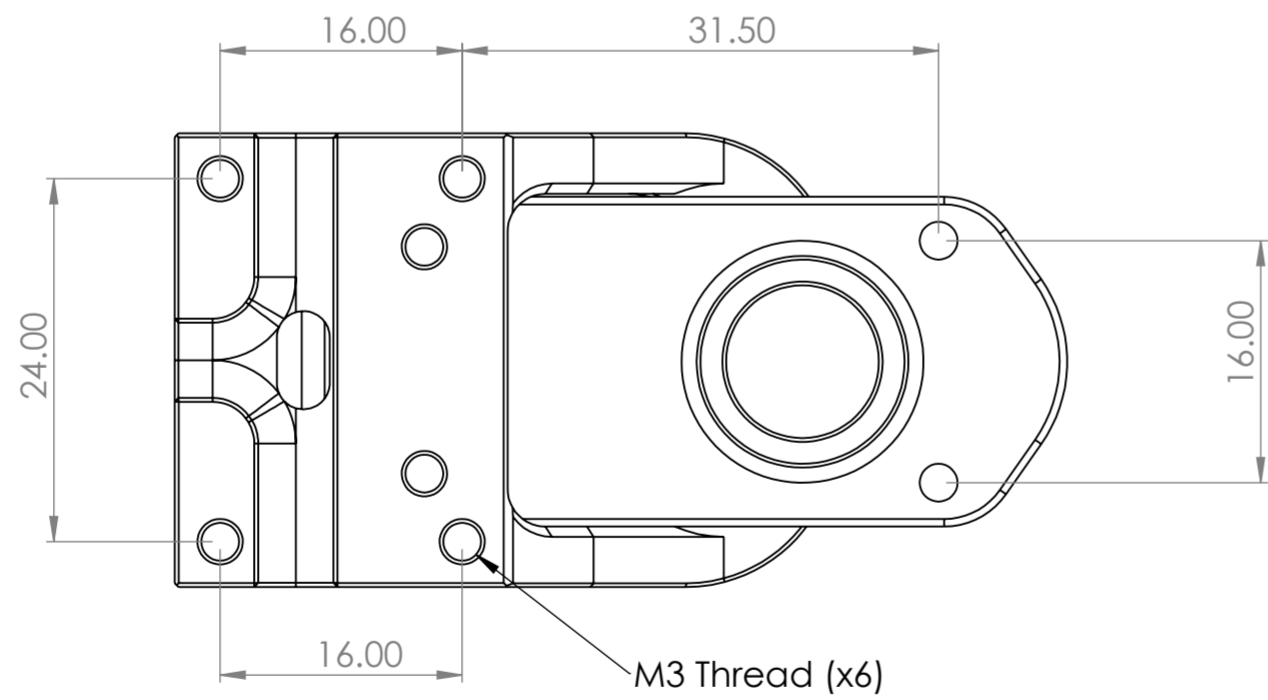
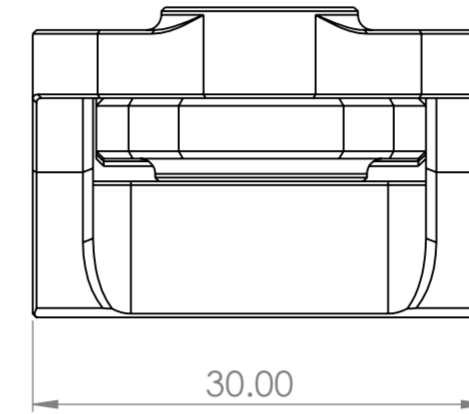
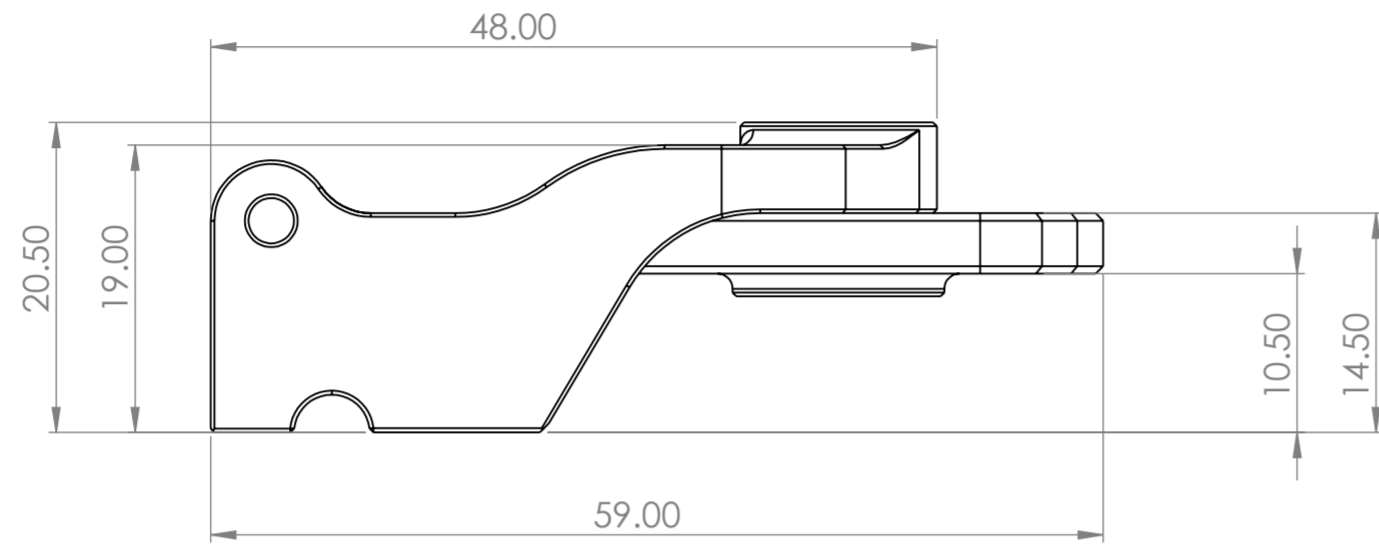
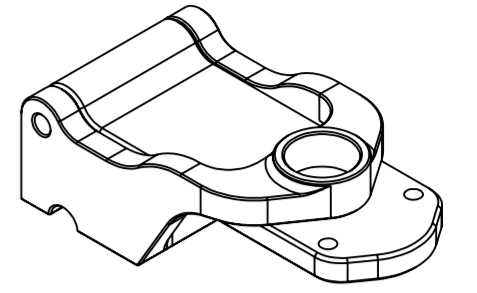



DomiWorks Engineering AB

Universal Paddle Shifter

All dimensions are metric (mm)



UNLESS OTHERWISE SPECIFIED: DIMENSIONS ARE IN MILLIMETERS			FINISH:		DEBURR AND BREAK SHARP EDGES		DO NOT SCALE DRAWING		REVISION			
SURFACE FINISH:												
TOLERANCES:									DWG NO. Paddle Shifter Dimensions		A2	
LINEAR:												
ANGULAR:												
DRAWN			NAME		SIGNATURE				DATE			
CHK'D												
APPV'D												
MFG												
Q.A							MATERIAL:					
							WEIGHT:		SCALE:2:1			
									SHEET 1 OF 1			