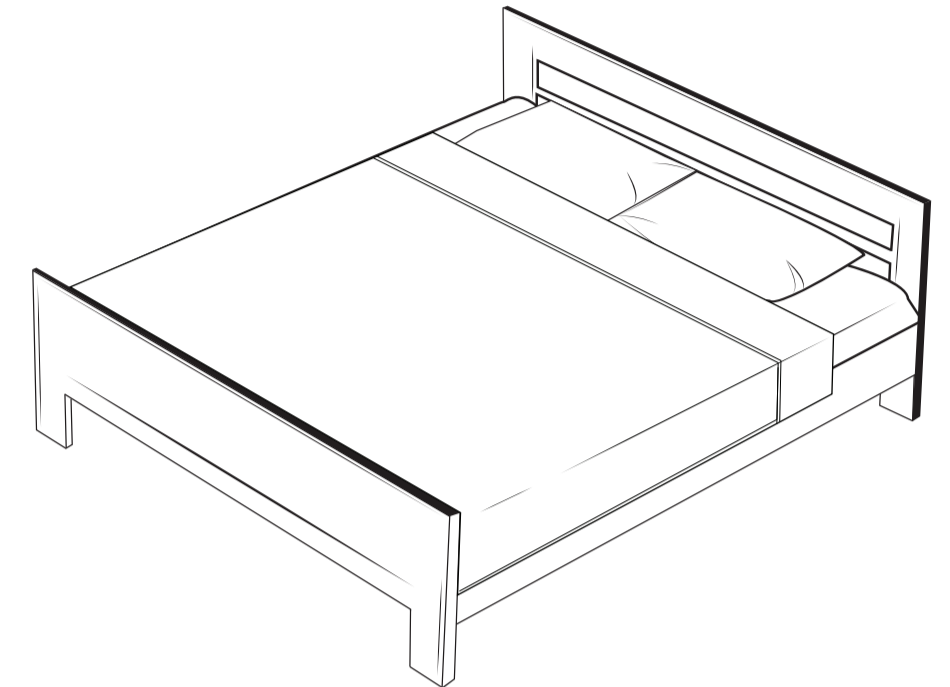
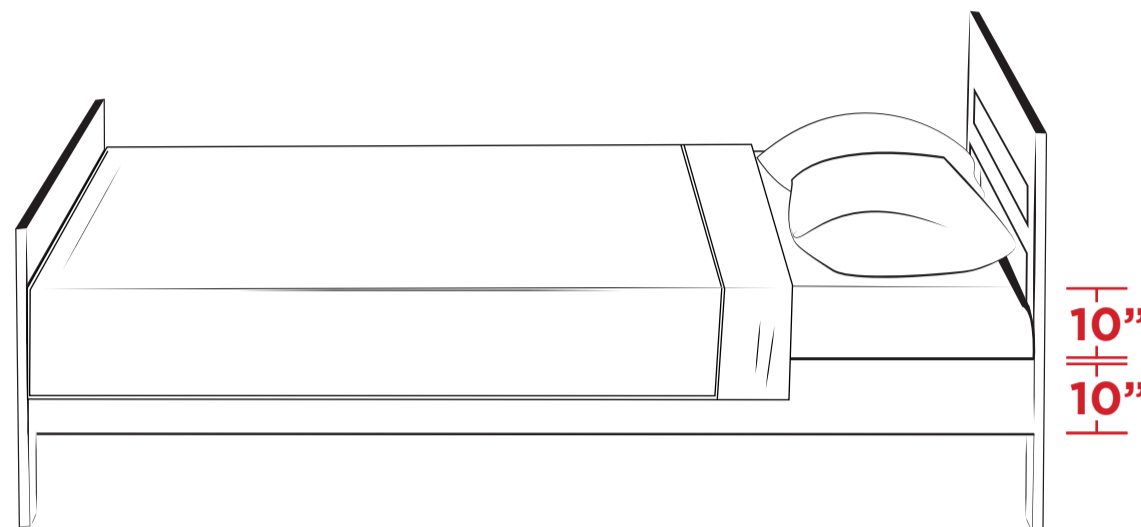
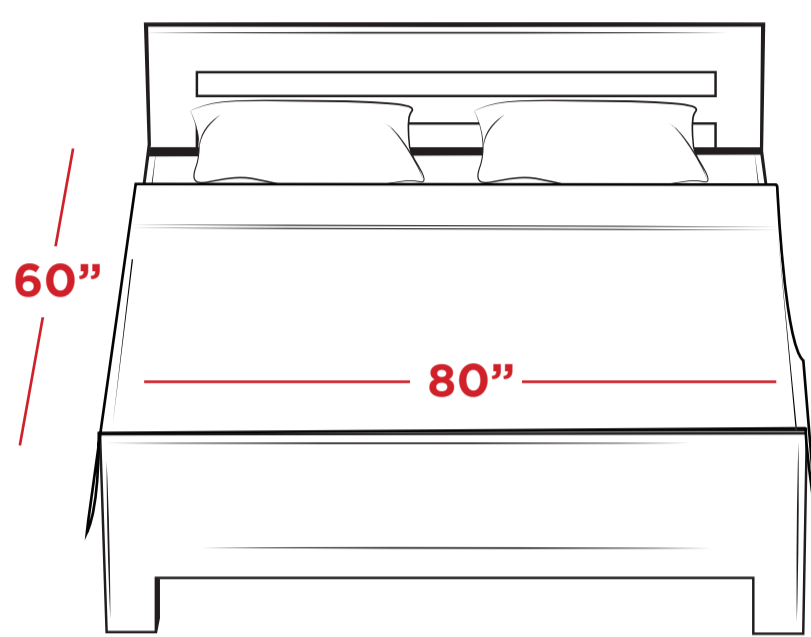


# Blanket Sizes On Queen Mattress

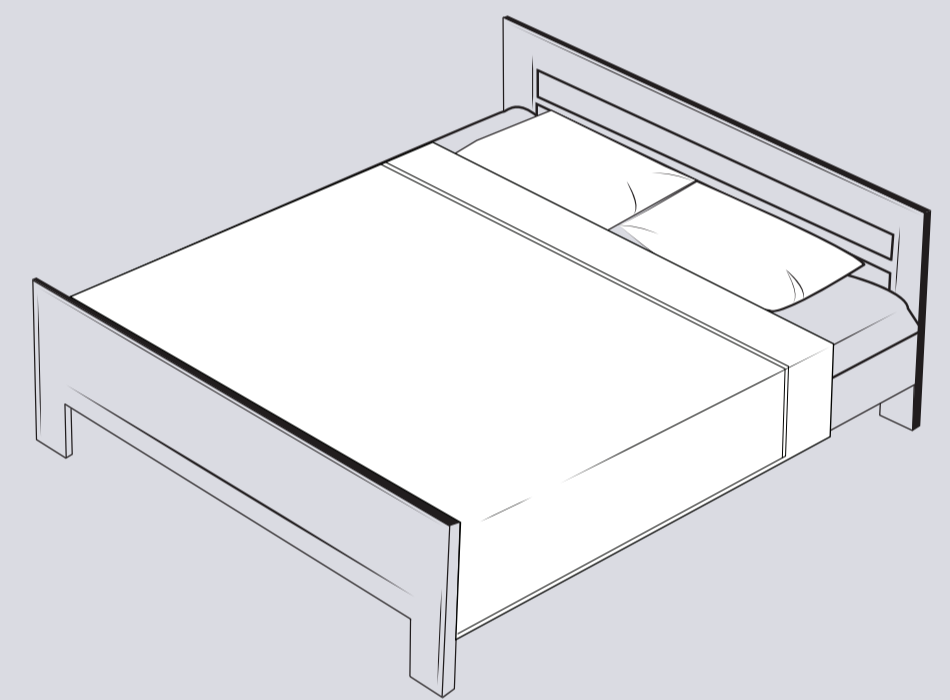
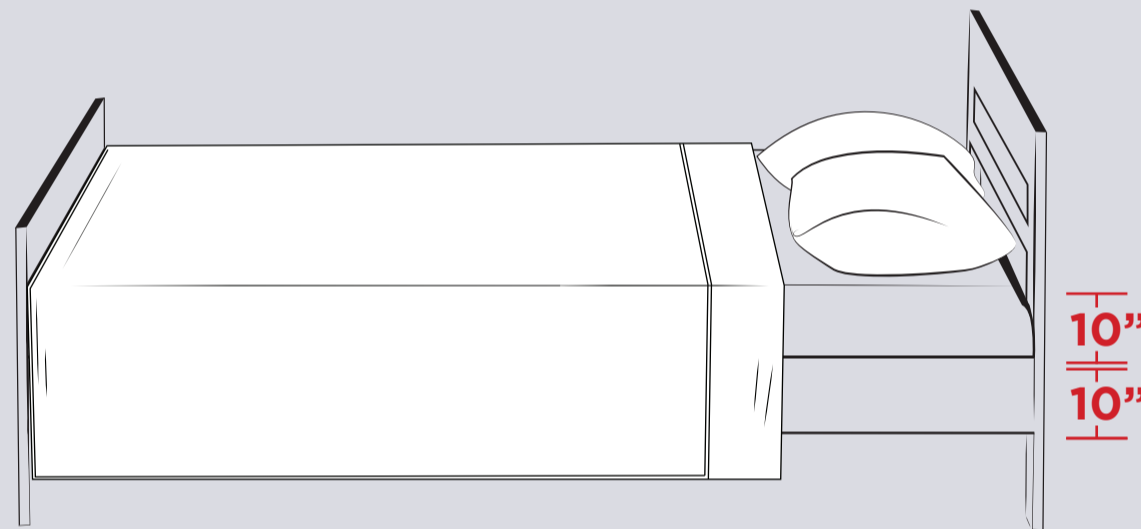
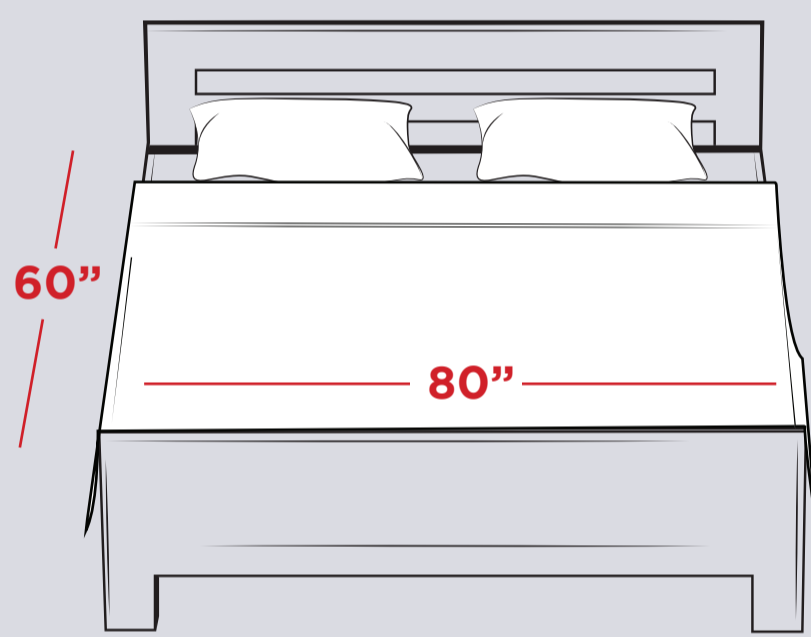
60" x 80"\*

\*Based on 10" Thick Standard Mattress Sizes For all other thicknesses please judge accordingly.

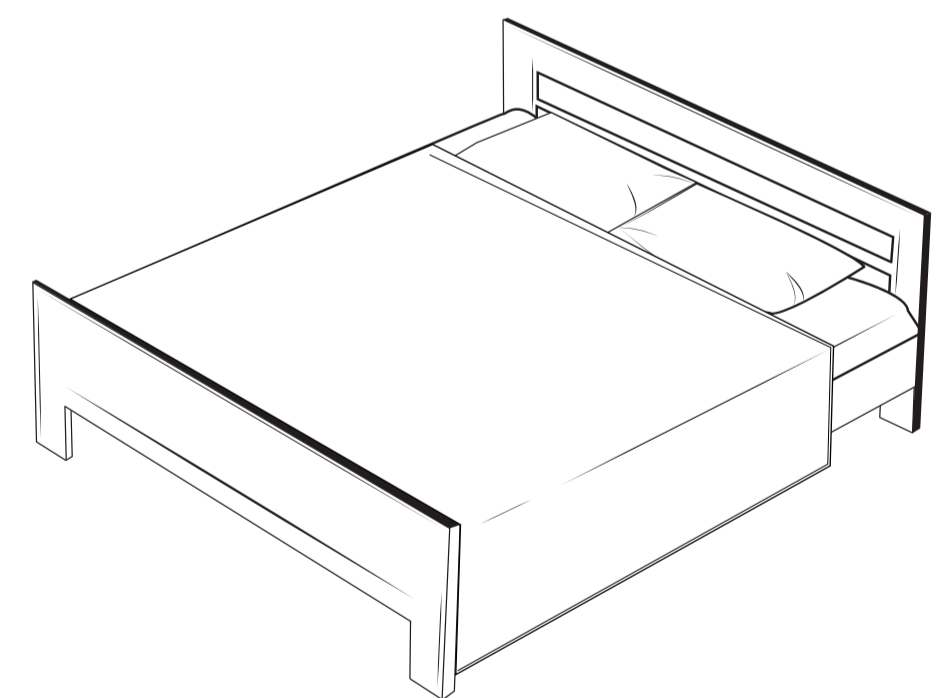
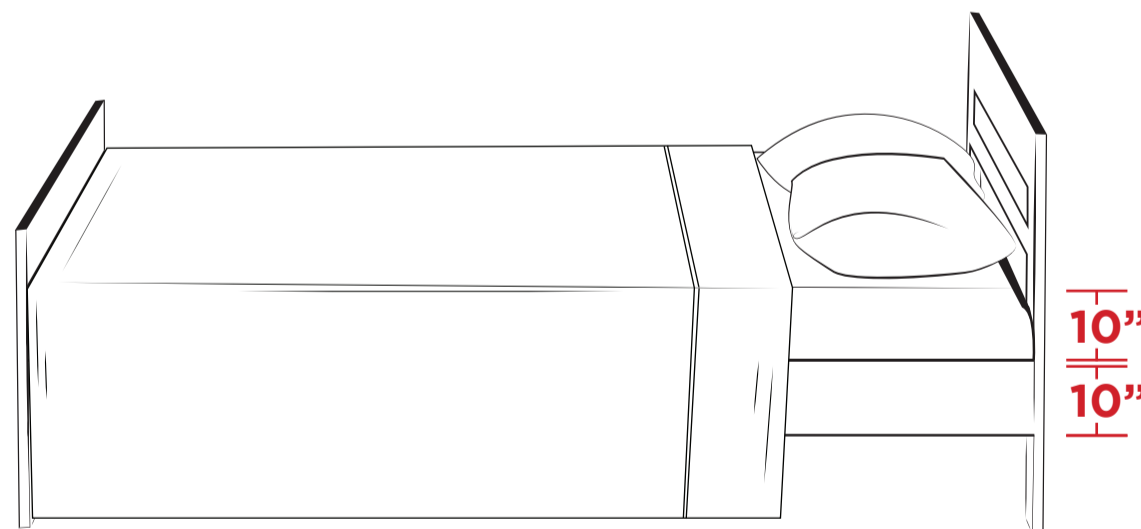
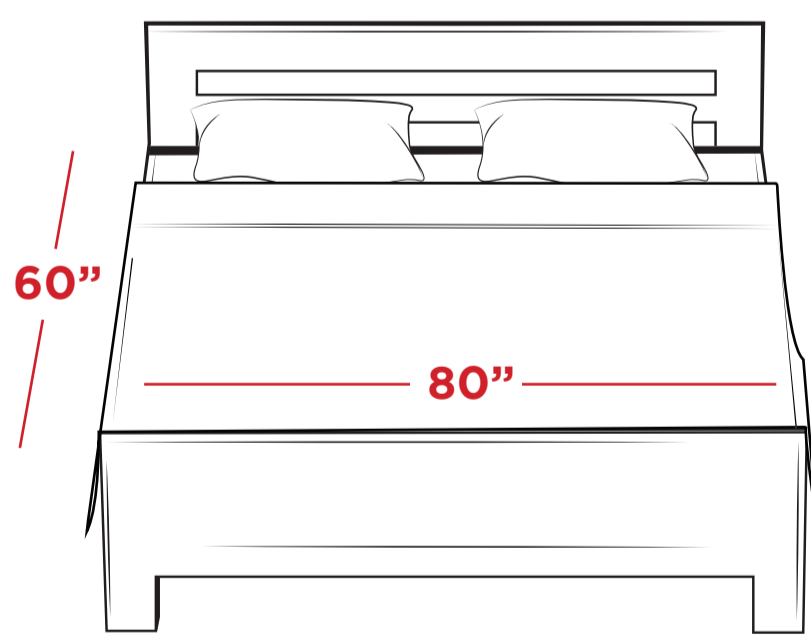
- Full/Queen Sized Blankets: 90"x88"  
15" Overhang on both sides.



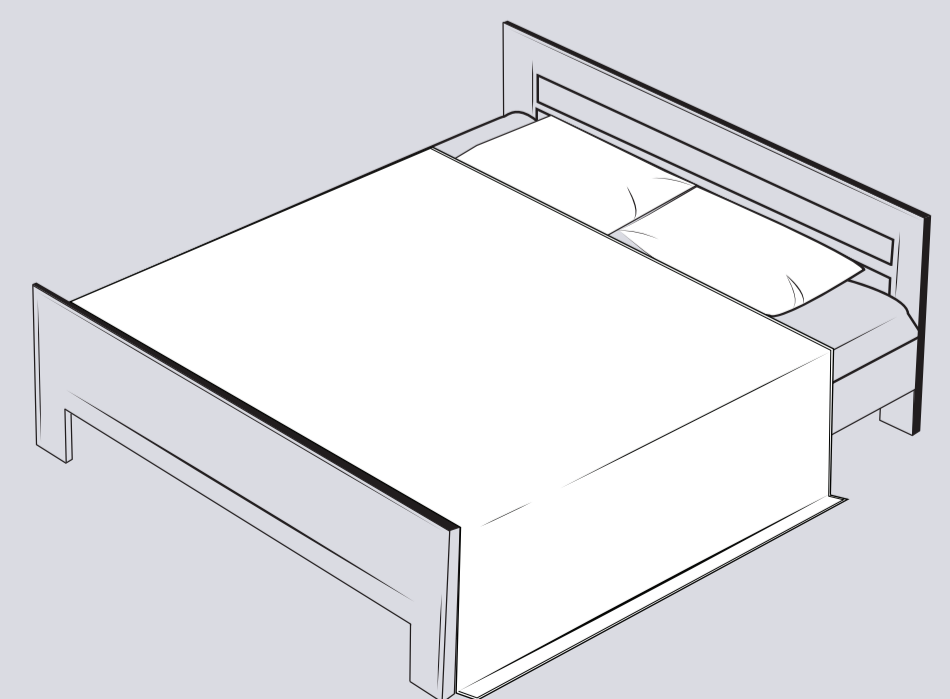
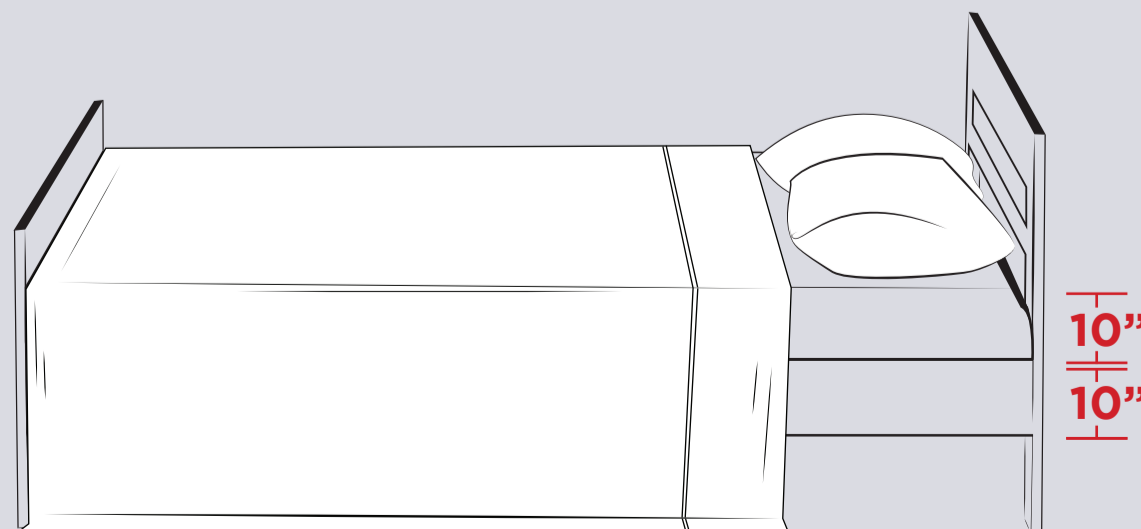
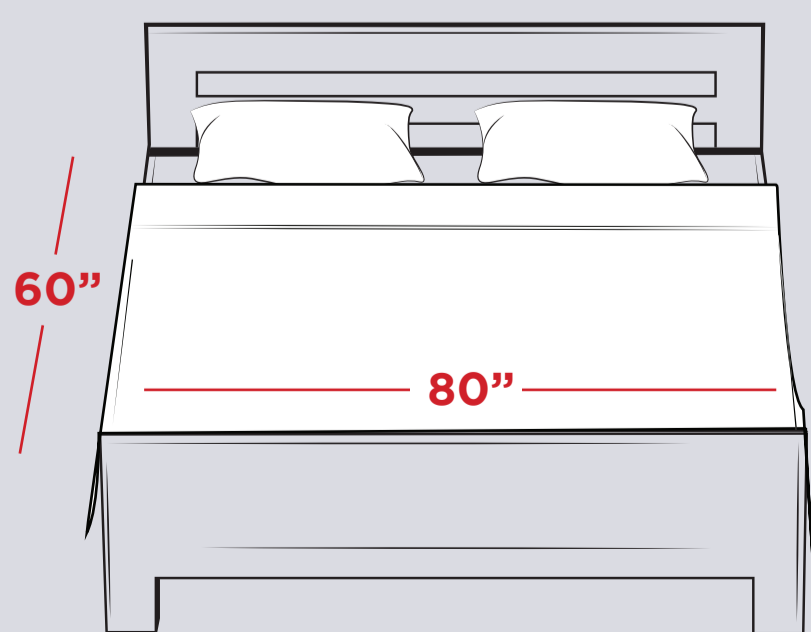
- King Sized Blankets: 108"x88"  
24" Overhang on both sides.



- Oversized King Sized Blankets: 120"x88"  
30" Overhang on both sides. Will end up bunching on the floor depending on height of bed-frame and mattress thickness.



- Extra Oversized King Sized Blankets: 130"x88"  
35" Overhang on both sides. Will end up bunching on the floor depending on height of bed-frame and mattress thickness.

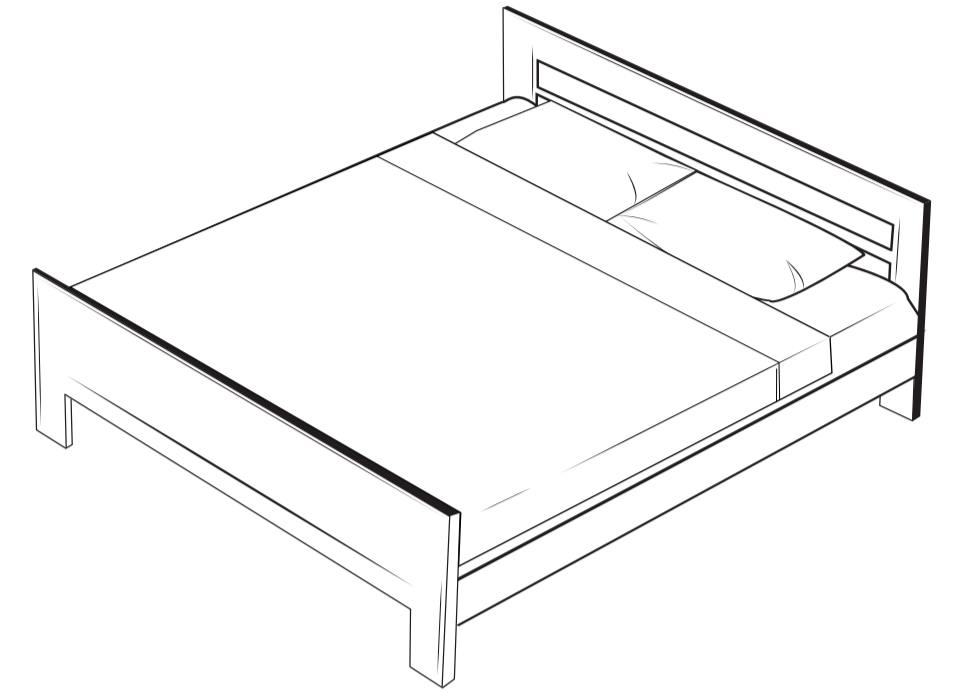
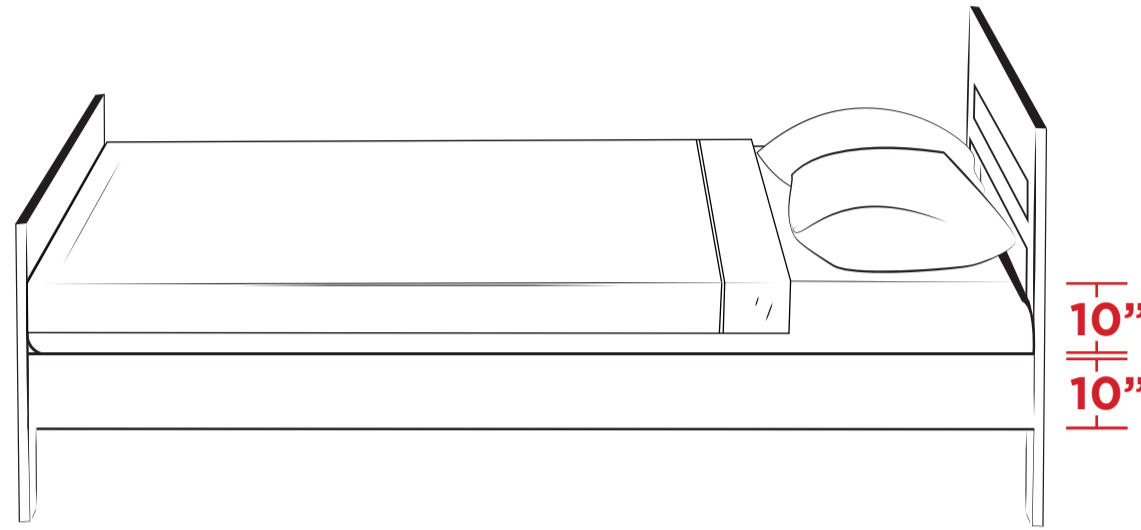
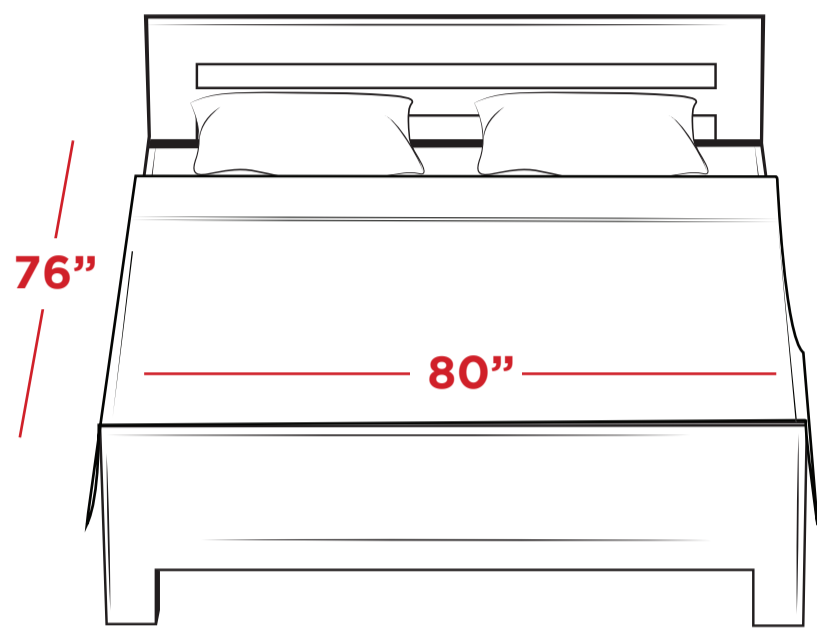


# Blanket Sizes On King Mattress

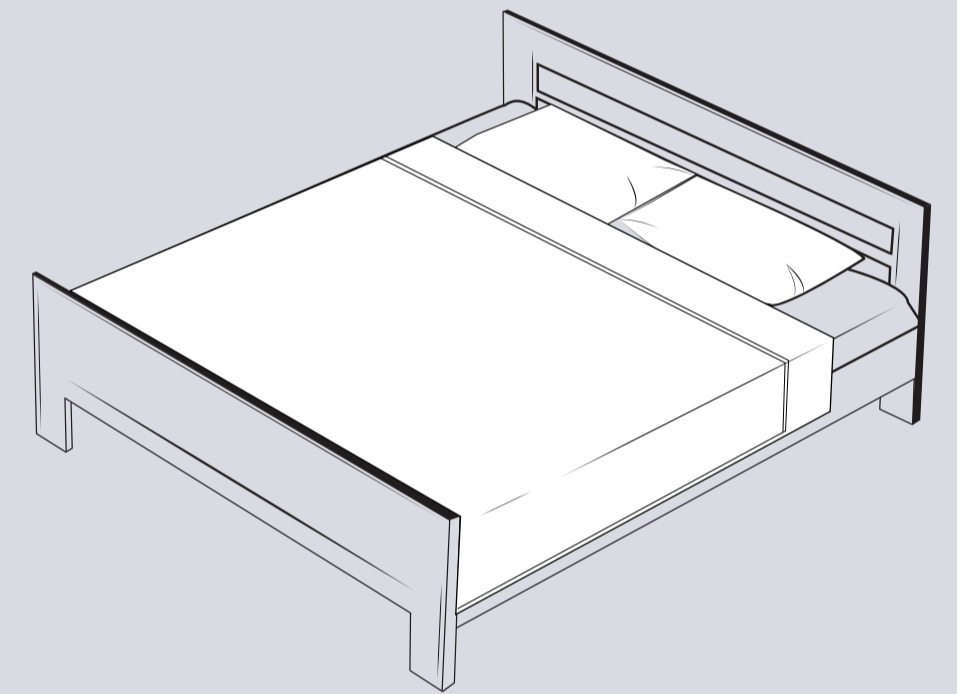
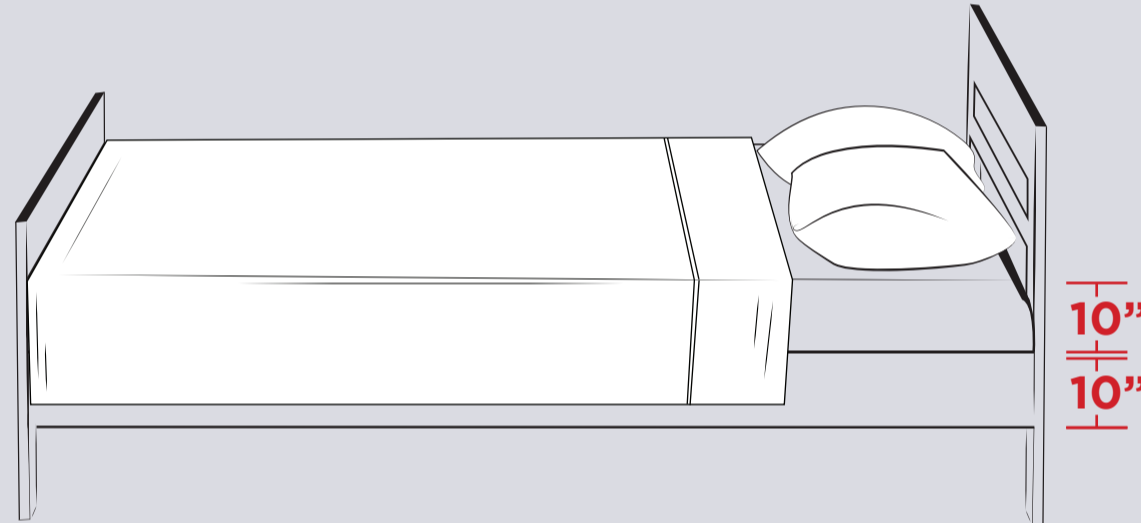
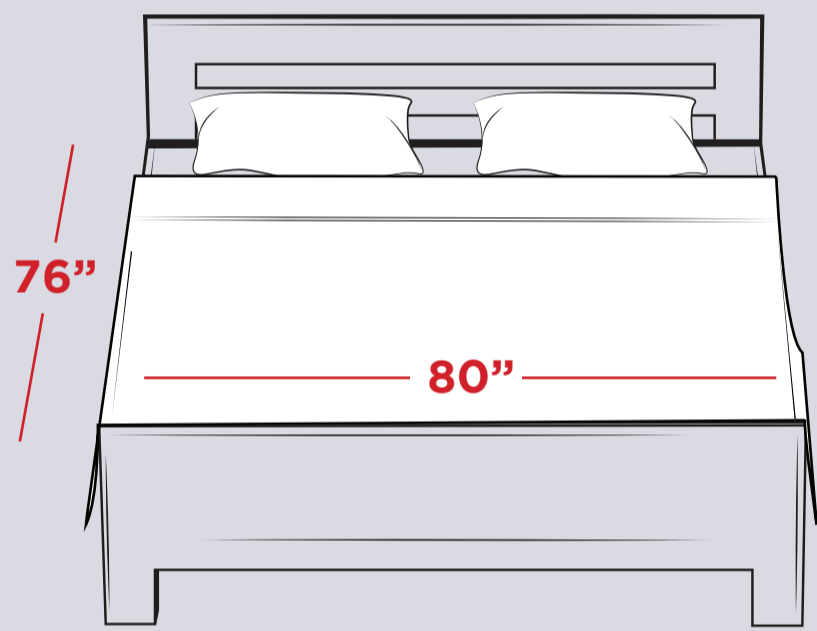
76" x 80"\*

\*Based on 10" Thick Standard Mattress Sizes For all other thicknesses please judge accordingly.

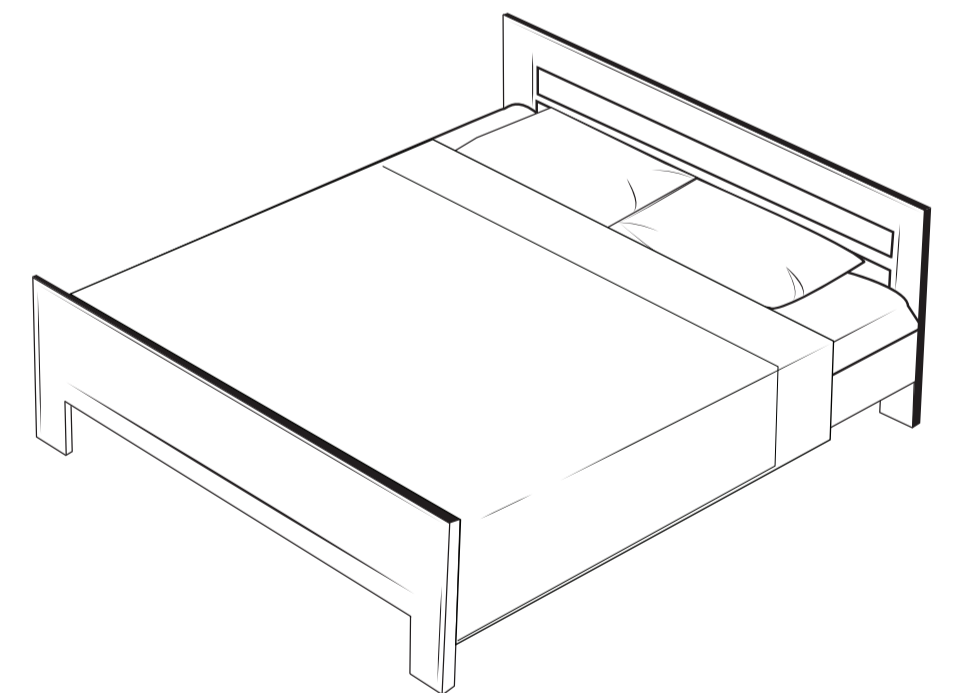
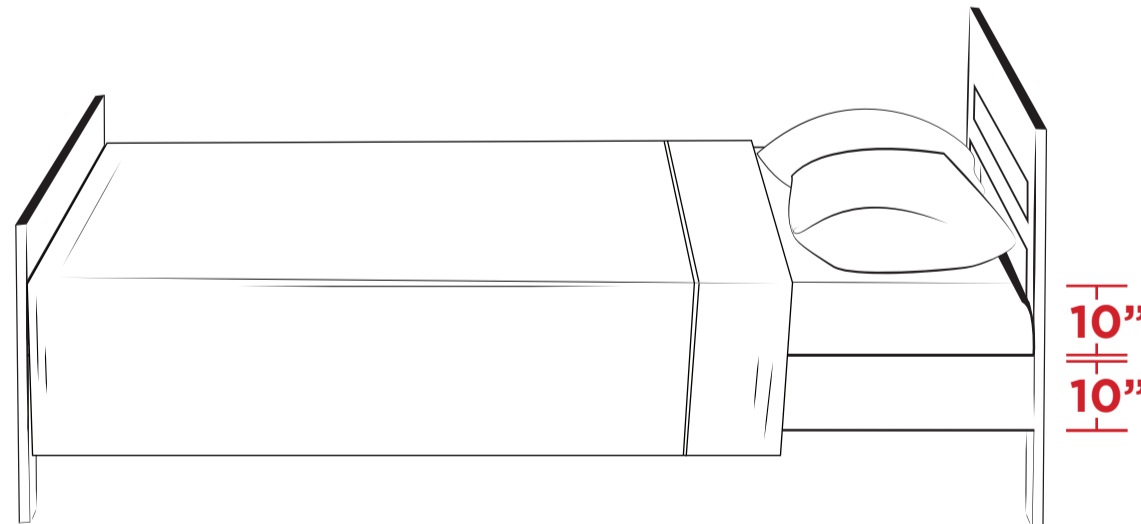
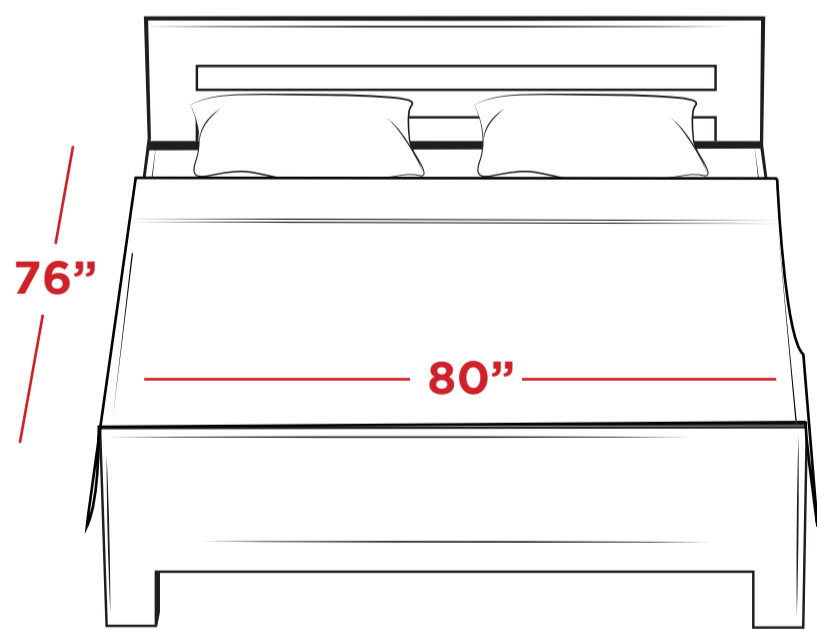
- Full/Queen Sized Blankets: 90"x88"  
7" Overhang on both sides.



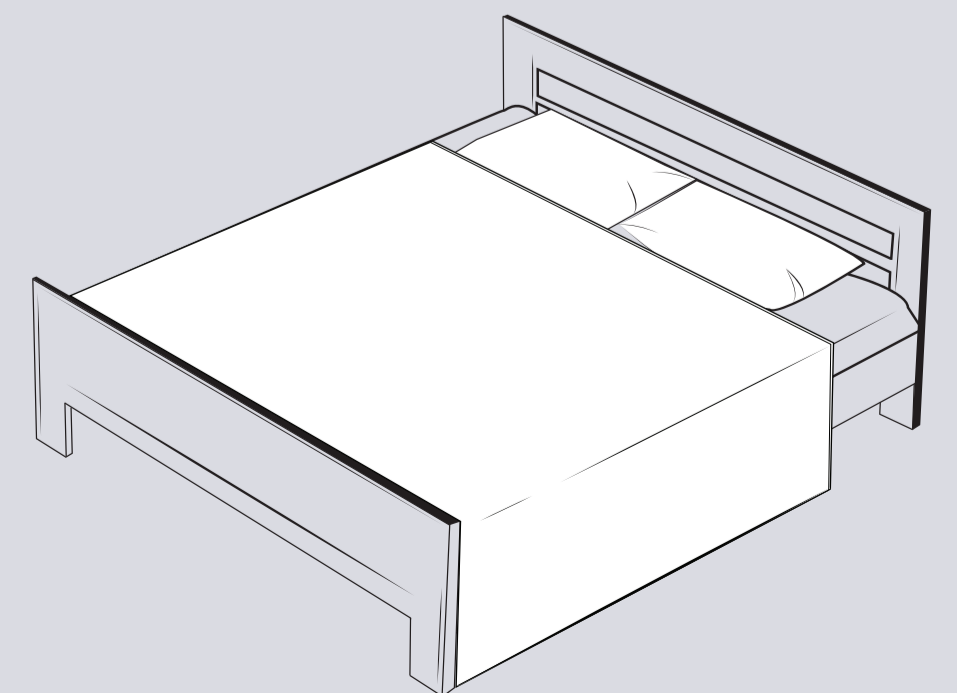
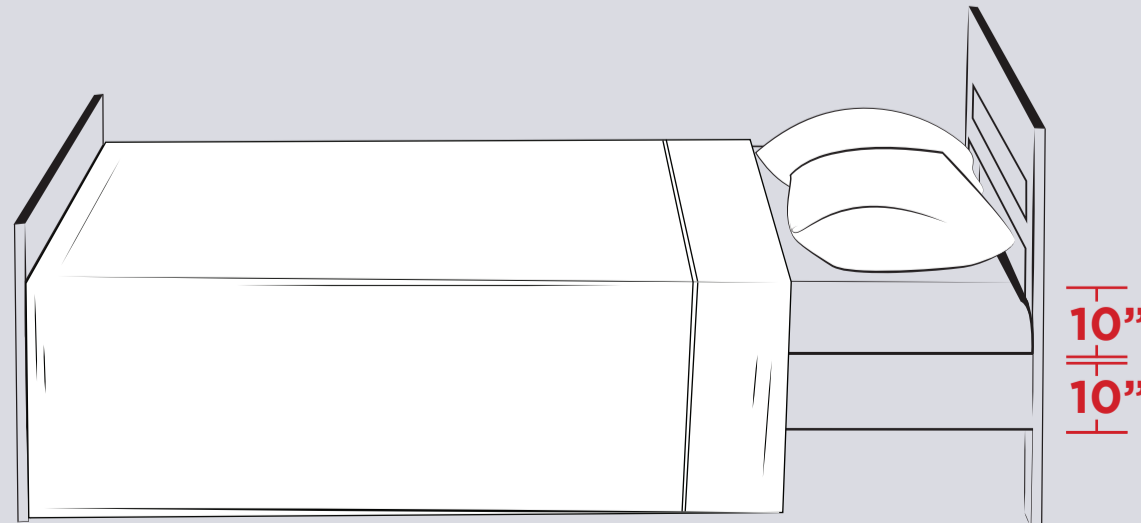
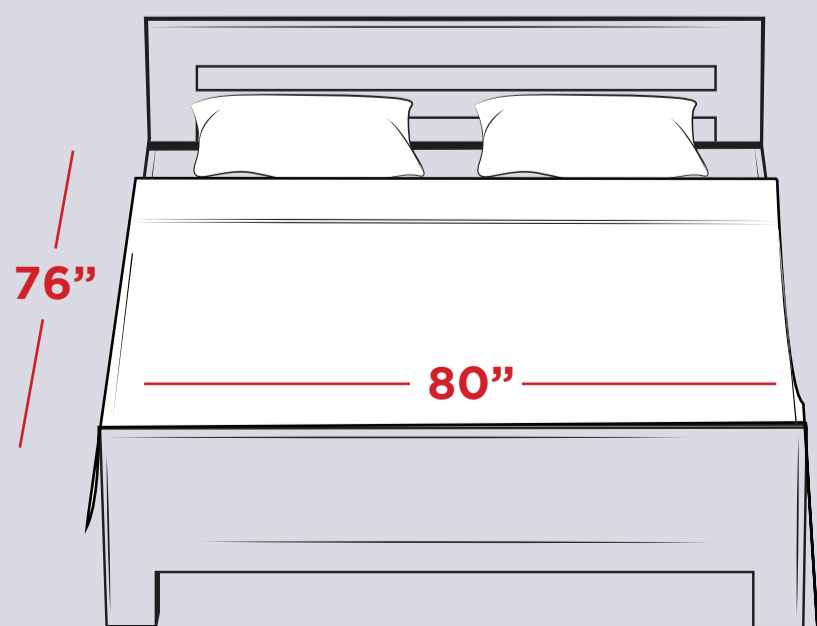
- King Sized Blankets: 108"x88"  
16" Overhang on both sides.



- Oversized King Sized Blankets: 120"x88"  
22" Overhang on both sides



- Extra Oversized King Sized Blankets: 130"x88"  
27" Overhang on both sides. Will end up bunching on the floor depending on height of bed-frame and mattress thickness.

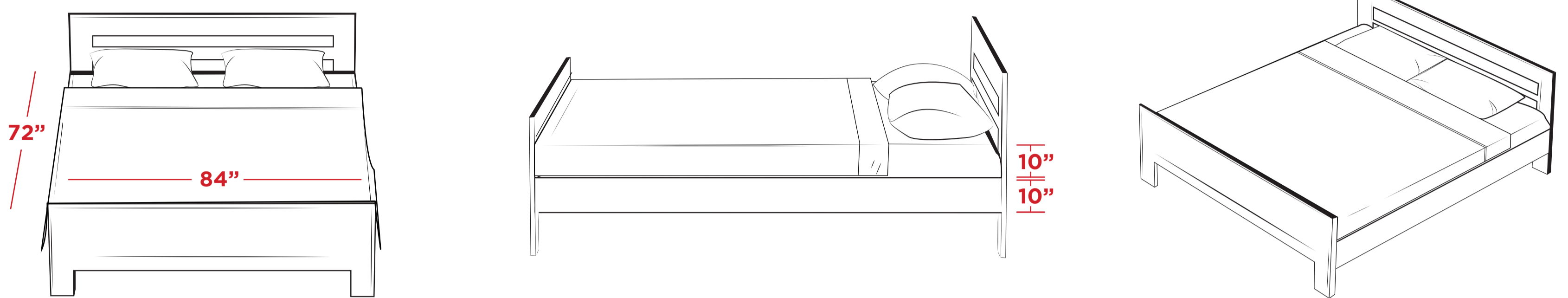


# Blanket Sizes On Cali. King Mattress

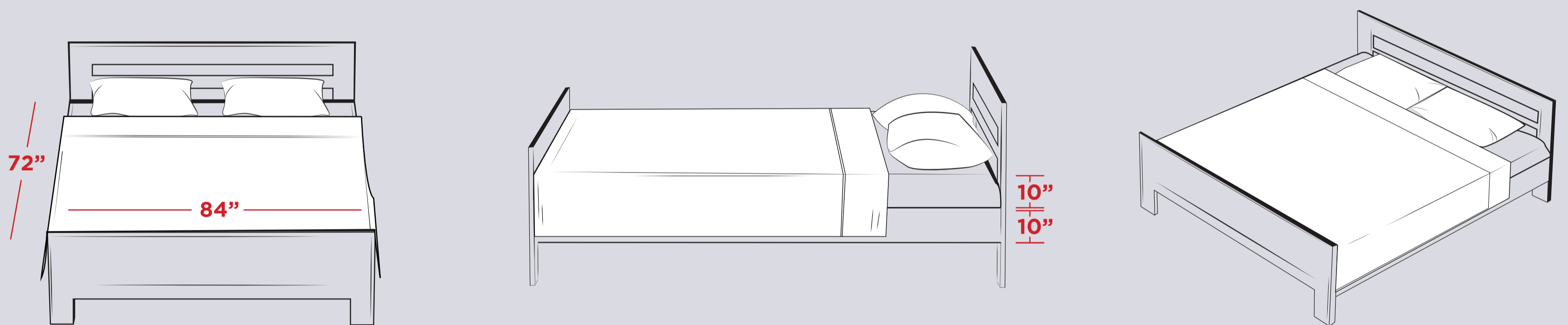
## 72" x 84"\*

\*Based on 10" Thick Standard Mattress Sizes For all other thicknesses please judge accordingly.

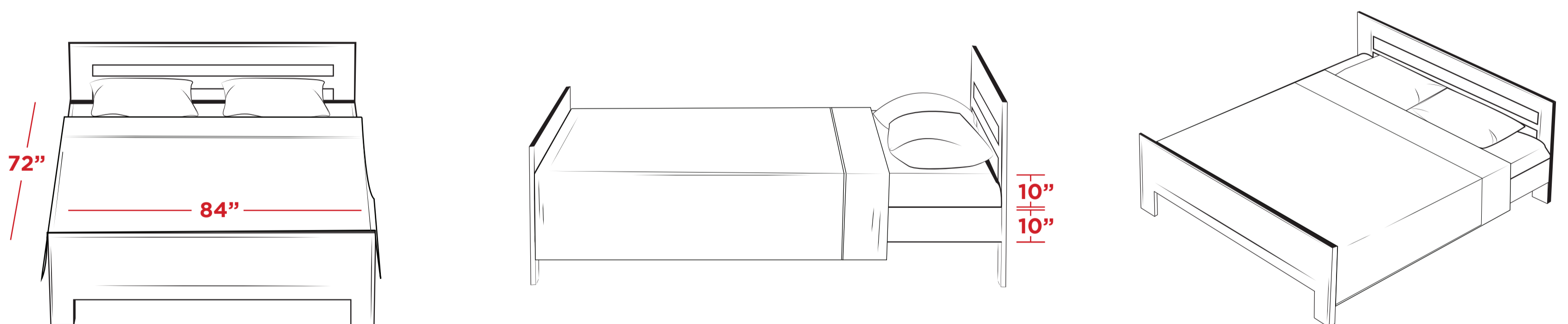
- Full/Queen Sized Blankets: 90"x88"  
9" Overhang on both sides



- King Sized Blankets: 108"x88"  
18" Overhang on both sides,



- Oversized King Sized Blankets: 120"x88"  
24" Overhang on both sides



- Extra Oversized King Sized Blankets: 130"x88"  
29" Overhang on both sides. Will end up bunching on the floor depending on height of bed-frame and mattress thickness.

