



1500 CONTRACTORS BURNISHER SAFETY, OPERATION & MAINTENANCE MANUAL W/PARTS LIST

This unit is intended for commercial use.

READ & FOLLOW ALL INSTRUCTIONS, WARNINGS & CAUTIONS BEFORE USING THIS BURNISHER

This burnisher will afford you many years of trouble free operating satisfaction if it is given proper care. All parts have passed rigid quality control standards before being assembled to produce the finished product. Prior to packaging, the units again inspected for assurance of flawless assembly.

Your burnisher was protectively packed to prevent damage in shipment. We recommend that upon delivery, remove the unit from its carton and carefully inspect it for any possible damage in transit.

If damage is discovered, immediately notify the transportation company that delivered your burnisher. As a shipper, we are unable to act upon any claim for concealed damage. You must originate any claim within 5 days of delivery.

These instructions are for your protection and information. **PLEASE READ CAREFULLY!** Failure to follow these precautions could result in injury or discomfort.

READ ALL INSTRUCTIONS BEFORE OPERATING

SAVE THESE INSTRUCTIONS

IMPORTANT SAFETY INSTRUCTIONS



WARNING:

To reduce the risk of fire, electric shock or injury:
When using an electric burnisher, basic precautions should
always be following, including the following:

- 1) **DO NOT** leave burnisher plugged in when not in use. Unplug from outlet when not in use and before servicing.
- 2) Electric shock could occur if exposed to rain. Store indoors.
- 3) This is **NOT** a toy. Close attention is necessary when used around or near children.
- 4) Use only as described in this manual. Use only manufacturer's recommended attachments.
- 5) **DO NOT** use with damaged cord plug. When burnisher is not working as it should because it has been dropped, damaged, left outdoors, or dropped into water, contact the manufacturer or authorized service center.
- 6) **DO NOT** pull or carry by the cord, use power cord as a handle, close a door on cord, or pull cord around sharp edges or corners. **DO NOT** run burnisher over cord. Keep cord away from heated surfaces.
- 7) **DO NOT** handle the burnisher plug with wet hands.
- 8) **DO NOT** unplug by pulling on the cord. To unplug, grasp the plug, not the power cord.
- 9) **DO NOT** put any objects into motor openings.
- 10) Keep hair, loose clothing, fingers and all parts of body away from moving parts.
- 11) **DO NOT** operate where oxygen or anesthetics are used.
- 12) **DO NOT** use around flammable or combustible liquids such as gasoline or use in areas where they may be present.
- 13) **DO NOT** use an extension cord unless absolutely necessary. If an extension cord is used, then wire size must be #14 gauge or thicker and should not exceed 50 feet in length. Extension cord must be three-wire type to insure grounding protection.
- 14) Replace damaged or worn parts immediately with genuine original equipment parts to maintain safety and to protect your limited warranty.

GROUNDING SAFETY INSTRUCTIONS



DANGER:

Improper use of the grounding plug can result in a risk of electric shock.

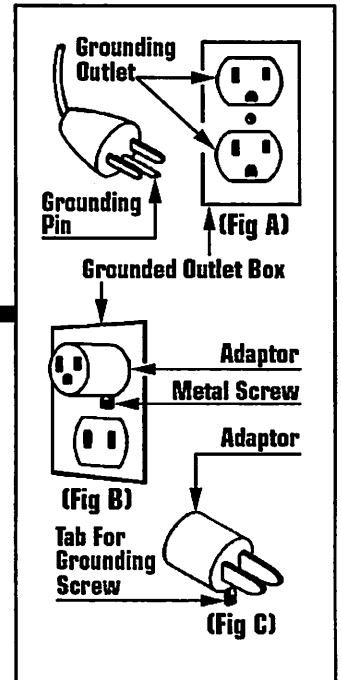
This burnisher must be grounded. If it should malfunction or breakdown, grounding provides a path of least resistance for electrical current to reduce the risk of electric shock. The burnisher is equipped with a cord having an equipment-grounded plug. The plug must be inserted into an appropriate outlet that is properly installed and grounded in accordance with all local codes and ordinances

If repair or replacement of the cord or plug is necessary, **DO NOT** connect the grounding wire to either flat blade terminal. The wire with insulation having an outer surface that is green with or without yellow stripes is the grounding wire.

GROUNDING METHODS

This burnisher is for use on a nominal 120 volt circuit, and has a grounding plug that looks like the plug illustrated in (Fig A). A temporary adaptor that looks like the adaptor illustrated in (Fig B & C) may be used to connect the plug to a 2-pole receptacle as shown in (Fig A) if a properly grounded outlet is not available.

The temporary adaptor should be used only until a properly grounded outlet (Fig A) can be installed by a qualified electrician. The green color rigid ear, lug, or the like extending from the adaptor must be connected to a permanent ground such as a properly grounded outlet box cover. Whenever the adaptor is used, it must be held in place by the metal screw (Fig C).



WARNING:

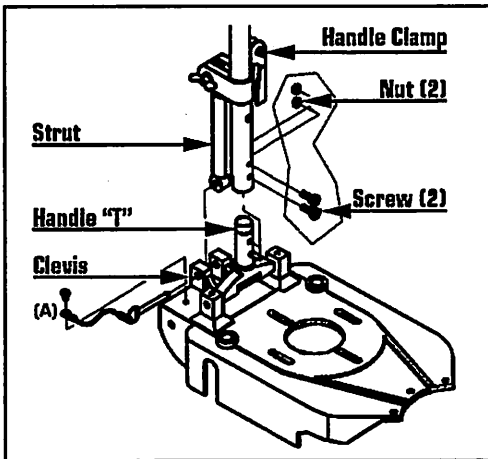


Improper connection of the equipment-grounding conductor can result in a risk of electrical shock. Check with a qualified electrician or service person if you are in doubt as to whether the outlet is properly grounded.

DO NOT modify the plug provided with the burnisher. If it will not fit the outlet, have a proper outlet installed by a qualified electrician.

NOTE:

In Canada, the use of a temporary adaptor is not permitted by the Canadian Electrical Code.

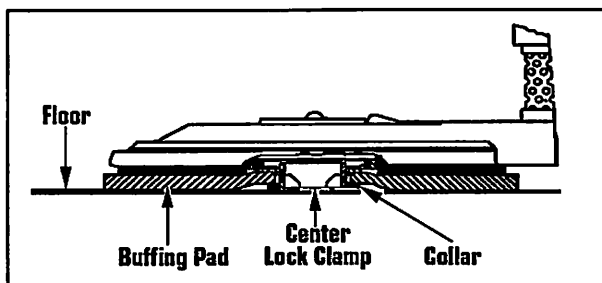


To Attach Handle

- 1) Remove burnisher chassis and handle assembly for the carton.
- 2) Using screws #353272 and nuts #354791, insert one screw into each hole and secure with nuts on opposite side of handle tube. **DO NOT** over-tighten nuts, this will deform the handle tube.
- 3) Slide the handle assembly over handle "T" on the chassis making sure the line cord is towards back of burnisher and loosen handle clamp.
- 4) Remove speed-pin (A) from clevis. Line up strut with clevis and insert speed-pin (A) thru clevis and strut.

This burnisher is shipped without the handle attached to the chassis. The hardware kit (#372811) contains the necessary parts to attach the handle to the burnisher.

HANDLE ASSEMBLY INSTRUCTIONS



The floor pad packed with this burnisher **MUST BE** attached to pad driver before operating the unit.

To Install Pad:

- 1) Remove center cut-out from floor pad
- 2) Tilt burnisher back on the rear wheel and unscrew center lock clamp pad retainer by turning counterclockwise in "**OPEN**" position.
- 3) Center pad on center lock clamp or collar

with hair side down for optimum finish.

- 4) Secure pad to pad driver by turning center lock clamp clockwise in the "**CLOSE**" position until it is locked in position.

DO NOT OPERATE the pad driver without the pad securely in place to avoid damage to the floor and/or burnisher.

FLOOR PAD INSTALLATION

OPERATING INSTRUCTIONS



WARNING:

To avoid fire, **DO NO** use with a flammable or combustible liquid to clean a floor.

This burnisher can be used in conjunction with any of the ultra high speed chemical systems. It is mandatory, however, that the floor be prepared as directed by the chemical manufacturer. This will eliminate a possibility of damage to floor due to the burnishers high speed.

The burnisher is pre-set at the factory for use with a 1" thick buffing pad (1 shpd w/unit). The rougher hair surface is preferred for high luster floor finishing.

1) Before operating this burnisher, check to see that the buffing pad is properly centered on driver and that center pad lock is tight on pad.

2) When operating the burnisher it **MUST** be kept moving, as holding machine stationary while running will result in damage to floor and floor finish.

3) Begin operating the burnisher at the closest point to your electrical outlet and work away from the outlet. This will prevent running over the electric cord.

4) Operate the burnisher in a straight-line path and avoid continuous operation in one spot.

5) Never leave burnisher resting on buffing pad for an extended period of time. This will cause buffing pad to lose its normal shape, causing wobbling or vibration and pad must be replaced. Also, replace pad if glazed, clogged, torn or shredded.

6) The rear wheels on the burnisher are factory-set for low amp rating and high luster burnishing with buffing pad. See instruction sheet.

7) A carbon brush wear indicator warning light is located on the motor canopy. When lit, motor carbon brushes must be replaced within 20 hours running time to prevent damage to motor. See instruction sheet.

If burnisher wobbles, vibrates or pulls, follow these instructions:

1) This burnisher is factory adjusted and set to operate between 13.2 and 14 amps.

2) Never leave burnisher resting on floor pad overnight. This will cause the pad to lose its normal shape, causing wobbling and vibration. Check pad for unevenness and change is necessary.

3) Before turning burnisher on, run tip of finger between outside of pad and floor.

The outer ring face should be in full contact with the floor in order for high speed buffing to be most effective. If necessary change pad.

4) If steps 2 and 3 do not correct the problem, a certified technician should reset rear wheels, of the burnisher as follows:

Untighten the allen bolts #422924, located in the back of the burnisher on the outrigger. The body is raised when the bolt is turned to the right and lowered when turned to the left.

If the Burnisher Has:

Forward Pull: Raise left side only

Backward Push: Raise right side only

Right Pull: Lower Both sides equally

Left Pull: Raise both sides equally

After adjustments have been made the technician must check the amp draw keeping it within the 13.2 - 14 amp, factory specifications. Failure to do so may cause the unit to draw excessive current and damage the burnisher.

CARBON WEAR WARNING LIGHT

This burnisher is equipped with a carbon brush wear indicator warning light, located in the motor canopy facing the operator. The instructions on the top surface of the motor canopy read as follows:

When the lamp is lit, the Motor Carbon Brushes must be replaced within 20 hours of service to prevent damage to the motor.

Carbon Brushes Part Nos:



CAUTION:

This burnisher is **NOT** a low speed floor machine. **DO NOT** use the burnisher for stripping or sanding of floors.

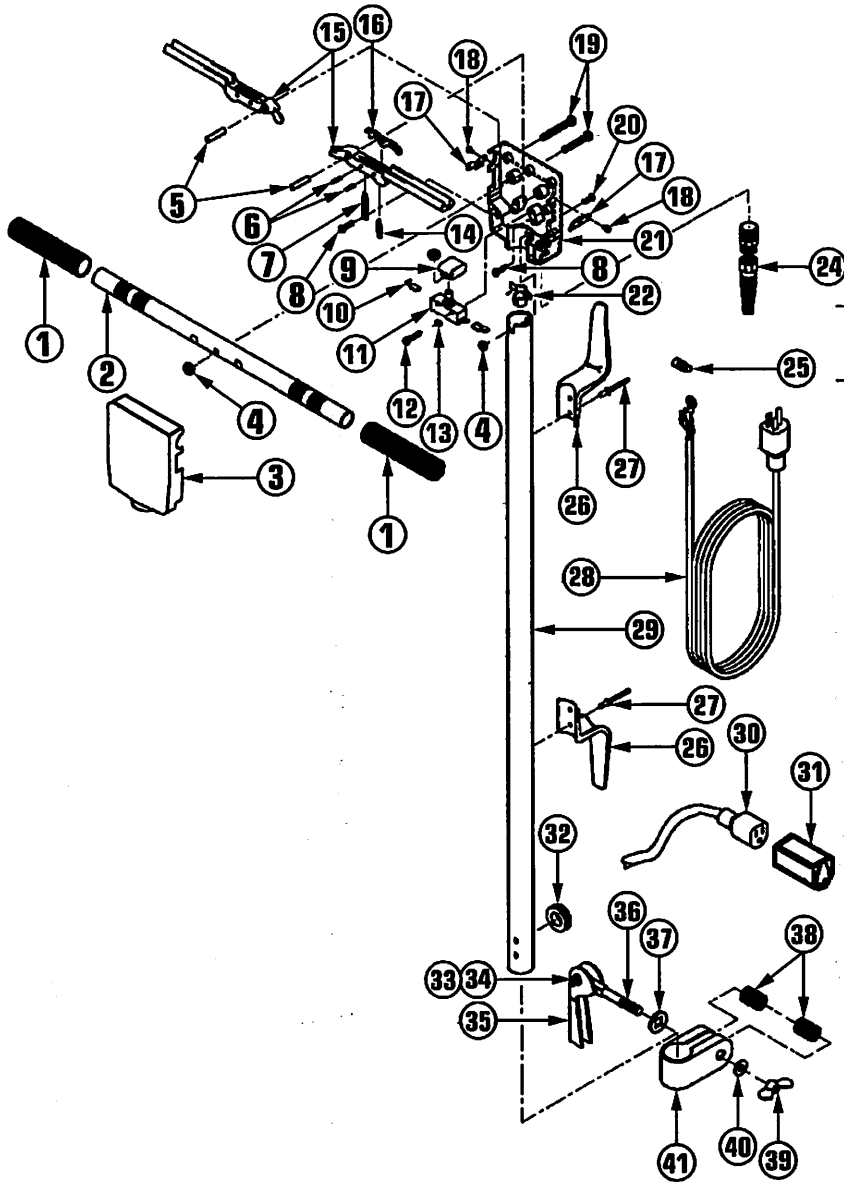
Imperial Motor: Part No 386790 (4)

Ohio Motor*: Part No 380083 (3)
& 316954 (1)

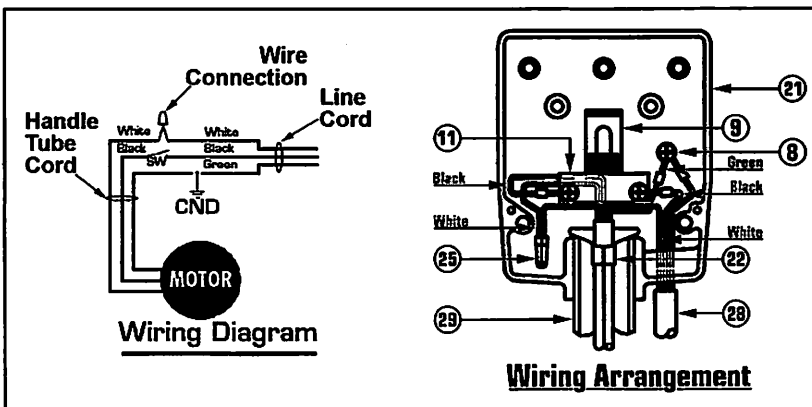
*Burnishers with Ohio Motors have "X" after the serial number.

Note: After replacing the second set of carbon brushes, the commutator of the armature may need to be undercut and the mica slotted. This should be done by an experienced motor repair shop.

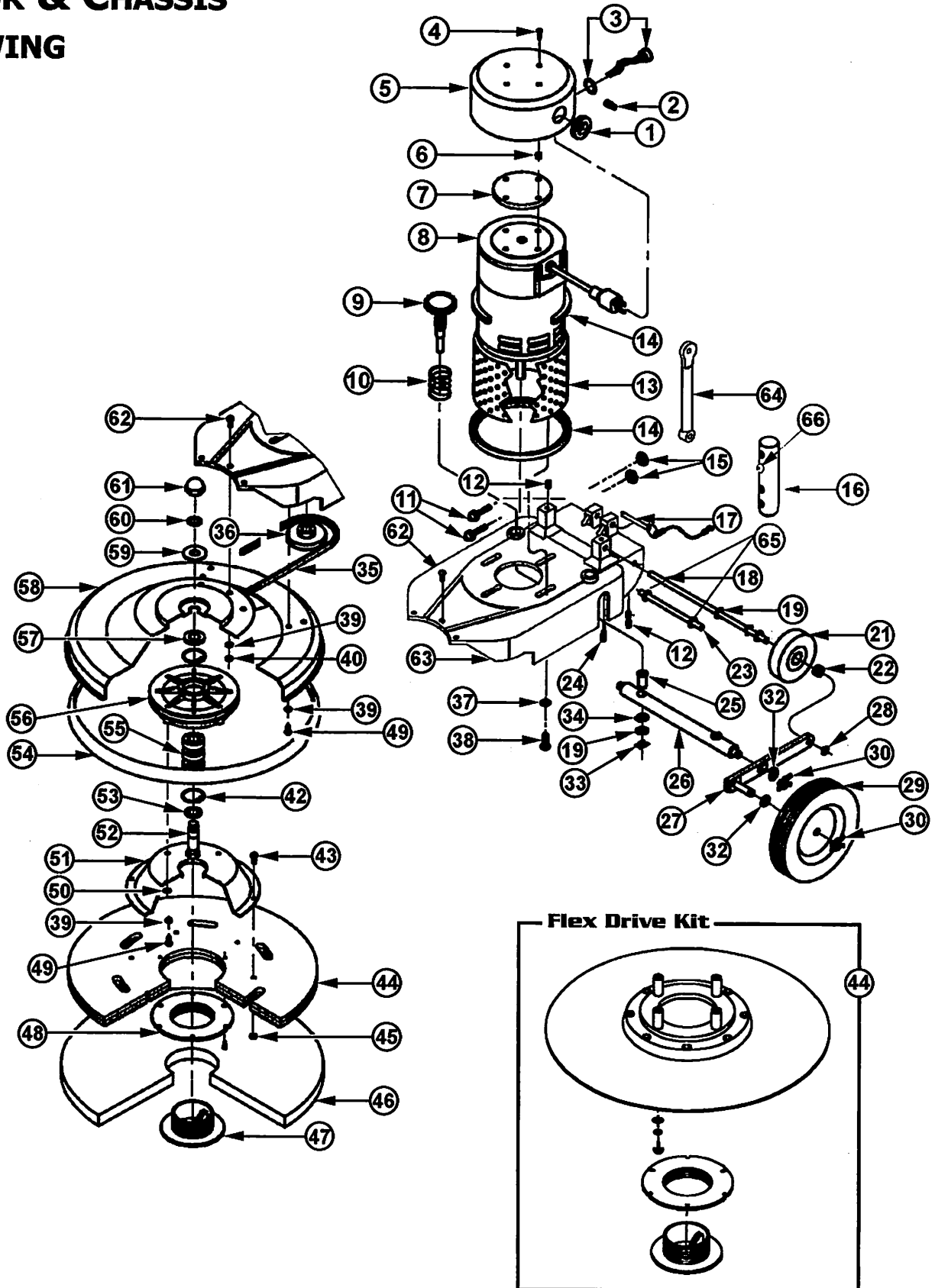
HANDLE ASSEMBLY DRAWING & REPLACEMENT PARTS LIST



Ref No	Part Description	Qty	Part No
	Handle Assembly	1	368393
1	Ribbed Handle Grip	2	324744
2	Handle Bar	1	376612
3	Switch Box Cover	1	469513
4	#12-24 Hex Nut	3	376744
5	Trigger Pin	2	376701
6	Roll Pin	4	383139
7	Extension Spring	2	376671
8	#8-32 X 1/4" Screw	3	367389
9	Leaf Spring	1	335584
10	Flag Terminal	2	379166
11	Switch	1	469629
12	#6-32 X 1" Switch Screw	2	335576
13	Internal Tooth Washer	2	355224
14	Trigger Lock Spring	2	383147
15A	Plastic Trigger	2	385654
15B	Plastic Trigger Kit	1	386839
16	Trigger Lock	2	390119
17	Reinforcing Plate	2	387169
18	#6-32 X 1/4" Screw	4	349402
19	#12-24 X 17/16" Screw	5	376760
20	#12-24 X 1/2" Screw	2	312746
21	Switch Box	1	469491
22	Cord Clamp	1	342890
24	Complete Strain Relief	1	352705
25	Wire Connector (Orange)	1	398985
26	Cord Hook	2	352845
27	Pop Rivet	4	318892
28	50 Ft, 14-3 Power Cord	1	376809
29	Handle Tube	1	376787
30	14-3 Handle Cable	1	430927
31	Grey Sleeve Connector	1	355844
32	Grommet	1	435252
33	Cap	1	380555
34	Lever Pin	1	382434
35A	Clamp Lever	1	380520
35B	Clamp Lever Kit (#37 - 38)	1	373249
35C	Clamp Lever Kit w/U-Clamp	1	380822
36	.37-16 X 3.37" Bolt	1	380504
37	Square Hole Flat Washer	1	382426
38	Spring	2	367184
39	Wing Nut	1	380490
40	3/8" Flat Steel Washer	1	353221
41	U Clamp	1	376051



MOTOR & CHASSIS DRAWING



MOTOR & CHASSIS REPLACEMENT PARTS LIST

Ref No	Part Description	Qty	Part No	Ref No	Part Description	Qty	Part No
1	Grommet	1	369330	38	3/8-16 X 1/2" Motor Bolt	4	368830
2	Electrical Wire Connector	2	385425	39	1/4" Split Washer	11	342858
3	Brush Wear Indicator Light	1	386448	40	Hex Nut	3	322377
4	Canopy Screw	4	380059	41	1/4-20 X 1/2" Screw	8	393916
5	Motor Canopy	1	247111	42	Bearing Retainer Ring	2	368628
6	Nylon Spacer	4	368784	43	1/4-20 X 7/8" Screw	6	380857
7	Canopy Foam Disc	1	368776	44A	Structural Foam Driver (MBS-1500E)	1	384585
8A	1 1/2 HP, 115V Motor	1	385662	44B	Complete Drive Assy (MBS-1500E)	1	303127
8B	1 1/2 HP, 230V Motor	1	374539	44C	Flex Drive Assembly (MBS-1500EF)	1	313068
9	Adjusting Shaft & Knob Assy	2	372188	45	Nylon Lock Nut	6	380784
10	Adjusting Spring	2	390356	46	20" Burnishing Pad	1	386960
11	5/16-18 X 1 1/2" Handle Bolt	2	353272	47A	Center Lock Clamp	1	239976
12	5/16-18 X 1/2" Set Screw	4	352861	47B	Center Lock Assembly	1	312827
13	Perforated Motor Screen	1	368814	48	Center Lock Base	1	239984
14	Perforated Screen Bumper	2	368822	49	1/4- 20 X 1/2" Screw	8	393916
15	5/16-18 Hex Nut	2	354791	50	Steel Washer	6	315435
16	Reinforced Tube	1	288497	51	Drive Pad Adaptor (MBS-1500E)	1	384607
17	Speed Pin Wire Assembly	1	345512	52	Bearing Bolt	1	374954
18	Axle Shaft	1	388807	53	Bottom Spacer	1	379344
19	3/8" Flat Washer	4	353221	54	Apron Bumper	1	441716
20	Spring Washer	3	353248	55	Bearing	3	368555
21	4" Rear Wheel	2	353191	56	Sheave & Bearing Casting	1	368636
22	Collar w/Set Screw	2	388815	57	Upper End Spacer	1	374997
23	"T" Axle Shaft	1	288705	58	20" Apron	1	368482
24	5/16-18 X 3/8" Set Screw	2	390275	59	Flat Steel Washer	1	374962
25	Brass Adjusting Bushing	2	369071	60	5/8" Lockwasher	1	367249
26	Height Adjustment Rod	1	388793	61	Acorn Nut	1	375276
27	Outrigger Assembly	2	422894	62	1/4- 20 X 3/4" Screw	3	342831
28	Retaining Ring	2	368946	63	Body Casting	1	373311
29	8" Rear Wheel	2	316059	64	Support Strut Casting	1	354570
30	Large "X" Retainer Washer	4	368997	65	Nylon Spacer	2	289280
32	1/2" Flat Washer	8	315435	66	Screw	1	307483
33	Small "X" Retainer Washer	2	371289				
34	Retaining Ring	2	369098	N/S	Sheave Kit	1	377899
35	V-Belt	1	388661	N/S	Carbon Brush Set	1	386790
36	Motor Pulley	1	388653	N/S	Rectifier Only	1	341991
37	3/8" Lockwasher	4	368849	N/S	Rectifier w/Compound	1	378321

CARE AND MAINTENANCE

This burnisher requires limited maintenance for proper operation and years of service.

- 1) After each use, wipe off all of the polished and painted areas with a clean cloth.
- 2) Check all bolts and screws at the switch box, handle and wheels. Tighten if they are loose and replace any that are broken.

3) Unplug burnisher and check power cord for and breaks in the wire. Breaks will most likely occur near the plug or switch. Any breaks should be repaired or replaced immediately.

4) When the burnisher is not in use, remove buffing pad, unplug power cord and wrap it around the cord hooks. Store in a dry area.

TROUBLE SHOOTING GUIDE

CAUTION:



Always disconnect power cord before servicing vacuum.

PROBLEM: Not polishing floor to high luster.

POSSIBLE CAUSE:

- 1) Improperly prepared floor or floor needs refinishing.
- 2) Buffing pad is flattened from unit sitting on pad.
- 3) Hard glazed surface on pad.
- 4) Pad used on wet surface or clogged with dirt.
- 5) Pad too thin.
- 6) Burnisher out of adjustment, rear wheels shifted.

POSSIBLE SOLUTION:

- 1) Refinish floor.
- 2) Replace with new 1" buffing pad.
- 3) Replace with new 1" buffing pad.
- 4) Replace with new 1" buffing pad.
- 5) Replace with new 1" buffing pad.
- 6) Have a certified technician adjust rear wheels.

PROBLEM: pulling to one side or skipping sideways.

POSSIBLE CAUSE:

- 1) Buffing pad too thick for machine setting.
- 2) Rear wheels are out of adjustment.

POSSIBLE SOLUTION:

- 1) Replace with 1" buffing pad.
- 2) Have a certified technician adjust rear wheels.

PROBLEM: Machine not running.

POSSIBLE CAUSE:

- 1) Defective power cord.
- 2) Defective switch.
- 3) Defective motor.
- 4) Motor unplugged from handle cord.

POSSIBLE SOLUTION:

- 1) Contact Manufacturer or Service Center.
- 2) Contact Manufacturer or Service Center.
- 3) Contact Manufacturer or Service Center.
- 4) Plug motor lead into handle cord receptacle.

777 South Street, P.O. Box 2310, Newburgh, NY 12550-0606

TELL: (800) 835-7812 ☎ (845) 565-8850

FAX: (800) 752-6883 ☎ (845) 565-9392

Internet Access:

www.mastercraftusa.com ☎ sales@mastercraftusa.com