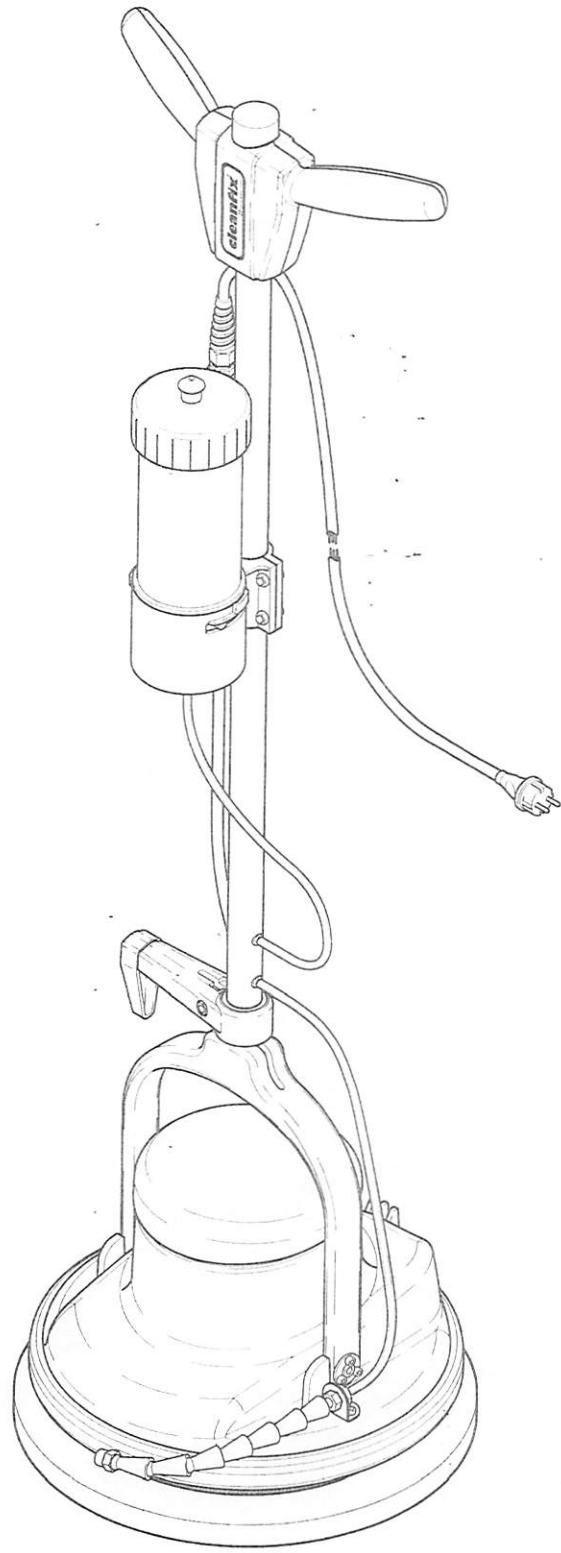


Floor Mac PE300



Deutsch	2
Englisch	6
Français	10
Italiano	14
Nederlands	18





Read these instructions carefully before operating the machine!



These operating instructions are intended for operating staff.

- ☞ Please familiarize yourself with the instructions and recommendations contained in these operating instructions before setting up, commissioning and servicing the machine.
- ☞ You will then have full control over the machine and use it efficiently. The care and maintenance described in these operating instructions are in the interests of your own safety and preserve the machine's value.
- ☞ **The manufacturer accepts no liability for personal injury or damage to property due to the incorrect use of this machine. Please read the safety instructions carefully!**

Contents

Safety instructions, General remarks, Correct use.....	English 6
Correct use, Product liability, Sources of risk, Machine operation position.....	English 6a
Admitted maintenance personnel, Cleaning agents, Initial operation.....	English 6a
Description of pictures, Technical Specification.....	Englisch 7
Commissioning / operation, Use with FloorMac, Application cleaning.....	Englisch 8
Application Polishing, Important Notes, Service, Maintenance instructions, Storage..	Englisch 8
Environmental protection, Declaration of Conformity.....	Englisch 9



Safety instructions

- The Floor cleaning machine may only be used by persons trained in its use and explicitly entrusted with its operation.
- This equipment is not intended to be used by persons (including children) with restricted physical, sensory or mental abilities or who have no experience and/or knowledge of its use, unless supervised by a person who is responsible for their safety, or they have received instructions from this person on how to use the equipment.
- The Floor cleaning machine is not suitable for cleaning surfaces which release health-hazardous dusts and liquids. Do not use the machine on steps.
- Never drive the machine over electric cables. **Danger of electric shocks!**
- When working with the suction device AS 05 with PowerDisc HS, the floor must be dry.



General remarks

The operation of the Floor cleaning machine is subject to the currently valid national regulations.

It is essential to observe not only the operating instructions and the binding regulations on accident prevention valid in the country of use, but also the generally acknowledged rules for safe and correct working procedures. No methods involving safety risks must be employed.

The use of the appliance on public ways and streets is not allowed.



Correct use

- This machine is made for professional use e.g. Hotels, Schools, Hospitals, Factories, Shops, Offices, and Renting or Leasing Business.
- All floor cleaning machines are intended exclusively for use in building interiors.
- Any use beyond this is considered incorrect. The manufacturer accepts no liability for any resultant damage; the user alone bears the risk.
- Correct use also includes adherence to the operating, servicing and maintenance



Read these instructions carefully before operating the machine!



Correct use

- The relevant accident prevention regulations as well as all the generally acknowledged safety and working practices must be followed.
- Unauthorized modifications to the machine exclude the manufacturer's liability for resultant damage.
- Before machine use, floorcoverings must be tested for suitability for this cleaning process.
- Pay attention to the area compression of point-elastic floors, e.g. in gymnasiums.
- The manufacturer accepts no liability for damage to equipment and to the floor being cleaned from using the wrong brushes and cleaning agents.

Product liability

The operator's attention is drawn explicitly to the fact that the machines may only be used for their intended purpose. If the machines are not used for their intended purposes, the user must accept full responsibility. Any liability of the manufacturer is thus excluded.

Sources of risk

- When the machine is stationary, the brush unit must be immediately switched off to prevent damage to the floorcovering.
- During transportation in lifts, the currently valid user instructions and safety regulations – and particularly those concerning maximum loading – must be observed.

Machine operation position

- The machine operation position is behind the machine.

Admitted maintenance personnel

- The floor cleaning machine must not be maintained and serviced by persons which are not professionally and legally legitimized.

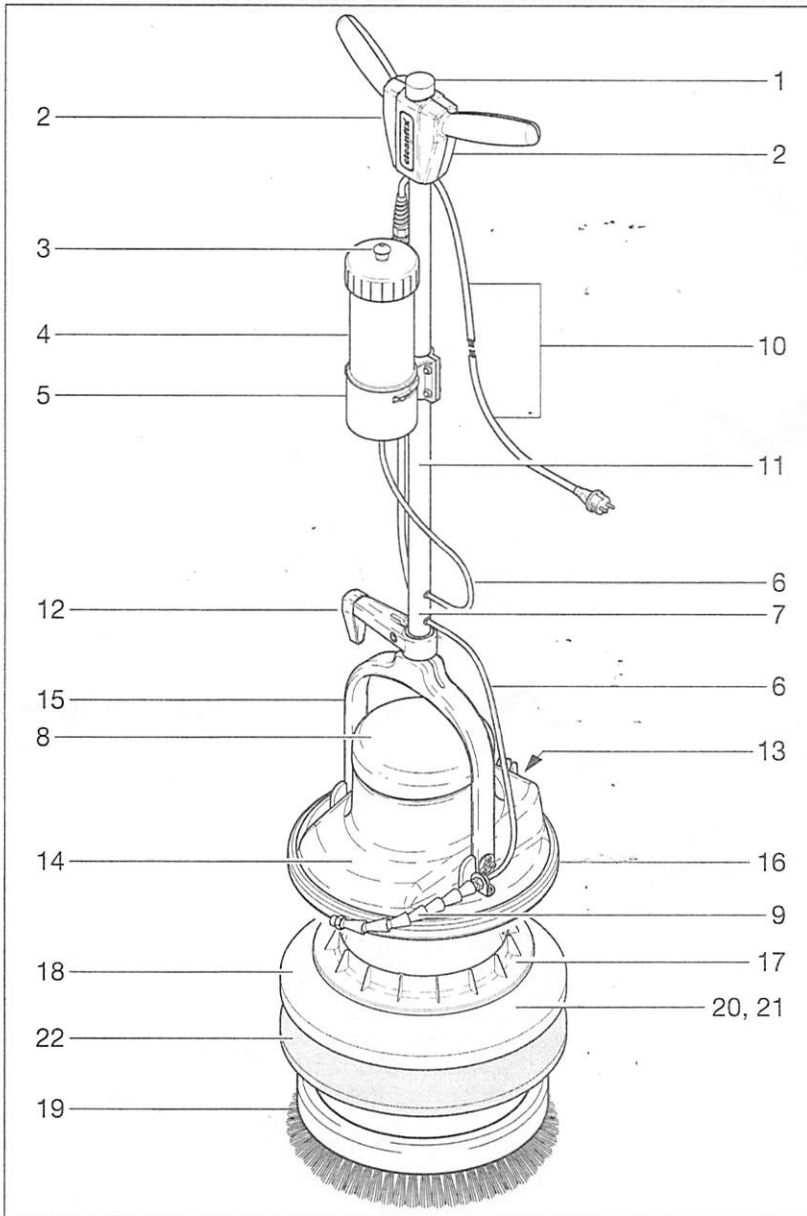
Cleaning agents

- When using cleaning and care agents, the manufacturer's danger warnings must be followed and protective goggles and clothing must be worn.
- Only use low-foaming, non-combustible cleaning agents which do not contain generally health-hazardous substances.
- Explicit reference is made to the risks of using highly flammable, combustible, toxic, health-hazardous, corrosive or irritant substances.

Initial operation

- Delivery, instruction on safety procedures, handling and maintenance and initial operation are generally carried out by our authorized specialist.
- If this should not be the case, the operating company will be responsible for the instruction of the operators.

Description of pictures FloorMac



- 1 Operating knob for cleaning agent
- 2 Shell handle, front and back
- 3 Lock button, blue
- 4 Lye bottle, red
- 5 Bottle holder with bayonet catch
- 6 Connecting hose, bottle-pressure valve
- 7 Pressure valve
- 8 Lid, anthracite grey
- 9 Joint pieces with discharge hase
- 10 Electric cable 7,5 m
- 11 Rod duct
- 12 Cable hook
- 13 Appliance switch On / Off
- 14 Bonnet
- 15 Swivel
- 16 Rebounding protection, anthracite

Standard Accessories

- 17 Driving disc plate
- 18 Micro fibre pad, Ø 33 cm

Optional Accessories

- 19 Scrubbing brush, Item No. 718.059
- 20 Polishing pad white, Ø 33 cm, Item No. 718.901.5; 5 pieces
- 21 Cleaning pad red, Ø 33 cm, Item No. 718.902.5, 5 pieces
- 22 Bonnet-Pad (carpet cleaning) Item No. 718.905

Products

- Floor cleaner 1 litre
Item No. 190.056
Parquet polish 0.5 litre
Item No. 190.057

Technical specifications

FloorMac

Technical specifications	FloorMac
Power supply	230 V
Brush motor	290 W
Working width	33 cm
Working height	25 cm
Cable length	7,5 m
Weight	13 kg
Oscillation speed	1450 1/min.
Vibration strength handle	<2,5m/S2
Noise level	63,5 dB (A)

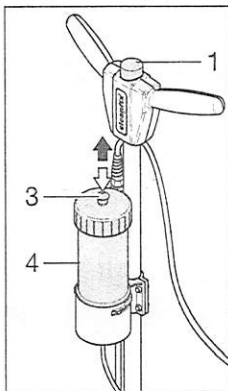
1. Commissioning / operation

Please remember that the voltage in the building being cleaned must concur with that given on the machine's type plate.

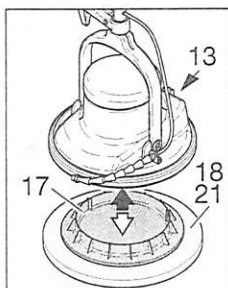
1.1 Where to use FloorMac for cleaning and polishing

Hard floors and staircases, oiled or sealed parquet, plastic floors and PVC, linoleum, earthenware-slabs, clinkers, tiles, natural and cast stone, magnesite composition etc...

1.2 Application cleaning



Fill lye bottle (4) with floor cleaning agent and water (dosage 1:10) and pull lock button (3) upwards. Put the driving disc plate (17) with the cleaning pad (21) or the micro fibre pad (18) on the floor and place the Cleanfix FloorMac into it. Press the control device (1) until the first drops from the lye bottle are on the floor, then turn on the appliance switch (13) and make use of the product immediately.



After having finished work, press lock button (3) on the lye bottle (4) downwards. Separate the Cleanfix FloorMac from driving disc plate and pad to ensure that the machine never keeps standing on the cleaning, polishing or micro fibre pad.

1.3 Application polishing

Use Clean & Polish spray for the surface, work it in with the Cleanfix FloorMac and a polishing pad and polish up.

After having finished work, separate the Cleanfix FloorMac from driving disc plate and polishing pad to ensure that the machine never keeps standing on the polishing pad.

2. Important Notes

- To prevent damage to the appliance, follow the instructions carefully. safety note!
- Do not pull on the electrical supply cable to remove the plug from the socket!
- Only the manufacturer's recommended cleaning agents.
- Never leave the machine standing on the polishing, cleaning or micro fibre pad after use.
- The pads will be squeezed by the one-sided weight of the machine, and smooth working can not be realized anymore. The pad has to be replaced in that case.

2. Important Notes

- Lifting the machine allows the pad and the driving disc plate to be separated easily from the machine.
- Attention! Press the control device for the cleaning agent for a short time only, and make use of the product at once drop by drop.
- Large quantities of liquid can infiltrate the floor and lead to irreparable damage.

3. Service

In case of repair please contact their specialist wholesaler or one of the approved service agents.

You will be served quickly and professionally.

Attention! This machine is intended only for the use on plain surfaces with a maximal gradient of up to 2%.

Attention! The use of this machine on public ways and streets is not allowed.

4. Maintenance Instructions

it is imperative to observe the following notes:

- For cleaning and maintenance of the machine, the replacement of parts, or switching to another function the drive has to be shut off and the mains connection must be unplugged.
- The mains lead must not be injured or damaged by either crossing, squeezing, straining or anything similar.
- The mains lead has to be checked regularly for indications of damaging.
- The machine must not be used if the mains lead is not in a faultless condition.
- For the use or replacement of mains leads or cord sets the notes given by the manufacturer must be strictly observed.
- For the replacement of couplings of mains leads or cord sets splash protection and mechanical strength have to remain ensured.
- For transport in lifts the handle/pole of the machine is to be placed upright to prevent it from getting stuck on the hoistway walls.
- Sprays and cleaning agents which are not suited for the intended purpose of the appliance must not be used.
- Never use substances which are highly inflammable, combustible, toxic, hazardous to health, caustic or irritating.
- Corrective maintenance inclusive of the integration of spray leads and hoses may only be carried out by approved after-sales service points or competent qualified personnel being familiar with all relevant safety regulations.



5. Storage

If the machine is not to be used it should be stored in a dry room which is always above 0° C.

Final remark

Subject to changes within the framework of technical progress!!

Environmental protection

	The packaging material can be recycled. Please do not throw the packaging material into household waste; please send it for recycling.
	Old appliances contain valuable materials that can be recycled; these should be sent for recycling. Batteries, oil, and similar substances must not enter the environment. Please dispose of your old appliances using appropriate collection systems.

Declaration of Conformity

We,

Cleanfix Reinigungssysteme AG
Stettenstrasse 15 - CH-9247 Henau

declare under our sole responsibility that the product,

Single disc machine

Floor Mac PE300

from serial code No. 8510 and following
(name,type, serial number)

to which this declaration relates is in conformity with the following standard(s) or other normative document(s).

Safety:

EN 60335-1:2002;A1:04+A11:04+A12:06
EN 60335-2-67:2003

EMC:

EN 55014-1:2000+A1:01+A2:02
EN 55014-2:1997+A1:01
EN 61000-3-2:2000+corr:02+A2:05
EN 61000-3-3:1995+A1:01+A2:05
EN 61000-6-3:2001

EMF:

EN 50366:2003+A1:06
EN 62233:2006

(title and/or number and date of issue of the standard(s)).

following the provisions of Directive

2011 / 65 / EU - 2006 / 42 / EC - 2004 / 108 / EC

Henau, 17.04.2013



Roland Flück
Director of Development

Cleanfix Reinigungssysteme AG

Stettenstrasse 15

CH-9247 Henau

Tel. 0041 71 955 47 47

Fax 0041 71 955 47 60

www.cleanfix.com

info@cleanfix.com