



WET/DRY HAZARDOUS WASTE VACUUM SAFETY & OPERATION MANUAL

This unit is intended for commercial use.

Mastercraft

777 South Street Newburgh, NY 12550-0606

TEL: 800.835.7812 - 845.565.8850

FAX: 800.752.6883 - 845.565.9392

www.mastercraftusa.com

techsupport@mastercraftusa.com

READ AND FOLLOW
ALL INSTRUCTIONS, WARNINGS
& CAUTIONS
BEFORE USING THIS VACUUM

This vacuum cleaner will afford you many years of trouble-free operating satisfaction, provided it is given proper care. All parts have passed rigid quality control standards prior to being assembled to produce the finished product. Prior to packaging, the vacuum was again inspected for assurance of flawless assembly.

Your vacuum is protectively packed to prevent damage in shipment. We recommend that upon delivery, unpack the vacuum and inspect it for any possible damage. Only a visual examination will reveal damage that may have occurred.

If damage is discovered, immediately notify the transportation company that delivered your vacuum. As a shipper, we are unable to report claims for concealed damage. You must originate any claims within 5 days.

This manual is for your protection and information. **PLEASE READ CAREFULLY** since failure to follow precautions could result in discomfort or injury.

READ ALL
INSTRUCTIONS
BEFORE OPERATING
THIS VACUUM

SAVE THESE INSTRUCTIONS

INTENDED USE OF THIS VACUUM

This vacuum has been specifically designed to clean up hazardous dust. Special filters reduce incidence of airborne dust that would be created by other methods of cleaning.

During removal of hazardous dust or debris, DO NOT sweep, scoop, shovel or in any manner handle other than by vacuuming.

DO NOT at any time attempt to remove, substitute, bypass or by any other means change the filters in the vacuum.

Use only manufacturer's approved vacuum filters and filter bags.

Before using this vacuum make sure that you fully understand the instructions for setting up or cleaning/changing of filters in this vacuum.

Any health hazards associated with use of this unit in conjunction with the pickup of hazardous material has not been investigated by Underwriters Laboratories, Inc.

DO NOT use this vacuum until all safety instructions and procedures have been read and understood. Improper use could cause damage to the unit of the special filters employed.

Special filters are required in this hazardous waste vacuum.

HEPA Filter:

Certified absolute filter rated with a minimum efficiency of 99.97% at 0.3 microns.

2-Ply Disposable Paper Filter Bag:

Contains the bulk of all debris and protects the remaining filters from excess dirt (for dry pickup only).

2-Ply Disposable Intermediate Filter:

Made of very fine non-woven material that extends the life of the expensive High-Efficiency Particulate Air (HEPA) filter.

IMPORTANT SAFETY INSTRUCTIONS

WARNING

To Reduce the Risk of Fire, Electric Shock or Injury:

Dry Vacuums

Electric shock could occur if used on wet surfaces.

DO NOT expose to rain - Store Indoors

Wet Vacuums

To avoid electric shock DO NOT expose to rain - Store Indoors

When using this electric vacuum, basic precautions should always be followed, including the following:

- 1) DO NOT** leave the vacuum when plugged in. Unplug it from the outlet when not in use and before servicing.
- 2) This is NOT** a toy. Close attention is necessary when used around or near children.
- 3) Use** only as described in this safety manual. Use only manufacturer's recommended attachments and accessories.
- 4) DO NOT** use the vacuum with damaged cord or plug. If the vacuum is not working as it should, because it has been dropped, damaged, left outdoors or dropped into water, contact an authorized service center or factory.
- 5) DO NOT** pull the vacuum by the cord, use cord as a handle, close a door on the cord or pull cord around sharp edges and corners. **DO NOT** run vacuum over the cord. Keep cord away from heated surfaces.
- 6) DO NOT** unplug the vacuum by pulling on the cord. To unplug, grasp the plug, not the cord.
- 7) DO NOT** handle the vacuum plug or vacuum with wet hands.
- 8) DO NOT** put any objects into openings. **DO NOT** use with any openings blocked; keep free of dust, lint, hair, and anything that may reduce air flow.
- 9) Keep** hair, loose clothing, fingers, and all parts of body away from the openings and moving parts.
- 10) DO NOT** pick up anything that is smoking or burning such as cigarettes, matches, or hot ashes.
- 11) DO NOT** use the vacuum without all the filters in place for dry operation and HEPA filter and wet adaptor for wet operation.
- 12) Turn OFF** all controls before unplugging.
- 13) Use** extra care when cleaning on stairs.
- 14) DO NOT** use this vacuum to pick up flammable or combustible liquids such as gasoline or use in areas where they may be present.
- 15) DO NOT** use where anesthetics or oxygen is used.
- 16) Replace** damaged or worn parts immediately with genuine original equipment parts to maintain safety and to protect your limited warranty.
- 17) DO NOT** use an extension cord unless absolutely necessary. If an extension cord is used, then wire size must be #14 gauge or larger and should not exceed 50 feet in length. The extension cord must be three-wire type to insure **GROUNDING** protection.

This vacuum must be connected to a properly grounded outlet only. See grounding instructions (Page 3).

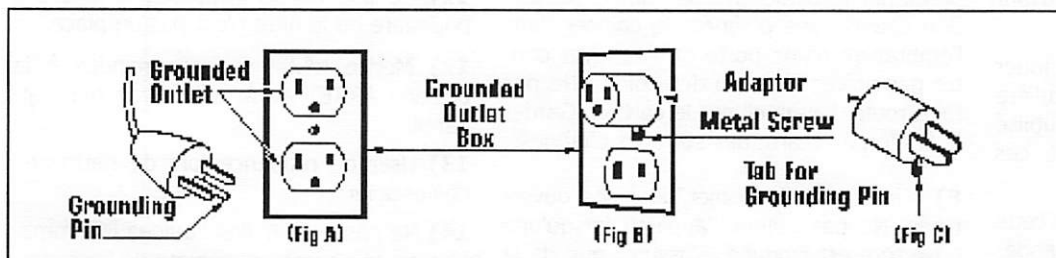
DANGER

Improper use of the grounding plug can result in a risk of electric shock.

Electrical equipment must be grounded. If it should malfunction or breakdown, grounding provides a path of least resistance for electrical current to reduce the risk of electric shock. This vacuum is equipped with a cord having an equipment-grounding conductor and grounding plug. The plug must be inserted into an appropriate outlet that is properly installed and grounded in accordance with all local codes and ordinances.

If repair or replacement of the cord or plug is necessary, **DO NOT** connect the grounded wire to either flat blade terminal. The wire with insulation having an outer surface that is green with or without yellow stripes is the grounding wire.

GROUNDING INSTRUCTIONS



This electric equipment is for use on a nominal 120 volt circuit, and has a grounded plug that looks like the plug illustrated in (Fig A). A temporary adaptor that looks like the adaptor illustrated in (Fig B & C) may be used to connect this plug to a 2-pole receptacle as shown in (Fig B) if a properly grounded outlet is not available.

The temporary adaptor should be used only until a properly grounded outlet (Fig A) can be installed by a qualified electrician. The green color rigid ear, lug or the like extending from the adaptor must be connected to a permanent ground such as a properly grounded outlet box cover. Whenever the adaptor is used, it must be held in place by a metal screw (Fig C).

GROUNDING METHODS

WARNING:

Improper connection of the equipment-grounding conductor can result in a risk of electric shock. Check with a qualified electrician or service person if you are in doubt as to whether the outlet is properly grounded.

DO NOT modify the plug provided with the equipment. If it will not fit the outlet, have a proper outlet installed by a qualified electrician.

Note: In Canada, the use of a temporary adaptor is not permitted by the Canadian Electrical Code.

Treat this vacuum as you would any other high grade precision made product. Dropping, unreasonable bumping across thresholds and other misuses may result in a damaged unit which will not be covered by warranty.

When not in use, power cord should be wrapped around the motor head for storage.

Read this manual completely before operating the vacuum.

It is important to follow instructions in this manual to prevent the possibility of injury or damage to the user and/or vacuum.

CARE OF THE VACUUM

CAUTION:

For the benefit of your health, always wear gloves and an OSHA approved face mask for use with hazardous materials any time you are operating or cleaning this vacuum cleaner.

LIRE TOUTES LES INSTRUCTIONS AVANT DE FAIRE FONCTIONNER (CET APPAREIL)

AVERTISSEMENT:

Pour réduire les risques d'incendie, de choc électrique ou de blessure:

POUR APPAREIL SEC

Pour réduire les risques de choc électrique, ne pas aspirer de matières humides, ne pas exposer à la pluie et garder l'aspirateur à l'intérieur.

POUR APPAREIL HUMIDE

Pour réduire les risques de choc électrique, ne pas exposer à la pluie et garder l'aspirateur à l'intérieur.

L'utilisation d'un appareil électrique demande certaines précautions:

1) Ne pas laisser l'appareil sans surveillance lorsqu'il est branché. Débrancher lorsque l'appareil n'est pas utilisé et avant l'entretien.

2) Ne pas permettre aux enfants de jouer avec l'appareil. Une attention particulière est nécessaire lorsque l'appareil est utilisé par des enfants ou à proximité de ces derniers.

3) N'utiliser que conformément à cette notice avec les accessoires recommandés par le fabricant.

4) Ne pas utiliser si le cordon ou la fiche est endommagé. Retourner l'appareil à un atelier de réparation s'il ne fonctionne pas bien, s'il est tombé ou s'il a été endommagé, oublié à l'extérieur ou immergé.

5) Ne pas débrancher en tirant sur le cordon. Tirer plutôt la fiche.

6) Ne pas toucher la fiche ou l'appareil

lorsque vos mains sont humides.

7) Ne pas tirer, soulever ou traîner l'appareil par le cordon. Ne pas utiliser le cordon comme une poignée, le coincer dans l'embrasure d'une porte ou l'appuyer contre des arêtes vives ou des coins. Ne pas faire rouler l'appareil sur le cordon. Garder le cordon à l'écart des surfaces chaudes.

8) N'insérer aucun objet dans les ouvertures. Ne pas utiliser l'appareil lorsqu'une ouverture est bloquée. S'assurer que de la poussière, de la peluche, des cheveux ou d'autres matières ne réduisent pas le débit d'air.

9) Maintenir les cheveux, les vêtements amples, les doigts et toutes les parties du corps à l'écart des ouvertures et des pièces mobiles.

10) Ne pas aspirer de matières en combustion ou qui dégagent de la fumée, comme

des cigarettes, des allumettes ou des cendres chaudes.

11) Ne pas utiliser l'appareil si le sac à poussière ou le filtre n'est pas en place.

12) Mettre toutes les commandes à la position ARRET avant de débrancher l'appareil.

13) User de prudence lors du nettoyage des escaliers.

14) Ne pas aspirer des liquides inflammables ou combustibles, comme de l'essence, et ne pas faire fonctionner dans des endroits où peuvent se trouver de tels liquides.

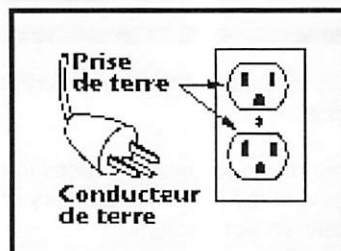
15) Toujours mettre l'interrupteur de l'appareil à la position ARRET avant de brancher ou de débrancher la brosse à moteur.

16) Ne brancher qu'à une prise de courant avec mise à la terre. Voir les instructions visant la mise à la terre.

INSTRUCTIONS VISANT LA MISE À LA TERRE

Cet appareil doit être mis à la terre. En cas de défaillance ou de panne éventuelles, la mise à la terre fournit au courant un chemin de moindre résistance qui réduit le risque de choc électrique. Cet appareil est pourvu d'un cordon muni d'un conducteur

de terre et d'une fiche avec broche de terre. La fiche doit être branchée dans une prise appropriée correctement installée et mise à la terre conformément aux règlements et ordonnances municipaux.



Cet appareil est destiné à un circuit de 120V et est muni d'une fiche de mise à la terre semblable à celle illustrée par le croquis A de la figure "A". S'assurer que l'appareil est branché à une prise de courant ayant la même configuration que la fiche. Aucun adaptateur ne devrait être utilisé avec cet appareil.

AVERTISSEMENT:

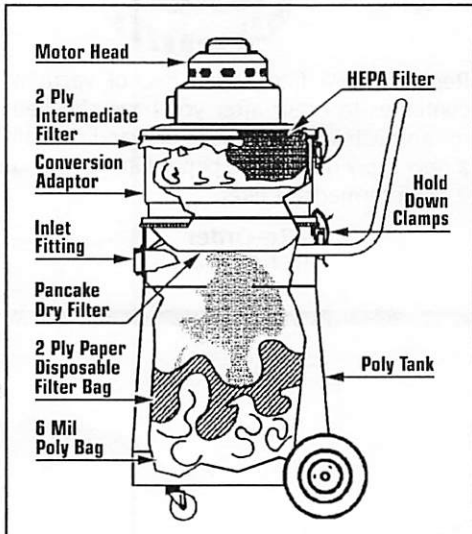
Un conducteur de terre mal raccordé peut entraîner un risque de choc électrique. Consulter un électricien ou un technicien d'entretien qualifié si vous n'êtes pas certain que la prise soit correctement mise à la terre. Ne pas modifier la fiche fournie avec l'appareil si elle ne peut être insérée dans la prise, faire installer une prise adéquate par un électricien qualifié.

CONSERVER CES INSTRUCTIONS

CAUTION:

Never operate this vacuum cleaner without a HEPA filter, the 2-ply disposable paper filter bag (dry operation) or wet pickup adaptor (wet operation) and **NEVER, NEVER** without a 2-ply intermediate filter in position. Motor damage, loss of operating efficiency and circulation of hazardous material into work area will take place.

DRY VACUUM OPERATION INSTRUCTIONS



This hazardous vacuum is shipped in 2 cartons and requires a HEPA adaptor for the HEPA filter to set in.

HEPA Filter Installation

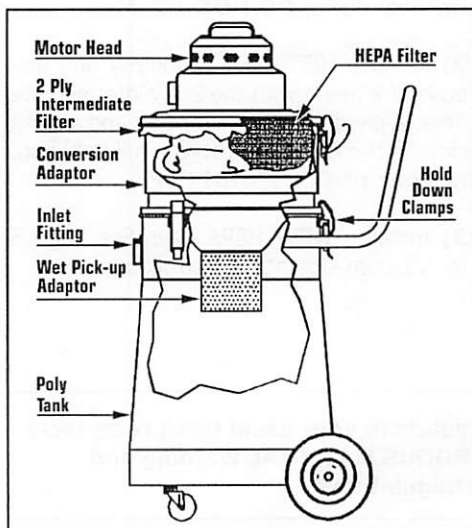
- 1) Open the larger carton and remove the vacuum. Unsnap the hold-down clamps, and lift off the motor head, pancake dry filter and carefully set aside.
- 2) Unpack the 2-ply disposable bags, 6 mil (OSHA Approved) poly bag, attachments and hose from inside the vacuum tank.
- 3) Firmly grasp speed pin on each side of handle and pull up and out. Slowly pull handle away from the tank, align front handle holes with holes in handle bracket.
- 4) Insert speed pins through holes on both sides to lock handle in position.
- 5) Arrange a 6 mil poly bag in bottom of the vacuum tank as shown in the illustration.
- 6) Install a 2-ply disposable paper filter bag onto the inlet fitting by holding on to the free ends of cardboard attached to paper filter bag.

- 7) Pull it forward over the inlet fitting so that the cardboard is as close to the tank's wall as possible.
- 8) Place the 2-ply intermediate filter in position on top of tank and fold edge over the outside of tank, overlapping it approximately one inch.
- 9) Set the pancake filter on tank, being careful not to move the 2-ply intermediate filter.
- 10) Unpack the second carton and place HEPA adaptor on top of the pancake filter and engage hold-down clamps
- 11) Insert HEPA filter. The HEPA filter's sealing gasket must sit evenly on the tank's rim so that an air tight seal will be obtained.
- 12) Replace motor head assembly on top of HEPA filter so it is seated on top of the HEPA adaptor and resnap hold-down clamps.

CAUTION:

To insure a snug fit, make sure the area around the lid and top edge of vinyl sealing gasket is free of dirt and other foreign matter.

WET VACUUM OPERATION INSTRUCTIONS



In order to use this vacuum for wet pickup you must replace the pancake dry filter with a wet pickup adaptor.

- 1) Carefully remove the motor head, HEPA filter and 2-ply intermediate filter, HEPA adaptor, pancake dry filter and set aside.
- 2) Remove the 6 mil poly bag and disposable paper bag if they are in the tank. Follow instructions on page 6 for removing a loaded disposable paper filter bag.
- 3) Set wet pickup adaptor on the tank's rim.
- 4) Set the HEPA adaptor on top of the wet pickup adaptor and snap down hold-down

clamps.

- 5) Place the 2-ply intermediate filter in position on the HEPA adaptor and fold edge over the outside, overlapping it approximately one inch.
- 6) Insert HEPA filter. The HEPA filter's sealing gasket must sit evenly on the HEPA adaptor's rim so that an air tight seal will be obtained.
- 7) Replace the motor head assembly on top of the HEPA filter so it is seated on top of the HEPA adaptor and resnap hold-down clamps.

WHEN TO CHANGE FILTERS

2-Ply Disposable Paper Filter Bags

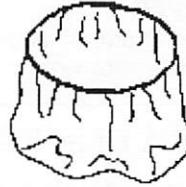
When the 2-ply disposable paper filter bag is $\frac{3}{4}$, it **MUST** be replaced. Excessive over filling of the bag makes it difficult to remove from vacuum tank and can result in spills and breakage.



Re-Order
Part No: 363936

Intermediate Filter

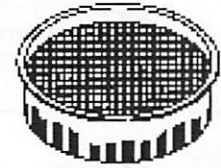
The 2-ply intermediate filter should be replaced with every fifth change of paper bag and whenever there is damage or a visible collection of debris on the outside of the filter.



Re-Order
Part No: 363375

HEPA Filter

Replace HEPA filter when loss of vacuum continues to occur after you have checked for an obstructions in hose or wand. Install a new 2-ply disposable paper filter bag and 2-ply intermediate filter.



Re-Order
Part No: 382515

PROCEDURES FOR REMOVING CONTAMINATED FILTERS & CLEANING A CONTAMINATED TANK

2-Ply Disposable Paper Filter Bag:

- 1) Carefully and slowly remove the motor head, HEPA filter and 2-ply intermediate filter, HEPA adaptor and pancake filter assembly. Set aside.
- 2) Using a damp cloth, wipe down all exposed surfaces inside of tank and set cloth down. **DO NOT** discard the cloth.
- 3) Lay vacuum tank on its side with inlet on top, carefully and slowly push cardboard off air inlet tube.
- 4) Remove paper backing from sealing flap located over cardboard collar. Press sealing flap firmly over the opening to prevent spill back of recovered materials.
- 5) Reach down into the tank and pull the 6 mil poly bag up and around the 2-ply disposable paper filter bag.
- 6) Slowly and very carefully slide the two

bags out of tank, using care not to puncture the bag with inlet. Wipe off any surface that has not been previously wiped with the damp cloth including the entire inside of tank.

7) Place the 2-ply disposable paper filter bag and damp cloth in the OSHA approved 6 mil poly bag. Re-order part no 396184 (5/Pk). Dispose of it in accordance with the local Hazardous Waste Regulations.

8) Install a new 2-ply disposable paper filter bag. See Dry Operation Instruction, Page 5, No's 5 thru 11.

2-Ply Intermediate Filter:

1) Remove motor head. Using a damp cloth wipe down all exposed surfaces on underside and carefully set aside. Put wiping cloth down, **DO NOT** discard.

2) Remove HEPA filter cautiously as not to damage or puncture paper media used in the filter. Set aside.

3) Remove 2-ply intermediate filter and dispose of it along with the wiping cloth in the OSHA approved 6 mil poly bag. Re-order part no 396184 (5/Pk).

4) Install a new 2-ply intermediate filter. See Page 5 for Vacuum Operation Instructions.

HEPA Filter:

1) Remove motor head. Using a damp cloth wipe down all exposed surfaces on underside and carefully set aside. Put wiping cloth down, **DO NOT** discard.

2) Remove HEPA filter cautiously and dispose of it along with the 2-ply intermediate filter, 2-ply disposable filter bag and wiping cloth in the OSHA approved 6 mil poly bag. Re-order part no 396184 (5/Pk).

3) Install a **NEW** HEPA filter. See Page 5 for Vacuum Operation Instructions.

CAUTION:

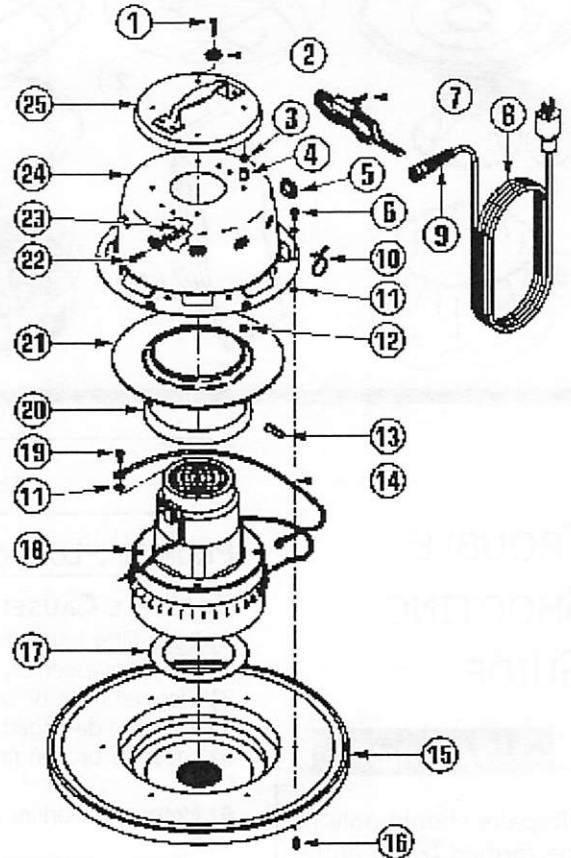
Always unplug the vacuum from the power source before changing filters.

CAUTION:

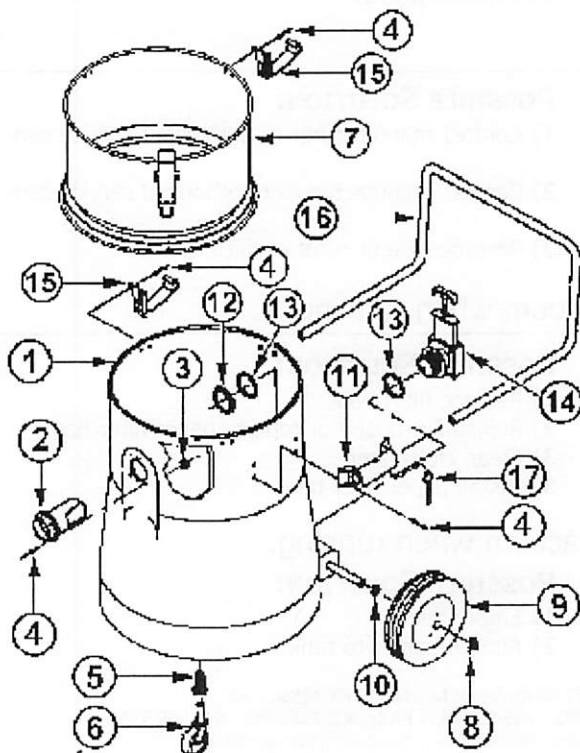
Hazardous materials must be disposed of properly. **NEVER** throw contaminated debris in your usual trash receptacle. Place debris in a OSHA approved poly bag or container marked with **HAZARDOUS MATERIAL** warning and dispose in accordance with your local Hazardous Waste Regulations.

MOTOR HEAD ASSEMBLY REPLACEMENT PARTS LIST

Ref No	Part Description	Qty	Part No
	Complete Motor Head Assy	1	243183
1	#10-24 X 1" Screw	4	447552
2	Flat Steel Washer	4	322164
3	Nylon Spacer	4	365084
4	White Nylon Spacer	4	332186
5	Push-In Plug	1	443344
6	#12 - 14 X 1/2" Screw	6	314595
7	30 Ft, 16/3 Line Cord	1	306819
8	Switch Assembly	1	324140
9	Strain Relief w/Nut	1	434299
10	Purse Lock	1	365483
11	#12 Int Tooth Lockwasher	3	364037
12	#10 - 24 Hex Nut	4	313815
13	Yellow Wire Connector	4	350648
14	Grounding Wire w/Terminals	1	307440
15	16" Cover Assembly	1	361100
16	Screw Protector	6	341649
17	Circle Gasket	1	378607
18	2 HP, 115 Volt Motor	1	389684
19	#10-32 X 5/16" Screw	1	393258
20	Gasket	1	303011
21	Motor Holddown	1	315737
22	#10-24 X 3/4" Screw	1	337315
23	#10-24 Hex Nut w/Washer	3	331201
24	Dome Assembly	1	312908A
25	Top Cover Assembly	1	363057

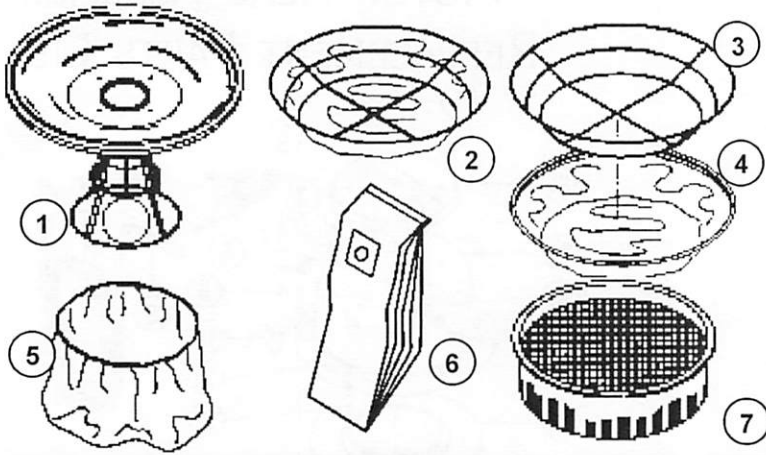


VACUUM TANK & HEPA ADAPTOR REPLACEMENT PARTS LIST



Ref No	Part Description	Qty	Part No
1	Poly Tank Assembly	1	243205
2	Inlet Fitting	1	356298
3	Steel Washer	3	303909
4	Pop Rivet	14	374733
5	Plastic Caster Sockets	2	371750
6	2 1/2" Ball Bearing Casters	2	307408
7	HEPA Adaptor	1	393207
8	"X" Washer	2	368997
9	8" Non-Marking Wheel	2	356751
10	Spring Washer	2	374059
11	Handle Bracket	2	376949
12	Large Nut	1	306789
13	Gate Valve Gasket	2	307602
14	Gate Valve	1	319260
15	Hold Down Clamps	3	358312
16	Chrome Push Handle	1	376906
17	Speed Pin & Ring Assy	2	385182

FILTERS & WET ADAPTOR PARTS LIST



Ref No	Part Description	Qty	Part No
1	Wet Pickup Adapter Assy	1	305987
2	Pancake Dry Filter Assy	1	378461
3	Filter Frame Assembly	1	371696
4	Cloth Filter w/Gasket	1	371580
5	2-Ply Intermediate Filter	1	363375
6	2-Ply Paper Filter Bag (5/Pk)	1	363936
7	HEPA Filter	1	382515
NS	6 Mil Poly Bag (5/Pk)	1	396184

CAUTION:

Always disconnect power cord before servicing vacuum.

TROUBLE SHOOTING GUIDE

WARNING:

Repairs should only be performed by an authorized service center.

PROBLEM: Loss of vacuum.

POSSIBLE CAUSE:

- 1) 2-Ply filter bag is full.
- 2) Dry filter assembly clogged.
- 3) Clogged hose or wand.
- 4) Tank rim damaged.
- 5) Loose or broken fan.
- 6) Motor not working.
- 7) Float not functioning.
8. Gasket worn.

POSSIBLE SOLUTION:

- 1) Replace paper filter bag.
- 2) Clean cloth filter.
- 3) Remove obstruction.
- 4) Replace tank.
- 5) Contact manufacturer or authorized service center.
- 6) Contact manufacturer or authorized service center.
- 7) Check to see if ball on rod moves freely or full
- 8) Replace gasket.

PROBLEM: Motor is not running.

POSSIBLE CAUSE:

- 1) Defective Motor or Broken switch.
- 2) Power cord defective.
- 3) Blown fuse or tripped circuit breaker.

POSSIBLE SOLUTION:

- 1) Contact manufacturer or authorized service center.
- 2) Contact manufacturer or authorized service center.
- 3) Replace fuse or reset circuit breaker.

PROBLEM: Dust blowing from vacuum when running.

POSSIBLE CAUSE:

- 1) 2-Ply filter bag is full or torn.
- 2) 2-Ply filter bag not installed properly.
- 3) Cloth filter is dirty.
- 4) 2-Ply filter bag not installed.

POSSIBLE SOLUTION:

- 1) Replace filter bag.
- 2) Reinstall properly or replace paper filter bag.
- 3) Clean cloth filter.
- 5) Install paper filter bag

PROBLEM: Water blowing from vacuum when running.

POSSIBLE CAUSE:

1. Tank is full of liquid.
- 2) Foamy liquid is being picked up.

POSSIBLE SOLUTION:

- 1) Empty tank.
- 2) Add defoamer to tank.

Mastercraft

777 South Street Newburgh, NY 12550-0606
 TEL 800.835.7812 - 845.565.8850 FAX: 800.752.6883 - 845.565.9392
 www.mastercraftusa.com - techsupport@mastercraftusa.com