

# CONCAVE SCONCE | Ban Pa Ao Brass Lighting



## DESCRIPTION

---

In collaboration with the heritage brass casting village of Ban Pa Ao in Ubon Ratchathani, Thailand, we have developed a series of contemporary wall sconces and pendants that highlight signature details inherent to the village's centuries old casting process. Every piece is unique due to the one-off manufacturing method which uses no molds or modern manufacturing technologies. The ancient techniques result in beautifully imperfect castings that show the hand of the maker and the natural materials involved.

## MATERIALS

Brass, Glass Shade, Metal Backplate

## BULB + SOCKET (INCLUDED)

Emery Allen G9 / 4.5W LED / 450 Lumens / 3000K

## DIMMER

Compatible with LED Dimmers (Emery Allen does not recommend the use of Lutron CL 153 series dimmers)

## MOUNTING

Backplate is compatible with a variety of junction boxes using 2.5" - 3.25" hole spacing

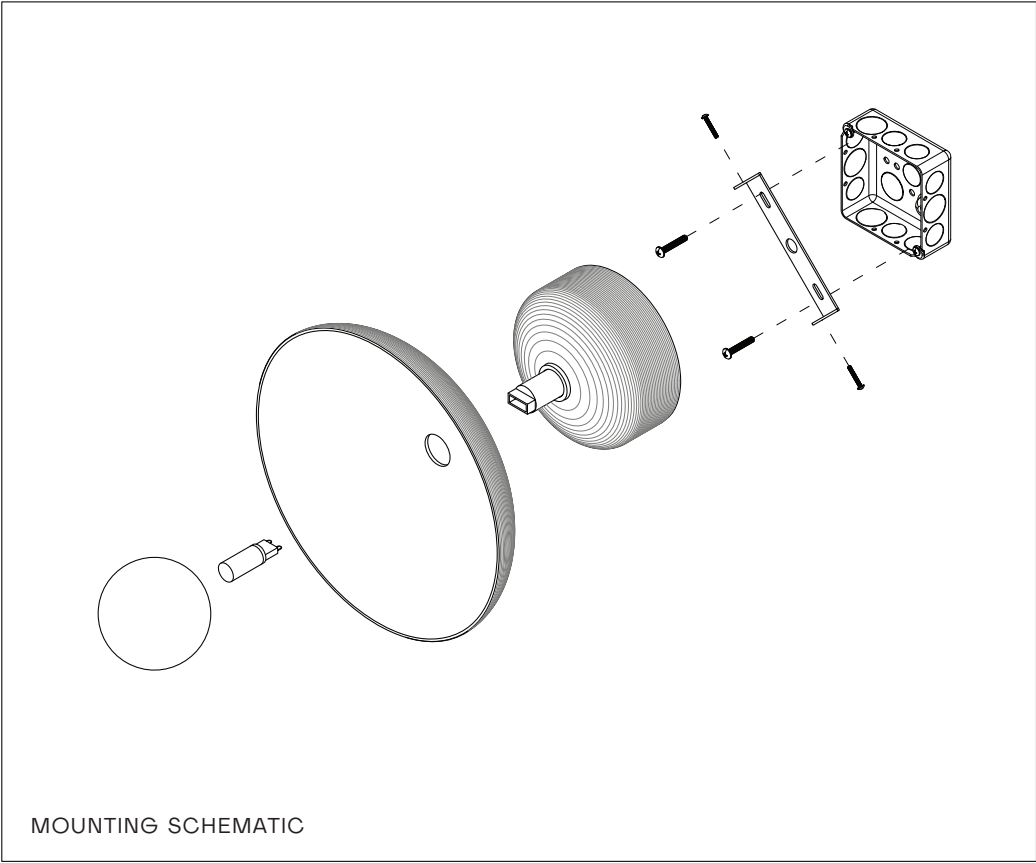
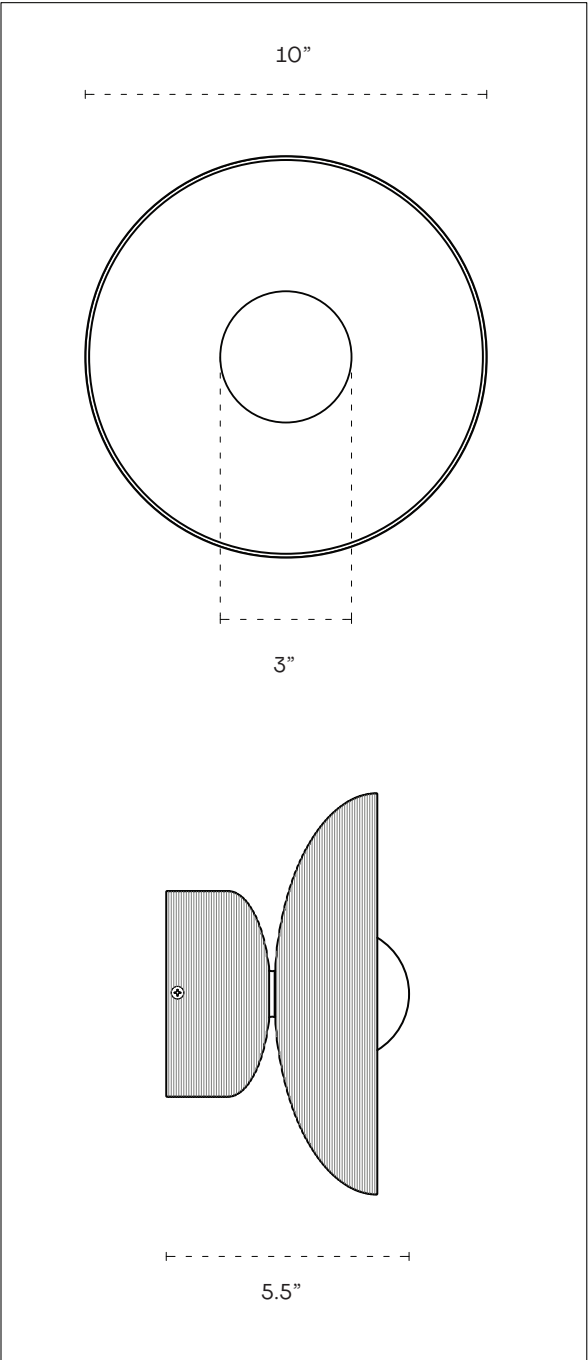
## LEAD TIME

10-12 weeks

## CERTIFICATIONS

Available upon request  
UL listing (+\$150 per unit)

TECHNICAL DRAWINGS



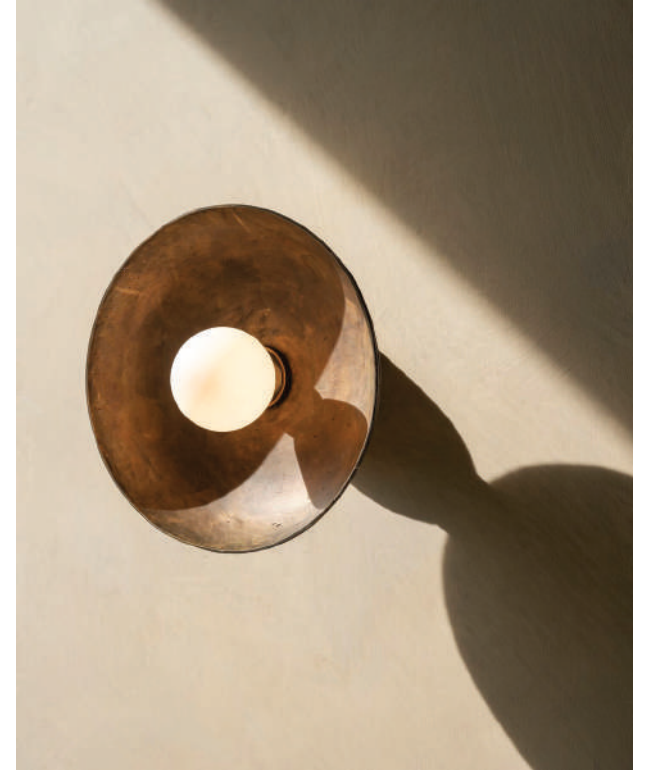
SUKRACHAND

## FINISH OPTIONS

We currently offer the following finishes for the Concave Ban Pa Ao Sconce:

Rice Husk Blue  
Heavy Antique

Each light from Ban Pa Ao is crafted by hand, with no use of molds or modern technologies. Your light will undoubtedly look different than the one pictured. The ancient techniques result in beautifully imperfect castings that show the hand of the maker and the natural materials involved in the process.



SUKRACHAND