

**twin PHOENIX**  
**PHOENIX**

# UNIC PHOENIX - TWIN PHOENIX

## INSTALLATION INSTRUCTIONS

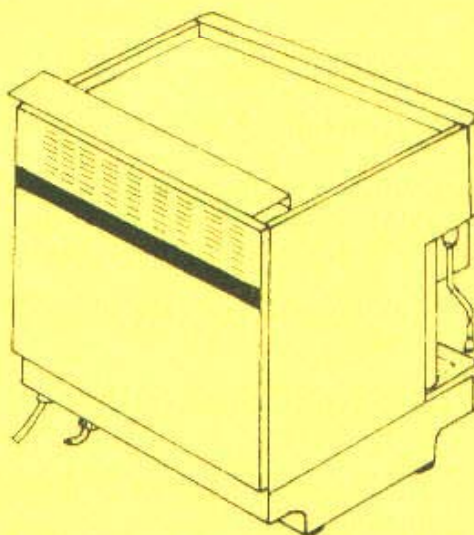
### I - PREPARATION OF THE SITE

- .The machine must be placed on a horizontal surface.
- .There must be a free space of 5 cm behind the machine and the ventilation holes on the top of the machine must not be obstructed.
- .A socket with a ground system and a water-supply pipe corresponding to the characteristics of the machine are sufficient for connecting.

### II - HYDRAULIC CONNECTION

**.This equipment is to be installed to comply with the applicable Federal, state or local plumbing codes having jurisdiction.**

- .A water softener is necessary.
- .Water-supply pressure from 1,3 to 8 bar.
- .The connection is carried out by means of the 3/8 male gas coupling located under the machine at the back. Connect with a rigid or flexible tube (using the elbow) whose internal diameter is 10 or 12mm. Provide a shutoff valve.



### III - ELECTRIC CONNECTION

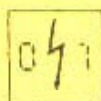
**.None of the push-buttons must be pushed in.**

- .Make sure that the voltage, frequency and power values marked on the descriptive plate of the machine are in conformity with the electric network mains.

### IV - STARTING-UP

#### 1°) FILLING THE BOILERS



- .Turn on the shutoff valve.
- .Plug in the machine.
- .Press the On/Off push-button.



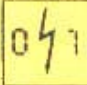
**Nota:** The model TWIN PHOENIX is fitted with a double water level control (2 level electronic boxes).

### 1.a) STEAM BOILER

.As soon as the machine is turned on, the filling takes place automatically.


The indicator light   blinks on each water level control box.

If after 3 minutes the indicator light is still blinking :


- Check the hydraulic connection of the machine.
- Switch off and switch on the machine by pressing  The filling starts again and lasts 3 minutes.
- Repeat these operations until the indicator light stops blinking.

When the indicator light stops blinking, the steam boiler is filled.

### 1.b) INTERNAL BOILERS

.With the filter holder in place, press the key  several times on each unit, until the water flows correctly from the spout (with no air).

### 2°) HEATING

.When the boilers have been filled, press the heating key. 

.When the heating indicator light is extinguished (orange), the operating temperature of the machine has been reached and the pressure-gauge must indicate a pressure of 0.9 to 1 bar (14 PSI).

**It is better to keep the machine switched on permanently.**

## V - CHECKS AND ADJUSTMENTS

.To get to the various adjustments, the cup rack, the rear panel or the sides must be removed.

Proceed as follows:

### .CUP RACK:

Unscrew the 4 upper screws and remove the cup rack.

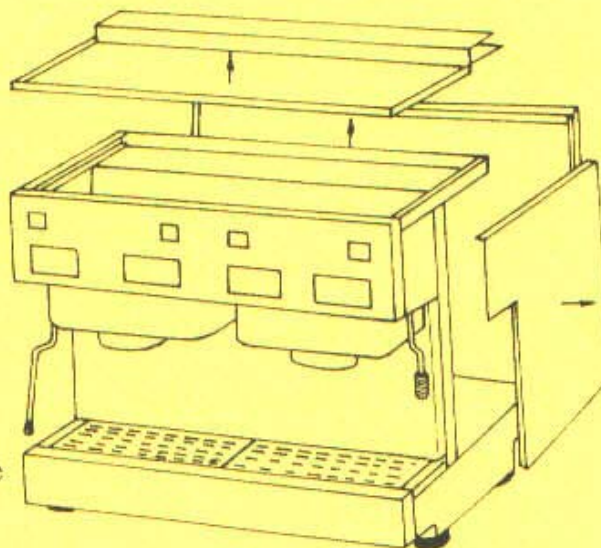
### .REAR PANEL:

Unscrew by one turn the 2 screws located below the panel and draw the panel upwards.

### .SIDES:

Unscrew the 2 corresponding-side cup-rack screws.

Remove the overflow-tray and loosen by one turn the screws located below the front and below the rear panel, then draw towards you.



## ATTENTION

To reassemble, put the sides back in place before the rear panel.  
Do not forget to tighten all the screws.

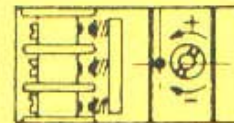
### 1°) TEMPERATURE ADJUSTMENT BY MEANS OF THE ELECTRIC PRESSURESTAT

. The pressurestat is located at the back, on the right.

. Dismantle the cup rack, remove the pressurestat cover to get to the adjustment screw of the pressurestat.

-TIGHTEN to LOWER the temperature  
-LOOSEN to RAISE the temperature.

. The pressure-gauge must indicate a pressure of between 0.9 and 1 bar which corresponds to a temperature of 120°C.



### 2°) HIGH PRESSURE-VALVE ADJUSTMENT AND PRESSURE PUMPS CHECKING

The HP valve is located in the rear right corner of the machine. The right side must therefore be dismantled.


The valve must open at about 13 bar.

Nota: Each unit is fed by its own pump.

It's necessary to have special tools :

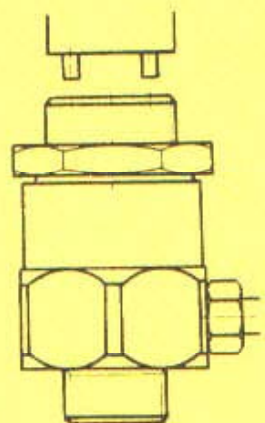
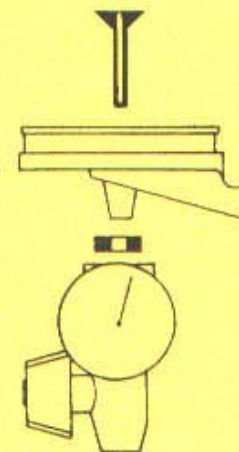
- a pin wrench
- a special device which consists of a pressure-gauge and a tap.

#### HOW TO PROCEED

- Remove the filter from the filter-holder.
- Fix the special device to the filter-holder and insert it on an unit.
- Press  to start the pump corresponding to the chosen unit.

- Turn the tap of the control device and check there is no leak. The pressure gauge must indicate a pressure around 15 bar when the HP valve drips and when the pump is working.  
If it isn't the case, make the adjustment of the HP valve (when the pump is working) as follows :

LOOSEN to DECREASE the HP valve opening pressure.  
TIGHTEN to INCREASE the HP valve opening pressure.



- If the pressure of 15 bar can not be reached :  
Check the hydraulic circuit :
  - the shutoff valve of the coffee machine
  - the water supply pressure...
- Check there is no leak by the pipe group discharge during "infusion cycle" due to a faulty electrovalve.

(For the Twin Phoenix, compare the two pumps by using the other unit)

- Replace the faulty pump if necessary.

### 3°) ADJUSTMENT OF THE VARIOUS AMOUNTS OF COFFEE IN THE CUP

. Remove the cup rack to get to the three regulator screws located on each unit electronic box.

. Remove the rubber plug.

. TIGHTEN to INCREASE the dose,

. LOOSEN to DECREASE the dose.

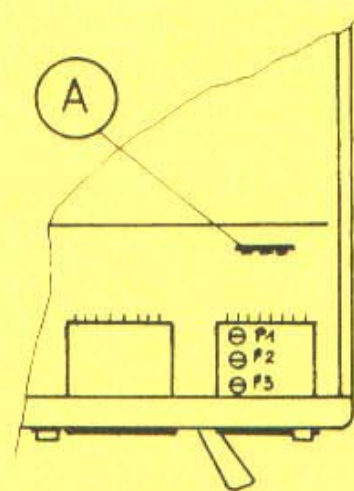
P 1 corresponds to key



P 2 corresponds to key



P 3 corresponds to key



. When the adjustment is finished, set the rubber plug back into place and screw the cup rack back in place.

IF YOU USE A UNIC WATER-SOFTENER, READ CAREFULLY THE TWO FOLLOWING PAGES.

# How often to regenerate the water softener

Example:

You use 3 kg of coffee a day, that is to say 420 7-cl cups of coffee for which you use 30 liters of water.

You make 150 20-cl cups of tea a day, for which you use 30 liters of water

- So - daily water consumption = 60 liters.
- the hardness of the water is 30° TH

See column 30° and line 60 of the chart below.

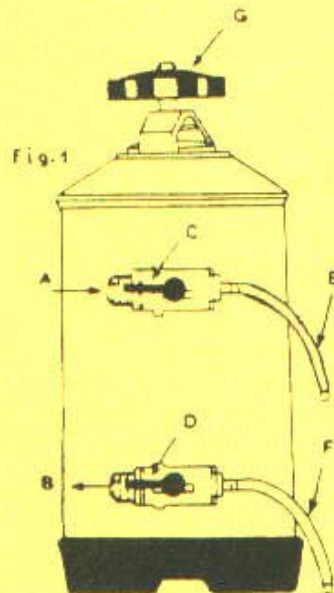
- A DV 50 water softener must be regenerated every 2 weeks.
- A CN 97 water softener must be regenerated every 5 weeks

| Model CN 97 Height : 600mm Diam. : 185mm Resin : 16 liters Salt : 2 kg |                 |      |      |      |      |      |      |      |  |              |
|--|-----------------|------|------|------|------|------|------|------|--|--------------|
| Water hardness °TH   |                 | 20°  | 25°  | 30°  | 40°  | 50°  | 60°  | 80°  | Daily consumption  |              |
| Water softened Mod. CN 97 →  |                 | 2500 | 2350 | 2100 | 1800 | 1600 | 1400 | 1000 | Water in liters  | Coffee in kg |
|  |                 | 36   | 34   | 30   | 26   | 22   | 20   | 14   | 10   | 1            |
| 1  | 10              | 17   | 16   | 14   | 13   | 11   | 10   | 7    | 20   | 2            |
| 1,5  | 15              | 11   | 10   | 9    | 9    | 7    | 7    | 5    | 30   | 3            |
| 2  | 20              | 9    | 8    | 7    | 6    | 5    | 5    | 4    | 40   | 4            |
| 2,5  | 25              | 7    | 6    | 6    | 5    | 4    | 4    | 3    | 50   | 5            |
| 3  | 30              | 6    | 5    | 5    | 4    | 4    | 3    | 2    | 60   | 6            |
| 3,5  | 35              | 5    | 4    | 4    | 4    | 3    | 3    | 2    | 70   | 7            |
| 4  | 40              | 4    | 4    | 4    | 3    | 3    | 2    | 2    | 80   | 8            |
| 4,5  | 45              | 4    | 3    | 3    | 3    | 2    | 2    | 2    | 90   | 9            |
| 5  | 50              | 3    | 3    | 3    | 3    | 2    | 2    | 1    | ← NUMBER OF WEEKS BETWEEN 2 REGENERATIONS IN FUNCTION OF COFFEE OUTPUT AND WATER HARDNESS. |              |
| 5,5  | 55              | 3    | 3    | 3    | 2    | 2    | 2    | 1    |  |              |
| 6  | 60              | 3    | 3    | 2    | 2    | 2    | 2    | 1    |  |              |
| 6,5  | 65              | 3    | 2    | 2    | 2    | 2    | 1    | 1    |  |              |
| 7  | 70              | 2    | 2    | 2    | 2    | 1    | 1    | 1    |  |              |
| 7,5  | 75              | 2    | 2    | 2    | 2    | 1    | 1    | 1    |  |              |
| 8  | 80              | 2    | 2    | 2    | 2    | 1    | 1    | 1    |  |              |
| coffee in kg   | water in liters | 1200 | 1100 | 1000 | 900  | 760  | 700  | 500  | Softened water mod. DV 50  |              |
| Daily consumption  |                 | 20°  | 25°  | 30°  | 40°  | 50°  | 60°  | 80°  | Water hardness °TH   |              |

Model DV 50 Height : 400mm Diam. : 185mm Resin : 8 liters Salt : 1 kg

# How to regenerate your water-softener ?

- A - Water inlet
- B - Water outlet
- C - Inlet cock
- D - Outlet cock
- E - Depression tube
- F - Regeneration tube
- G - Lid knob

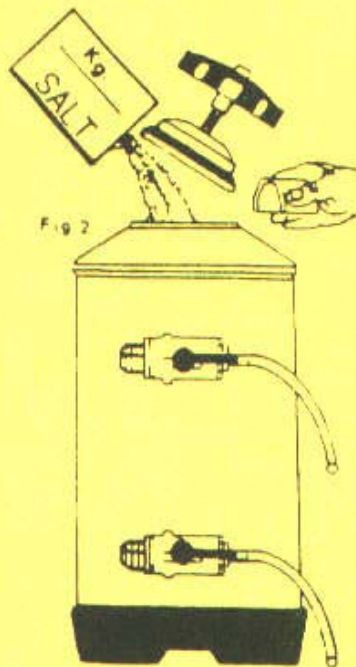


For a water softener 400mm high, use 1 kg of salt.

For a water softener 600mm high, use 2 kg of salt.

## REGENERATION PROCEDURE

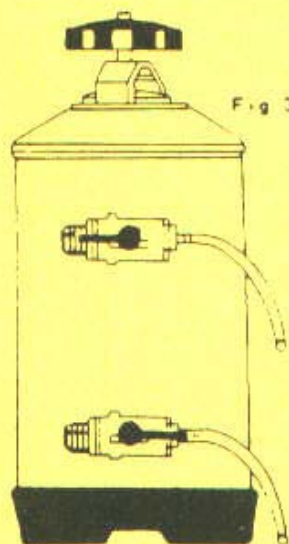
- ① Place an empty 2-liter container under tube E.



- ② Turn handles C and D from the left to the right.

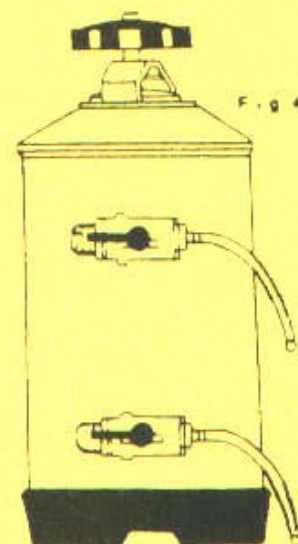
Take off the lid by unscrewing the knob G.

Pour in the salt.



- ③ Put the lid back on. Turn handle C from the right to the left.

Let the salty water flow out of tube F until it is soft.



- ④ Turn handle D from the right to the left.

## **DAILING CLEANING AND MAINTENANCE**

### Coffee unit :

- Carry out 2 or 3 infusion cycles without any coffee in the filter to clean the unit and the filter-holder joint (filter-holders not tightened)
- Wash the filter-holders and the filters in soapy water.

### Overflow tray :

- Remove the overflow tray to empty it and rinse it under the tap.

### Steam outlet tube :

- After each use, clean the steam tube with a wet rag and push steam push-button for a short moment to eliminate the small amount of liquid (milk) left inside the tube.

### Body :

- Clean the body of the machine using a soft cloth and alcohol for the stainless-steel parts and a non-abrasive detergent for the painted parts.

**Do not forget to regenerate your water softener periodically.**

### **ATTENTION :**

Air must be able to circulate freely all around the machine. The ventilation holes located at the rear and on the top of the machine must not be obstructed.

**The machine is not to be operated without its legs.**



## TROUBLE SHOOTING

### VERY IMPORTANT

**BEFORE TAKING ANY ACTION MAKE SURE THAT ALL THE ADJUSTMENTS ARE CORRECT.**

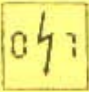
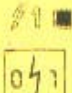
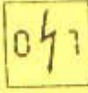


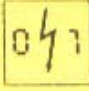

**1. TEMPERATURE 120°C**


**STEAM PRESSURE 0,9 to 1 bar (14 PSI)**  
(by using a calibrated pressure gauge mounted on the steam outlet tube)






**2. INFUSION PRESSURE 9 to 10 bar (140 PSI)**

**High pressure valve opening : over 15 bar (210 PSI)**  
(by using the special device described at the page 3)


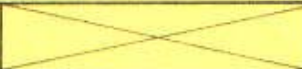
**3. WATER SUPPLY PRESSURE 1,3 bar to 8 bar (19 PSI to 116 PSI)**

|   |  |
|---|--|
| <p>1 Push button  Switch on and indicator lights  are off</p> | <p>Check :<br/> - Electric supply<br/> - Push button </p>   |
| <p>2 An Indicator light   blinks permanently</p>              | <p>Water intake problems:<br/> See IV 1. a page 2<br/> " Filling the steam boiler"</p> <p>Check:</p> <ul style="list-style-type: none"> <li>- The water supply tap and the pressure</li> <li>- The filter on the inlet elbow</li> <li>- The water intake solenoid valve</li> <li>- The corresponding level probes</li> <li>- The water level electronic box, the fuse</li> <li>- The wiring</li> </ul>   |
| <p>3 Pumps, unit solenoid valve and water intake solenoid valve don't work although the indicator lights of two electronic boxes are correct.</p>   | <p>Check the fuses located at the back of each level electronic box</p>  |
| <p>4 The machine is cold</p>  | <p>Check:  and </p> <ul style="list-style-type: none"> <li>- The push buttons</li> </ul> <p>(see electric diagram)</p> <ul style="list-style-type: none"> <li>- The pressure switch adjustment</li> <li>- The heating elements</li> </ul> <p>Make sure the steam boiler is not flooded.<br/> (water intake problems)</p> |

|   |   |
|---|---|
| <p>5<br/>Coffee infusion problems</p>                                 |   |
| <p>No pressure or low pressure<br/>No flow from the filter-holder</p> | <p>Check :</p> <ul style="list-style-type: none"> <li>- The corresponding pump (see page 3) <ul style="list-style-type: none"> <li>. Inlet flow reducer (green)</li> <li>. Outlet nozzle</li> <li>. The pressure</li> </ul> </li> <li>- The water inlet filter (after the elbow)</li> <li>- The unit solenoid valve</li> <li>- The different filters of the unit</li> <li>- The water feeding copper pipe of coffee unit</li> </ul> |
| <p>Incorrect dosage</p>   | <p>Check :</p> <ul style="list-style-type: none"> <li>- The pump pressure</li> <li>- There is no leak from the decompression outlet of the unit solenoid valve</li> <li>- The high pressure release valve adjustment (see page 3)</li> <li>- The actual timing and adjust the timer if it's necessary</li> </ul>  |
| <p>Coffee temperature</p>   | <p>Check :</p> <ul style="list-style-type: none"> <li>- Pressure switch adjustment</li> <li>- The 3 heating elements</li> </ul> <p>Make sure the steam boiler is not flooded.</p>   |
| <p>6<br/>Steam outlet</p>   |   |
| <p>. No output</p>  | <p>Check :</p> <ul style="list-style-type: none"> <li>- The steam pressure </li> <li>- The push button</li> <li>- The solenoid valve</li> <li>- The cleaning of steam plug RO29</li> </ul>   |
| <p>. Permanent leak</p>   | <p>- Replace the solenoid valve shutter.</p>  |

|   |  |
|---|--|
| <p>7<br/>Hot water outlet</p>   |  |
| <p>. No output</p>  | <p>Check :</p> <ul style="list-style-type: none"> <li>- The steam pressure </li> <li>- The push button</li> <li>- The solenoid valve</li> </ul> |
| <p>. Permanent leak</p>   | <p>Replace the solenoid valve shutter</p>  |
| <p>8<br/>Steam boiler level problem</p>   |  |
| <p>The boiler is empty and the indicator light   blinks permanently</p> | <p>See point 2</p>   |
| <p>The boiler is empty and   is extinguished</p>                    | <ul style="list-style-type: none"> <li>- The both level probes are connected directly to the ground. The heating elements could be damaged.</li> </ul>   |
| <p>The boiler is flooded. The machine is cold. Water goes out by the steam outlet when you press the corresponding push button. Sometimes the low pressure valve can release water.</p>   | <ul style="list-style-type: none"> <li>- One of the two level probes is disconnected or recovered by scale.</li> <li>- The water intake solenoid valve continually leaks. Replace the shutter.</li> </ul>                          |

**CARACTERISTIQUES TECHNIQUES / TECHNICAL CHARACTERISTICS**

| <b>DIMENSIONS (cm)</b>   | <b>PHOENIX</b>   | <b>TWIN PHOENIX</b>   |
|--|--|---|
| Largeur / <i>width</i><br>Hauteur / <i>height</i><br>Profondeur / <i>depth</i><br>Hauteur pour modèle NSF<br>Height for NSF model  | 26<br>48<br>55<br>48   | 57<br>48<br>55<br>56  |
| <b>POIDS / WEIGHT (kg/lb)</b><br><br>Net / <i>Net</i><br>Brut / <i>Gross</i>   | 31/68<br>35/77   | 51/112<br>66/146  |
| <b>CAPACITES / CAPACITIES</b><br>(litre / <i>liter</i> )<br><br>Chaudière / <i>boiler</i><br>Bassine / <i>overflow tray</i>  | 6,3<br>1   | 10<br>2   |
| <b>CARACTERISTIQUES ELECTRIQUES</b><br><b>ELECTRIC POWER</b><br><br>(Selon modèles)<br>(According models)  | 100V-1,5kW-15A<br>110V-1,7kW-16A   |    |
|  | 200V-2,3kW-12A<br>220V-2,7kW-13A<br>230V-3,0kW-13A<br>240V-3,3kW-14A                     |   |
| <b>PUISSANCE DE CHAUFFE</b><br><b>HEATING POWER</b>  | 110V 1,5kW   |  |
|  | 220V 2,5kW   |   |
| <b>CAFES /heure</b><br><b>CUPS / hour</b>  | 120  | 240   |
| <b>EAU CHAUDE litres/heure</b><br><b>HOT WATER liters/hour</b><br><br>(Pour modèles 220V<br>for 220V models)   | 20   | 20  |
| <b>DOSAGE / DOSAGE</b><br><br>Pour chaque groupe<br>For each unit  | 3 doses préréglées<br>par temporisation<br>3 preset doses with<br>adjustable timers      |   |
| <b>REGLAGES / ADJUSTMENTS</b><br><br>Température / <i>temperature</i><br>Pression vapeur / <i>steam pressure</i><br>Soupape H.P. / <i>H.P. valve</i><br>Soupape B.P. / <i>L.P. valve</i> | 118 - 121 °C<br><br>0,9 - 1 bar (14 PSI)<br><br>13 bar (188 PSI)<br><br>3.2 bar (47 PSI) |   |

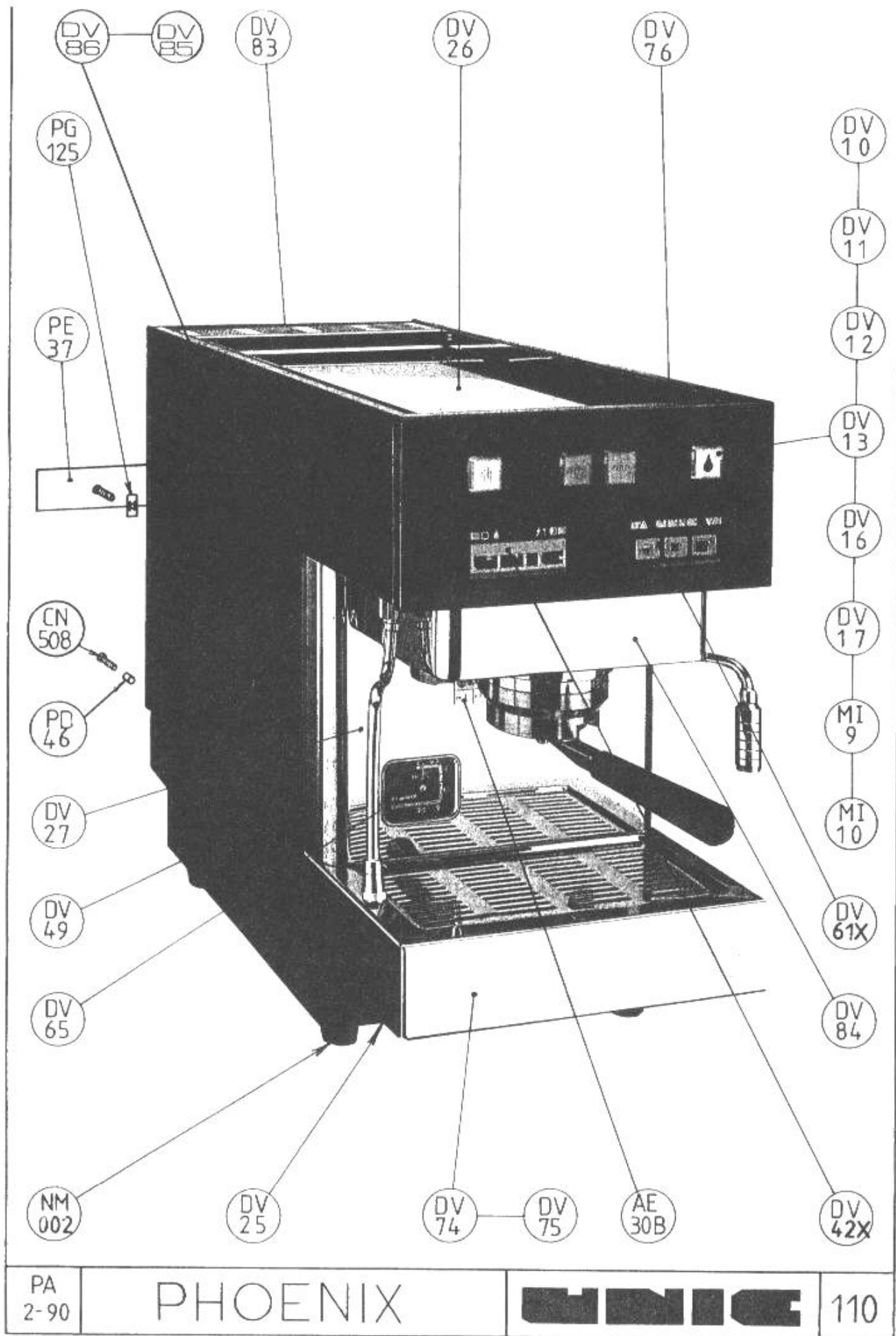
## LISTE DES PIECES DETACHEES

### LIST OF SPARE PARTS

#### PLANCHES PLATES

|     |                                       |                               |
|-----|---------------------------------------|-------------------------------|
| 110 | PHOENIX                               | PHOENIX                       |
| 130 | TWIN PHOENIX                          | TWIN PHOENIX                  |
| 160 | GROUPE                                | UNIT                          |
| 170 | GROUPE ET MANOMETRE                   | UNIT AND MANOMETER            |
| 190 | ELECTROVANNE 3 VOIES                  | ELECTROVALVE 3 WAYS           |
| 210 | BOITIERS ELECTRONIQUES                | ELECTRONIC BOXES              |
| 230 | CHAUDIERE TWIN PHOENIX                | TWIN PHOENIX BOILER           |
| 240 | CHAUDIERE PHOENIX                     | PHOENIX BOILER                |
| 270 | CIRCUIT HYDRAULIQUE PHOENIX           | PHOENIX HYDRAULIC CIRCUIT     |
| 280 | TUBES PHOENIX                         | PHOENIX TUBES                 |
| 310 | CIRCUIT HYDRAULIQUE TWIN              | TWIN HYDRAULIC CIRCUIT        |
| 320 | TUBES TWIN PHOENIX                    | TWIN PHOENIX TUBES            |
| 340 | POMPES VIBRANTES                      | VIBRATING PUMPS               |
| 350 | SOUPAPE BP                            | LP VALVE                      |
| 360 | SOUPAPE HP                            | HP VALVE                      |
| 370 | ELECTROVANNE 2 VOIES                  | ELECTROVALVE 2 WAYS           |
| 380 | ELECTROVANNES EAU CHAUDE<br>ET VAPEUR | HOT WATER STEAM ELECTROVALVES |
| 400 | ALIMENTATION HYDRAULIQUE PH.          | PHOENIX HYDRAULIC FEEDING     |
| 410 | ALIMENTATION HYDRAULIQUE TWIN         | TWIN PH. HYDRAULIC FEEDING    |
| 420 | PRESSOSTAT                            | PRESSURESTAT                  |
| 430 | RESISTANCE                            | HEATING ELEMENT               |
| 440 | PIEDS NSF                             | NSF FEET                      |
| 490 | SCHEMA DE PRINCIPE PHOENIX            | PHOENIX SKELETON DIAGRAM      |
| 500 | SCHEMA DE CABLAGE PHOENIX             | PHOENIX WIRING DIAGRAM        |
| 510 | SCHEMA DE PRINCIPE TWIN PHOENIX       | TWIN PHOENIX SKELETON DIAGRAM |
| 520 | SCHEMA DE CABLAGE TWIN PHOENIX        | TWIN PHOENIX WIRING DIAGRAM   |
| 530 | SORTIE TEFLON                         | TEFLON STEAM SPOUT            |
| 550 | KIT CAFE ITALIEN                      | ITALIAN COFFEE KIT            |
| 560 | VIDANGE                               | DRAIN                         |

|        |                                |                               |
|--------|--------------------------------|-------------------------------|
| AE-30B | PLAQUE IDENT. NON NUMEROTEE    | NAMEPLATE                     |
| CN-508 | VIS INOX TC CRUCIFORME 4 X 10  | SCREW M4X10                   |
| DV-10  | PLAQUE ADHESIVE "CHAUFFAGE"    | DECAL - HEATING               |
| DV-11  | PLAQUE ADHESIVE "VAPEUR"       | DECAL - STEAM                 |
| DV-12  | PLAQUE ADHESIVE "EAU CHAUDE"   | DECAL - HOT WATER             |
| DV-13  | PLAQUE ADHESIV. "MARCHE-ARRET" | DECAL - ON/OFF                |
| DV-16  | BOUTON POUSSOIR 110V UL CSA    | SWITCH -PUSH BUTTON 110V60HZ  |
| DV-17  | CABOCHON BOUTON POUSS. CRISTAL | SWITCH LENS - TRANSPARENT     |
| DV-25  | TOLE PROTECTION INFERIEUR      | PANEL - UNDER CARRIAGE        |
| DV-26  | CHAUFFE TASSE "DIVA"           | PANEL - TOP - CHROME          |
| DV-27  | DEVANT "DIVA"                  | PANEL - FRONT - LOWER         |
| DV-42X | BTE ELEC NIVEAU 110V 50HZ      | LEVEL ELECTRONIC BOX 110V 50H |
| DV-49  | CHASSIS DE DIVA                | FRAME - BLACK                 |
| DV-61X | BOITE ELEC TEMPORISATION 123T  | ELECTRONIC BOX TIMER          |
| DV-65  | MANOMETRE UNE ECHELLE 0-4,5b   | MANOMETER - 0-2.5 BAR         |
| DV-74  | DESSUS DE BASSINE PHOENIX      | DRIP TRAY GRILL               |
| DV-75  | BASSINE PHOENIX                | DRIP TRAY                     |
| DV-76  | CALANDRE PHOENIX NOIRE         | PANEL - FRONT-UPPER-BLACK     |
| DV-83  | CHEMISE PHOENIX NOIRE          | PANEL - REAR - BLACK          |
| DV-84  | JUPETTE PHOENIX                | PANEL - GROUP FACADE          |
| DV-85  | COTE DROIT PHOENIX             | PANEL - RIGHT                 |
| DV-86  | COTE GAUCHE PHOENIX            | PANEL - LEFT                  |
| MI-9   | CABOCHON BOUTON POUSS. ROUGE   | SWITCH LENS - RED             |
| MI-10  | CABOCHON BOUTON POUSS. ORANGE  | SWITCH LENS - ORANGE          |
| NM-002 | PIED CAOUTCHOUC NOIR           | FOOT                          |
| PD-46  | ECROU A SERTIR M4              | NUT M4 - RIVET                |
| PE-37  | PLAQUE DE COTE "UNIC"          | PLATE - UNIC                  |
| PG-125 | ECROU RAPID 2,5                | NUT - FASTON                  |



PA  
2-90

PHOENIX

**UNICE**

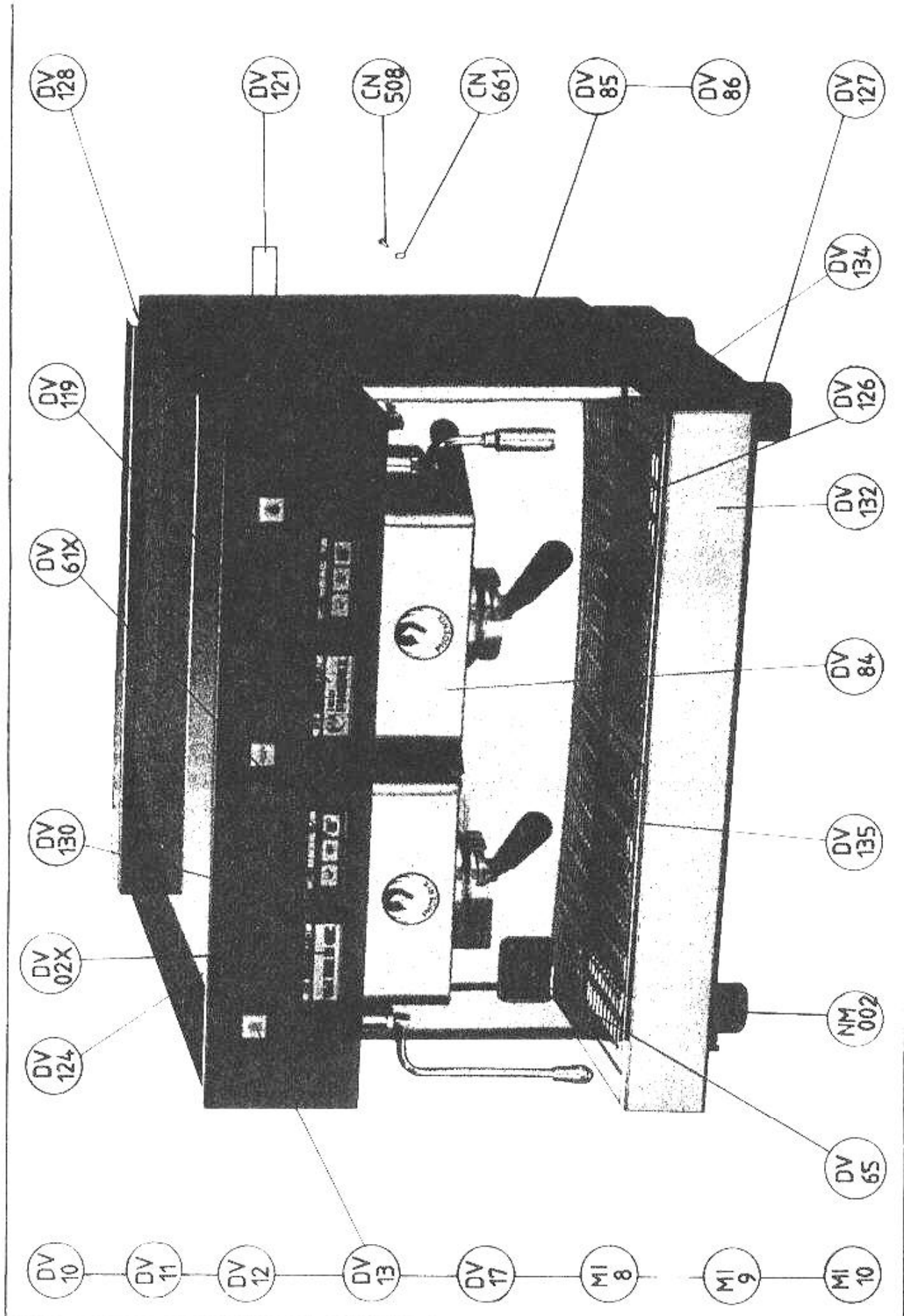
110



|        |                                |                               |
|--------|--------------------------------|-------------------------------|
| CN-508 | VIS INOX 10 CRUCIFORME 4 X 10  | SCREW M4X10                   |
| CN-661 | ECROU RAPID M4 EN CAGE /18126  | NUT                           |
| DV-02X | BTE ELEC NIVEAU DIVA 220V50HZ  | LEVEL ELECTRONIC BOX 220V50HZ |
| DV-10  | PLAQUE ADHESIVE "CHAUFFAGE"    | DECAL - HEATING               |
| DV-11  | PLAQUE ADHESIVE "VAPEUR"       | DECAL - STEAM                 |
| DV-12  | PLAQUE ADHESIVE "EAU CHAUDE"   | DECAL - HOT WATER             |
| DV-13  | PLAQUE ADHESIV. "MARCHE-ARRET" | DECAL - ON/OFF                |
| DV-17  | CABOCHON BOUTON POUSS. CRISTAL | SWITCH LENS - TRANSPARENT     |
| DV-61X | BOITE ELEC TEMPORISATION 1337  | ELECTRONIC BOX TIMER          |
| DV-65  | MANOMETRE UNE ECHELLE 0-4,56   | MANOMETER - 0-2.5 BAR         |
| DV-84  | JUPETTE PHOENIX                | PANEL - GROUP FACADE          |
| DV-85  | COTE DROIT PHOENIX             | PANEL - RIGHT                 |
| DV-86  | COTE GAUCHE PHOENIX            | PANEL - LEFT                  |
| DV-119 | AUTOCOLLANT "TWIN PHOENIX"     | STICKER TWIN PHOENIX          |
| DV-121 | BANDEAU AUTOCOLLANT "Twin"     | STICKER TWIN - UNIC           |
| DV-124 | CHAUFFE TASSES TWIN            | PANEL-TOP-CHROME              |
| DV-126 | DEVANT TWIN                    | PANEL-FRONT-LOWER             |
| DV-127 | TOLE PROTECTION BAS MACHINE    | PANEL-UNDER CARRIAGE          |
| DV-128 | CHEMISE TWIN PHOENIX           | REAR PANEL                    |
| DV-130 | CALANDRE TWIN PHOENIX          | UPPER FRONT PANEL             |
| DV-132 | AVANT BASSINE TWIN PHOENIX     | FRONT OVERFLOW TRAY           |
| DV-134 | BASSINE TWIN                   | OVERFLOW TRAY                 |
| DV-135 | GRILLE DE BASSINE TWIN         | OVERFLOW TRAY GRID            |
| MI-8   | BOUTON POUSSOIR 220V UL CSA    | PUSH-BUTTON                   |
| MI-9   | CABOCHON BOUTON POUSS. ROUGE   | SWITCH LENS - RED             |
| MI-10  | CABOCHON BOUTON POUSS. ORANGE  | SWITCH LENS - ORANGE          |
| NM-602 | PIED CAOUTCHOUC NOIR           | FOOT                          |

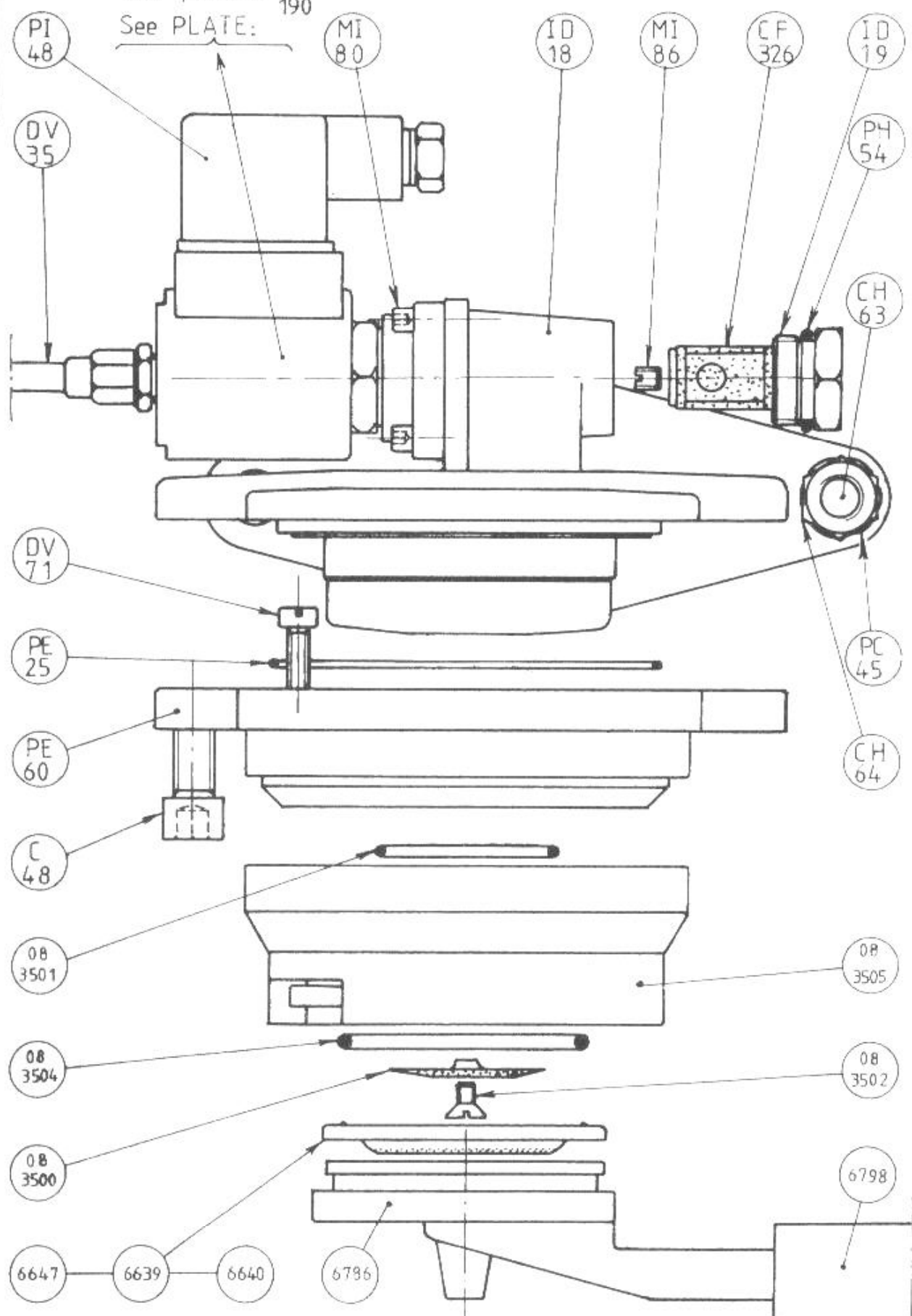
## KIT BASSINE MONTEE COMPLETE REF. DV-132C

| REF.   | QTE | DESIGNATION                   | DESIGNATION         |
|--------|-----|-------------------------------|---------------------|
| DV-132 | 1   | AVANT BASSINE TWIN PHOENIX    | FRONT OVERFLOW TRAY |
| DV-134 | 1   | BASSINE TWIN                  | OVERFLOW TRAY       |
| DV-157 | 1   | RACCORD DE VIDANGE            | DRAIN CONNECTION    |
| DV-158 | 1   | BOUCHON 3/8 VIDANGE           | CAP                 |
| DV-106 | 1   | RACCORD ENTREE EAU SP. CHROME | 3/8 BRASS FITTING   |
| PH-54  | 1   | JOINT TORIQUE                 | GASKET              |
| PG-13  | 4   | VIS M3                        | M3 SCREW            |
| MI-28  | 4   | ECROU RAPIDE M3               | M3 NUT              |
| DV-104 | 2   | PLOT                          | RUBBER BUFFER       |



|         |                               |                                  |
|---------|-------------------------------|----------------------------------|
| 6639    | FILTRE (33MM) TASSE NORMALE   | NOTCH FILTER (33MM) STANDARD CUP |
| 6640    | FILTRE (35MM) GRANDE TASSE    | NOTCH FILTER (35MM) LARGE CUP    |
| 6647    | FILTRE (31MM) TASSE COURTE    | NOTCH FILTER (31MM) SHORT CUP    |
| 6786    | PORTE-FILTRE COMPLET          | COMPLETE FILTER HOLDER           |
| 6798    | POIGNEE DU PORTE-FILTRE       | FILTER HOLDER HANDLE             |
| 08/3500 | DOUCHETTE                     | DIFFUSION SCREEN                 |
| 08/3501 | JOINT 4118                    | O-RING 4118                      |
| 08/3502 | VIS M4 X 8                    | SCREW M4 X 8                     |
| 08/3504 | JOINT VITON 327               | HEAD GASKET 327 VITON            |
| 08/3505 | ADAPTATEUR GROUPE ILLY        | ILLY ADAPTOR GROUP               |
| C-48    | VIS ACIER NIQUELE TCHC 8 X 16 | SCREW M8 X 16 - HEX              |
| CF-326  | FILTRE INOX D.int=12 H=17,5   | FILTER SCREEN - GROUP            |
| CH-63   | BOUJON ACIER NIQUELE DE 10    | SCREW M10 -STUD                  |
| CH-64   | ECROU ACIER ZN Hu 10          | NUT M10 - STEEL                  |
| DV-35   | TUBE DECOMPRESSION ...DIVA... | PIPE - GROUP DISCHARGE           |
| DV-71   | VIS INOX TC 5 X 12 d.tête 7mm | SCREW M5 x 12                    |
| ID-18   | CORPS DE GROUPE INJECTION     | GROUP BODY - EROGATION           |
| ID-19   | INJECTEUR DE PORTE-FILTRE     | FILTER SCREEN BODY -GROUP        |
| MI-80   | VIS INOX CHC 4 x 12           | SCREW M4 X 12 - HEX              |
| MI-86   | GICLEUR 0,7                   | GICLUER - 0.7 - GROUP            |
| PC-45   | RONDELLE GROVER DE 10         | WASHER                           |
| PE-25   | JOINT TOR. VITON 74,27x2,62   | GASKET - 74.27 x 2.62            |
| PE-60   | PORTE-COUBE SPECIAL ILLY CAFE | ILLY F.H. GROUP INTERFACE        |
| PH-54   | JOINT TORIQUE 13,95x2,62      | GASKET - 13.95 x 2.62            |
| PI-48   | CONNECTEUR POUR ELECTROVANNE  | ELECTRICAL - SOLENOID PLUG       |

Voir planche 190  
See PLATE:



PLANCHE

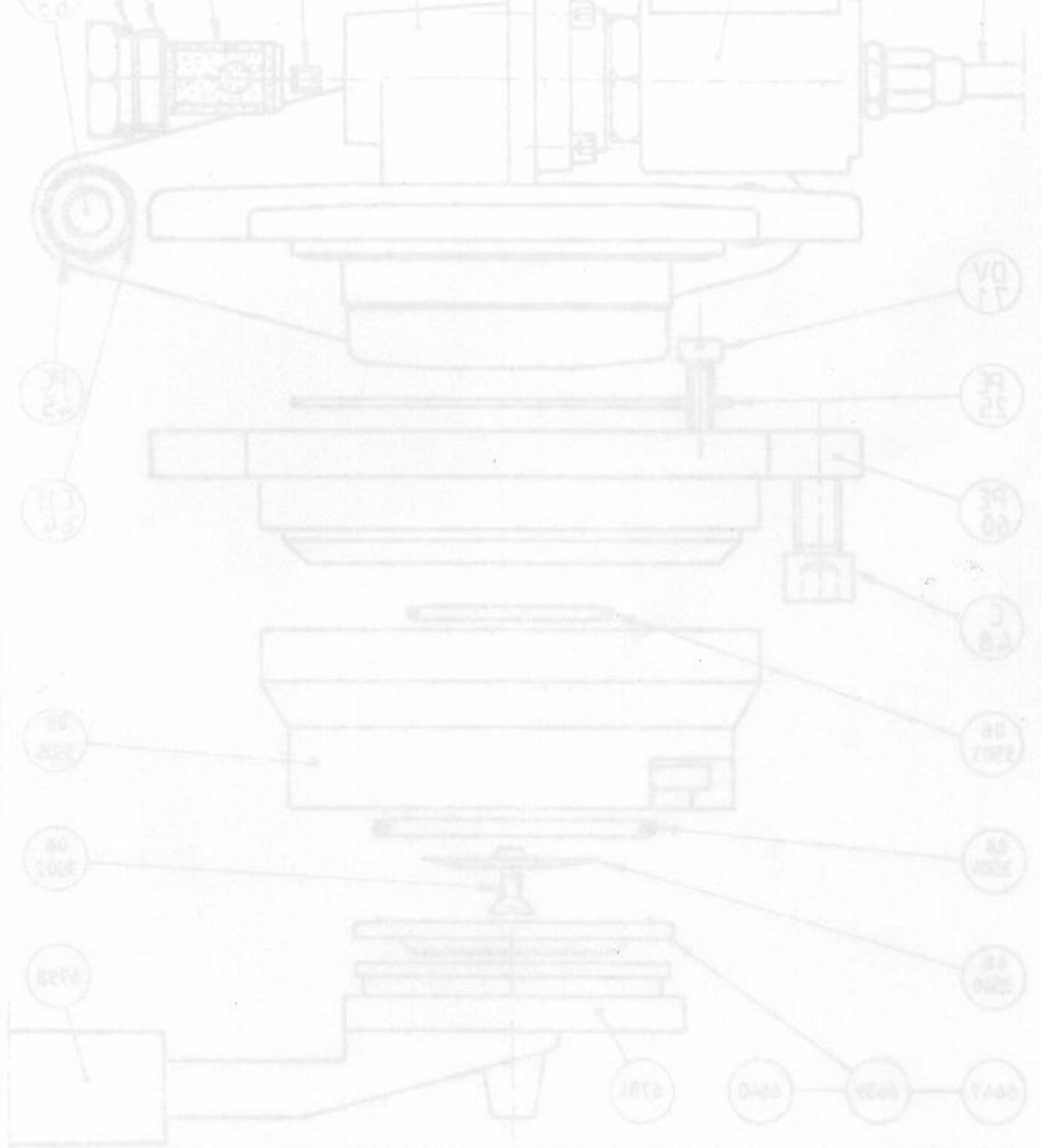
170

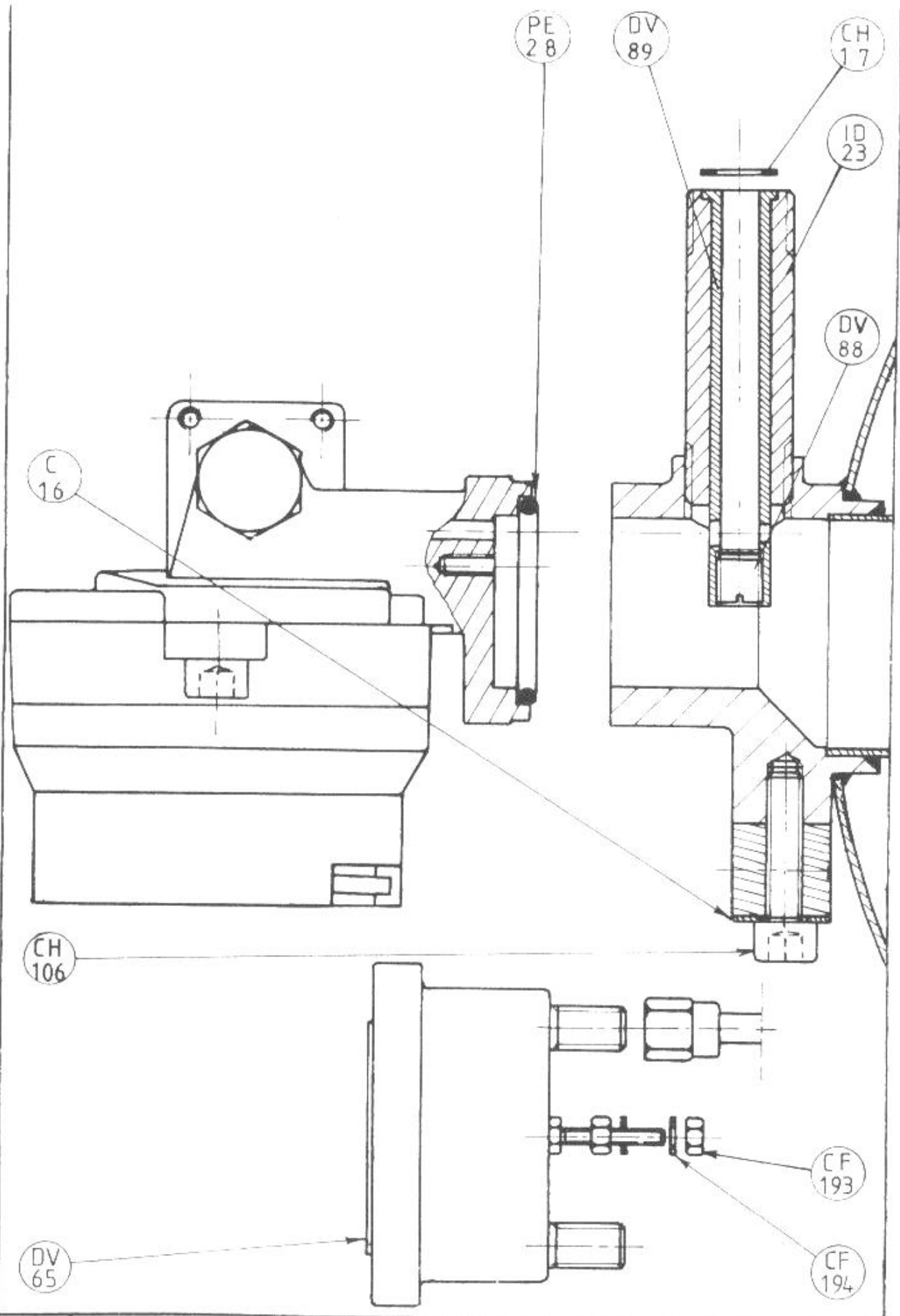
PLATE

- C-16
- CF-193
- CF-194
- CH-17
- CH-106
- DV-65
- DV-88
- DV-89
- ID-23
- PE-28

- RONDELLE ACIER NIQUELE M8
- ECROU LAITON Hv 5
- RONDELLE LAITON DE 5 MOYENNE
- JOINT CUIVRE RECUIT 1/2
- VIS ACIER CHC 8 x 30
- MANOMETRE UNE ECHELLE 0-4,5b
- BOUCHON EN TEFLON
- TUBE ALIMENTATION PR PHOENIX
- RACCORD ALIM. FLASQUE CHAUD.
- JOINT TORIQUE VITON36,09X3,53

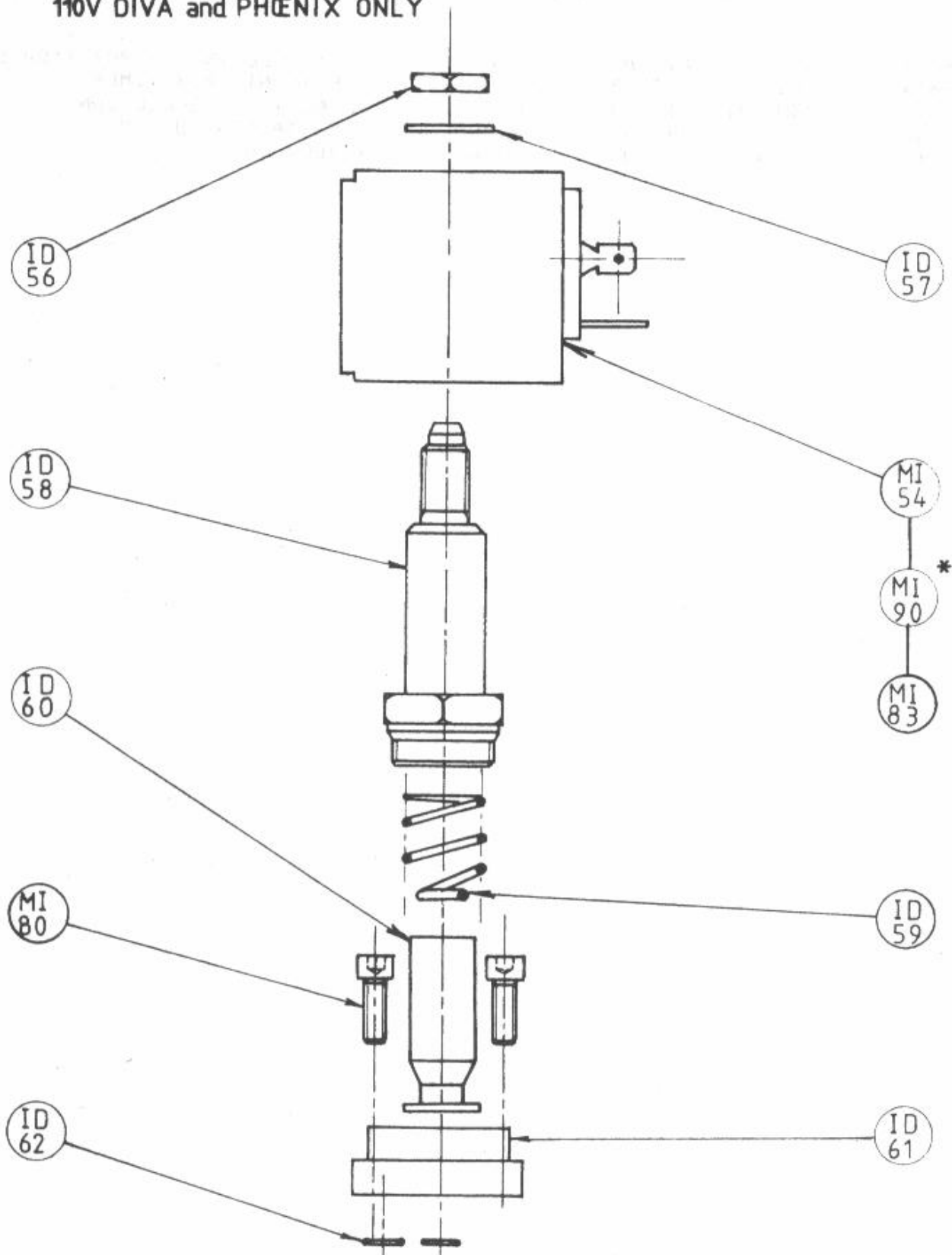
- STEEL WASHER
- NUT M5
- WASHER
- WASHER - COPPER - 1/2
- SCREW M8 X 30 - HEX
- MANOMETER - 0-2.5 BAR
- MIXING TUBE PLUG - GROUP
- MIXING TUBE - TEFLON-GROUP
- GROUP INTAKE CONNECTION
- GASKET - 13.09 x 3.53





|        |  |   |
|--------|--|---|
| ID-56  | ECROU D'ELECTROVANNE   | NUT   |
| ID-57  | RONDELLE DE FREIN  | WASHER  |
| ID-58  | CORPS DEPHASEUR EV. O.D.E.                                       | SOLENOID CASING - GROUP   |
| ID-59  | RESSORT NOYAU ELECTROV. O.D.E                                    | SOLENOID SPRING - GROUP   |
| ID-60  | NOYAU ELECTROVANNE O.D.E. NM                                     | SOLENOID PISTON - GROUP   |
| ID-61  | EMBASE D'ELECTROVANNE O.D.E                                      | SOLENOID BODY - GROUP   |
| ID-62  | JOINT TORIQUE POUR EV PI-45                                      | SOLENOID O'RING - GROUP   |
| MI-54  | BOBINE ELECTROV.8W ODE 220/50                                    | ELECTROVALVE COIL 220V-50HZ                                     |
| MI-80  | VIS INOX CHC 4 x 12  | SCREW M4 X 12 - HEX   |
| MI-83  | BOBINE EV O.D.E 220V 60HZ  | ELECTROVALVE COIL 220V-60HZ                                     |
| MI-90  | BOBINE EV O.D.E 100V50/110V60                                    | SOLENOID COIL 110V60-100V50                                     |
| PI-45  | ELECTROVANNE 3V 220V50HZ   | WHOLE ELECTROVALVE 220V 50HZ                                    |
| PI-45A | ELECTROV.3V 110V60Hz   | WHOLE ELECTROVALVE 110V 60HZ                                    |
| PI-45B | ELECTROVANNE 3V. 220V 60HZ                                       | WHOLE ELECTROVALVE 220V-60HZ                                    |
| PI-45W | ELECTROVANNE COMPLETE SANS<br>BOBINE - Diamètre de passage : 1,5 | COMPLETE ELECTROVALVE WITHOUT<br>SOLENOID COIL - Diameter : 1,5 |
| PI-45X | ELECTROVANNE COMPLETE SANS<br>BOBINE - Diamètre de passage : 1   | COMPLETE ELECTROVALVE WITHOUT<br>SOLENOID COIL - Diameter : 1   |

\* 110V uniquement DIVA et PHENIX  
 110V DIVA and PHENIX ONLY



|                       |                                       |         |
|-----------------------|---------------------------------------|---------|
| ELECTROVANNE COMPLETE | { 220V-50Hz<br>220V 60Hz<br>110V 60Hz | PI 45   |
| COMPLETE ELECTROVALVE |                                       | PI 45B  |
|                       |                                       | PI 45A* |



PLANCHE

210

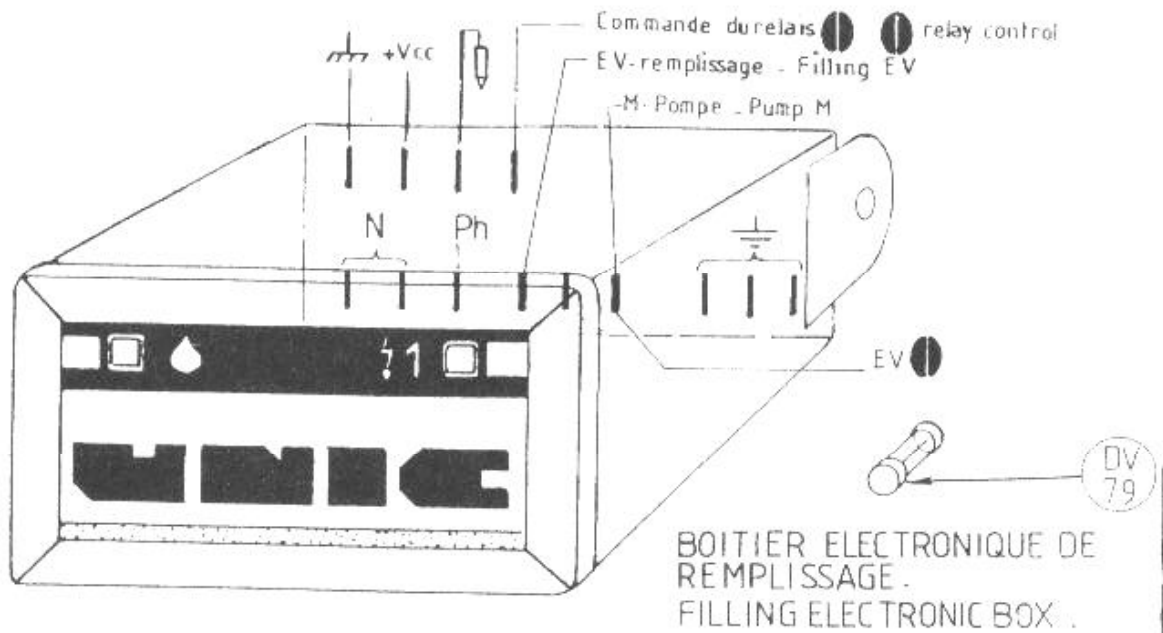
PLATE

DV-42X  
DV-61X  
DV-69  
DV-79  
DV-96

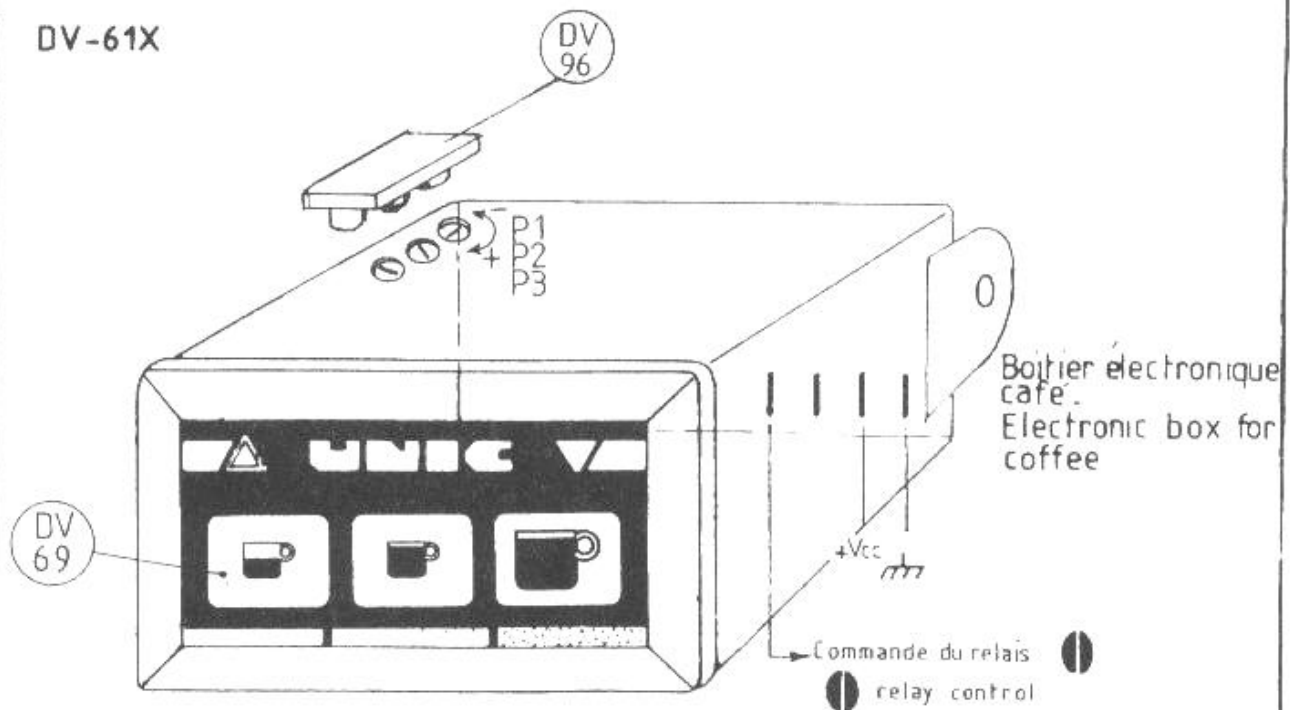
BTE ELEC NIVEAU 110V 50HZ  
BOITE ELEC TEMPORISATION 123T  
ADHESIF BOITIER TEMPORISATION  
FUSIBLE TTT 5A 125V RETARDE  
BOUCHON PR TROU VIS REGLAGE

LEVEL ELECTRONIC BOX 110V 50H  
ELECTRONIC BOX TIMER  
DECAL - CUP SELECTION  
FUSE 5A 125V DELAYED  
RUBBER CAP

DV-42X



DV-61X



PLANCHE

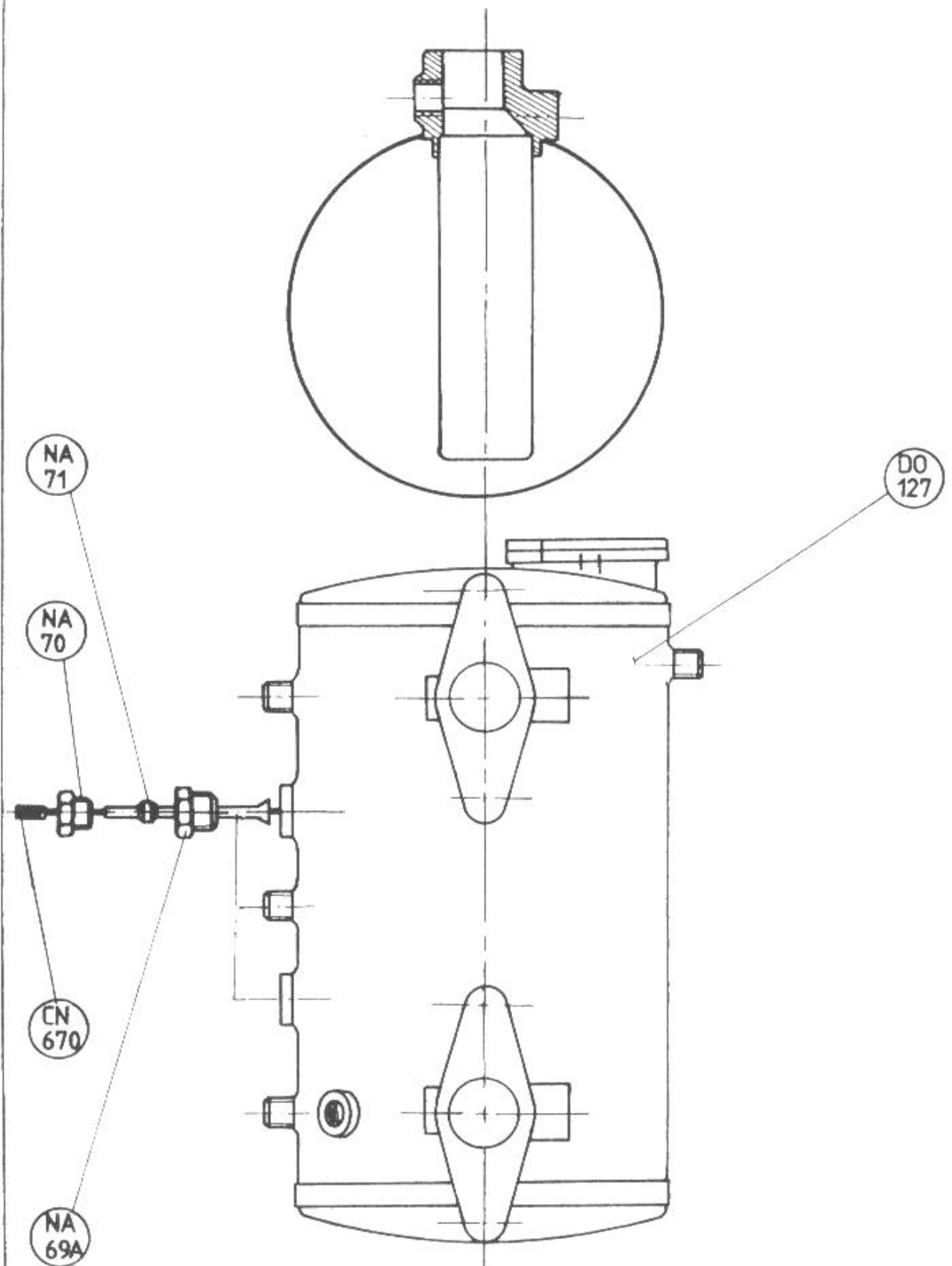
230

PLATE

CN-670  
DO-127  
NA-69A  
NA-70  
NA-71

SONDE NIVEAU BAS INOX 2,5X165  
CHAUDIERE DOSAMAT 2 GR.  
PORTE SONDE EN LAITON  
BLOCAGE ELECTRODE NIVEAU AUTO  
PORTE-ELECTRODE EN TEFLON

LEVEL PROBE 2.5 x 165  
2 UNIT BOILER  
PROBE HOLDER CONNECTION  
LEVEL PROBE COMPRESSION NUT  
LEVEL PROBE INSULATION



PLANCHE

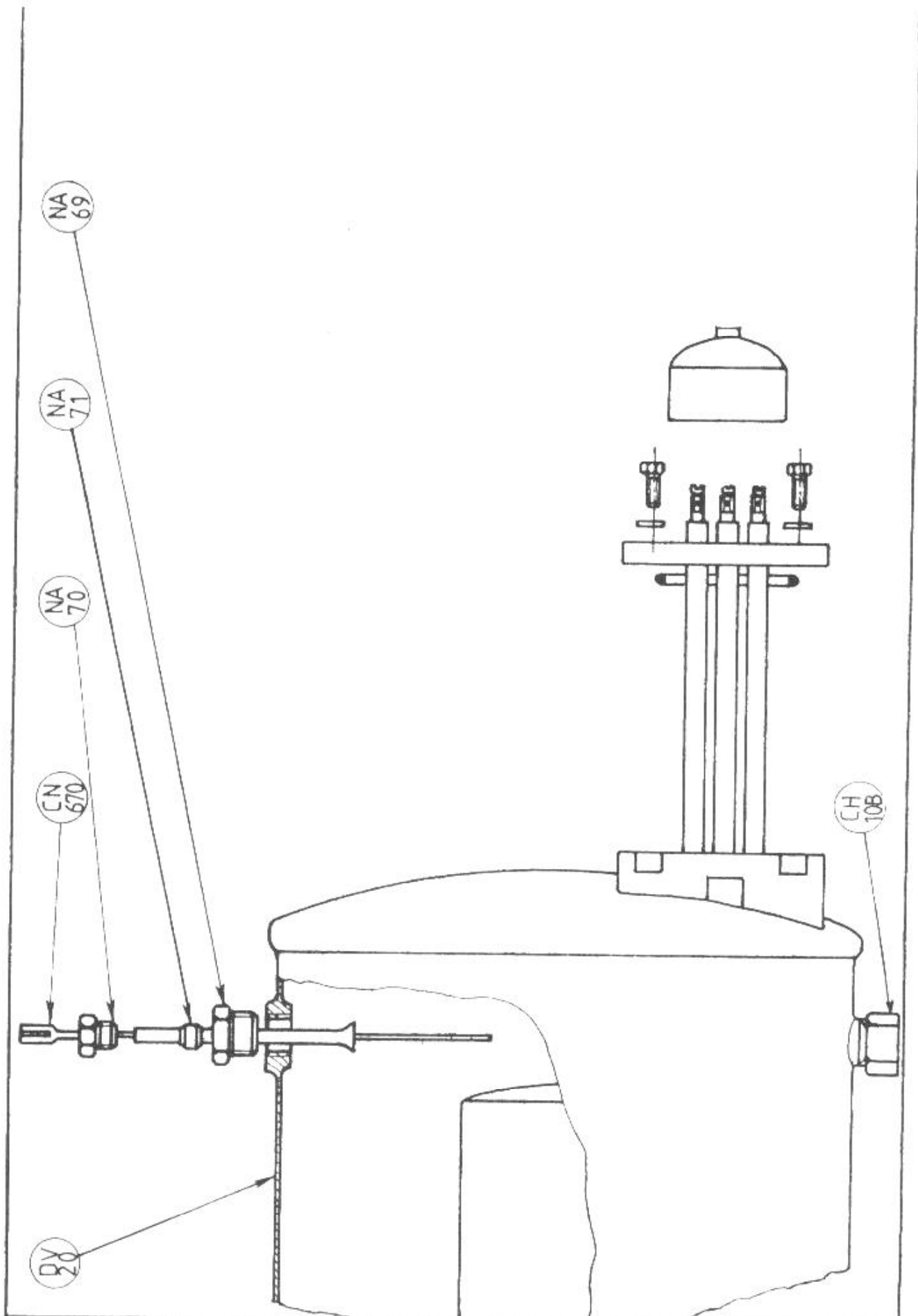
240

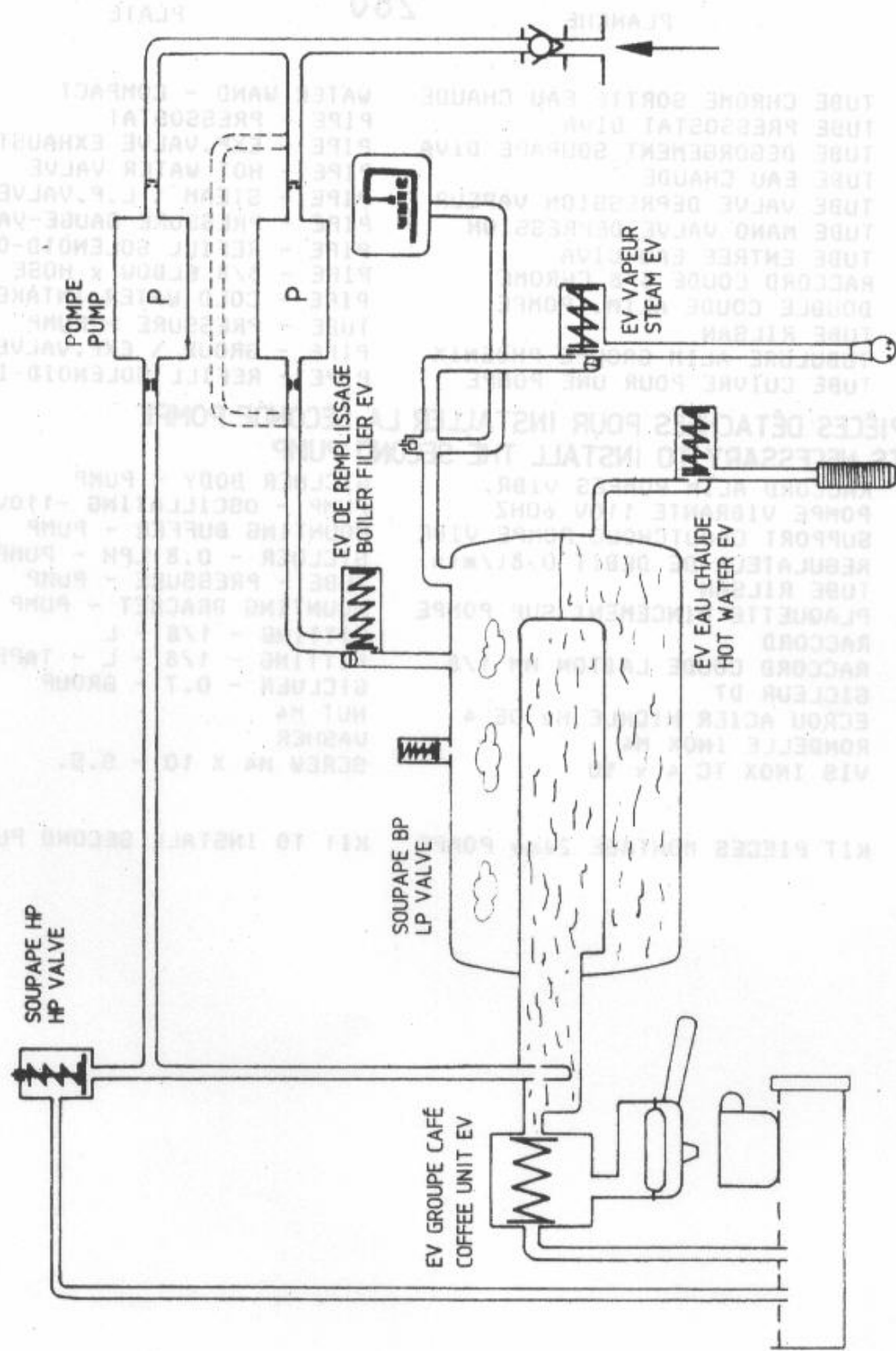
PLATE

CH-10B  
CN-670  
DV-20  
NA-69  
NA-70  
NA-71

ECROU BORGNE 3/8 DE CHAUDIERE  
SONDE NIVEAU BAS INOX 2,5X165  
CHAUDIERE FINIE NUE PR "DIVA"  
SUPPORT PORTE-ELECTRODE  
BLOCAGE ELECTRODE NIVEAU AUTO  
PORTE-ELECTRODE EN TEFLON

NUT - 3/8 - DRAIN PLUG  
LEVEL PROBE 2.5 x 165  
BOILER - 6 LITER  
LEVEL PROBE BASE NUT  
LEVEL PROBE COMPRESSION NUT  
LEVEL PROBE INSULATION





----- CIRCUIT SANS LA POMPE DE REMPLISSAGE CHAUDIÈRE  
 CIRCUIT WITHOUT BOILER FILLER PUMP

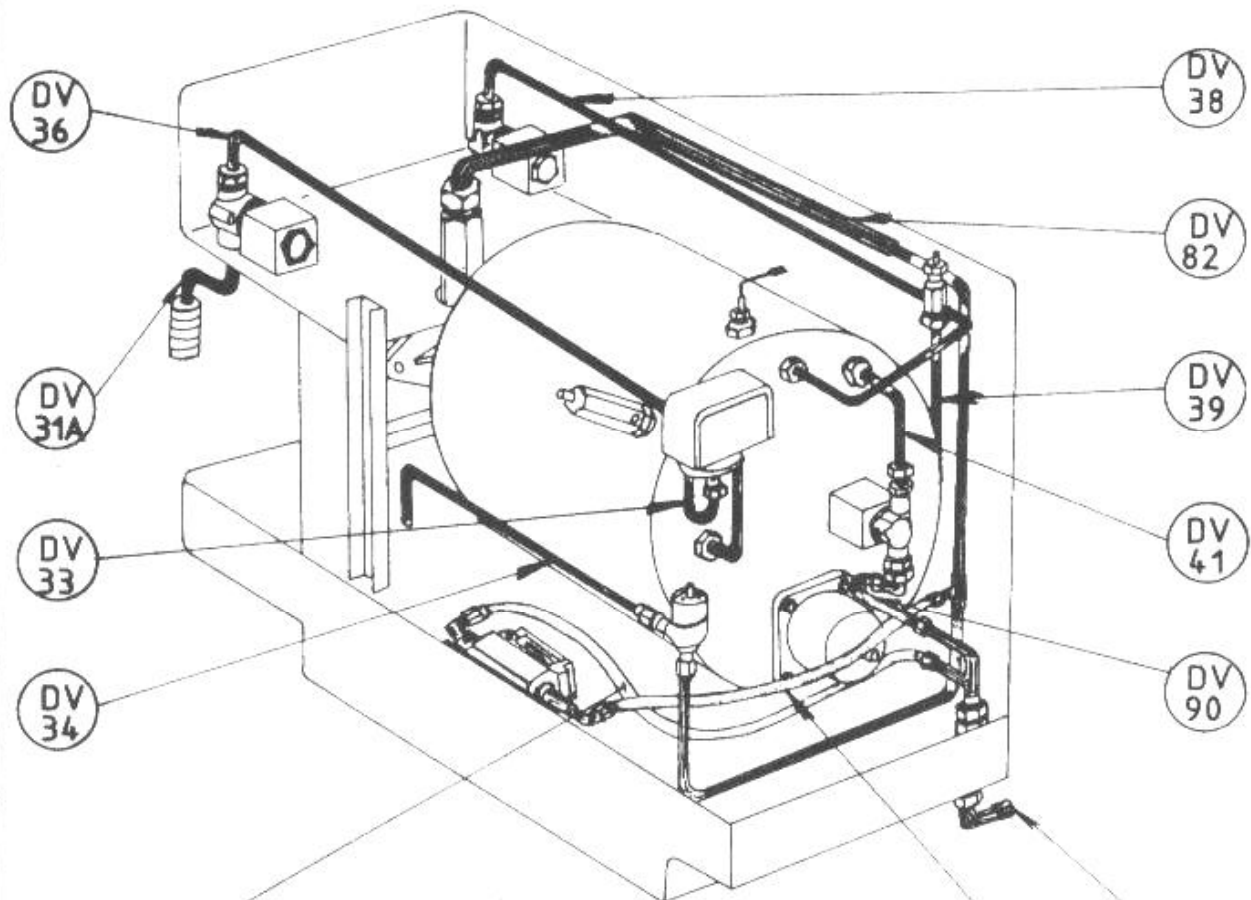
|        |                               |                             |
|--------|-------------------------------|-----------------------------|
| DV-31A | TUBE CHROME SORTIE EAU CHAUDE | WATER WAND - COMPACT        |
| DV-33  | TUBE PRESSOSTAT DIVA          | PIPE - PRESSOSTAT           |
| DV-34  | TUBE DEGORGEMENT SOUPE DIVA   | PIPE - EXP.VALVE EXHAUST    |
| DV-36  | TUBE EAU CHAUDE               | PIPE - HOT WATER VALVE      |
| DV-38  | TUBE VALVE DEPRESSION VAPEUR  | PIPE - STEAM \ L.P.VALVE    |
| DV-39  | TUBE MANO VALVE DEPRESSION    | PIPE - PRESSURE GAUGE-VALVE |
| DV-41  | TUBE ENTREE EAU DIVA          | PIPE - REFILL SOLENOID-OUT  |
| DV-62  | RACCORD COUDE 3/8 CHROME      | PIPE - 3/8 ELBOW x HOSE     |
| DV-77  | DOUBLE COUDE ALIM. POMPE      | PIPE - COLD WATER INTAKE    |
| DV-78  | TUBE RILSAN                   | TUBE - PRESSURE - PUMP      |
| DV-82  | TUBULURE ALIM GROUPE PHOENIX  | PIPE - GROUP \ EXP.VALVE    |
| DV-90  | TUBE CUIVRE POUR UNE POMPE    | PIPE - REFILL SOLENOID-IN   |

**LISTE DES PIÈCES DÉTACHÉES POUR INSTALLER LA SECONDE POMPE**  
**SPARE PARTS NECESSARY TO INSTALL THE SECOND PUMP**

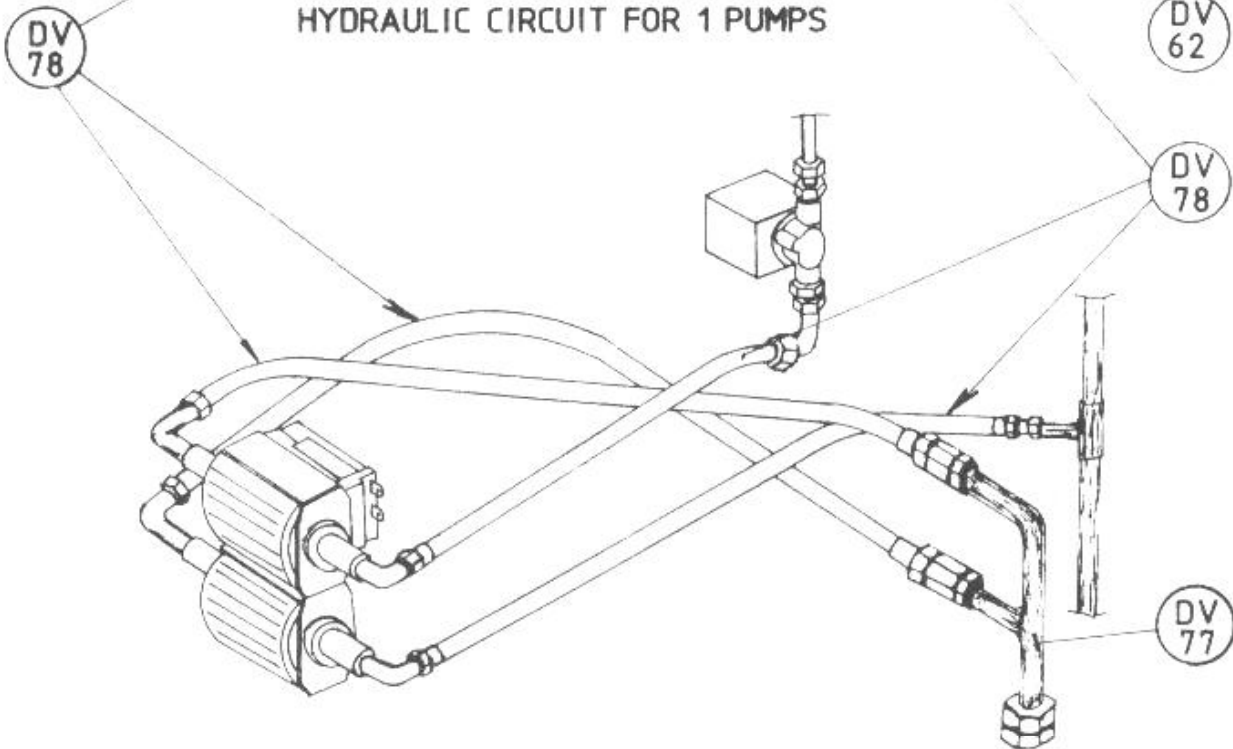
|        |                               |                               |
|--------|-------------------------------|-------------------------------|
| DV-63  | RACCORD ALIM POMPES VIBR.     | GICLUER BODY - PUMP           |
| DV-66  | POMPE VIBRANTE 110V 60HZ      | PUMP - OSCILLATING -110V.60HZ |
| DV-67  | SUPPORT CAOUTCHOUC POMPE VIBR | MOUNTING BUFFER - PUMP        |
| DV-68  | REGULATEUR DE DEBIT 0,8l/min. | GICLUER - 0.8 LPH - PUMP      |
| DV-78  | TUBE RILSAN                   | TUBE - PRESSURE - PUMP        |
| DV-80  | PLAQUETTE PINCEMENT SUP POMPE | MOUNTING BRACKET - PUMP       |
| M1-46  | RACCORD                       | FITTING - 1/8 - L             |
| M1-64  | RACCORD COUDE LAITON MM 1/8   | FITTING - 1/8 - L - TAPPED    |
| M1-86  | GICLEUR D7                    | GICLUER - 0.7 - GROUP         |
| PG-14  | ECROU ACIER NICKLE Hu DE 4    | NUT M4                        |
| PG-15B | RONDELLE INOX M4              | WASHER                        |
| RO-13  | VIS INOX TC 4 x 10            | SCREW M4 X 10 - S.S.          |

|       |                               |                            |
|-------|-------------------------------|----------------------------|
| DV-92 | KIT PIECES MONTAGE 2ème POMPE | KIT TO INSTALL SECOND PUMP |
|-------|-------------------------------|----------------------------|





CIRCUIT HYDRAULIQUE POUR 1 POMPE  
HYDRAULIC CIRCUIT FOR 1 PUMPS

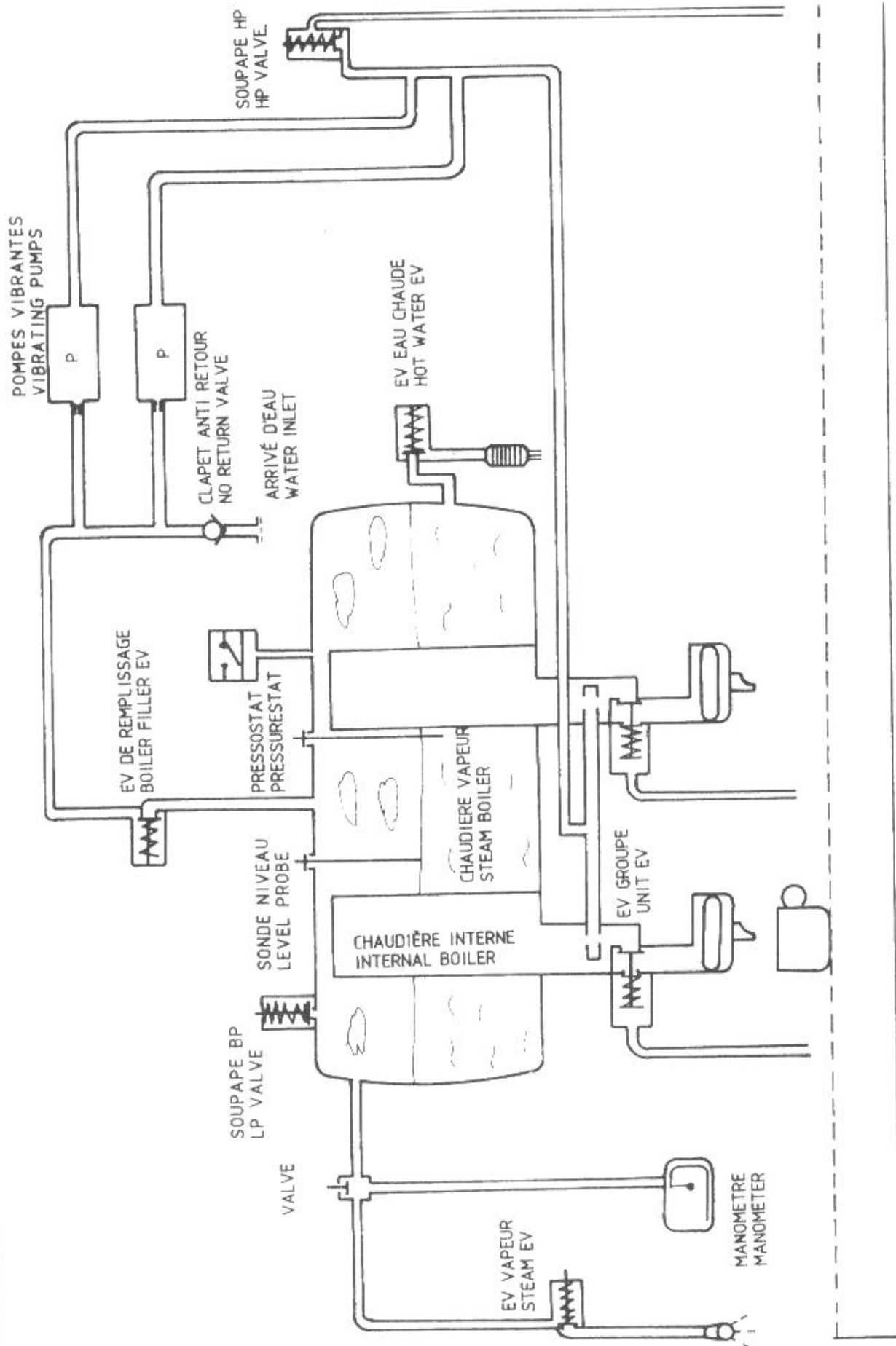


CIRCUIT HYDRAULIQUE POUR 2 POMPE  
HYDRAULIC CIRCUIT FOR 2 PUMPS

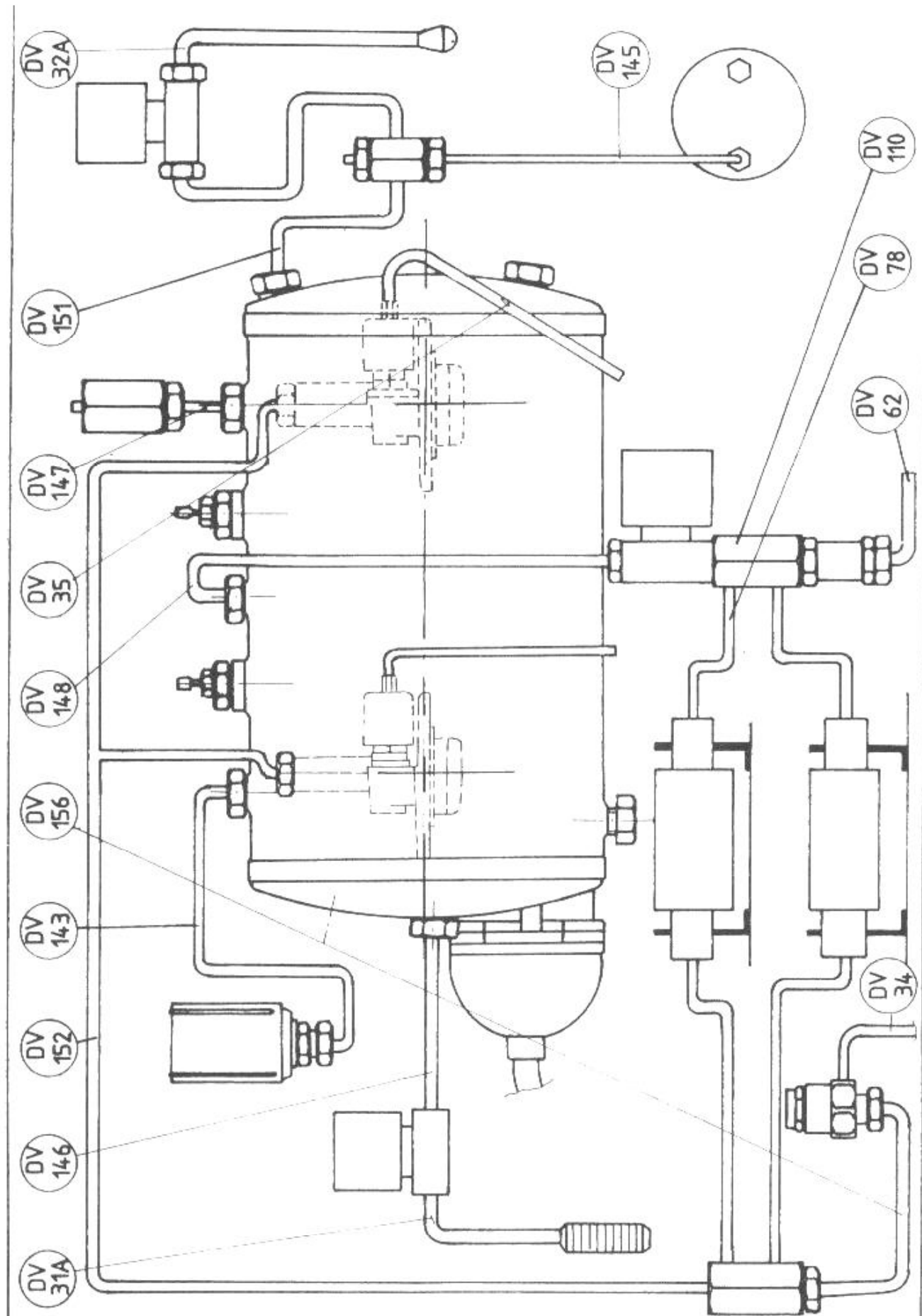
90 TUBES  
09/7 TUBES

**UNIC**

280



|        |                               |                           |
|--------|-------------------------------|---------------------------|
| DV-31A | TUBE CHROME SORTIE EAU CHAUDE | WATER WAND - COMPACT      |
| DV-32A | TUBE CHROME SORTIE VAPEUR     | STEAM WAND - COMPACT      |
| DV-34  | TUBE DEGORGEMENT SOUPE DIVA   | PIPE - EXP. VALVE EXHAUST |
| DV-35  | TUBE DECOMPRESSION ...DIVA... | PIPE - GROUP DISCHARGE    |
| DV-62  | RACCORD COUDE 3/8 CHROME      | PIPE - 3/8 ELBOW x HOSE   |
| DV-78  | TUBE RILSAN                   | TUBE - PRESSURE - PUMP    |
| DV-110 | RACCORD ALIM. POMPE & EV      | FITTING-1/8-1/8-3/8       |
| DV-143 | TUBE PRESSOSTAT SEC TWIN DIVA | PIPE-PRESSURESTAT         |
| DV-145 | TUBE MANOMETRE                | PIPE-MANOMETER            |
| DV-146 | TUBE EAU CHAUDE               | PIPE-HOT WATER            |
| DV-147 | TUBE SOUPE B.P.               | PIPE-LP VALVE             |
| DV-148 | TUBE ALIM. CHAUDIERE TWIN PH. | PIPE-BOILER FILLING       |
| DV-151 | TUBE VAPEUR                   | PIPE-STEAM                |
| DV-152 | RAMPE ALIM GROUPES TWIN PHOEN | PIPE-UNIT FILLING         |
| DV-156 | TUBE SOUPE HP TWIN PHOENIX    | PIPE-HP VALVE             |

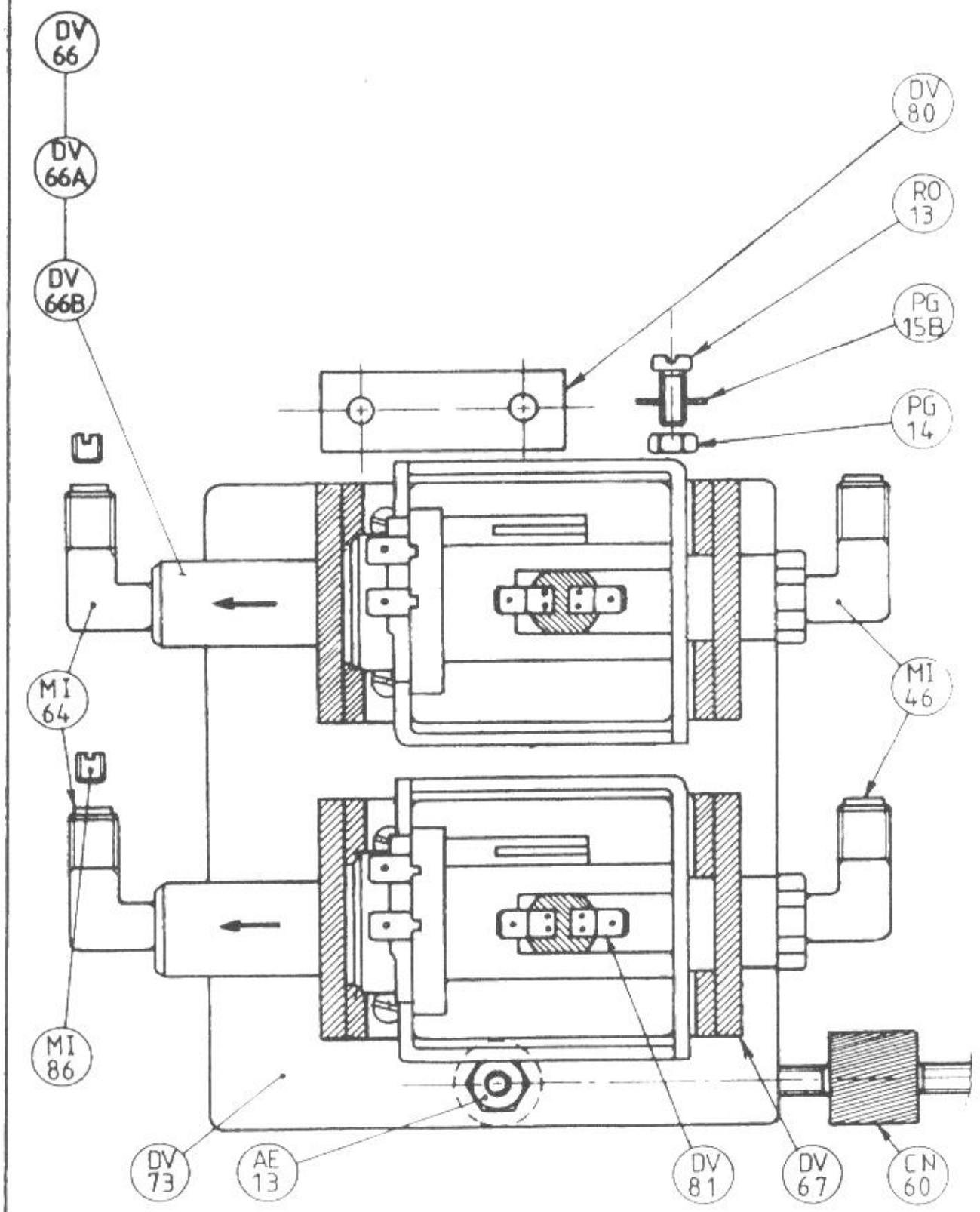


93-05 TUBES  
TUBES

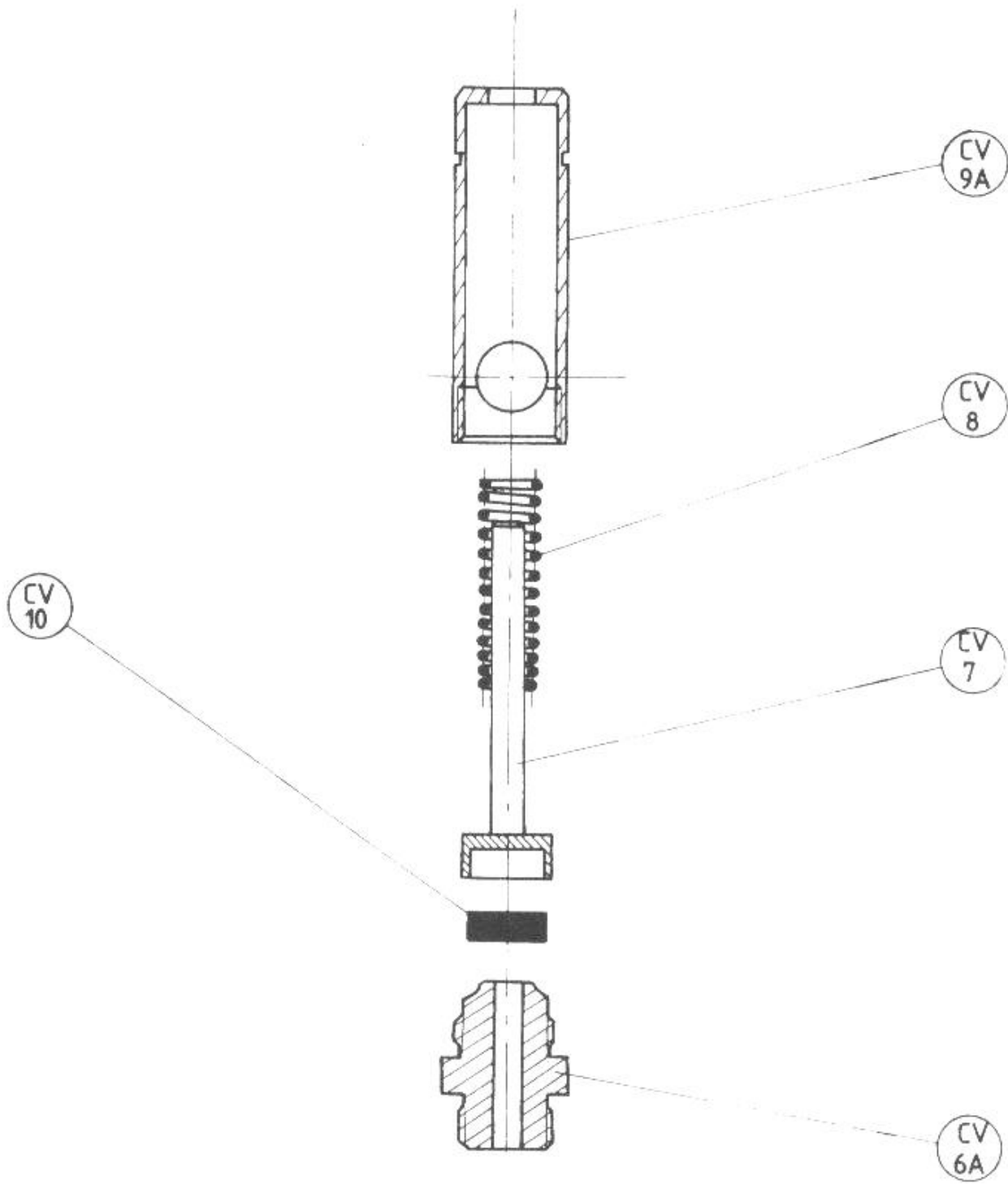


320

|        |                               |                               |
|--------|-------------------------------|-------------------------------|
| AE-13  | ECROU ACIER ZINGUE Hu 6-100   | NUT                           |
| CN-60  | PLOT ANTIVIBRATOIRE D25 H20   | MOUNTING BUFFER - PLATE       |
| DV-66  | POMPE VIBRANTE 110V 60HZ      | PUMP - OSCILLATING -110V.60HZ |
| DV-66A | POMPE VIBRANTE 220V 50HZ      | PUMP OSCILLATING 220V 50-60HZ |
| DV-66B | POMPE VIBRANTE 220V 60HZ      | PUMP OSCILLATING 220V 60HZ    |
| DV-67  | SUPPORT CAOUTCHOUC POMPE VIBR | MOUNTING BUFFER - PUMP        |
| DV-73  | TOLE SUPPORT POMPES VIBRANTES | MOUNTING PLATE - PUMP         |
| DV-80  | PLAQUETTE PINCEMENT SUP POMPE | MOUNTING BRACKET - PUMP       |
| DV-81  | SECURITE THERMIQUE            | THERMOSTAT - SAFETY - PUMP    |
| MI-46  | RACCORD                       | FITTING - 1/8 - L             |
| MI-64  | RACCORD COUDE LAITON MM 1/8   | FITTING - 1/8 - L - TAPPED    |
| MI-86  | GICLUR 0,7                    | GICLUR - 0.7 - GROUP          |
| PG-14  | ECROU ACIER NICKLE Hu DE 4    | NUT M4                        |
| PG-15B | RONDELLE INOX M4              | WASHER                        |
| RO-13  | VIS INOX TC 4 x 10            | SCREW M4 X 10 - S.S.          |



|       |                             |                             |
|-------|-----------------------------|-----------------------------|
| CV-6A | BASE SOUPAPE BASSE PRESSION | VALVE BASE                  |
| CV-7  | PISTON DE SOUPAPE BP        | VALVE PISTON - HIGH PRESS   |
| CV-8  | RESSORT SOUPAPE B P         | SPRING - H.P. RELIEF VALVE  |
| CV-9A | GUIDE DE SOUPAPE            | VALVE GUIDE                 |
| CV-10 | CLAPET DE SOUPAPE 14 X 4    | GASKET - H.P. RELIEF VALVE  |
| CV-11 | SOUPAPE BP COMPLETE         | VALVE - HIGH PRESS. - 3 BAR |



SOUPAPE BASSE PRESSION CV-11  
 LOW PRESSURE VALVE

93-05

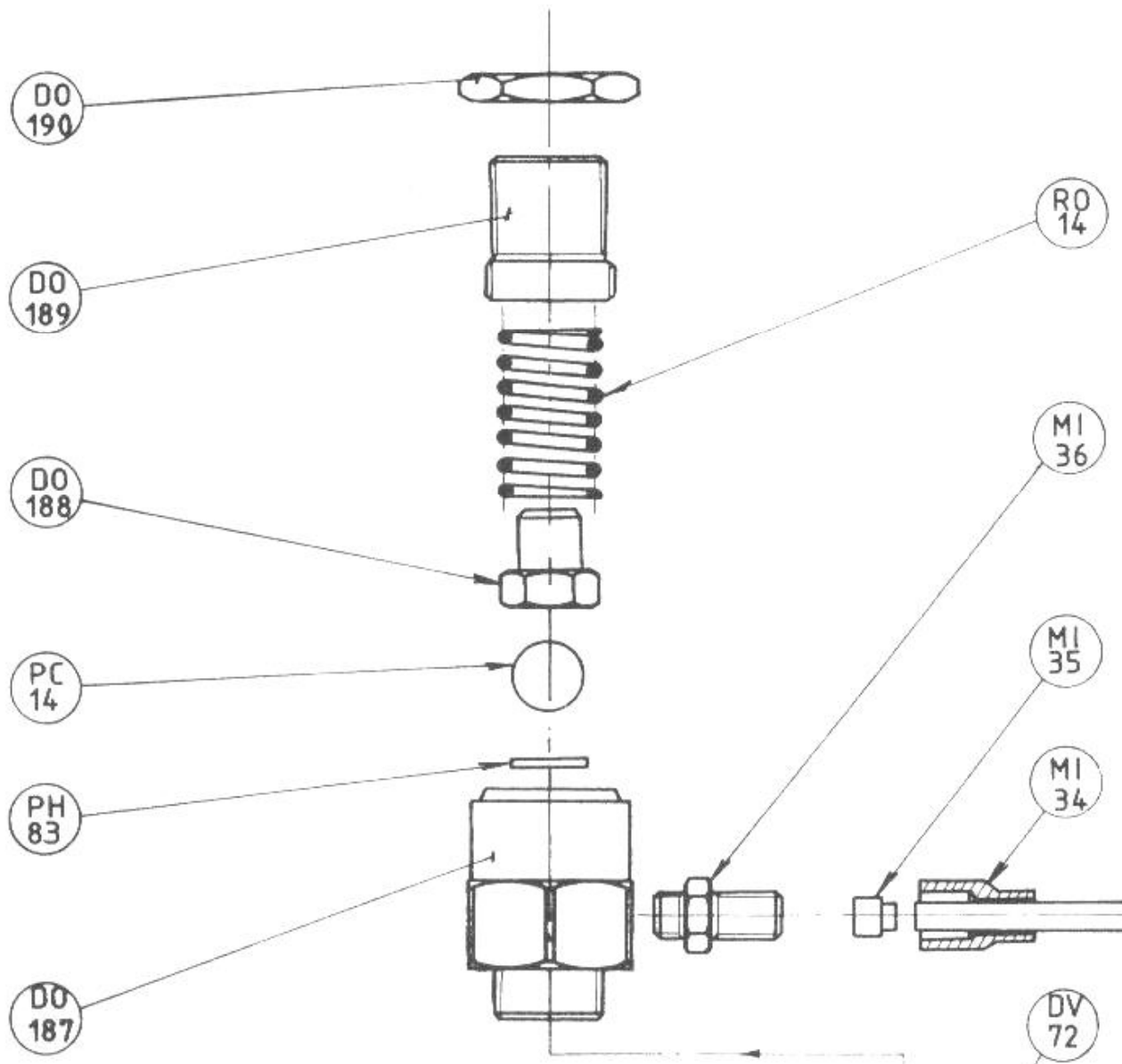
SOUPAPE BP  
 LP VALVE

**UNIC**

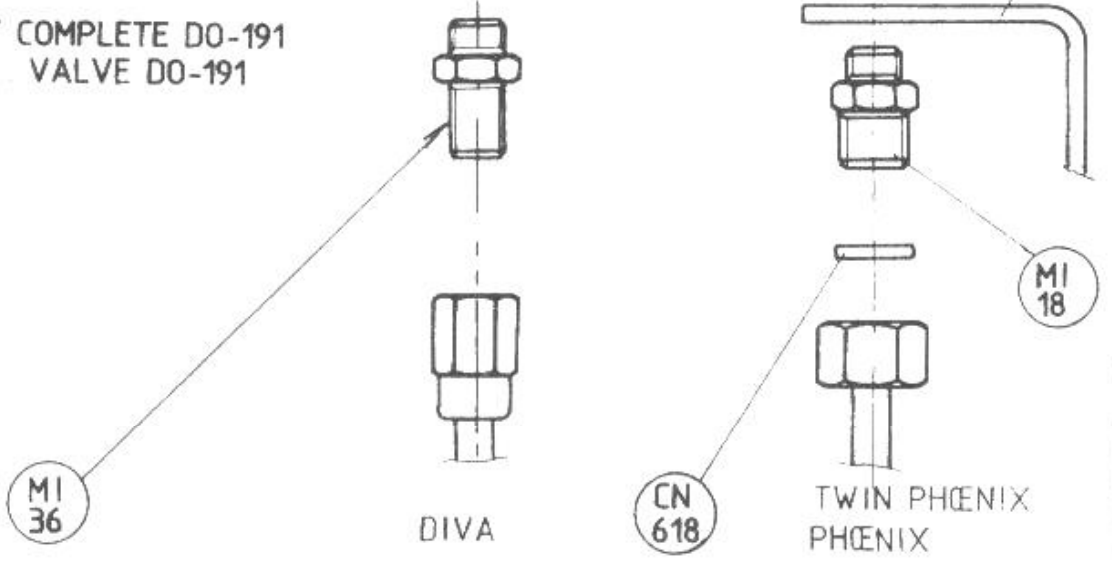
350



|        |                                |                             |
|--------|--------------------------------|-----------------------------|
| CN-618 | JOINT CUIVRE 11,4 x 6,2 x 1    | GASKET - 11.4 x 6.2 X 1     |
| DO-187 | CORPS DE SOUPAPE               | VALVE BODY                  |
| DO-188 | TIGE DE SOUPAPE                | VALVE PISTON                |
| DO-189 | ECROU DE SOUPAPE               | VALVE NUT                   |
| DO-190 | CONTRE ECROU                   | NUT                         |
| DO-191 | SOUPAPE H.P. COMPLETE N.M.     | COMPLET H.P. VALVE          |
| DV-72  | PATTE SUPPORT SOUPAPE H P      | MOUNTING BRACKET --EXP. VLV |
| MI-18  | RACCORD MM 1/4 - 1/8 G.        | FITTING - 1/8 x 1/4         |
| MI-34  | ECROU LAITON 1/8"              | COMPRESSION NUT - 1/8       |
| MI-35  | BAGUE LAITON                   | NIPPLE                      |
| MI-36  | RACCORD EN LAITON              | CONNECTION 1/8              |
| PC-14  | BILLE INOX POLIE DE 11         | STAINLESS STEEL BALL DIA 11 |
| PH-83  | JOINT TORIGU. TEFLON 9,19x2,62 | 9,19 X 2,62 TEFLON O-RING   |
| RO-14  | RESSORT F20/10 L26,5 D13 P5    | SPRING                      |



SOUPAPE COMPLETE DO-191  
 COMPLET VALVE DO-191



**A)**

CN-245  
CN-245D  
CN-245G  
CN-631  
CN-631B  
CN-631C

**ELECTROVANNE COMPLETE**

ELECTROVANNE 2V 220V 50HZ  
ELECTROV. 2V 220-60 /208-50  
ELECTROV.2V 110V60Hz/100V50Hz  
ELECTROVANNE 2V REGL.220V50HZ  
ELECTROVANNE 2V REGL 208V50HZ  
ELECTROVANNE 2V REGL 110V60HZ

**WHOLE ELECTROVALVE**

WHOLE ELECTROVALVE 220V-50HZ  
WHOLE ELECTROVALVE 220V-60HZ  
ELECTROVALVE 110V.60HZ  
WHOLE FLOW ADJ. EV 220V50HZ  
WHOLE FLOW ADJ. EV 208V50HZ  
WHOLE FLOW ADJ. EV 110V60HZ

**B)**

CN-245B  
CN-245C  
CN-253  
MI-78

**BOBINE D'ELECTROVANNE**

BOBINE ELECTROV. 2V 220V50HZ  
BOBINE ELECTROV.2V 220V 60HZ  
BOBINE ELECTROV. 2V 208V 50HZ  
BOBINE EV.110V 60HZ/100V 50HZ

**ELECTROVALVE COIL**

ELECTROVALVE COIL 220V-50HZ  
ELECTROVALVE COIL 220V-60HZ  
ELECTROVALVE COIL 208V. 50HZ  
SOLENOID COIL - 1 WAY 110V60H

CN-245A  
CN-245F  
CN-245H  
CN-245J  
CN-245K  
CN-245L  
CN-245M  
ED-24  
ED-25  
ED-26  
ED-30

CLAPET POUR ELECTROVANNE  
RONDELLE BLOCAGE BOBINE VANNE  
CORPS DEPHASEUR EV 2 VOIES  
RESSORT ELECTROVANNE 2 VOIES  
CORPS ELECTROV. 2 V. REGLABLE  
CORPS ELECTROVANNE NON REGL.  
ENSEMBLE VIS DE REGLAGE  
RONDELLE RESSORT POUR VANNE  
JOINT TORIQUE POUR E.V.  
ECROU DE SERRAGE POUR VANNE  
ECROU SERRAGE BOBINE

SOLENOID PISTON - 1 WAY\ADJ  
WASHER  
PLUNGER FOR CN-631 OR CN-245  
SOLENOID SPRING 1 WAY/ADJ  
ELECTROV. BODY ADJUSTABLE  
ELECTROV. BODY WITHOUT ADJUST  
SCREW KIT  
SPRING WASHER  
ELECTRO VALVE JOINT  
MAIDEN NUT  
SOLENOID NUT

CN-631W

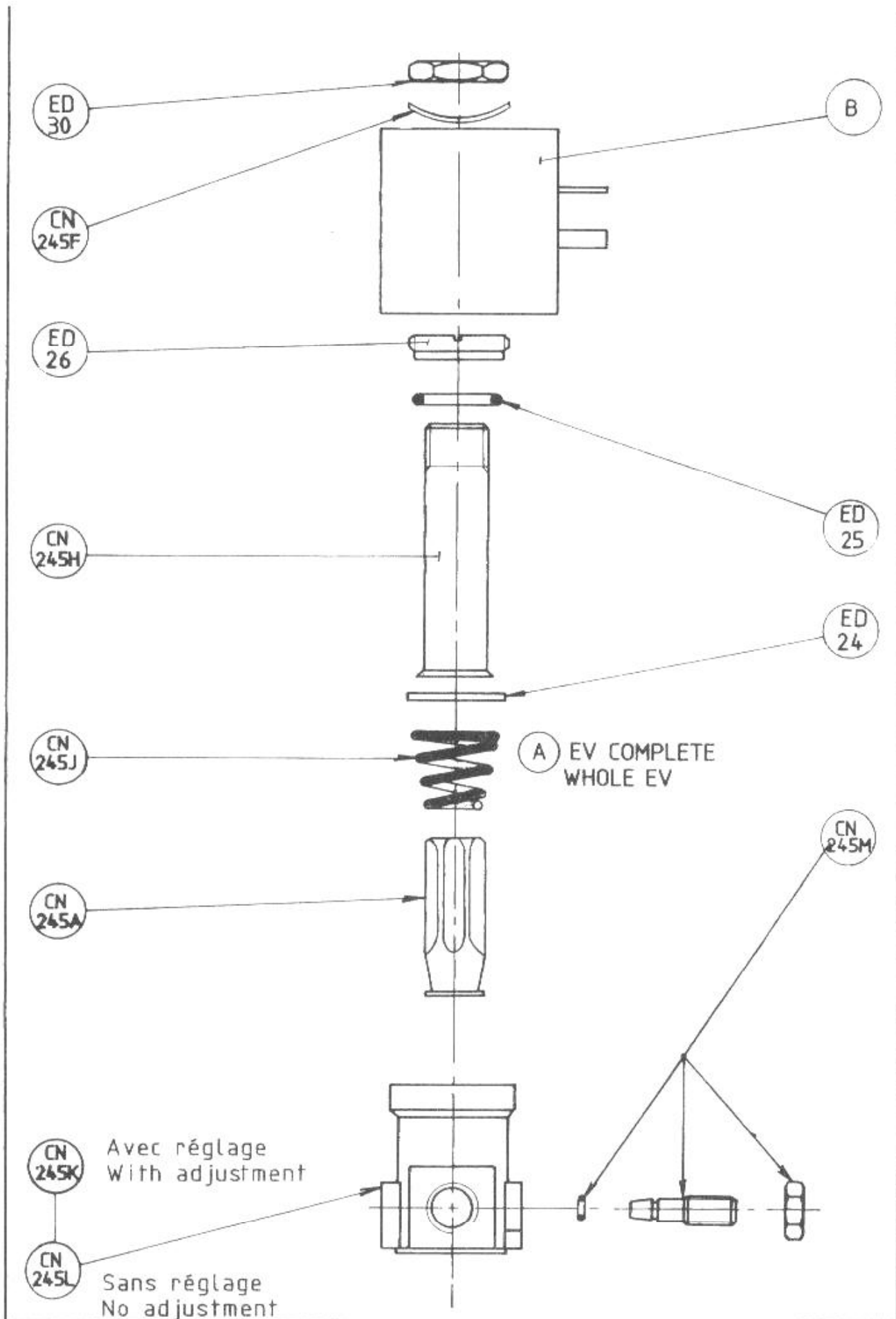
ELECTROVANNE COMPLETE SANS  
BOBINE

COMPLETE ELECTROVALVE WITHOUT  
SOLENOID COIL

CN-245W

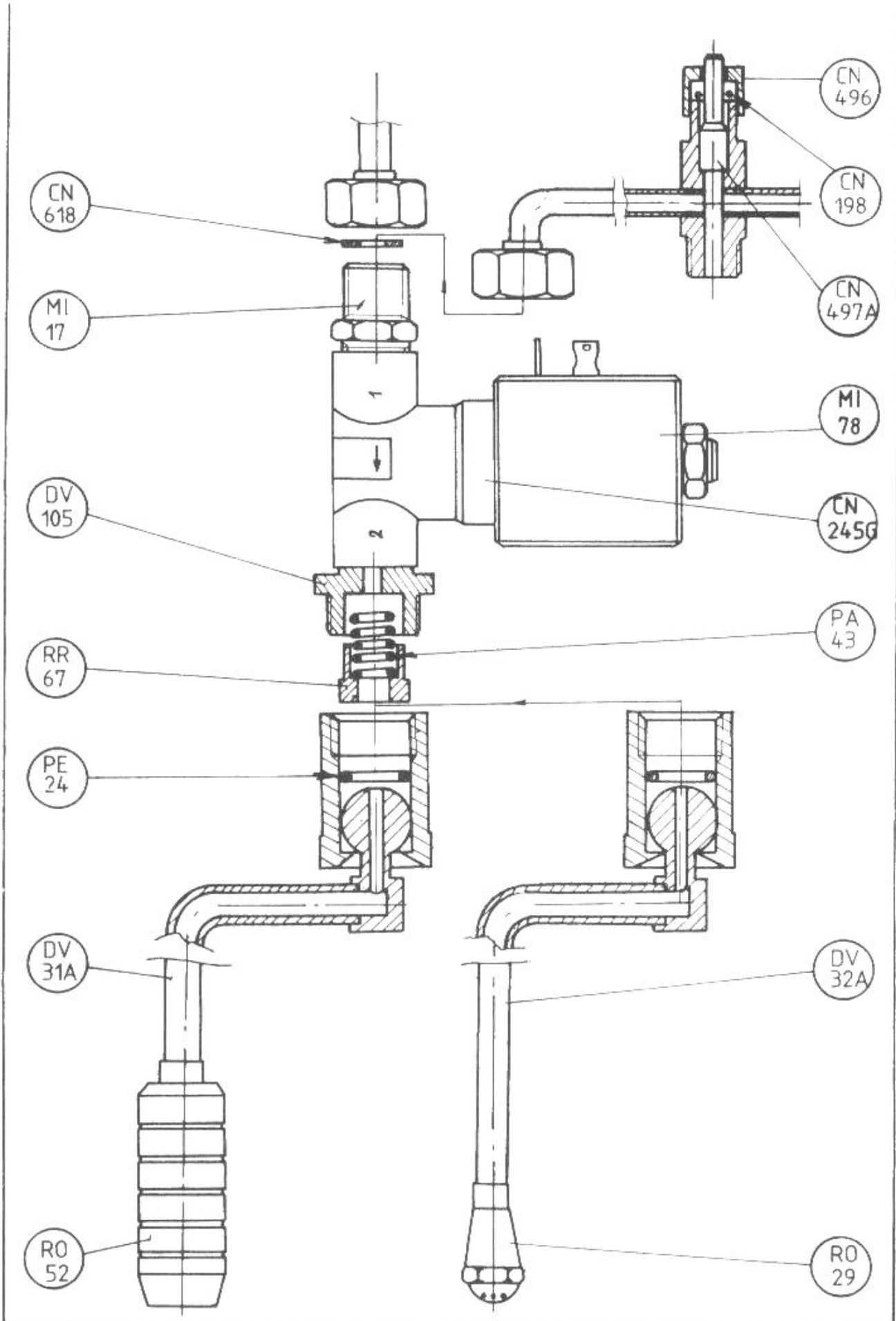
ELECTROVANNE COMPLETE SANS  
BOBINE

COMPLETE ELECTROVALVE WITHOUT  
SOLENOID COIL

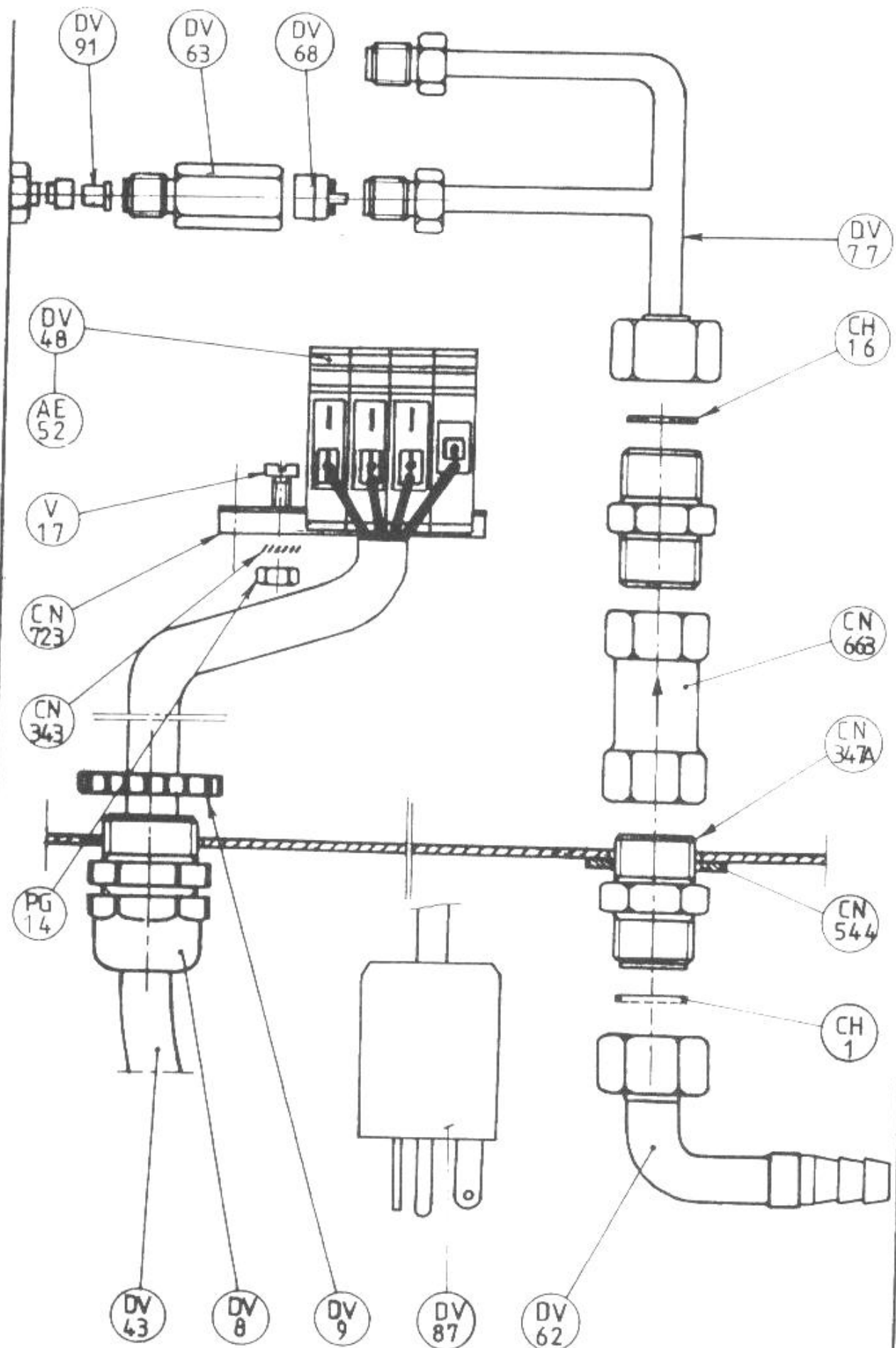


|       |              |    |             |     |
|-------|--------------|----|-------------|-----|
| 90    | ELECTROVANNE | 2W | <b>UNIC</b> | 370 |
| 10/07 | ELECTROVALVE |    |             |     |

|         |                               |                               |
|---------|-------------------------------|-------------------------------|
| CN-198  | JOINT TORIQ 6,07 x 1,78 VITON | GASKET - 6.07 x 1.78          |
| CN-245G | ELECTROV.2V 110V60Hz/100V50Hz | ELECTROVALVE 110V.60HZ        |
| CN-496  | BOUCHON DE VALVE              | VALVE CAP - LOW PRESS.        |
| CN-497A | TIGE INOX VALVE               | VALVE PISTON - LOW PRESS.     |
| CN-618  | JOINT CUIVRE 11,4 x 6,2 x 1   | GASKET - 11.4 x 6.2 X 1       |
| DV-31A  | TUBE CHROME SORTIE EAU CHAUDE | WATER WAND - COMPACT          |
| DV-32A  | TUBE CHROME SORTIE VAPEUR     | STEAM WAND - COMPACT          |
| DV-105  | RACCORD CHROME POUR ROTULE    | FITTING                       |
| MI-17   | RACCORD LAITON MM 1/4 - 1/4   | FITTING - 1/4                 |
| MI-78   | BOBINE EV.110V 60HZ/100V 50HZ | SOLENOID COIL - 1 WAY 110V60H |
| PA-43   | RESSORT F15/10 L14,5 D10,5 P3 | SPRING                        |
| PE-24   | JOINT TORIQUE VOIR PH-78      | O-RING                        |
| RO-29   | BRISE JET VAPEUR CHROME       | STEAM SPOUT                   |
| RO-52   | EMBOUT SORTIE EAU CHAUDE CHR. | WATER SPOUT - COMPACT         |
| RR-67   | EMBOUT LAITON                 | BRASS END                     |



|         |                               |                               |
|---------|-------------------------------|-------------------------------|
| AE-52   | BORNIER TERRE VERT-JAUNE      | TERMINAL BLOCK - GREEN/YELLOW |
| CH-1    | JOINT FILTRE DE 3/8           | WASHER - FILTER - 3/8         |
| CH-16   | JOINT CUIVRE RECUIT 3/8       | WASHER - COPPER - 3/8         |
| CN-343  | RONDELLE EVENTAIL DE 4        | WASHER                        |
| CN-347A | RACCORD D'ALIM. 3/8 - 3/8 MM  | FITTING - 3/8 X 3/8 - BVL     |
| CN-544  | RONDELLE ACIER ZN 17 x 28 x 2 | WASHER                        |
| CN-663  | CLAPET ANTI RETOUR COMPACT    | VALVE - NON-RETURN            |
| CN-723  | SUPPORT BORNIER L=55mm        | MOUNTING BRACKET -T- BLOCK    |
| DV-08   | PRESSE ETOUPE UL COUL= NOIRE  | STRAIN RELIEF                 |
| DV-09   | CONTRE ECROU LAITON NICKELE   | STRAIN RELIEF NUT             |
| DV-43   | CABLE ALIMENT. 3x2,5 L=2,50ML | ELECTRICAL FEEDING CABLE      |
| DV-48   | BORNIER ENTRELEC              | TERMINAL BLOCK - GREY         |
| DV-62   | RACCORD COUDE 3/8 CHROME      | PIPE - 3/8 ELBOW x HOSE       |
| DV-63   | RACCORD ALIM POMPES VIDR.     | GICLUER BODY - PUMP           |
| DV-68   | REGULATEUR DE DEBIT 0,8l/min. | GICLUER - 0.8 LPH - PUMP      |
| DV-77   | DOUBLE COUDE ALIM. POMPE      | PIPE - COLD WATER INTAKE      |
| DV-87   | FICHE ALIM UL CSA 20A 125V    | STRAIGHT BLADE PLUG 20A 125V  |
| DV-91   | INSERT DIAM= 4                | SLEEVE                        |
| PG-14   | ECROU ACIER NICKLE Hu DE 4    | NUT M4                        |
| V-17    | VIS INOX TC 4 x 8             | SCREW M4 X 8                  |



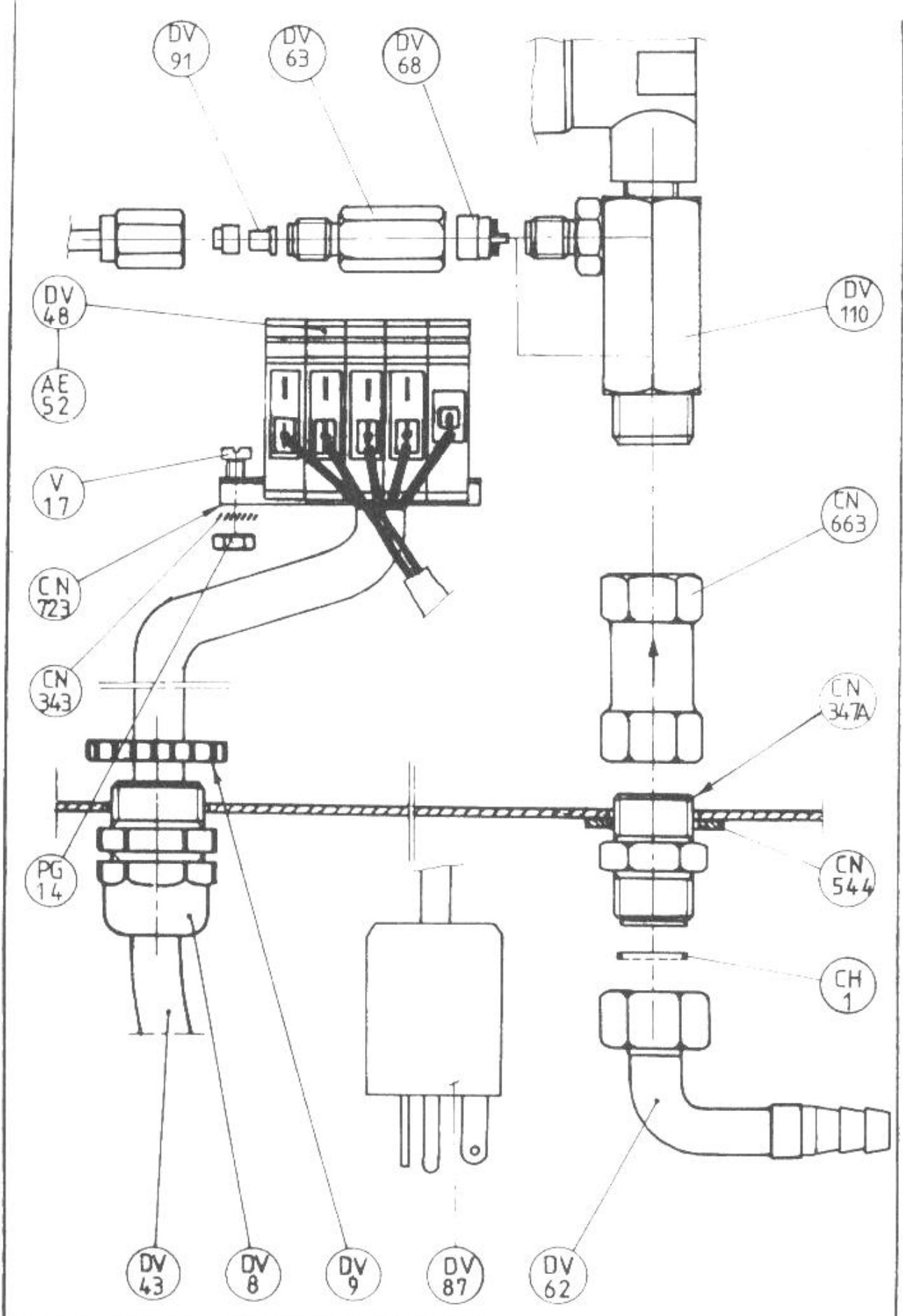
2-90

ALIMENTATION électrique, hydraulique.  
 Electrical, hydraulic FEEDING.

**UNIC** 400



|         |                               |                               |
|---------|-------------------------------|-------------------------------|
| AE-52   | BORNIER TERRE VERT-JAUNE      | TERMINAL BLOCK - GREEN/YELLOW |
| CH-1    | JOINT FILTRE DE 3/8           | WASHER - FILTER - 3/8         |
| CN-343  | RONDELLE EVENTAIL DE 4        | WASHER                        |
| CN-347A | RACCORD D'ALIM. 3/8 - 3/8 MM  | FITTING - 3/8 X 3/8 - BVL     |
| CN-544  | RONDELLE ACIER ZN 17 x 28 x 2 | WASHER                        |
| CN-663  | CLAPET ANTI RETOUR COMPACT    | VALVE - NON-RETURN            |
| CN-723  | SUPPORT BORNIER L=55mm        | MOUNTING BRACKET -T- BLOCK    |
| DV-08   | PRESSE ETOUPE UL COUL= NOIRE  | STRAIN RELIEF                 |
| DV-09   | CONTRE ECROU LAITON NICKELE   | STRAIN RELIEF NUT             |
| DV-43   | CABLE ALIMENT. 3X2,5 L=2,50ML | ELECTRICAL FEEDING CABLE      |
| DV-48   | BORNIER ENTRELEC              | TERMINAL BLOCK - GREY         |
| DV-62   | RACCORD COUDE 3/8 CHROME      | PIPE - 3/8 ELBOW x HOSE       |
| DV-63   | RACCORD ALIM POMPES VIBR.     | GICLUER BODY - PUMP           |
| DV-68   | REGULATEUR DE DEBIT 0,8l/min. | GICLUER - 0.8 LPH - PUMP      |
| DV-87   | FICHE ALIM UL CSA 20A 125V    | STRAIGHT BLADE PLUG 20A 125V  |
| DV-91   | INSERT DIAM= 4                | SLEEVE                        |
| DV-110  | RACCORD ALIM. POMPE & EV      | FITTING-1/8-1/8-3/8           |
| PG-14   | ECROU ACIER NICKLE Hu DE 4    | NUT M4                        |
| V-17    | VIS INOX TC 4 x 8             | SCREW M4 X 8                  |



PLANCHE

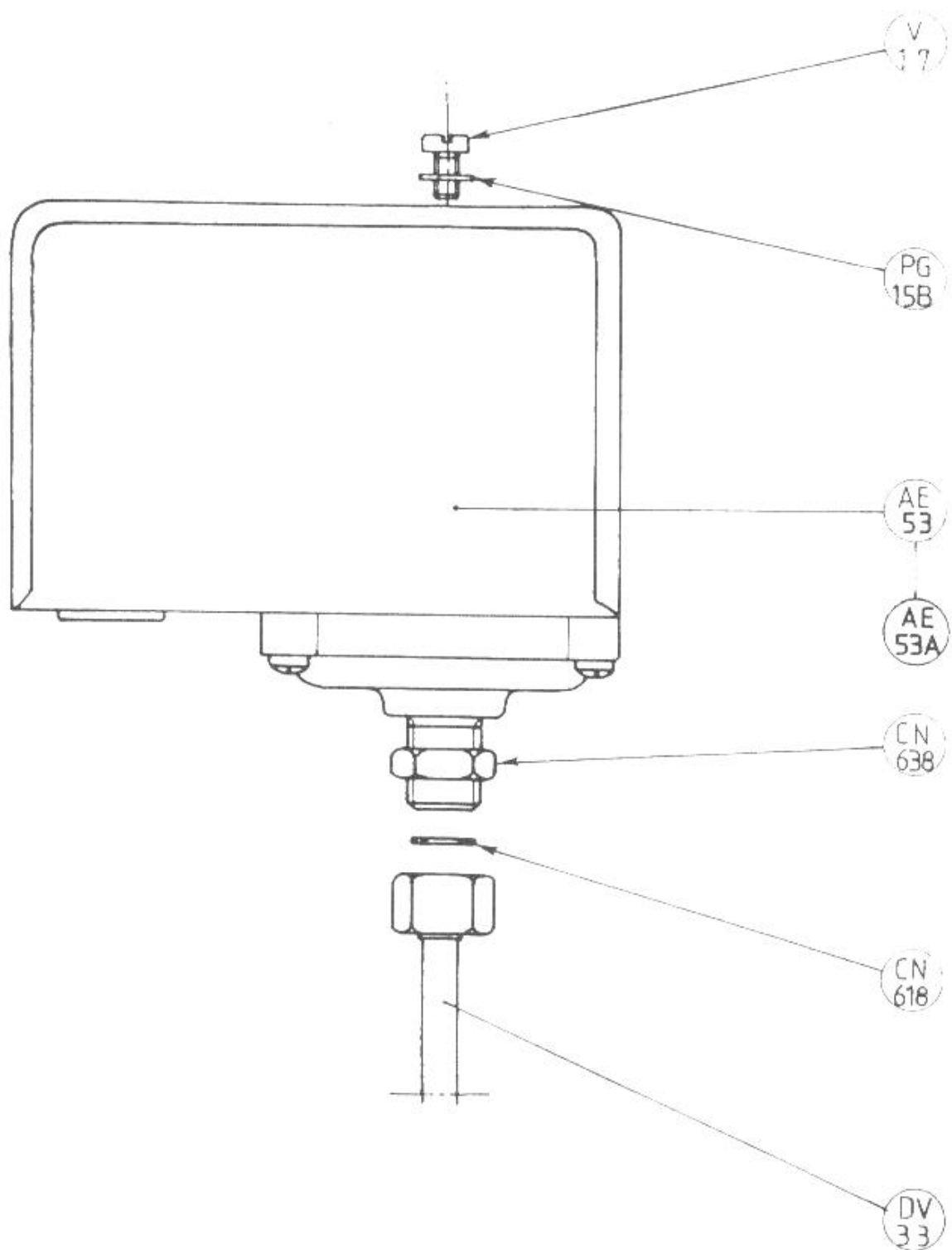
420

PLATE

AE-53  
AE-53A  
CN-618  
CN-638  
DV-33  
PG-15B  
V-17

PRESSOSTAT A CONTACT SEC  
PRESSOSTAT HOMOLOGUE UL  
JOINT CUIVRE 11.4 x 6.2 x 1  
ECROU DE RESISTANCE CT  
TUBE PRESSOSTAT DIVA  
RONDELLE INOX M4  
VIS INOX TC 4 x 8

PRESSOSTAT - SIRAI  
PRESSOSTAT UL - SIRAI  
GASKET - 11.4 x 6.2 x 1  
NUT 1/4  
PIPE - PRESSOSTAT  
WASHER  
SCREW M4 x 8



2-90

PRESSOSTAT  
 PRESSURESTAT

**WINK**

420

PLANCHE

430

PLATE

|       |            |                    |                 |              |
|-------|------------|--------------------|-----------------|--------------|
| DV-14 | RESISTANCE | 110V - 1500W       | HEATING ELEMENT | 1500W/110V   |
| CV-20 | JOINT TOR. | VITON 66.68 x 3.53 | GASKET -        | 66.68 x 3.53 |
| CV-42 | RESISTANCE | CARRE 220 V 2500 W | HEATING ELEMENT | 2500W 220    |
| CV-49 | PROTECTION | CACHE RESISTANCE   | INSULATOR       | BOOT         |

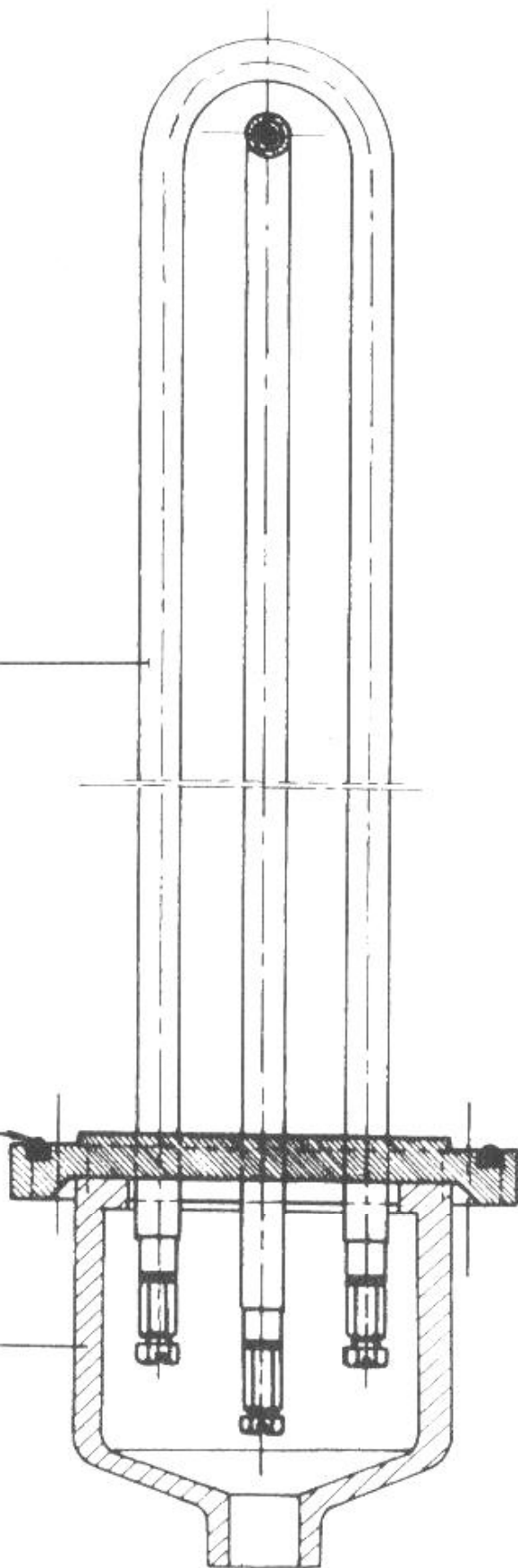
DV  
14

CV  
42

2500W

CV  
20

CV  
67



92-11

RESISTANCE  
RESISTANCE

**UNIC**

430

PLANCHE

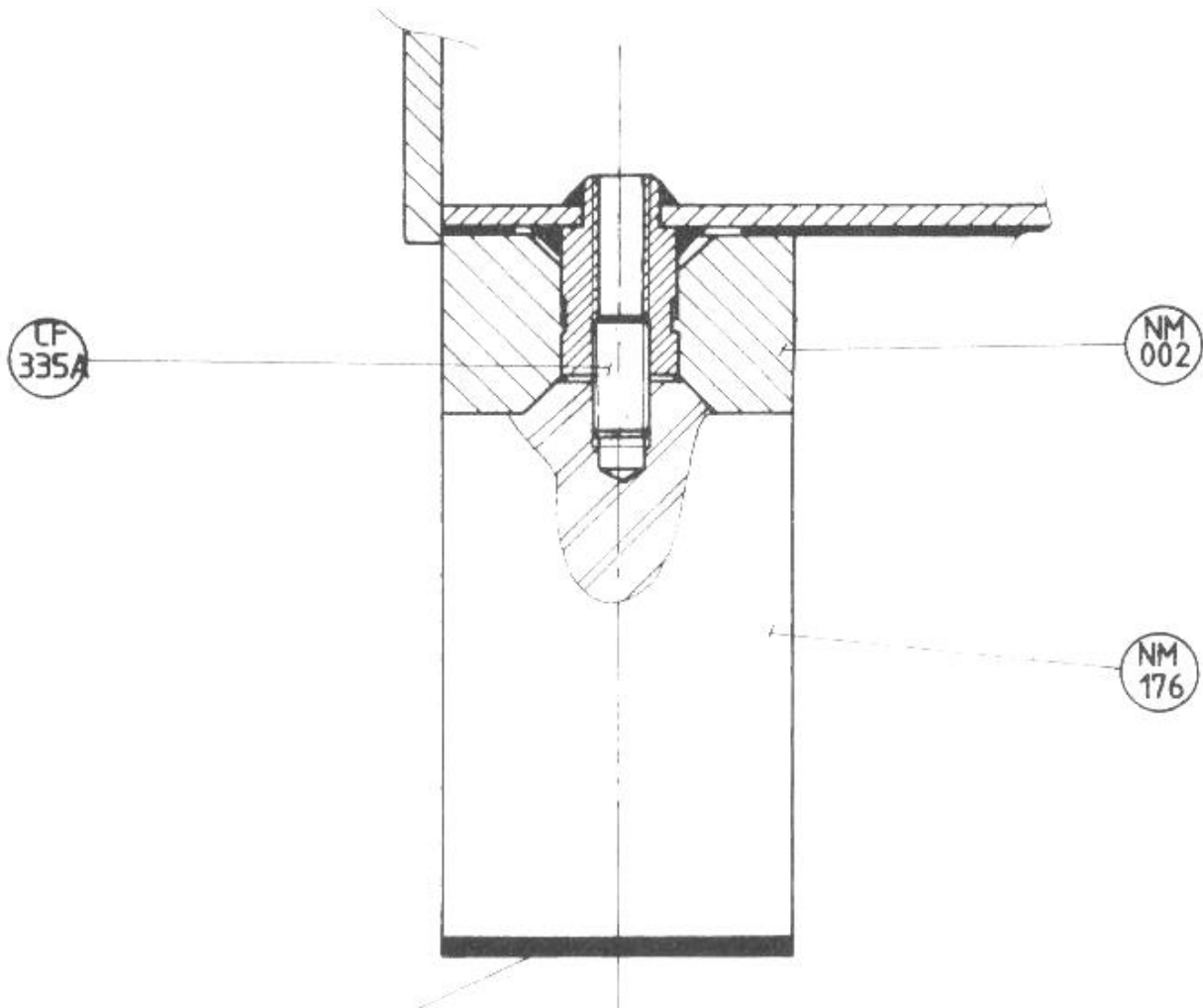
440

PLATE

CF-335A  
NM-002  
NM-003  
NM-176

FILET INOX 8 x 24  
PIED CAOUTCHOUC NOIR  
PATIN CAOUTCHOUC POUR PIED  
PIED ALU POUR MACHINE NSF

SCREW M8x24 STAINLESS STEEL  
FOOT  
BASE  
FOOT FOR NSF MACHINE



93-05 PIEDS NSF  
NSF FEET

**UNIC**

440

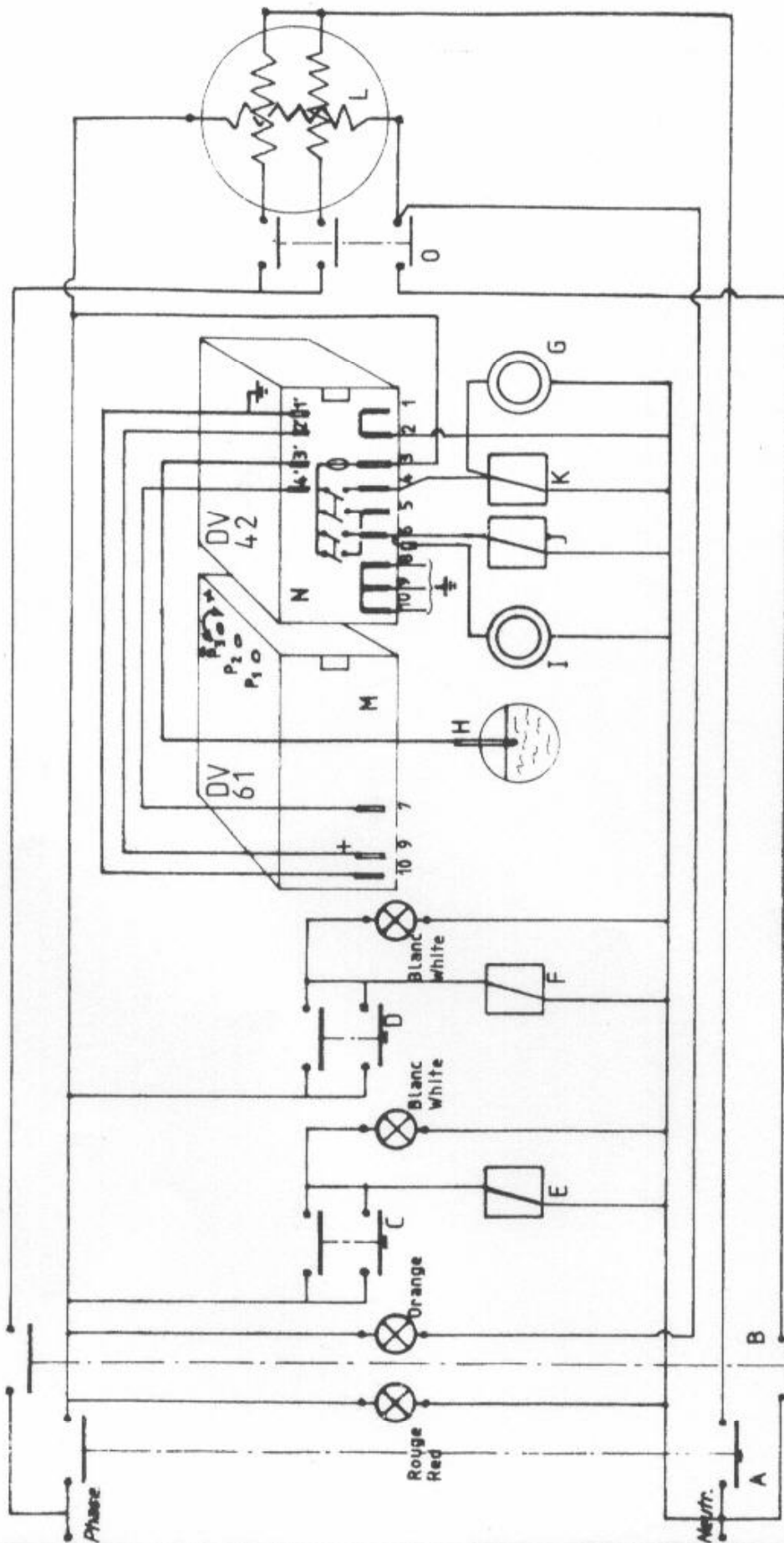


PA  
2-90

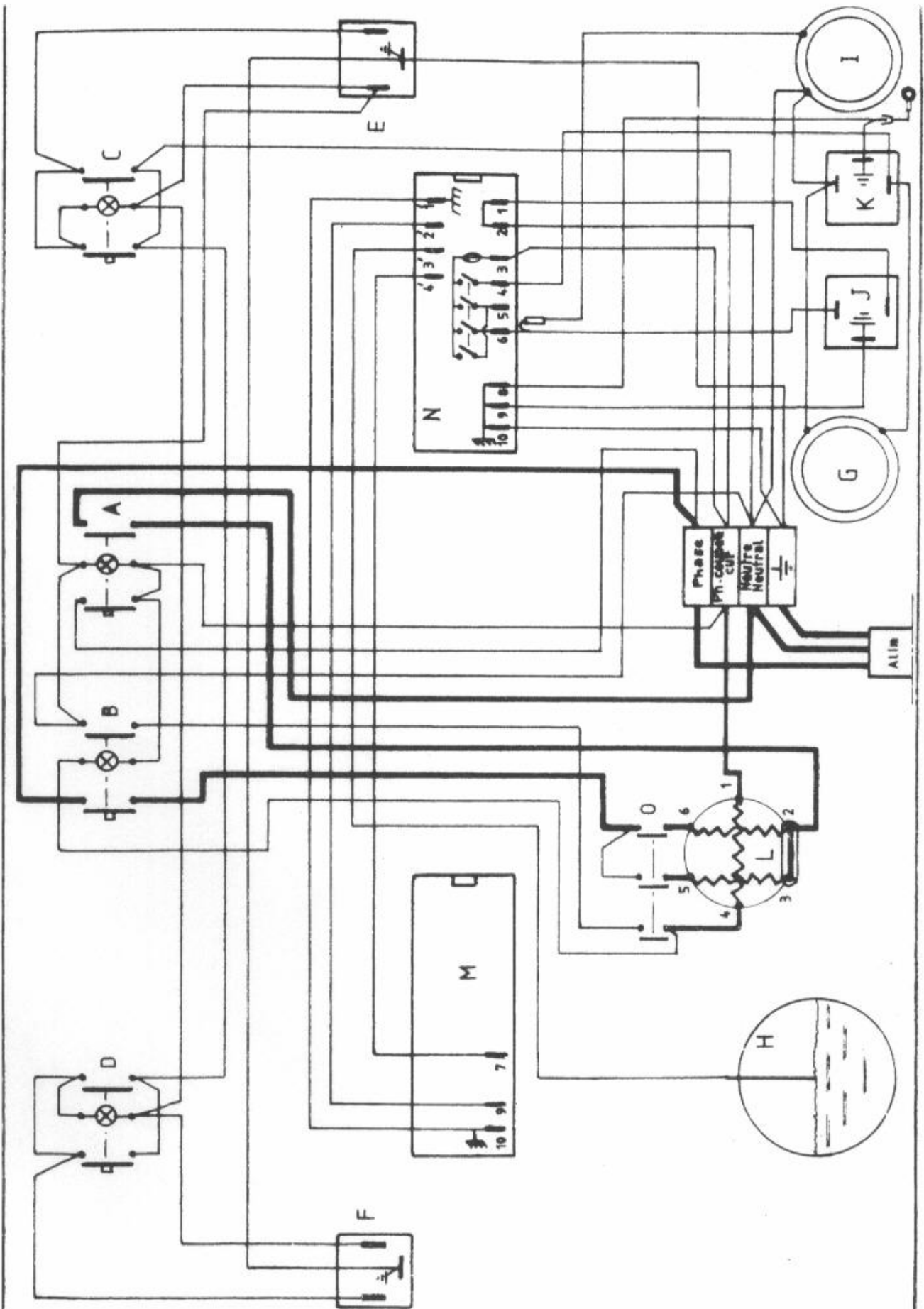
SCHEMA DE PRINCIPE  
SKELETON DIAGRAM

**ERIC**

490



- A: bouton-poussoir marche-arrêt / on-off switch.
- B: bouton-poussoir chauffage / heating switch.
- C: bouton-poussoir vapeur / steam switch.
- D: bouton-poussoir eau chaude / hot water switch.
- E: électrovanne vapeur / steam electrovalve.
- F: électrovanne eau chaude / hot water electrovalve.
- G: Moteur pompe de remplissage / Filling pump motor.
- H: sonde de niveau / water gauge probe.
- I: moteur-pompe café/coffee pump motor.
- J: électrovanne café / coffee electrovalve.
- K: électrovanne remplissage / filling electrovalve.
- L: résistances de chauffage / heating elements.
- M: boîte de dosage / dosing box.
- N: boîte de niveau / water gauge box.
- O: pressostat / pressurestat.

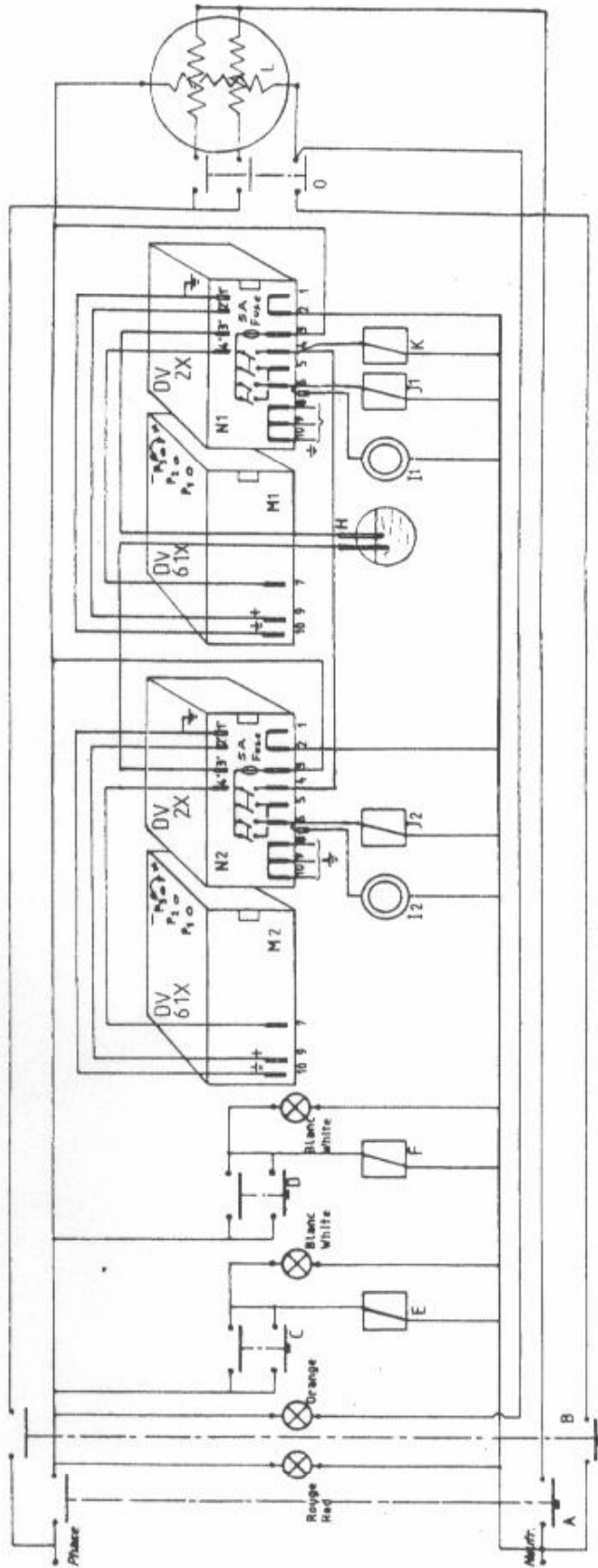


PA  
2-90

SCHEMA DE CABLAGE  
WIRING DIAGRAM.

**UNIC**

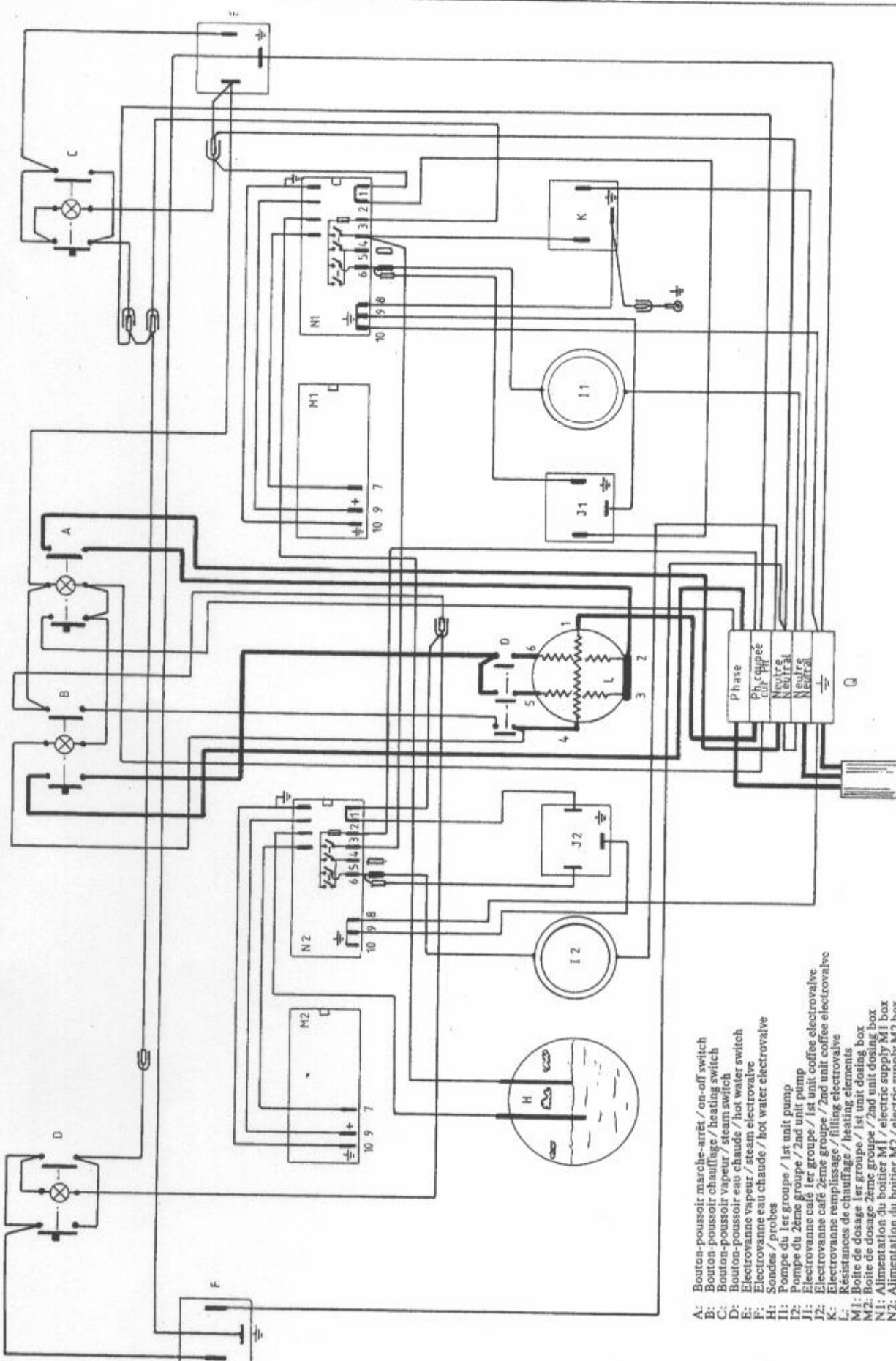
500



- A: Bouton-poussoir marche-arrêt / on-off switch
- B: Bouton-poussoir chauffage / heating switch
- C: Bouton-poussoir vapeur / steam switch
- D: Bouton-poussoir eau chaude / hot water switch
- E: Electrovanne vapeur / steam electrovalve
- F: Electrovanne eau chaude / hot water electrovalve
- G: Sondes / probes
- H: Pompe du 1er groupe / 1st unit pump
- I: Pompe du 2ème groupe / 2nd unit pump

- J1: Electrovanne café 1er groupe / 1st unit coffee electrovalve
- J2: Electrovanne café 2ème groupe / 2nd unit coffee electrovalve
- K: Electrovanne remplissage / filling electrovalve
- L: Résistances de chauffage / heating elements
- M1: Boîte de dosage 1er groupe / 1st unit dosing box
- M2: Boîte de dosage 2ème groupe / 2nd unit dosing box
- N1: Alimentation du boîtier M1 / electric supply M1 box
- N2: Alimentation du boîtier M2 / electric supply M2 box
- O: Pressostat / pressurestat
- Q: Bornier / plug

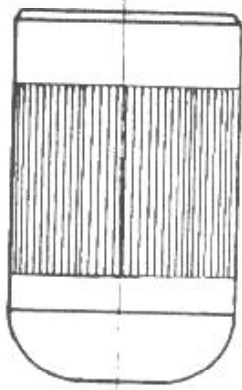
PA 4-93  
 Schema de principe "Twin Phoenix"  
 Skeleton diagram



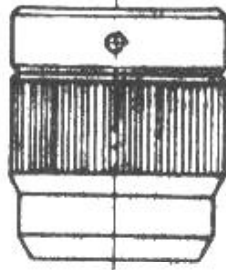
- A: Bouton-poussoir marche-arrêt / on-off switch
- B: Bouton-poussoir chauffage / heating switch
- C: Bouton-poussoir vapeur / steam switch
- D: Bouton-poussoir eau chaude / hot water switch
- E: Electrovanne vapeur / steam electrovalve
- F: Electrovanne eau chaude / hot water electrovalve
- H: Sondes / probes
- I1: Pompe du 1er groupe / 1st unit pump
- I2: Pompe du 2ème groupe / 2nd unit pump
- J1: Electrovanne café 1er groupe / 1st unit coffee electrovalve
- J2: Electrovanne café 2ème groupe / 2nd unit coffee electrovalve
- K: Electrovanne remplissage / filling electrovalve
- L: Résistances de chauffage / heating elements
- M1: Boîte de dosage 1er groupe / 1st unit dosing box
- M2: Boîte de dosage 2ème groupe / 2nd unit dosing box
- MI: Alimentation du boîtier M1 / electric supply M1 box
- M2: Alimentation du boîtier M2 / electric supply M2 box
- O: Pressostat / pressurostat
- Q: Bornier / plug

PA Schema de cablage Twin Phoenix  
4-93 Wiring diagram

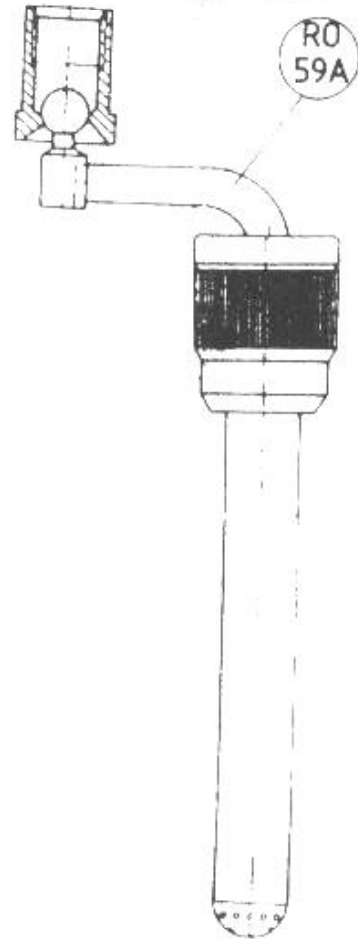
# PIÈCES DÉTACHÉES / SPARE PARTS



Ref: R0-68



Ref: R0-55



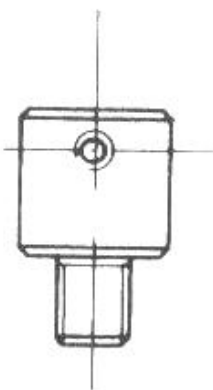
R0-59A

CACHE  
COVER

Barillet



Ref: R0-54



Ref: R0-57

Sortie téflon complète  
Whole teflon pipe  
R0-62A

Pipe

Mélangeur  
Mixer

Sortie téflon  
Teflon pipe



Ref: PC-38



Ref: R0-58



Ref: CN-436

Vis pointeau M5  
Locking screw M5

Butée à bille  
Thrust ball bearing

Joint  
O-ring

92  
26-06

SORTIE TÉFLON  
TEFLON STEAM SPOUT



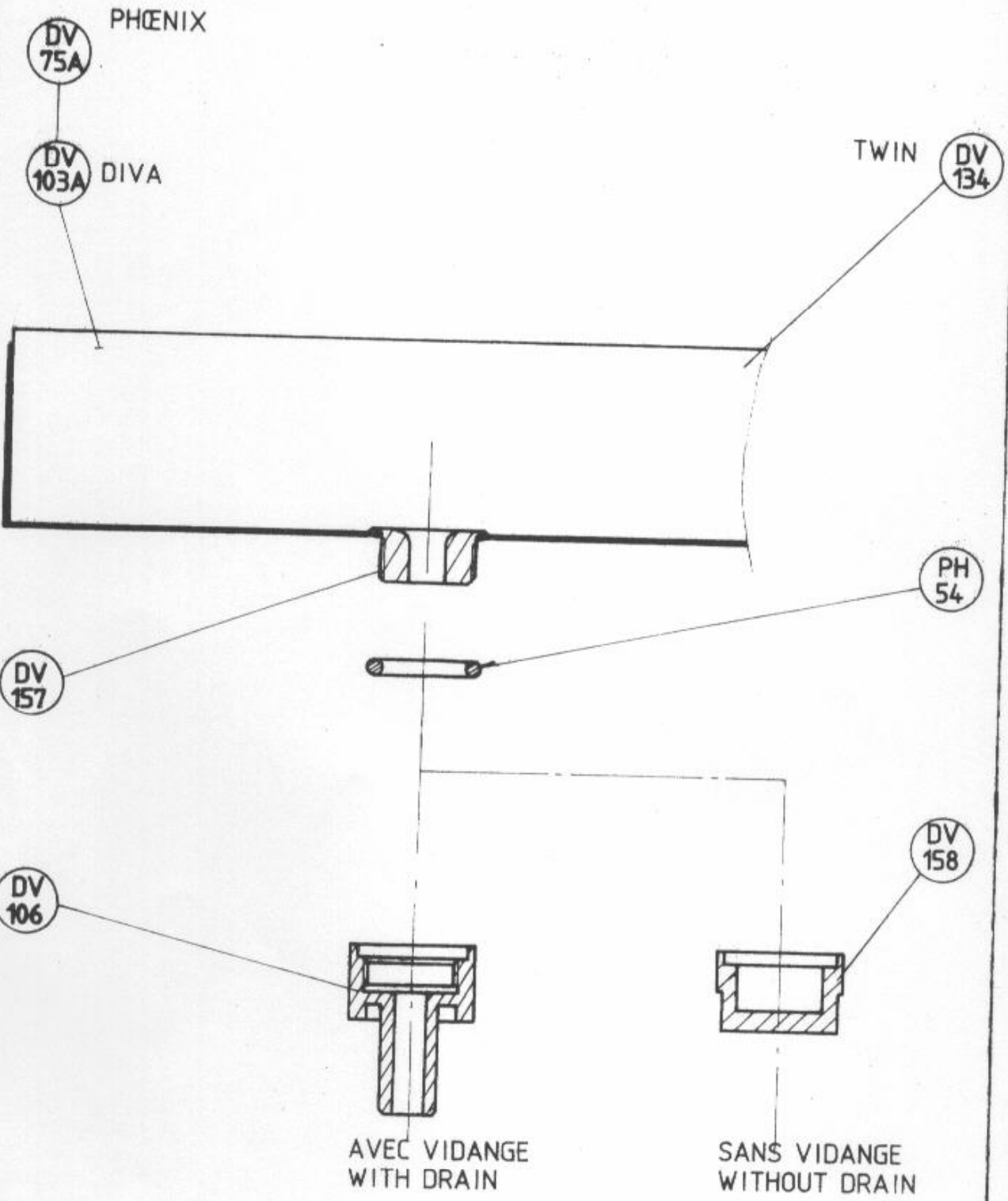
530

PLANCHE

560

PLATE

|         |                               |                       |
|---------|-------------------------------|-----------------------|
| DV-75A  | BASSINE PERCEE                | DRIP TRAY WITH HOLE   |
| DV-103A | BASSINE PERCEE                | DRIP TRAY WITH HOLE   |
| DV-106  | RACCORD ENTREE EAU SP. CHROME | 3/8 BRASS FITTING     |
| DV-134  | BASSINE TWIN                  | OVERFLOW TRAY         |
| DV-157  | RACCORD DE VIDANGE DE BASSINE | DRAIN CONNECTION      |
| DV-158  | BOUCHON 3/8 POUR VIDANGE      | CAP                   |
| PH-54   | JOINT TORIQUE 13,95x2,62      | GASKET - 13.95 x 2.62 |



93-09

VIDANGE  
DRAIN



560