

Saeco SUP021YBDR
INTERNATIONAL GROUP



Cod.740825-26-10000112-2292

POS	CODE	DESCRIPTION	NOTE
01	142816500	WATER CONTAINER LID SMART NAT./GREY	
02	146580950	BLACK KNOB WATER CONTAINER LID SMART	
03	224640200	EXTERNAL FILTER FOR WATER CONTAINER ASSY	WITH PART.N°06
04	149214359	BLACK CAP FOR FLOATING SPACE LAV.	
05	9161.112.150	LEVEL FLOAT GREY	
06	140328461	EPDM OR METRIC 0019-10	
07	140324362	OR METRIC 0060-30 IN SILICONE	
08	126764718	SPRING FOR WATER CONTAINER VALVE	
09	147660562	GREY PISTON FOR WATER VALVE	
10	226476300	KIT WATER CONTAINER SMART NATURAL/GREY	
11	12000381	SCREW TSP P22/TT M3X8 UNI 8109 ZINC	
12	149194650	SUPPORT WATER CONT. W/O LAMP HOUSING	
13	149194618	SUPPORT WATER CONT. W/O LAMP HOUSING	
13	283551900	2 POLE LEVEL SENSOR AS.SMART	230V
13	283551955	2 POLE LEVEL SENSOR AS.SMART	120V -220V
14	129532521	SCREW TSP2,9X9,5 DIN 7982 SS	
15	129913902	SCREW TCB TORX 10 3X12 PLAST.ZN-B	
16	175898600	UPPER TECHMATE INSERT FOR BOX SMART1	
17	175897300	LOWER TECHMATE INSERT FOR BOX SMART	
18	147623150	SQUARE ADHESIVE FOOT 5023 BLACK	
19	225920225	HANGRIP SX SMART SILVER A2	
19	225920208	HANGRIP SX SMART CHROMED	
20	129912902	SCREW TCB TORX 10 2,9X6,5 SHEET ZN-B	
21	178517600	DISPLAY BOX SAECO INCANTO S-CLASS	
22	148601650	GROMMET FOR POWER CABLE SMART	
23	229170450	SEALING SUPPORT AS.WATER DRIP TRAY	
24	142816700	BEAN COFF.CONT.LID SMART NATUR/GREY	
25	21000961	ACC SAE BRITA WATER FILTER 1 UNIT EUR	
25	21001120	ACC SAE BRITA WATER FILTER 1 UNIT AMERIC.	U.S.A.
25	21001123	ACC SAE BRITA WATER FILTER 1 UNIT ASIA	
26	227721800	GRIND.ADJUST.NATGREY KNOB SMART S/S	
27	U142.005	PANEL VIT TSP 4,5X16 DIN 7505 A GAL	
28	179990300	BAND FOR LIFTING L=1550 H=300 MM	
29	0701.031.150	SEAL COVER GREY	
30	145842900	WATER CONTAIN.VALVE SEAL GACO DIM14	
31	0701.014.150	SEAL CONTAINER GREY	
32	NE03.038	BIPOLAR SWITCH FUSIT C1250AR	
33	U207.003	PLAIN WASHER 3,2X7 UNI 6592 GAL	
34	128310321	WASHER UNI 8842 A3 SS	
35	145854760	BEAN COFFEE CONTAINER SEAL SMART	
36	149202550	SWITCH GENERAL SUPPORT BLACK SMART	

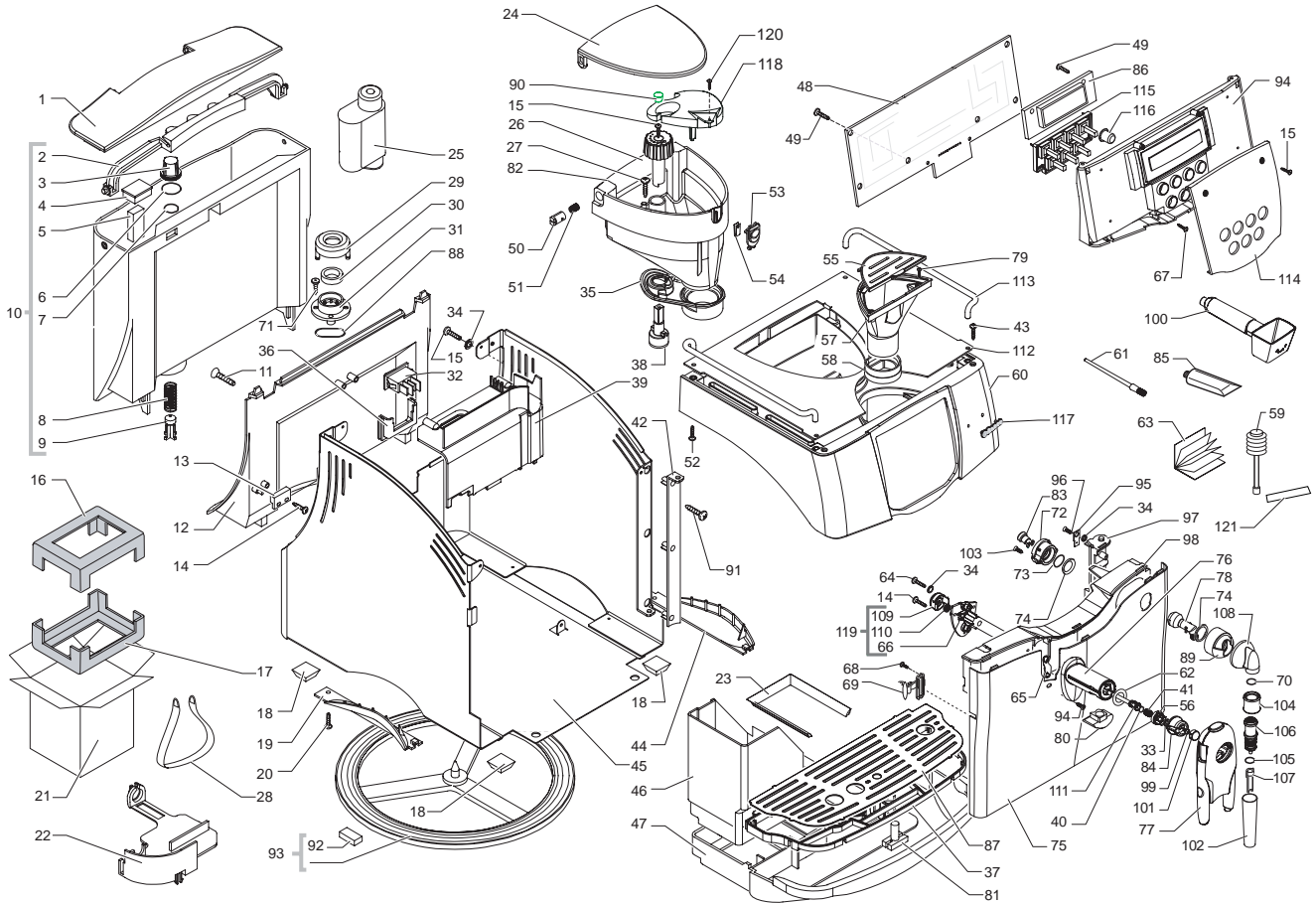
POS	CODE	DESCRIPTION	NOTE
37	229183726	SILVER A13 SUPPORT GRATE METAL SMART	
37	229183750	BLACK SUPPORT GRATE METAL SMART	
38	145897300	INSERT GRINDING ADJUST.M.KNOB SMART	
39	147755800	INT.CASING PROTECTION POWER CABLE	
40	140326661	OR METRIC 0040-20 IN EPDM	
41	126772518	SPRING FOR CREAM ADJUSTMENT SHAFT	
42	226481426	DOOR HINGE KIT SMART SILVER A13	
42	222630526	DOOR HINGE KIT SMART BLACK	UP TO S/N 9005SA40022836
42	222630550	DOOR HINGE KIT SMART BLACK	UP TO S/N 9005SA40022836
42	222630550	DOOR HINGE KIT SMART BLACK	FROM S/N 9005SA40022837
42	222630550	DOOR HINGE KIT SMART BLACK	FROM S/N 9005SA40022837
43	U143.018	SCREW TORX TCB 3,5X16 F TIP BL	
44	225920125	HANGRIP DX SMART SILVER A2	
44	225920108	HANGRIP DX SMART CHROMED	
45	11001021	MATT SILVER CASING SMART	
45	222360450	CASING WITH KNOB SMART BLACK	
46	11005555	BLACK DUMP BOX SMART SILK/SCREEN	
47	229630826	SILVER A13 DRIP TRAY SMART	
47	229630850	BLACK DRIP TRAY SMART	
48	281565158	ELECT.BOARD CPU SMART SUP021YBDR ASSY.	WITH PART.N°115
49	129913202	SCREW TCB TORX 10 3X8 PLAST.ZN-B	
50	147472750	PIN FOR DEADLOCK SPRING SMART1 DIG.	
51	126838818	SPRING FOR BEAN COFFEE CONTAINER	
52	U046.003	SCREW TCB M4,0X12 INDENT. WASH.8	
53	149252850	OPENING BUTTON BEAN CONTAINER COFFEE	
54	126838918	SPRING FOR BUTTON BEAN CONTAINER COF.	
55	222802400	GROUND COF.CONT.LID CLASSIC NATGREY	
56	149198700	SUPPORT CREAM ADJUSTMENT SHAFT	
57	149261500	HOPPER GROUND COFFEE DOSER SMART	
58	145854360	GROUND COFFEE CONT.SEAL UPPER SMART1	
59	147700200	POMPA DI CARICAMENTO DIAM. EST.17 MM	U.S.A.
60	222813826	SILVER 13 COVER SMART SILK/SCREEN DLX	
60	222813850	BLACK COVER SMART SILK/SCREEN DELUXE	
60	11001861	SILVER 13 COVER SMART/UL S/SCREEN DLX	KOREA COMPLETE
60	222847926	SILVER 13 COVER SMART/UL S/SCREEN DLX	COMPLETE
60	222847950	BLACK COVER SMART SILK/SCREEN DELUXE	COMPLETE
60	11001860	SILVER 13 COVER SMART/UL S/SCREEN DLX	KOREA COMPLETE
60	11007666	AS.COP.SMART/INT UL CI/PA13/120V SER.DLX	U.S.A. COMPLETE

Saeco
INTERNATIONAL GROUP

INCANTO DLX

Rev.08 - 01/12/09

TABLE 1a/4



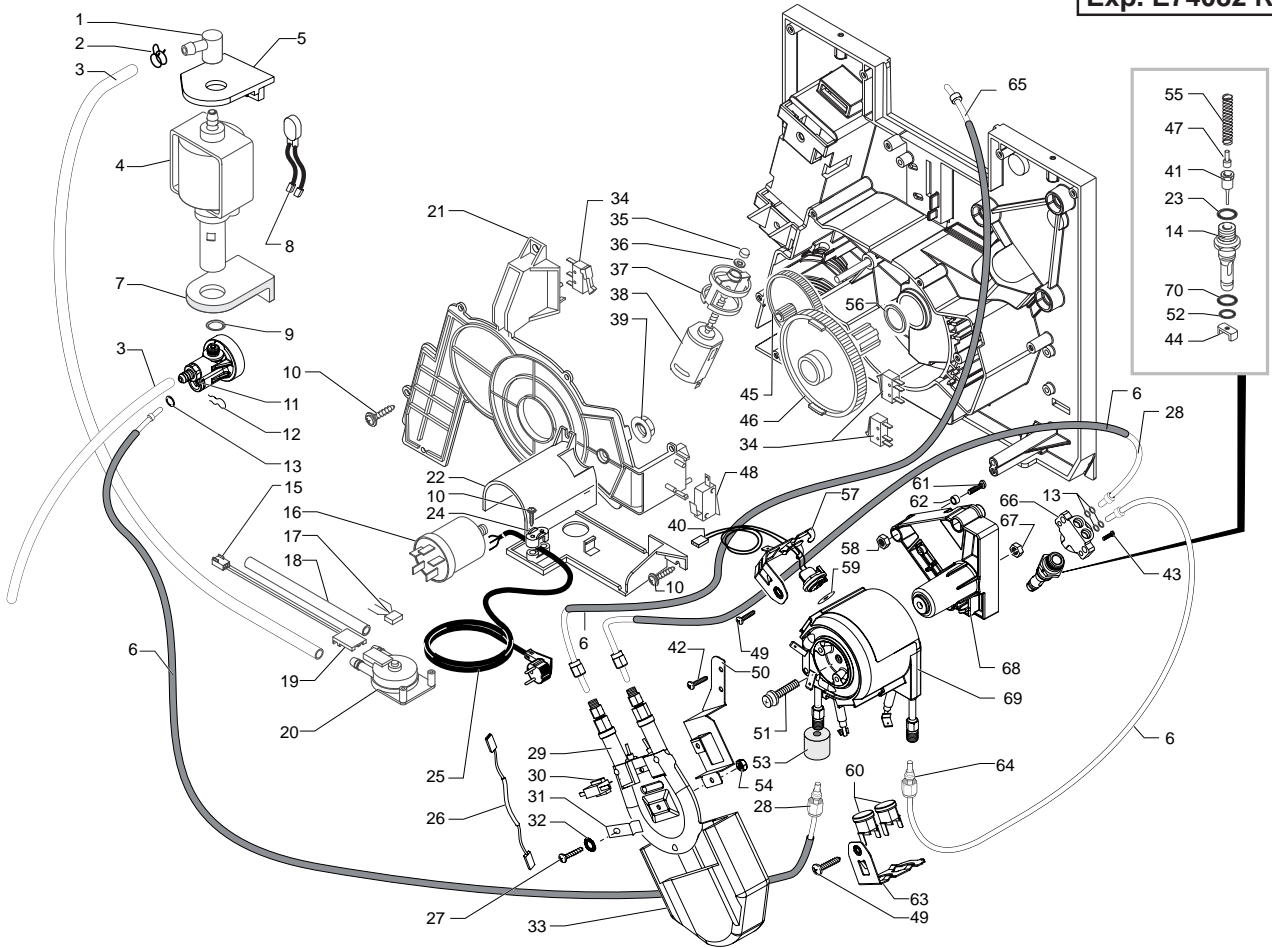
Saeco SUP021YBDR
INTERNATIONAL GROUP



Cod.740825-26-10000112-2292

POS	CODE	DESCRIPTION	NOTE
61	127390100	BRUSH FOR CLEANING	
62	148380800	MYLAR WASHER DE=19 DI=12 SP=0,2	
63	165897300	INSTRU.MANUAL SAECO TYPE SUP021YBDR	
	165897327	INSTRU.MANUAL SAECO TYPE SUP021YBDR	
64	129571121	SCREW TCB PH/SW 3X14 UNI 8112 INOX	
65	127535820	PLATE FOR DOOR METALLIC SMART	
66	11002322	COFF. DISPENSER TUBE FOR ADJUST.SHAFT FROM S/N 9006SA40349625	
67	129660902	SCREW PANELVIT TCB 3,5X12 D.7505 ZNP	
68	129670302	PANE.TCB SCREW 2,9X9,5 TES.D=7,5 ZN	
69	146313740	DISENGA. LEVER GREY/SILVER DOOR SMART	
70	140324461	OR METRIC 0060-20 IN TERMOIL	
71	129535721	SCREW TSP3,5X9,5 DIN 7982 SS	
72	149200450	SUPPORT FOR ARTICULATED JOINT	
73	140329162	OR 117 IN SILICONE 70 SH	
74	148620900	SEMISPHERE SEAL FOR ARTICULAT.JOINT	
75	11001009	GLOSS/SILVER DOOR METALLIC SMART	
	228982950	DOOR METALL SMART BLACK	
76	229184704	COFFEE DISPENSER SUPPORT WITH HOLE	
77	223701026	SILVER/A13 COFFEE DISPENSER AS.SMART	
	223701050	BLACK COFFEE DISPENSER AS.SMART	
78	147922249	CONNECTOR FOR ARTICULATED JOINT	
79	129533202	SCREW TSPTORX T10 3,5X9,5 D7982 NI	
80	145854962	SEAL FOR COFFEE DISPENSER V2 SMART	
81	145501211	RED FLOAT FOR DRIP TRAY SMART	
82	142714400	BEAN CONTAIN.NATURAL/GREY SMART DIG	
83	145896949	RETAINING INSERT TEFLON TUBE	
84	227701104	CREAM ADJUSTM.KNOB GLOSS CHR.PLATED	
85	11005044	SAECO KLUBER TRIBOSTAR SIL 2 TUBE 5GR.	
86	192200300	20x2 LCD WHITE DISPLAY FSTN	
87	125743421	STAINLESS STEEL GRATE SMART	
88	140320461	OR METRICO 0080-20 IN TERMOIL	
89	228660204	CONNECTOR FOR STEAM TUBE	
90	149213000	TRANSP.CAP FOR KNOBS BEAN CONTAINER	
91	129740202	SCREW TSP PH/TT 4X10 UNI 8113 ZNP UP TO S/N 9005SA40022836	WITH DOOR HINGE V2
	129511903	SCREW TCB 2,9X6,4 DIN 7981 BZ NICK FROM S/N 9005SA40022837	WITH DOO.HIN.V3+KIT
92	9991.096	SQUARE ADHESIVE FOOT 8X15X3,2	
93	220380259	ROTATING RING SMART WITH 3 FEET	WITH PART. N°92
94	229171626	SUPPORT ELEC.CARD AS.021YBDR SILVER	

POS	CODE	DESCRIPTION	NOTE
94	229171650	SUPPORT ELECT.CARD AS.021YBDR BLACK	
95	186400903	FLAT TABS 6,3 0210380440	
96	129562603	SCREW TSC PZ-B 2,9X9,5 UNI 6956 NI	
97	229183526	SUP.HINGE DOOR METAL.SMART SILV.A13	
	229183550	SUPPOR.HINGE DOOR METAL.SMART BLACK	
98	229183126	SUPPORT DOOR METAL.SMART SILVER A13	
	229183150	SUPPORT DOOR METALLIC SMART BLACK	
99	129512503	SCREW TCB 2,9X9,5 DIN 7981 NICK	
100	146680850	BLACK COFFEE MEASURE SMART	
101	229200250	BLACK CAP FOR KNOB CREAM ADJUSTMENT	
102	122842121	EXTERNAL COVER ST.STEEL PANNAR.G100	
103	129571521	SCREW TCB PH/SW 3X18 UNI 8112 INOX	
104	147757050	STEAM TUBE PROTECTION	
105	140320762	OR 108 IN SILICONE	
106	222270249	UPPER TUBE ASS.FOR PANNARELLO	
107	4301018000	LOWER INTERNAL PIPE	
108	228660304	CONNECTOR FOR STEAM TUBE	
109	149213450	CAP FOR COFFEE DISPENSER TUBE FROM S/N 9006SA40349625	
110	11002323	CONIC SEAL FOR COFFEE DISPENSER TUBE FROM S/N 9006SA40349625	
111	140640200	CREAM ADJUSTMENT SHAFT	
112	222802340	CUP WARMING LID SMART STAINSTEEL-SB	
113	227751808	CUPS PROTECTION SMART/DIG.CHROMED	
114	224890626	SILVER A13 FRONT.PANEL SMART DELUXE AS.	
	224890650	BLACK FRONT.PANEL SMART DELUXE ASSY.	
115	149253100	TOUCH PANEL 4+3 BUTTONS SMART DIGIT	
116	229141008	BUTTON SMART DELUXE CHROMIUM PLATED	
117	127573900	PLATE WITH LOGO SAECO SMART DIAMOND	
118	147757800	BEAN CONT. PROTECT. SMART NATUR/GREY	
119	20000960	SPARES KIT FOR COF. DISPENSER TUBE NEW UP TO S/N 9006SA40349624	
120	U109.006	SCREW AUT.TCB 2,2X9,5 DIN 7981 C NIK	
121	0301.961	STICKER FOR WATER HARDNESS TEST	



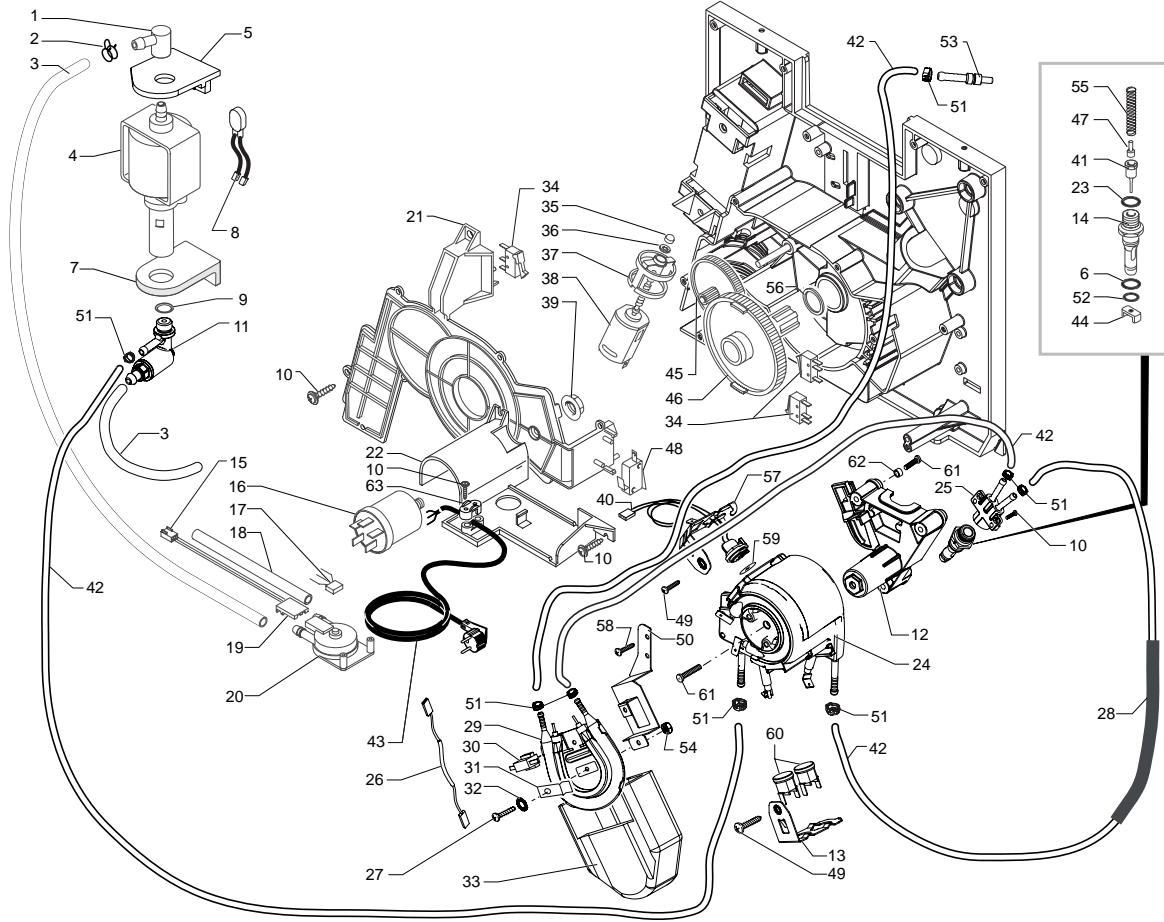
Saeco SUP021YBDR
INTERNATIONAL GROUP

INOX BOILER
TEFLON TUBE



Cod.740825-26-10000112-2292

POS	CODE	DESCRIPTION	NOTE	POS	CODE	DESCRIPTION	NOTE
01	147920150	90° CONNECTOR PUMP INLET		38	11003037	MOTOR FOR RATIOMOTOR ASSY.	
02	184320200	SPRING HOSE CLAMP D=9,5MM		39	123453602	FLANGE NUT M8 TOOTHED BASE GALV.	
03	149360200	SILICONE TUBE 5X8 70SR	IN ROLL	40	288582300	SENSOR ELECT.BOARD WITH CONNECTOR	
04	12000140	ULKA PUMP EP5/S GW	230V-50HZ	41	11009019	TEA/BRASS PISTON L=20.9 ASSY.	
	12000182	ULKA PUMP EP5/S GW	220V-60HZ	42	129573402	SCREW TAPT M4X10 DIN 7985 GALV	
	12000131	POMPA ULKA EP5/S	120V-60HZ	43	129910103	HI-LO TC SCREW 3.5X15 RIF.910189	
05	149205710	PUMP SUPPORT HOLE 13,2 RED		44	9011.099	CURSOR FOR BOILER VALVE IN PLASTIC	
06	149361200	BLACK SILICON TUBE 7,5X9,3	IN ROLL	45	9121.042	GEAR Z.12/90	
07	149185850	EATON PUMP SUPPORT MAGIC 4002012		46	9121.069.150	GEAR Z.108 FOR MOUNTING PLATE M4000	
08	0311.807	YELLOW HARNESS KLIXON JP 13	230V	47	11009013	TEA/BRASS PIN FOR PISTON L=10	
	289201000	AS.TERMPR.TERMICO 120°C CAV.125/365	120V	48	186723800	MICROSWITCH SAIA X3M502K2KAM92AS	
09	NM02.028	OR 2015 EPDM FDA		49	129573202	SCREW TCB PH/TT 4X8 UNI 8112 ZNP	
10	129914002	SCREW TCB TORX 10 3,5X16 PLAST.ZN-B		50	129025002	BRACKET BOILER SMART SUPPORT	
11	229452100	COMPENSATION AND SAFETY VALVE ASSY		51	129932202	ROUND HEAD SCREW 10.9 M5X20 GALV	
12	9011.144	FORK FOR TUBE D.4		52	NM01.057	OR ORM 0050-20 SILICONE	
13	140328059	OR 2015 IN SILICONE PTFE/FDA		53	147756562	PROTECTION FOR FOLK SPRING TUBE D=4	
14	9011.100	PEG FOR VALVE IN PLASTIC		54	U302.003	NUT HEXAGONAL M4 UNI 5588	
15	283551300	3POLE CONNECT.AS.TURBINE JP18 SMART		55	9011.132	SPRING FOR PIN	
16	184651100	ANTIDISTURB FILTER 0,47X2+1000Y2+0,5L	230V	56	9161.132	MYLAR WASHER FOR RATIOMOTOR	
	184651500	FILTRO ANTIDIST.16A F.NC.16.10.474.472.A	120V	57	126838217	SENSOR FIXING SPRING	
17		PARTICULAR NOT AVAILABLE	SEE PART. N°20	58	U310.003	NUT SELF LOCK.M5 UNI 7473	
18	JS01.022	SILICONE TUBE 5X10 60 SHORE	IN ROLL	59	145951600	UP TO S/N 9005SA40230571	
19	9161.018	FORK FOR WATERWHEEL		60	189428200	ELECTRIC INSULATING DISK D=16	230V
20	286473300	-M-VDE TURBINE WITH SENSOR KIT	WITH PART N°17	61	189428600	THERMOSTAT 175° 1NT-08L-3794	120V
21	9161.331.920	RATIOMOTOR COVER TRANSPARENT			U044.020	TERMOSTATO 175° 1NT-08L-5125	
22	149194800	TURBINE SUPPORT SMART				SREW TSP M5.0X30 UNI 7688 GALV.	
	11009371	NATURAL TURBINE SUPPORT SMART UL			129932502	UP TO S/N 9005SA40230571	
23	140320459	OR METRICO 0080-20 SILICON.PTFE/FDA				SELF DRILLING SCREW 5X30 GALVANIZED	
24	148600600	CABLE CLAMP V0 MAGIC ESP COMBI UL				FROM S/N 9005SA40230572	
25	183911550	POWER CABLE SCHUKO BLACK L=1500		62	9161.206	INSULATING SPACER FOR BOILER	
	183930850	BLACK POWER CABLE CH H05+3FAST.L=1500		63	126838117	2 THERMOSTATS FIXING SPRING	
	183940950	BLACK POWER CABLE AUST.H05+3FAS.L=1500		64	227876800	CONNECTOR AS. TEFLON 2X4 L=235 MM	
	11001845	BLACK POWER CABLE KOREA 3X1,25 L=1600		65	227875400	CONNECTOR AS. TEFLON 2X4 L=330 MM	
	183922450	CAVO AL.USA SJT 3C 16AWG NERO L=1500		66	227900303	BRASS/NIK. CONNEC. FOR BOILER SUPPORT	
26	183440800	CABLE 1 WIRE SILIC. BLACK THERM/FUSE 229°		67	123453902	SELF-LOCKI.NUT M5X0,8 DIN 980 CLA.8	
27	129823802	TCB SCREW M4X8 UNI 7687 ZNP		68	20000204	SPARES KIT SUPPORT BOILER SMART	
28	227874900	CONNECTOR AS.TEFLON 2X4 L=250 MM			149197700	UP TO S/N 9005SA40230571	
29	288140458	HEATING-ELEMENT BLECKMAN ASSY.	230V-1000W			SUPPORT FOR ALLUMINIUM BOILER SMART	
	288140455	AS.RESIS.BLECKMAN 30176 FILET.	120V-1000W			FROM S/N 9005SA40230572	
30	189428300	THERMOSTAT 175° INTERCONTR.161471002		69	282058858	ALUM.BOILER AS.WITH RESISTANCE	230V-1100W
31	127535319	THERMAL FUSE FIXING PLATE			282058855	AS.CALD.TUBOLV2 C/RES.SUPPL.	120V-1100W
32	128310404	WASHER UNI 8842 A4 BURNISHED			NM01.035	OR ORM 0090-20 SILICONE	
33	147755900	HEAT.ELEM. PROTECTION BLECKM. SMART			282135558	ALUM.BOILER 230V AS.WITH RESISTANCE	
34	NE05.038	MICROSWITCH			282135555	AS.GEN.CALD.AL.TUB.SMART/SIRIUS C/R.120V	COMPLETE
35	9121.046	SINTERED BUSH FOR MOTOR				WITH PART. N°13-14-23-28-40-41-43-44-47-49	COMPLETE
36	148380200	WASHER BAKELIZZATE D=5,5				51-52-53-55-57-58-59-60-63-64-66-67-68-69-70	
37	9121.044	ANTIVIBRATION FOR MOTOR					



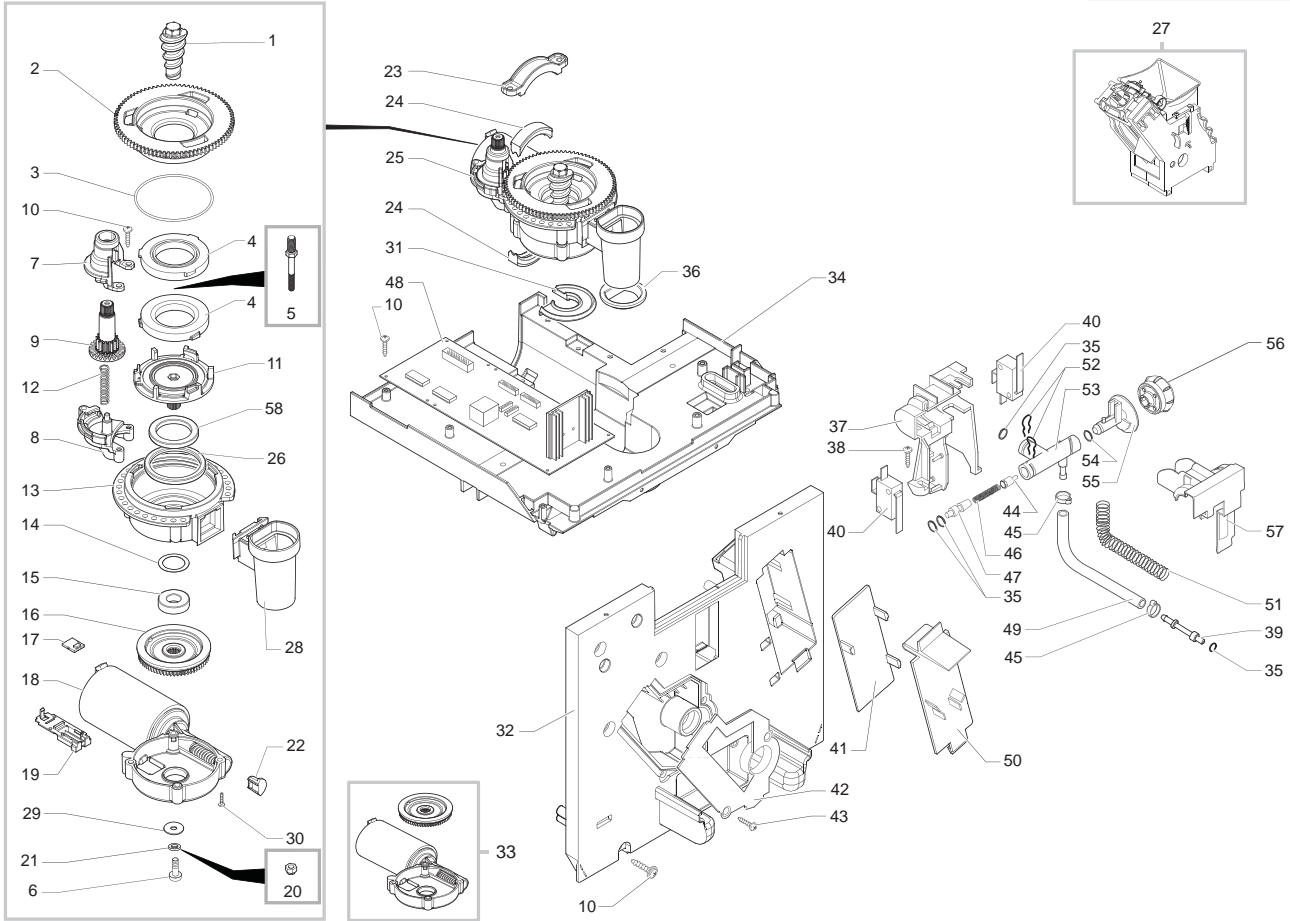
Saeco SUP021YBDR
INTERNATIONAL GROUP

INOX BOILER
REINFORCE
SILICONE TUBE



Cod.740825-26-10000112-2292

POS	CODE	DESCRIPTION	NOTE	POS	CODE	DESCRIPTION	NOTE
01	147920150	90° INLET CONNECTOR PUMP		42	16000380	5X8,9 SILICONE TUBE	IN ROLL
02	184320200	SPRING HOSE CLAMP D=9,5MM		43	183911550	POWER CABLE SCHUKO BLACK L=1500	
03	149360200	SILICONE TUBE 5X8 70SR	IN ROLL	44	183930850	BLACK POWER CABLE CH H05+3FAST.L=1500MM	
04	12000140	ULKA PUMP EP5/S GW	230V-50HZ	45	9011.099	M CURSOR FOR BOILER VALVE IN PLASTIC	
05	149205710	PUMP SUPPORT HOLE 13,2 RED		46	9121.042	GEAR Z.12/90	
06	NM01.035	OR ORM 0090-20 SILICONE		47	9121.069.150	GEAR Z=108 FOR MOUNTING PLATE M4000	
07	149185850	EATON PUMP SUPPORT MAGIC 4002012		48	11009013	TEA/BRASS PIN FOR PISTON L=10	
08	0311.807	YELLOW HARNESS KLIXON JP 13	230V	49	186723800	MICROSWITCH SAIA X3M502K2KAM92AS	
09	140321961	OR 2031 IN TERMOIL		50	129573202	SCREW TCB TORX 20 M4X8 AUTOFORMING ZN-B	
10	129914002	SCREW TCB TORX 10 3,5X16 PLAST.ZN-B		51	129025002	BRACKET BOILER SMART SUPPORT	
11	11010166	SAFETY VALVE 16-18 BAR V2 P0049 ASSY.		52	12000892	OETIKER CLAMP D=9,5 16700004	
12	11004209	SUPPORT FOR ALLUMINIUM BOILER SMART		53	NM01.057	OR ORM 0050-20 SILICONE	
13	126838117	2 THERMOSTATS FIXING SPRING		54	11000750	TEA/BRASS CONNECTOR FOR SILICONE TUBE	
14	9011.100	PEG FOR VALVE IN PLASTIC		55	U302.003	NUT HEXAGONAL M4 UNI 5588	
15	283551300	3POLE CONNECT.AS.TURBINE JP18 SMART		56	9011.132	SPRING FOR PIN	
16	184651100	ANTIDISTURB FILTER 0,47X2+1000Y2+0,5L		57	9161.132	MYLAR WASHER FOR RATIOMOTOR	
17		PARTICULAR NOT AVAILABLE	SEE PART.N°20	58	126838217	SENSOR FIXING SPRING	
18	JS01.022	SILICONE TUBE 5X10 60 SHORE	IN ROLL	59	129573402	SCREW TAPT M4X10 DIN 7985 GALV	
19	9161.018	BRACKET FOR TURBINE		60	145951600	ELECTRIC INSULATING DISK D=16	
20	286473300	-M-VDE TURBINE WITH SENSOR KIT	WITH PART.N°17	61	189428200	THERMOSTAT 175° 1NT-08L-3794	
21	9161.331.920	TRANSPARENT RATIOMOTOR COVER		62	129932502	SCREW TCEI 5X30 PLAST.ZN-B	
22	149194800	NATURAL TURBINE SUPPORT SMART		63	9161.206	INSULATING SPACER FOR BOILER	
23	140320459	OR ORM 0080-20 IN SILICONE PTFE/FDA			148600600	CABLE CLAMP V0 MAGIC ESP COMBI UL	
24	11004667	V5 TUB.BOILER W/ADDIT.RESIST.	230V-1100W				
25	11002606	BOILER SUPPORT CONNECTOR			11010353	BOILER SMART/RS V3 230V ASSY.	COMPLETE
26	183440800	CABLE 1 WIRE SILIC.BLACK THERM/FUSE 229°					
27	129823802	TCB SCREW M4X8 UNI 7687 ZNP					
28	11010624	TRANSP.SILICONE TUBE 10,5X12,3 L=200 MM					
29	11004550	BLECKMAN RESISTANCE SMART ASSY.	230V				
30	189428300	THERMOSTAT 175° INTERCONTR.161471002					
31	127535319	GALV/STEEL THERMAL FUSE FIXING PLATE					
32	128310404	WASHER UNI 8842 A4 BURNISHED					
33	147755900	HEATELEMENT PROTECTION BLECKMANN SMART					
34	NE05.038	MICROSWITCH					
35	9121.046	SINTERED BUSH FOR MOTOR					
36	148380200	WASHER BAKELIZZATE D=5,5					
37	9121.044	ANTIVIBRATION FOR MOTOR					
38	11003037	MOTOR FOR RATIOMOTOR ASSY.					
39	123453602	FLANGE NUT M8 TOOTHED BASE GALV.					
40	288582300	SENSOR ELECT.BOARD WITH CONNECTOR ASSY.	230V				
41	11009019	TEA/BRASS PISTON L=20,9 ASSY.					



Saeco SUP021YBDR
INTERNATIONAL GROUP



Cod.740825-26-10000112-2292

POS	CODE	DESCRIPTION	NOTE	POS	CODE	DESCRIPTION	NOTE
01	9141.001	BRASS INCREMENT SCREW MC UP TO S/N.9008SA40290194		27	11003426	BLACK BREW UNIT V3 NEW/SBS SMART (SEE COD. EXP. E90046) NOTE:FOR SINGLE PARTS OF OLD GREY BREW UNIT: SEE ESP.CODE E90041	
	11011205	TEA/ZAMA INCREASE SCREW GRINDER FROM S/N.9008SA40290195		28	11012564	GROUND COFFEE OUTLET CONVEYOR V2 ASSY.	
02	149198250	UPPER GRINDER SUPPORT COFFEEGRINDER		29	128381902	FLAT WASH.DI=4,3 DE=14 SP=1,5 GALV.	
03	140328960	NBR FDA OR METRIC 0530-15		30	129661702	PANELVIT TCB SCREW 3,5X25 D.7505 ZN	
04	146520100	BAKED CLAY KLAGER GRINDER 48X28		31	145854662	COFFEGRIND.MOTOR ANTIVIBR.SEAL SMART	
05	127473603	STEEL PIN M4-M6 FOR INCREMENT SCREW UP TO S/N.9008SA40290194		32	227533000	ASSEMBLY BOILER SUPPORT PLATE SMART	230V
06	129574802	SCREW TCB TORX 20 M4X30 ZN-B FROM S/N.9008SA40290195			11009360	BOILER SUPPORT PLATE SMART UL ASSY.	120V
07	149199750	UPPER GEAR SUPP. COFFEEGRINDER SMART			11023172	MOUNTING PLATE WITH PIN V2 NESPR.UL ASSY	KOREA
08	149199850	LOWER GEAR SUP. COFFEEGRINDER SMART			20000202	SPARES KIT MOTOR COFFEEGRIND./V3 230V UP TO S/N 9005SA40362331	WITH PART. N°16 - 18
09	146002150	COFFEE GRINDIN. ADJUSTMENT GEAR SMART		34	11006440	BLACK GRINDER SUPPORT PLATE V3 SMART1	230V
10	129914002	SCREW TCB TORX 10 3,5X16 PLAST.ZN-B			11000467	BLACK GRINDER SUPP. PLATE V3 SMART1 UL	120V
11	149198350	LOWER GRINDER SUPPORT COFFEEGRINDER		35	140328059	OR 2015 IN SILICONE PTFE/FDA	
12	126772918	SPRING FOR ADJUSTMENT GRINDING GEAR		36	145854462	GROUND COFFEE CONT.SEAL LOWER SMART1	
13	142905450	UPPER BODY WITH COFFEE.GROUND OUTLET		37	11005343	BLACK FAUCET SUPPORT V2 SMART	
14	128381800	CRINKLE WASHER 21,8X15,8X0,2		38	12000450	SCREW TCB TORX 10 3,5X12 PLAST.ZN-N	
15	123030200	RADIAL BEARING 61900.2RS1		39	227961303	STRAIGHT CONNECTOR	
16		PARTICULAR NOT AVAILABLE UP TO S/N 9005SA40362331	SEE PART. N°33	40	186724200	MICROSWITCH SAIA X3M502K2KAJ32AV	
	226000300	GEAR SX Z=38 ASS.FOR GRINDER MOTION FROM S/N 9005SA40362332		41	9161.345.050	INT.COVERING BLACK PUMP SPACE	
17	20000230	KIT SPARES FOR SENSOR MC/V3 SMART UP TO S/N 9005SA90357734		42	9161.333.050	BOILER BLACK COVER	
	181540900	ELECTRONIC BOARD WITH SENSOR HAL506 FROM S/N 9005SA90357735		43	11009327	BLACK BOILER COVER SMART UL	
18		PARTICULAR NOT AVAILABLE UP TO S/N 9005SA40362331	SEE PART. N°33	44	129535721	SCREW TSP3,5X9,5 DIN 7982 SS	
	11004354	MOTOR COFFEEGRINDER/V3.1 IME ASSY. FROM S/N 9005SA40362332	230V	44	11009018	TEA/BRASS PISTON L=15,1 ASSY.	
	11004409	MOTOR COFFEEGRINDER/V3.1 IME ASSY.	120V	45	NF11.052	OETIKER CLIP	
19	149199050	SENSOR SUPPORT FOR COFF.GRIND.MOTOR		46	126765317	STEEL SPRING BOIL. PISTON MAG.9011	
20	123453102	SELF LOCK NUT M4 DIN 982 HIGH GALV. UP TO S/N.9008SA40290194		47	11009007	TEA/BRASS CAP FOR FAUCET NESPRESSO	
21	128310402	GALV.WASHER UNI 8842 A4 FROM S/N.9008SA40290195		48	11002814	ELECTR.BOARD POWER SUP021YBDR/V1	230V
22	149214800	CAP FOR WORM SCREW MC/V3 CENTRING		48	11007641	POWER BOARD P120V1 DL	120V
23	144752300	DEADLOCK MOTOR FLANGE SMART1		49	JS01.019	SILIC. TUBE FABRIC FINISH 3X7	IN ROLL
24	145854562	COFFEGRIND.MOTOR SUPP. SEAL SMART1		50	9161.332.050	EXT.COVERING BLACK PUMP SPACE	
25	11000516	GENERAL MOTOR ASS.MC/V3.1	230V	51	126772018	SPRING DI=7,5 FOR FABRIC FINISH TUB	
	11000514	GENERAL MOTOR ASS.MC/V3.1 120V	120V	52	9011.144	FORK FOR TUBE D.4	
26	140360500	FELT RING 45,4X39,4X4		53	11003733	NIKELED STEAM FAUCET	
				54	140328561	OR D=4,18 X 1,90 IN TERMOIL	
				55	140640300	FAUCET SHAFT FOR SMART	
				56	227710904	STEAM KNOB ZAMAS CHROM.PLATED SMART	
				57	147756400	PROTECTION FAUCET BODY WATER/STEAM	
				58	123030300	AXIAL BEARING EKKO 342.35252	

Saeco
INTERNATIONAL GROUP

INCANTO DLX

Rev. 07 - 01/12/09

TABLE 4/4