



LUCKY DOG®

STAY Series Kennels Studio & Villa

4ft. x 4ft. (UP4PRM) & 4ft. x 8ft. (UP8PRM)

UP4PRM



UP8PRM



Please read through instructions completely prior to assembly.

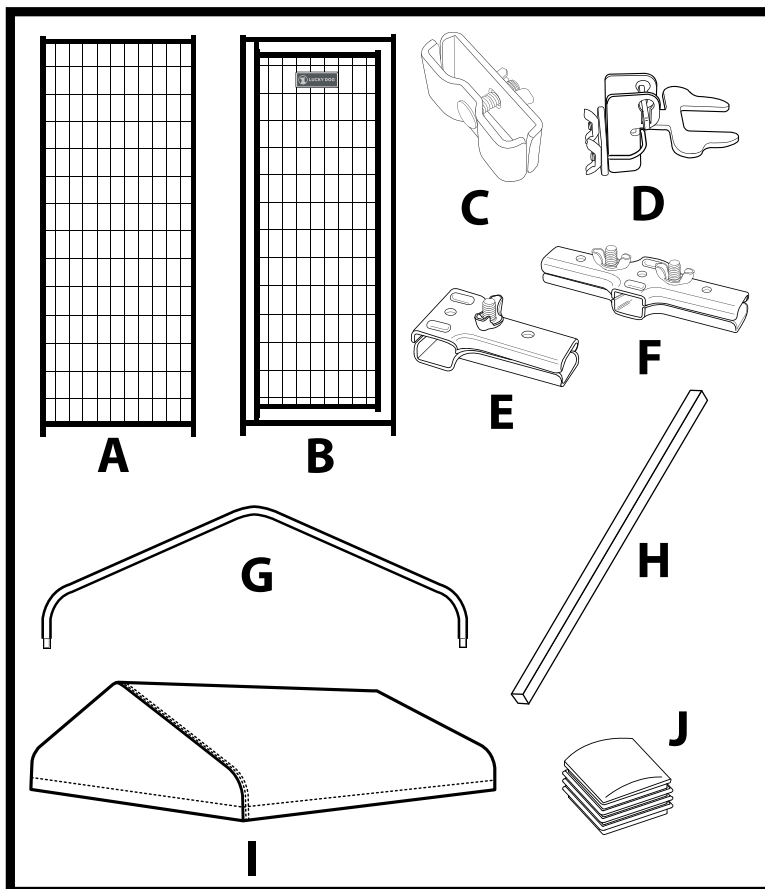
TOOLS: No tools required for assembly

ASSEMBLY: Recommend 2 people for assembly.

APPROXIMATE ASSEMBLY TIME WITH 2 PEOPLE: 45-60 minutes.

SITE PREPARATION: Ensure the area where you are placing your kennel is a flat level surface, free from debris that can harm your pet.

SEPARATE AND IDENTIFY ALL PARTS



UP4PRM UP8PRM

	UP4PRM	UP8PRM
A	7	11
B	1	1
C	16	24
D	1	1
E	2	2
F	0	1
G	2	3
H	1	2
I	1	1
J	17	25

LIMITED EXPRESS WARRANTY

Jewett Cameron Companies warrants your outdoor kennel to be free of defects in workmanship and further warrants that under normal use will be free of problems for 2 full years from date of purchase by original purchaser.

Jewett Cameron Company WILL NOT HAVE OTHER OR GREATER LIABILITY FOR DEFECTS, NOR WILL Jewett Cameron Company HAVE ANY LIABILITIES FOR INCIDENTAL OR CONSEQUENTIAL DAMAGES.

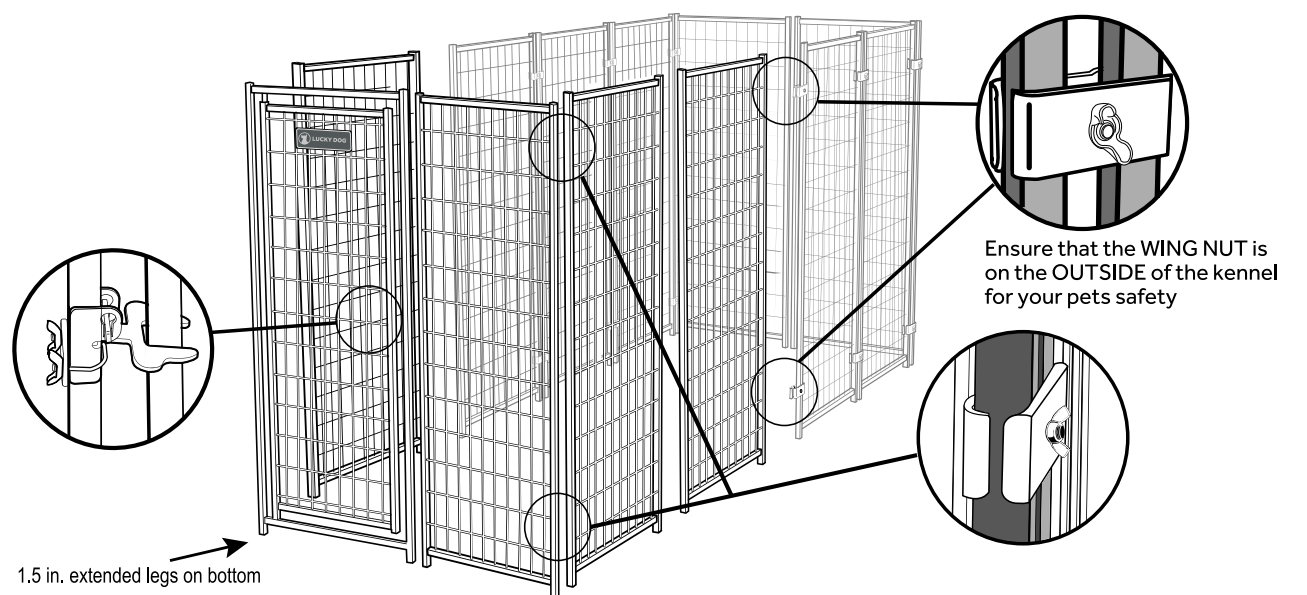
Some states do not allow the exclusion or limitation of incidental or consequential damages, so the above limitation or exclusion may not apply to you. If you discover a defect in the kennel during the warranty period and wish to obtain replacement parts or have questions, send notice of claim to:

**Jewett Cameron Company
PO Box 1010
North Plains, Oregon 97133**

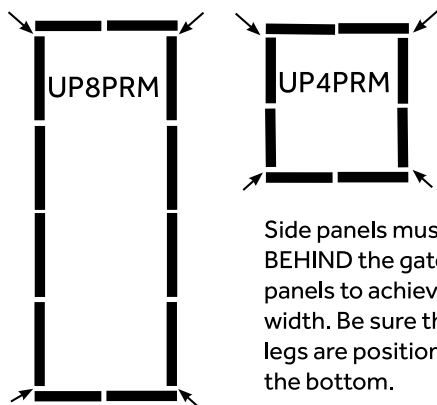
Include your return address, a copy of the original invoice or proof of purchase, plus a description of claimed defect. All implied warranties of merchantability and fitness for particular purpose are limited to a duration of two (2) years from date of purchase. Some states do not allow limitations on how long an implied warranty may last, so the above limitations may not apply to you. This warranty gives you specific legal rights and you may also have other rights, which may vary from state to state.



LUCKY DOG® Assembly Instructions

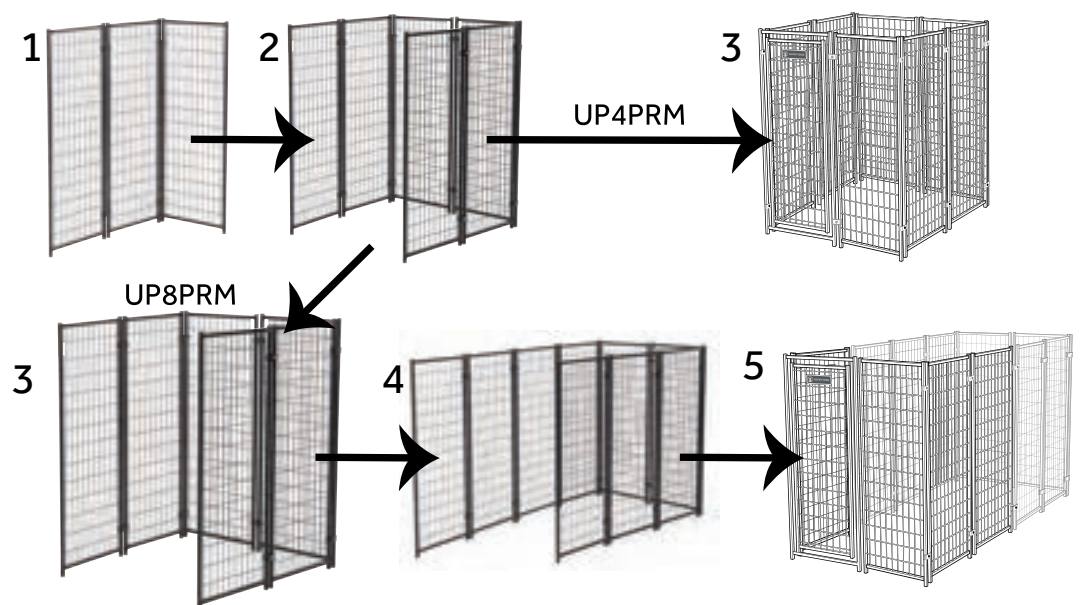


1) LAYOUT PANELS



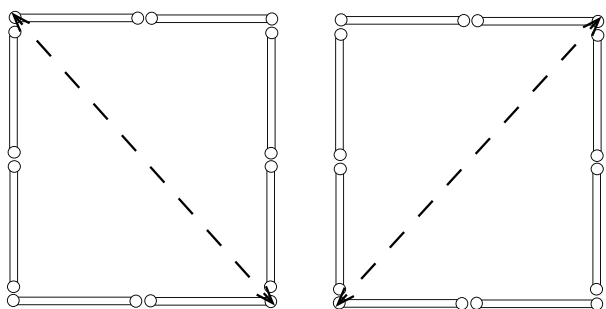
Side panels must be aligned BEHIND the gate and back panels to achieve the correct width. Be sure the 1.5" extended legs are positioned to be on the bottom.

2) CONNECT PANELS

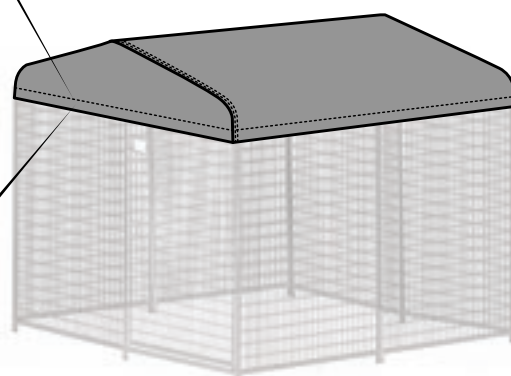
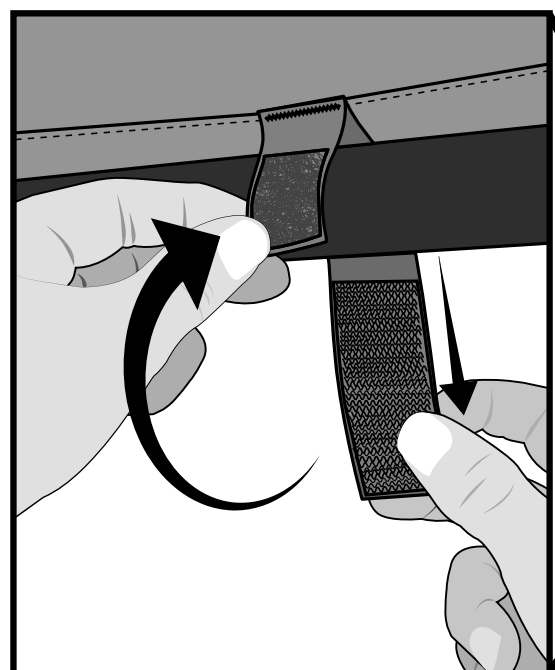
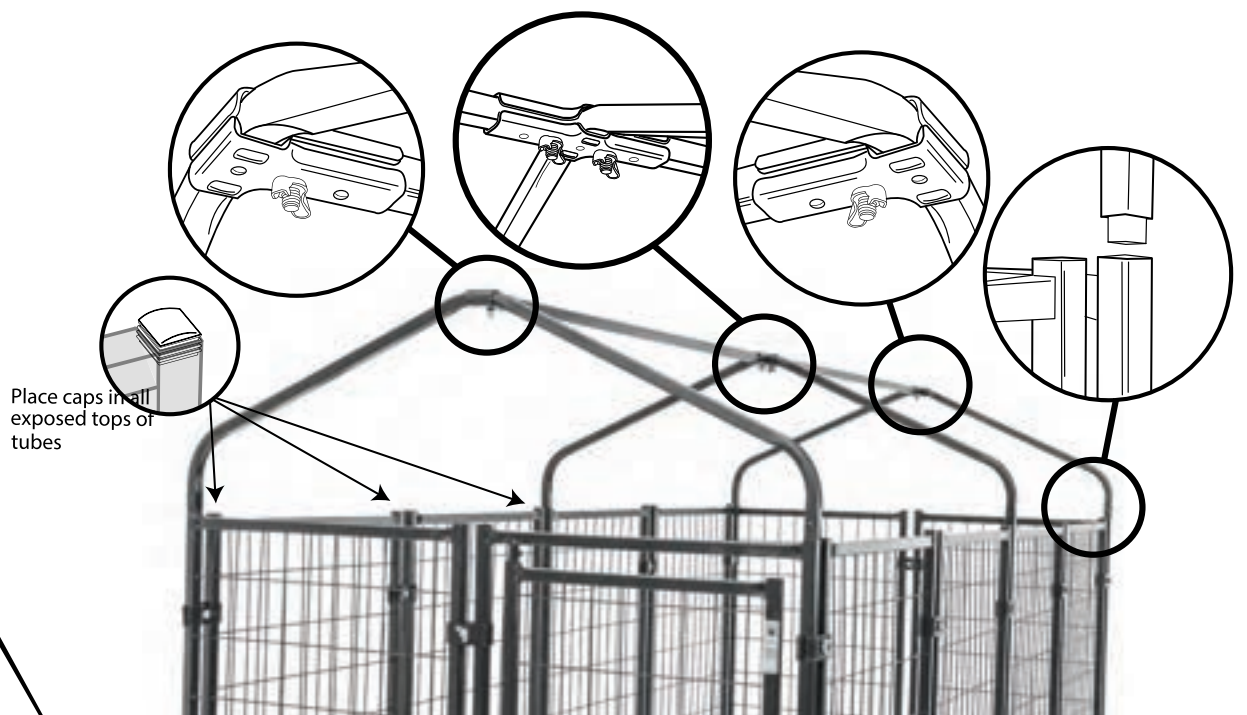


Check that the kennel is squared before installing roof frame and cover

Measure from back left corner to front right corner, note the length. Measure from back right corner to front left corner, note the length. The two lengths should match closely (+ or - 3"). If they are equal, the assembly is square. If not, push in on the corners of the longer of the 2 diagonals until they match within 3".
Note: do not change the positioning/alignment of the panels.
Recommend two people, one tape measure



3) INSTALL ROOF FRAME AND COVER



Drape Canopy cover over kennel roof frame with the Lucky Dog® woven label on the exterior and attachment tabs on interior. Secure cover to kennel at all 4 corners first. Attach the tabs to the frame by pulling the long end of the tab around the outside of the top frame rail, looping it around while pulling snugly, and attaching it to small tab.

Warning: Roof is non-load bearing

Remove Canopy cover from frame before wind or snow