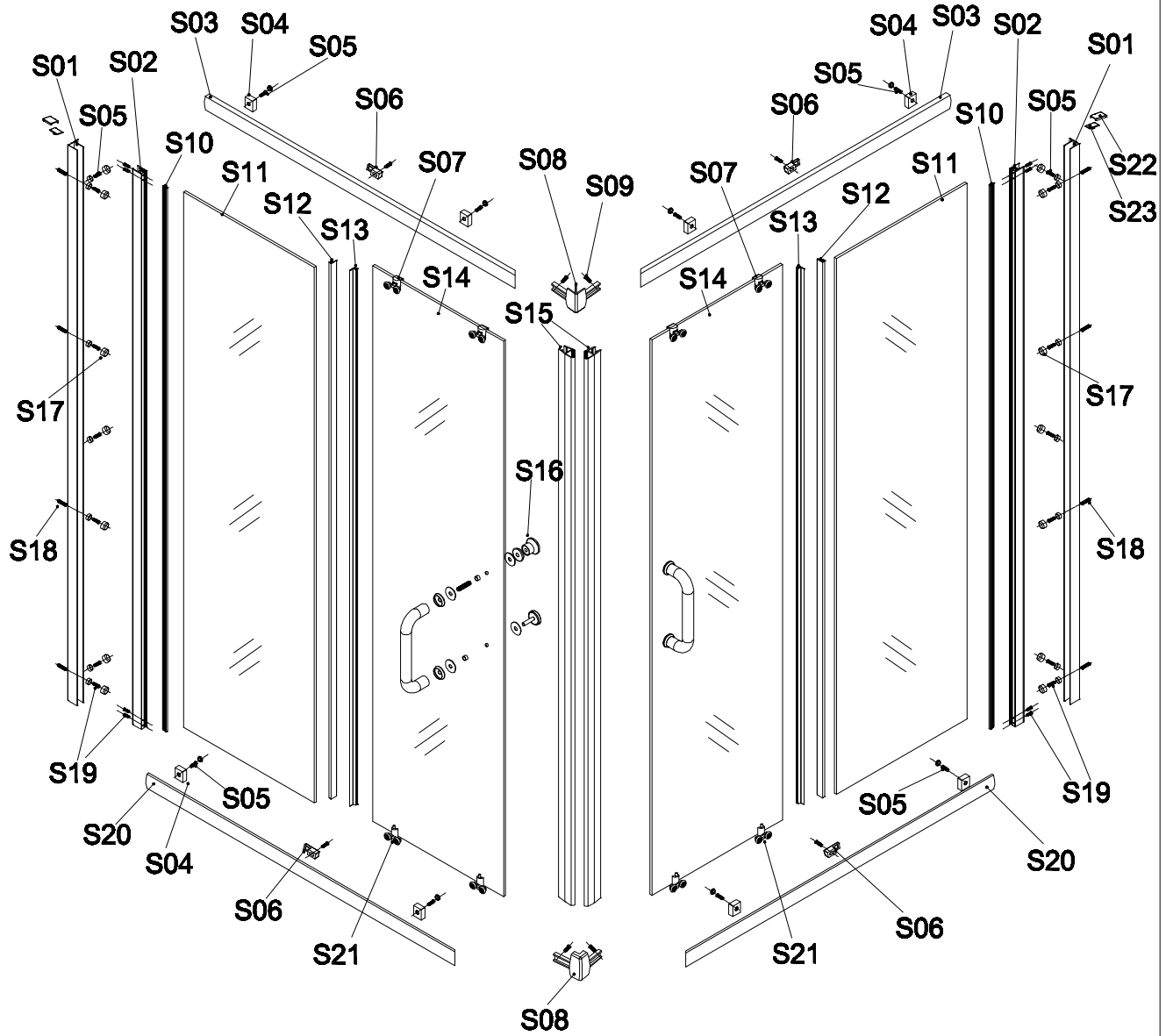
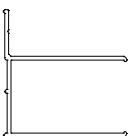
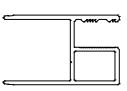

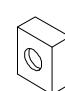
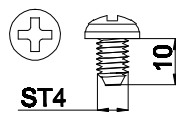
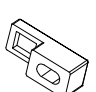

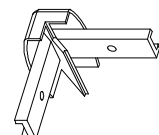
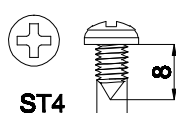


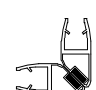
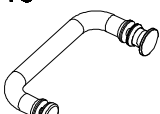


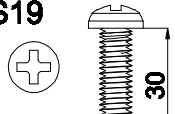
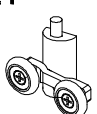
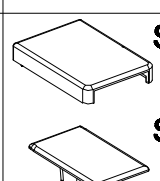
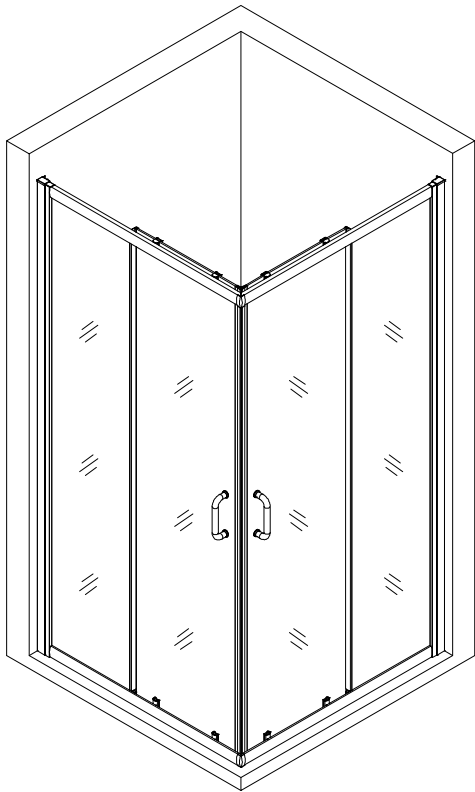
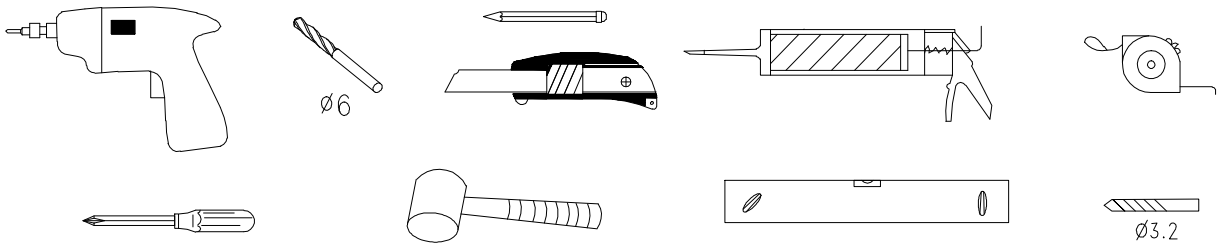


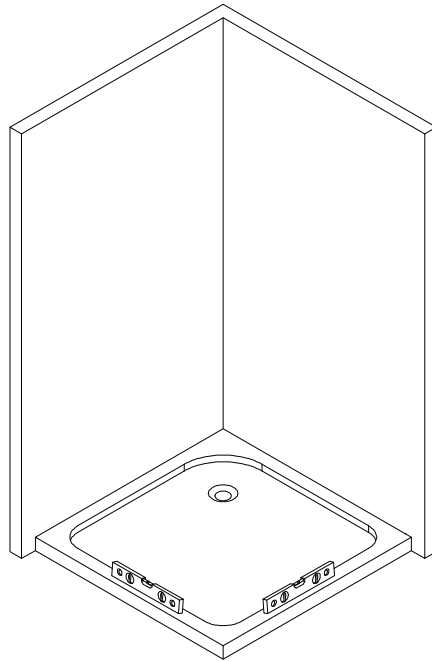
BL series



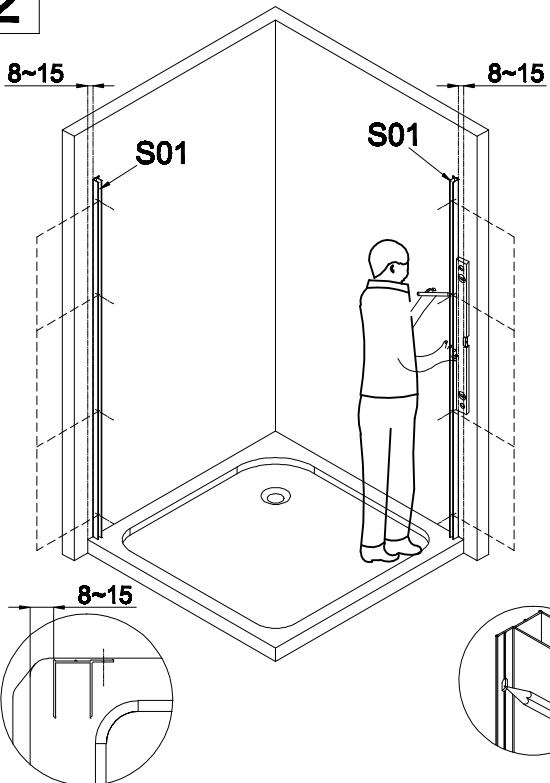
S01  x2	S02  x2	S03 S20  x4	S04  x8	S05  ST4 10 x18	S06  x4
S07  x4	S08  x2	S09  ST4 8 x4	S10  x2	S12 S13  x4	S15  x2
S16  x2	S17  x14	S18  x8	S19  ST4 30 x16	S21  x4	S22 S23  x2 x2



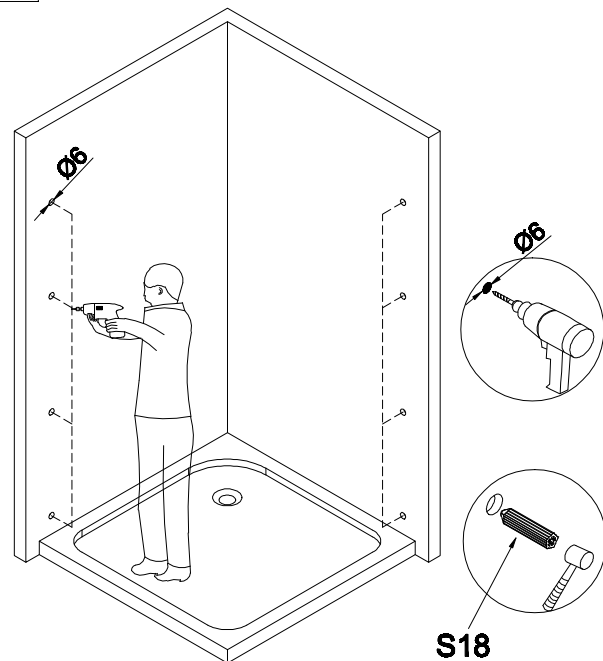
1

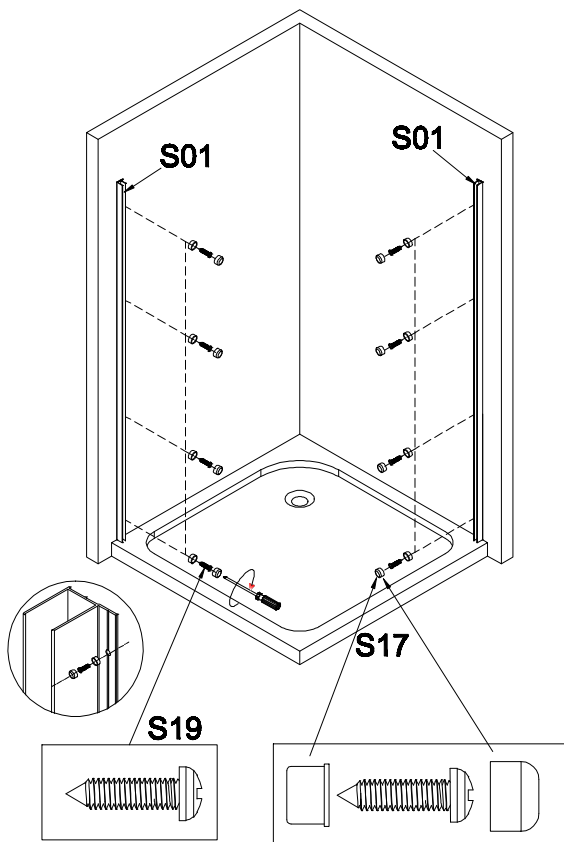
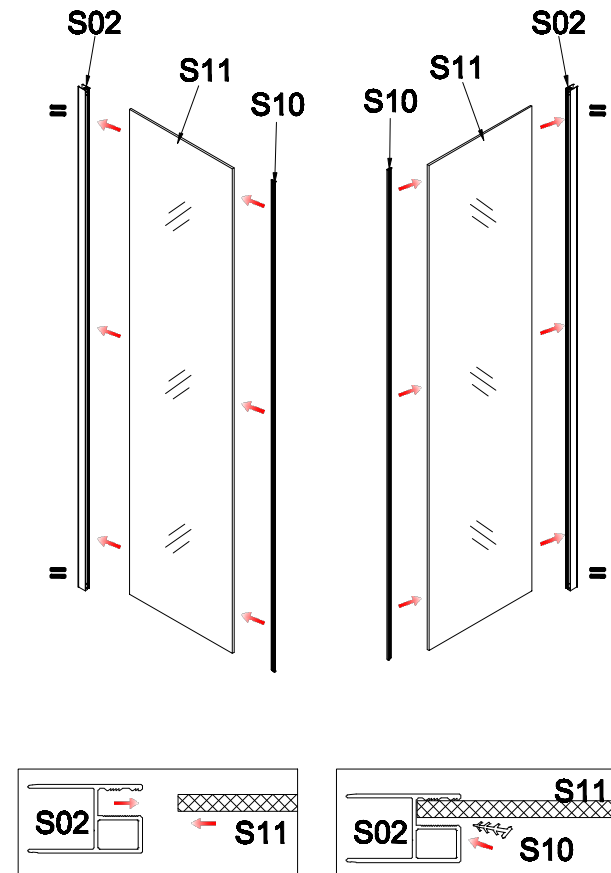
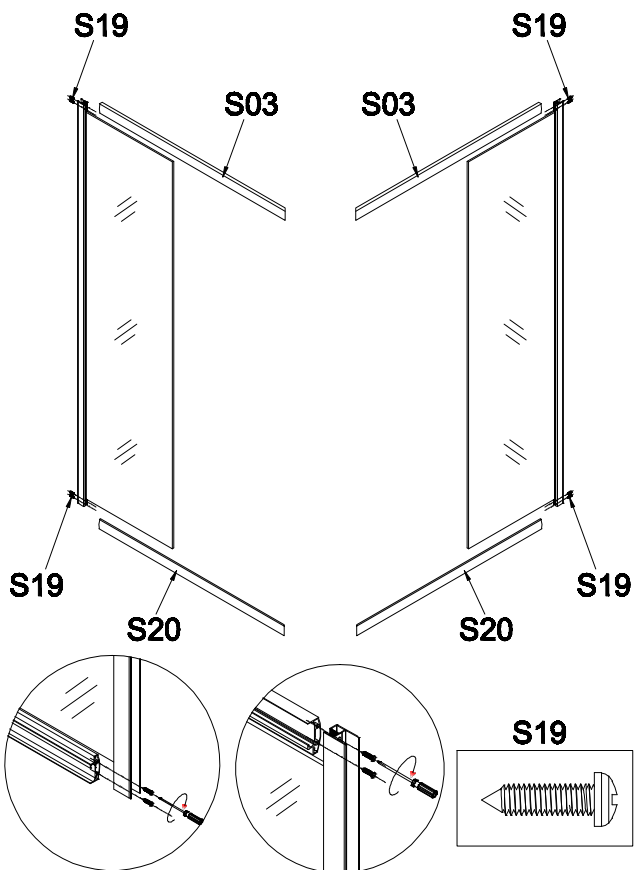
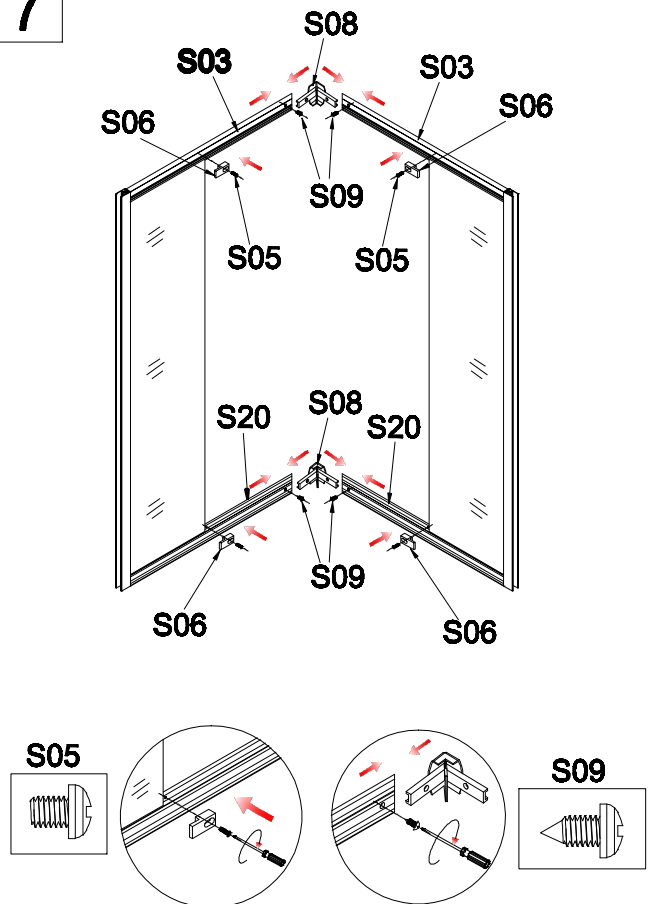


2

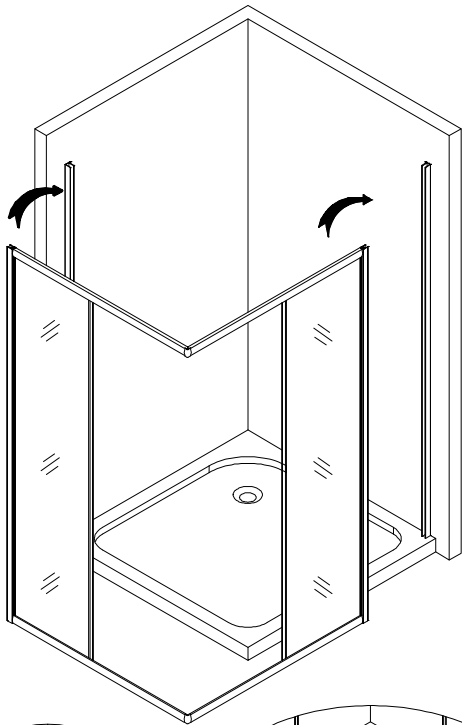


3

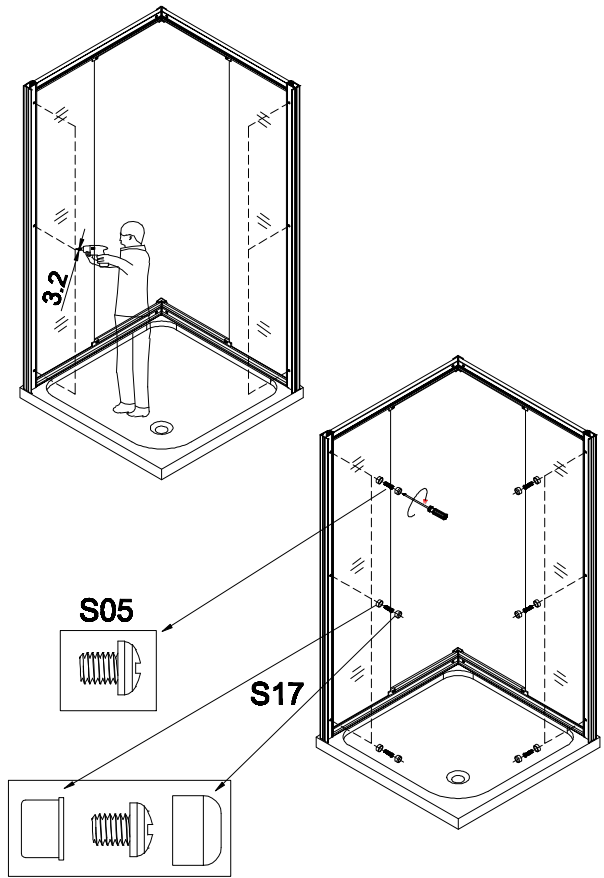


4**5****6****7**

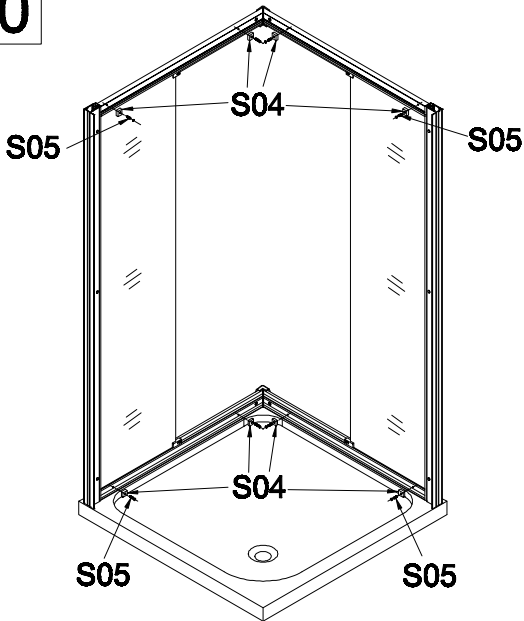
8



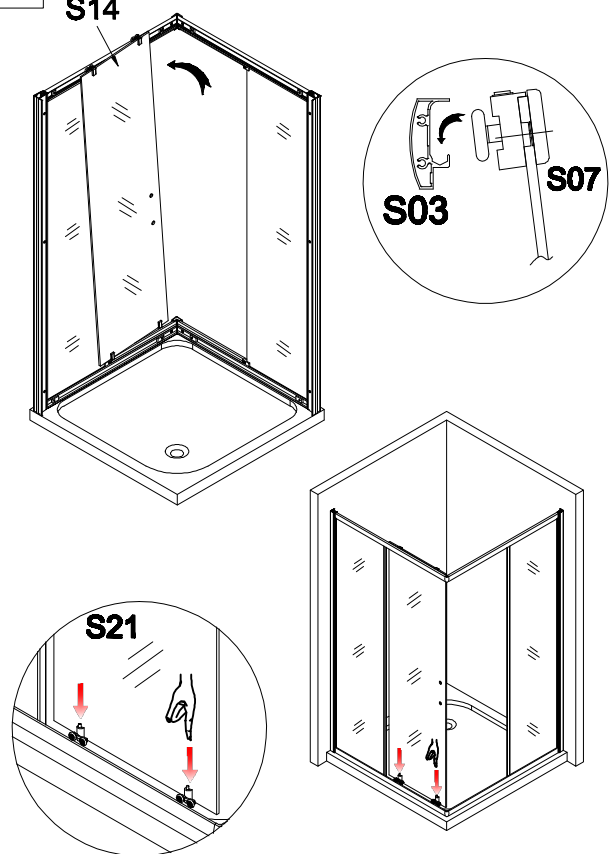
9



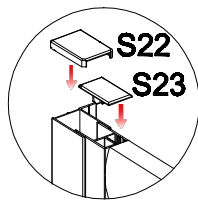
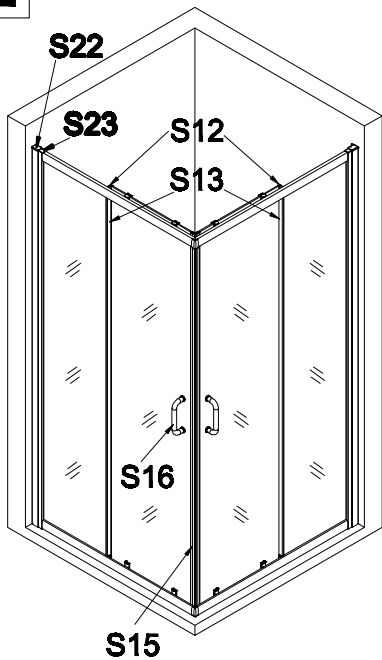
10



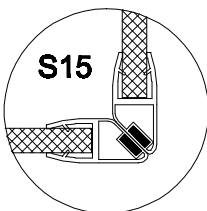
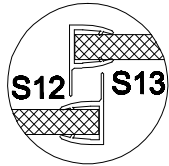
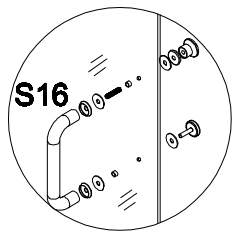
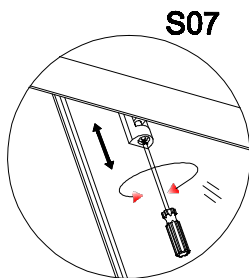
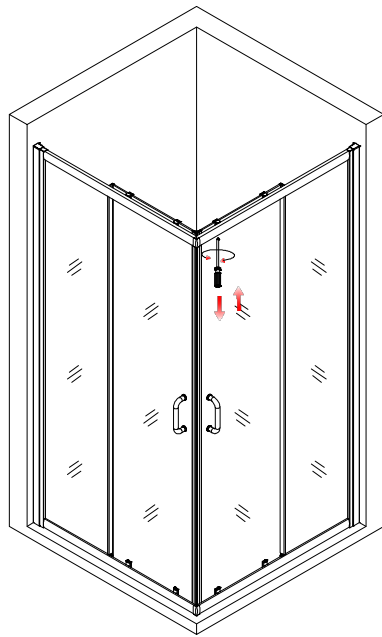
11



12



13



14

