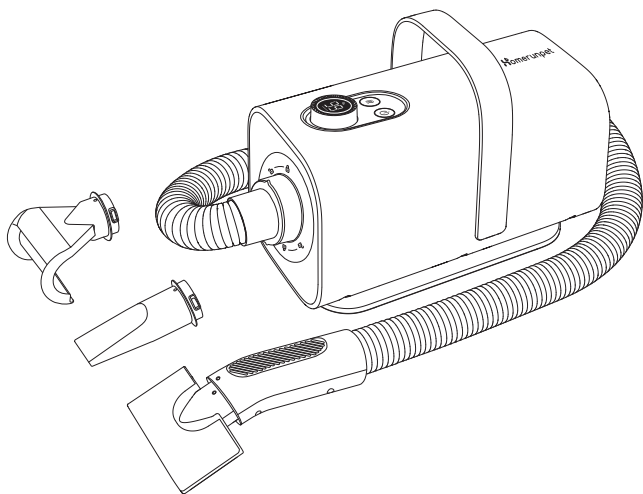


Homerunpet

Pet Blow Dryer

—
PD 10



User Guide

ENGLISH

Read this user guide carefully and keep it safe for future use!

Contents

▲ SAFETY INSTRUCTIONS	2
01 Package Contents	5
02 Device Overview	6
03 Nozzles	7
04 Installation	8
05 User Guide	9
06 Knob Display Screen	11
07 Cleaning	12
08 Troubleshooting	13
09 Product Specifications	15
10 Warranty	15

▲ SAFETY INSTRUCTIONS

※ IMPORTANT NOTES

Please read the user guidance carefully before using the product and keep it in a safe place. Failure to comply with this manual and safety tips can lead to product damage, personal injury or property damage. When using it, be sure to comply with the safety tips, including:

- Apply rated voltage and rated frequency that meet the requirements of the equipment;
- Do not use it near textiles, flammable objects, flammable gases, heat sources, fire sources or other high temperature environments to prevent accidents;
- Do not block the air outlet and inlet with fingers or other objects when using the device. Clean after use to avoid the accumulation of grease and other residues;
- Do not open the filter cover during device operation;
- Clean the air inlet regularly to ensure smooth air flow. Make sure no obstacles stand before the inlet;
- Never leave the blow dryer alone when it is on. When you finish using it or when there is a power outage, please turn it off and then pull the plug out of the socket;
- Protect the device from falling down or being stricken with strong force;
- Do not connect any accessories of other brands to this blow dryer to prevent accidents;
- Please check the power cord regularly. If the plug, power cord, or blow dryer is damaged, do not use it any more;
- This blow dryer is not recommended for use by individuals with physical disabilities, delayed reactions, children, or those with mental disorders unless there is a guardian present to supervise and guide the use of the device, and assume responsibility for the safety of the user;
- Do not place the device in an area accessible to children, and ensure that children do not play with the device;
- Do not use diluent, benzene or other solvents to clean the water blower;
- If you encounter any problems, please consult the troubleshooting table in the manual and avoid attempting to disassemble the device yourself;
- Keep the device away from water sources and do not expose it to moisture. Do not use this device outdoors or on wet ground;
- For protection purposes, it is recommended to install a residual current device (RCD) with rated residual working current no more than 30mA in the bathroom. Consult the RCD installer;
- If the power cord is damaged, it must be replaced by a designated professional from the manufacturer or the maintenance department;
- When using the device in the bathroom, it is important to unplug it after use. Even when the device is powered off, it can still pose a danger when it is near water;
- Do not use the blow dryer when taking a shower or bathing;
- Do not use the device near bathtubs, washbasins, or other objects that hold water.



The device, its accessories, and packaging should be disposed of in accordance with local and national regulations.

NOTES

- Before using it, please check whether the power cord is peeling off or damaged. If peeling off, please stop using it immediately;
- Do not use this product in excessively damp environments or in water to prevent electrical leakage;
- Do not touch or unplug the power plug with wet hands to prevent electric shock;
- Please place it on a hard and flat surface rather than inclined or soft objects, so as to prevent the device from tipping;
- Before using, tighten the hose at each joint to prevent air leakage, which can affect the performance of the device;
- Before using, please hold the hose handle, and then adjust the wind speed setting to prevent the nozzle from shaking;
- Due to the high wind speed, do not point the nozzle towards people or objects to prevent discomfort or potential danger;
- Please set the wind speed to zero after use, and then carefully place the nozzle and hose down until the dryer stops blowing;
- To prevent the motor from overheating and burning out, please make sure not to block the air outlet or inlet;
- Please clean the filters only when the power is disconnected;
- The main unit of the device should not be washed or exposed to direct sunlight. After disconnecting the power cord, it can be wiped with a dry cloth;
- Please use the air-drying feature for pets only under the supervision of their owners;
- When drying your pet, it is important to lower the temperature and wind speed if they appear uncomfortable. If the signs of discomfort persist, please stop using the device immediately.

DAILY MAINTENANCE

- Do NOT turn on the power supply for an extended period of time when the device is not in use;
- Please clean the filter parts regularly for better results;
- Please clean the nozzle, hose, hose connector and power cord regularly and check their conditions;
- Please disconnect the power supply and wipe the water stains on the surface with a dry cloth after using;
- Please properly store the hose, hose connector, nozzle, and power cord after use;
- Please store the device in a cool and dry place after use.

For customers in the U.S.A.



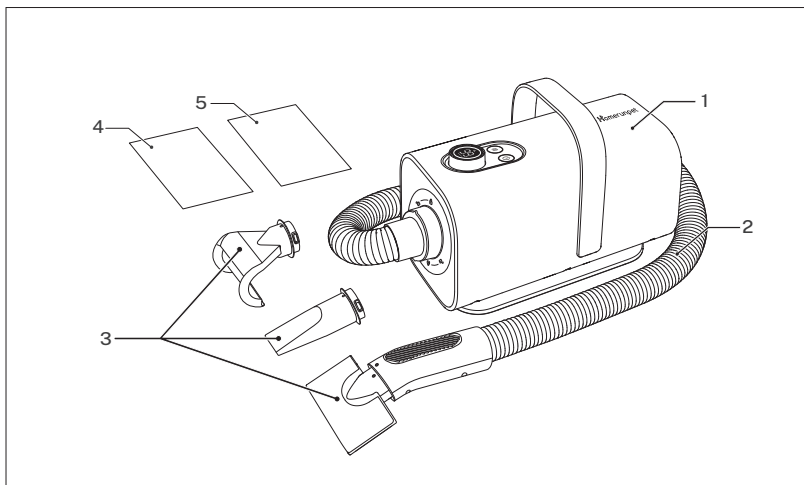
Note:

This equipment has been tested and found to comply with the limits for a Class B digital device, pursuant to part 15 of the FCC Rules. These limits are designed to provide reasonable protection against harmful interference in a residential installation. This equipment generates, uses and can radiate radio frequency energy and, if not installed and used in accordance with the instructions, may cause harmful interference to radio communications. However, there is no guarantee that interference will not occur in a particular installation. If this equipment does cause harmful interference to radio or television reception, which can be determined by turning the equipment off and on, the user is encouraged to try to correct the interference by one or more of the following measures:

- Reorient or relocate the receiving antenna.
- Increase the separation between the equipment and receiver.
- Connect the equipment into an outlet on a circuit different from that to which the receiver is connected.
- Consult the dealer or an experienced radio/TV technician for help.
- Please note that changes or modifications of this product is not expressly approved by the party responsible for compliance could void the user's authority to operate the equipment.

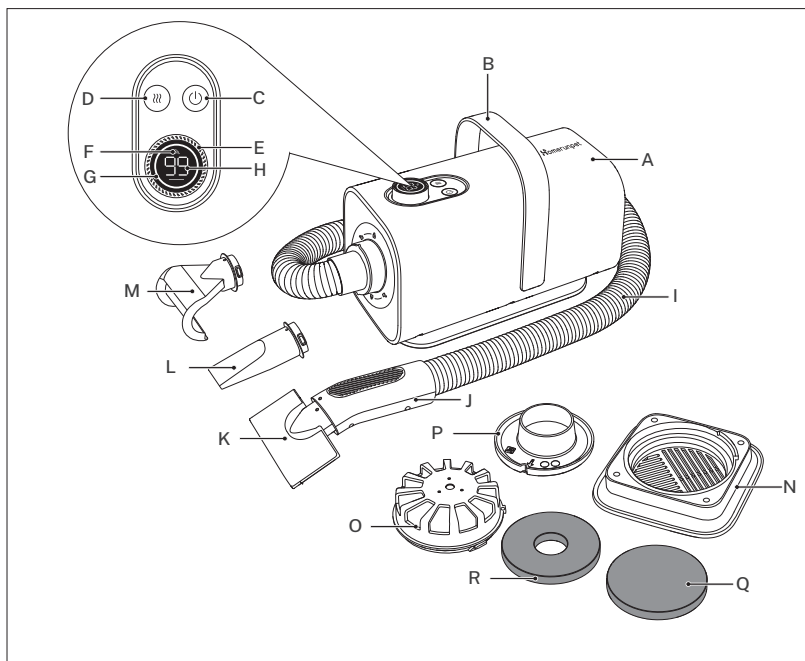
This appliance has a polarized plug (one blade is wider than the other). To reduce the risk of electric shock, this plug is intended to fit in a polarized outlet only one way. If the plug does not fit fully in the outlet, reverse the plug. If it still does not fit, contact a qualified electrician. Do not modify the plug in any way.

01 Package Contents



Number	Item
1	Blow Dryer
2	Hose
3	Nozzle x3
4	User Guide
5	Quick Start Guide

02 Device Overview



A Blow Dryer

B Handle

C ON / OFF / Pause

D Heating button

E Wind speed setting knob

F Negative ion indicator

G Heating indicator

H Wind speed setting indicator

I Hose

J Hose handle

K Ultra-wide nozzle

L High-speed narrow nozzle

M Elbow nozzle

N Front filter cover

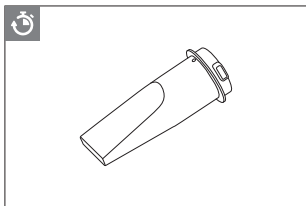
O Rear filter cover

P Internal filter holder

Q External foam filter

R Internal foam filter

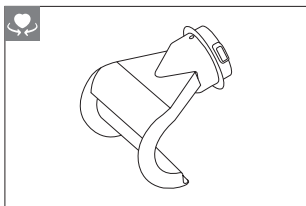
03 Nozzles



High-speed narrow nozzle

Fast drying

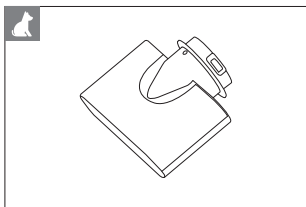
This high-speed narrow nozzle produces a strong and concentrated airflow that can quickly and accurately blow away moisture from a pet's body, even when they have long, thick, and dense hair. Additionally, it can help to style the fur for a well-groomed appearance.



Elbow nozzle

Gentle drying

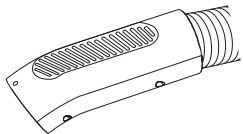
The elbow nozzle with 'Coanda Effect' protects your pet's skin from direct exposure to hot air and prevents scalding, while also smoothing the pet's hair for a shiny and neat finish.



Ultra-wide nozzle

Whole-body drying

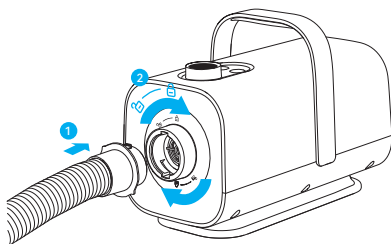
The 100mm ultra-wide air outlet delivers powerful and concentrated air flow, which is ideal for drying long, thick, and dense coat on your pet's entire body.



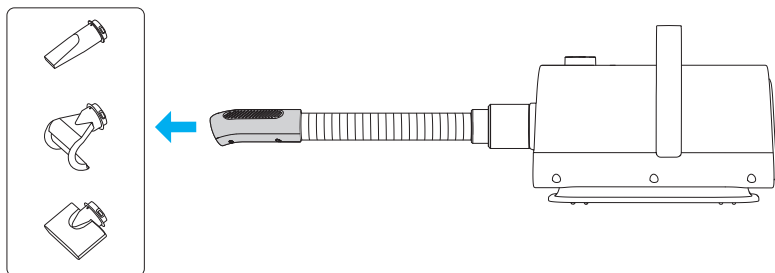
Note: For pets that are sensitive to noise and winds, the device can be used without nozzle to provide gentle drying with adjustable wind speed. It is ideal for drying the ears and cheeks of pets.

04 Installation

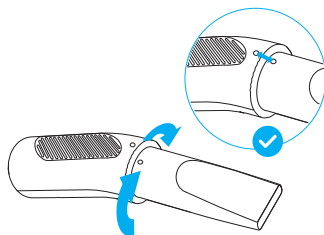
1 Install hose



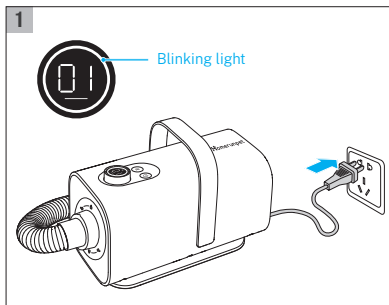
2 Choose nozzle



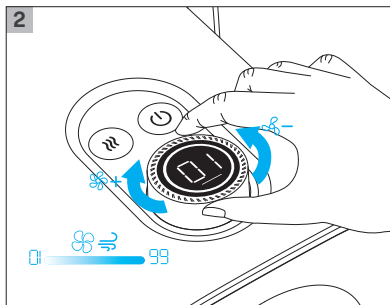
3 Install nozzle



05 User Guide

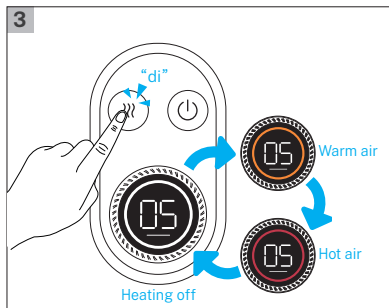


Connect the power.




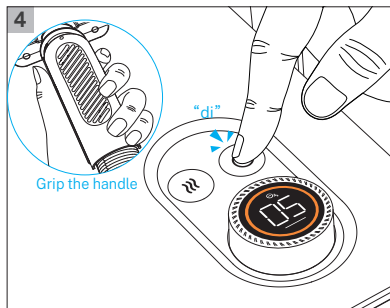
Adjust the wind speed (Preset).
To accelerate, twist the knob clockwise.
To slow down, twist it counter-clockwise.

*Fast adjustment is supported: Quickly twist the knob.

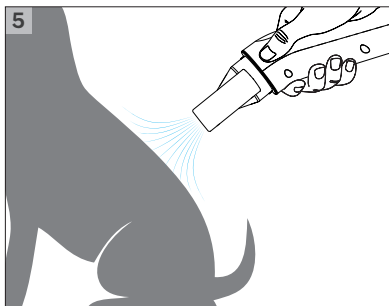


Adjust the temperature (Preset).
Two modes are available.

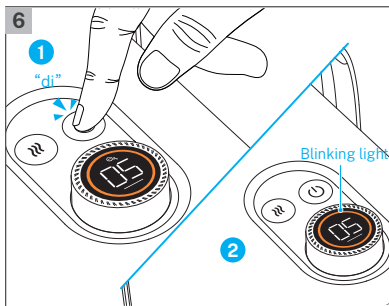
*Press  repeatedly to cycle between warm air mode, hot air mode and heating off.




Turn on the device.

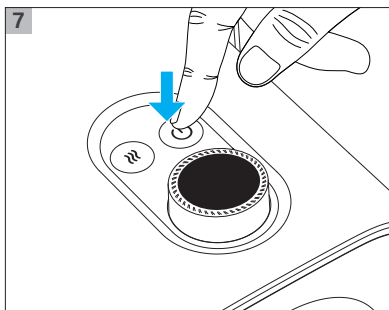


5
Blow dry pet hair.
Select the nozzle that suits your needs.

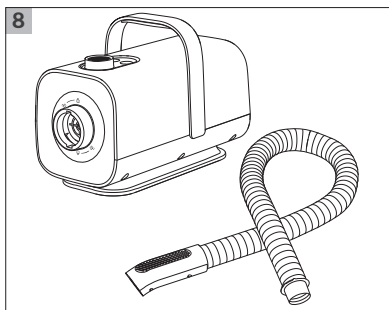


6
Pause the device.

*When the device is in pause state, you can adjust the wind speed or heating settings as needed. Press  to restart the device.

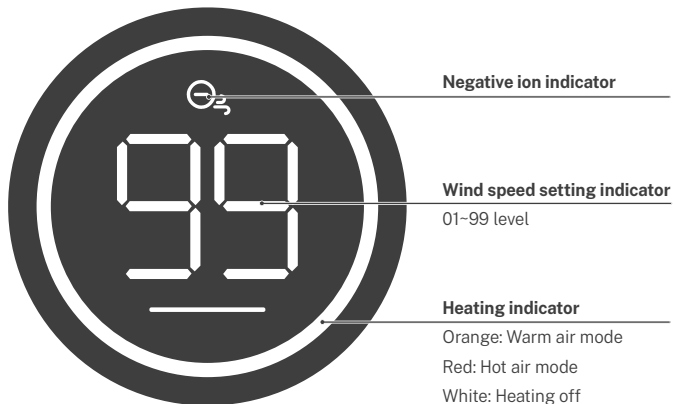


7
Long press to turn off the device.



8
Unplug the power. Arrange the nozzles and components after use.

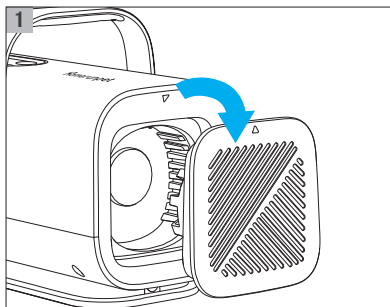
06 Knob Display Screen



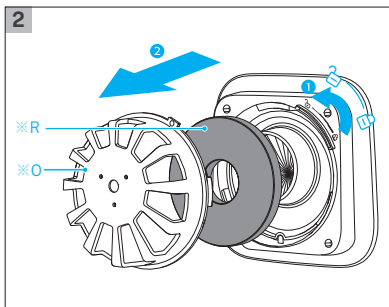
Device status	Knob display status
Power on	The white indicator light will flash, and the screen will display "01".
Pause	The indicator light will flash to show the current mode, while the negative ion indicator will be off.
Increase/Decrease wind speed	The current wind speed setting will be displayed, with a range from 01 to 99 settings.
Switch to warm air mode	The yellow indicator light will turn on.
Switch to hot air mode	The red indicator light will turn on.
Switch off heating	The white indicator light will turn on.

*Negative ion feature automatically turns on when the blow drying starts and turns off when the blow drying stops.

07 Cleaning



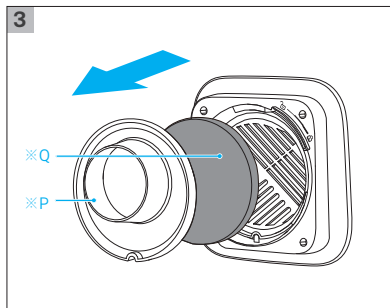
Disconnect the power supply, and remove the front filter cover.



Unlock the rear filter cover.

*R: Internal foam filter

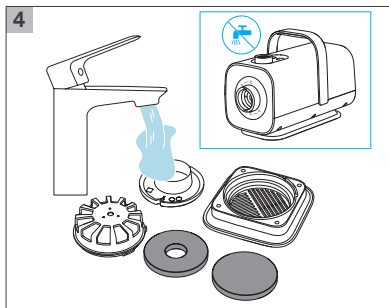
*O: Rear filter cover



Remove the internal filter holder.

*Q: External foam filter

*P: Internal filter holder



Flush the parts.

*To ensure the health of your pets, it is recommended to regularly clean the filter parts and blow drying parts. Disconnect the power supply before cleaning. Do NOT wash the main unit with water. Instead, wipe it with a cloth.

*To prevent electric shock or damage to the device, it is recommended to dry the filter parts and foam filters in a cool place before installation.

08 Troubleshooting

Trouble	Troubleshooting steps
Device not responding	<ul style="list-style-type: none">• Unplug the device. Reconnect it to power and restart in 10s;• Check whether the socket is powered;• Check if there is any damage in the power plug and power cord;
Unable to adjust wind speed	<ul style="list-style-type: none">• Unplug the device. Reconnect it to power and restart in 10s;• Check if you have turned on the device by pressing the On / Off button;• Check if you have adjusted the wind speed by turning the setting button counter-clockwise;
No air coming out after the device is turned on	<ul style="list-style-type: none">• Unplug the device. Reconnect it to power and restart in 10s;• Check if you have adjusted the wind speed or turned on the blow dryer;• Check for blockage in the air outlet and nozzle;
No hot air coming out	<ul style="list-style-type: none">• No hot air coming out;• Check if you have adjusted the heating setting;
Low wind speed	<ul style="list-style-type: none">• Unplug the device. Reconnect it to power and restart in 10s;• Increase the wind speed;• Check for blockage in the air outlet / nozzle / fliter;• Check for excessive air leakage in the hose, hose connector, or nozzle connector;
Low outlet air temperature	<ul style="list-style-type: none">• Unplug the device. Reconnect it to power and restart in 10s;• Increase the heating setting;• Check if the temperature is too low;• Check if the voltage is to low;
Trouble code E1 or E2	<ul style="list-style-type: none">• Unplug the device. Reconnect it to power and restart in 10s;
Excessive air leakage	<ul style="list-style-type: none">• Check if both ends of the hose are tightened;• Check for damage in hose, hose connector, or nozzle connector;• Check if the nozzle connector and the device outlet connector are installed according to the markings.
Significant noise or unusual sound	<ul style="list-style-type: none">• Check if the filter cotton and the air inlet assembly are in place;• Check if any foreign objects have been sucked into the device;• Check if the air inlet and outlet are blocked;

Note: In the case where the above troubleshooting does not resolve your issue, please contact our Customer Support for help.

* Customer Support by Regions

United States

Monday - Friday, 9AM - 5PM (CST)

 +1-888-509-3676

 contact@homerunpet.com

 Homerunpet

Japan

(Supported by local agency)

Monday - Friday, 10AM - 6PM (GMT+9)

 @homerunpet_jp

 +81-03-5213-4641

 support.japan@homerunpet.com

 Homerunpet Japan

Taiwan, Hong Kong and Macao of China

(Supported by local agency)

Monday - Friday, 9AM - 6PM (GMT+8)

 @homerunpet_tw

 +886-04-2233-7060

 hi@ihomerunpet.com

 霍曼Taiwan

Other Countries and Regions

 contact@homerunpet.com

 Homerunpet

09 Product Specifications

Homerunpet Pet Blow Dryer

Model: PD10

Rated Voltage: 120V~

Rated Frequency: 60 Hz

Rated Power: 1800W (Max)

Net Weight: 4.8kg

Gross Weight: 6.2kg

Product Size: 340×180×245mm

Material: ABS, PP

Color: White

Suitable For: Cat, Dog

10 Warranty

Thank you for choosing Homerunpet Pet Blow Dryer. Please read the instructions below carefully before using: Homerunpet offers a one-year warranty from the date of original purchase and Homerunpet requires presentation of the original proof of purchase to confirm the date. Product replacements and repaired parts can be warranted given that they are valid and unexpired according to the original warranty. This warranty applies only under the circumstance of normal operation that the appliance is intended to. Any damage caused by negligence, accident, misuse or any other reasons beyond Homerunpet's reasonable control including but not limited to: failure to follow the product instructions or service manual, maintenance that is undue or not in a timely manner, connection to improper power supply, unauthorized product modification, fire, lightning, flood or other force majeure matters, is not covered by this warranty. Any maintenance must be implemented as per the product instructions herein. The motor is factory sealed, and any modification will invalidate this warranty immediately. For after-sales service and more information, please contact: contact@homerunpet.com.

Designed and Manufactured By:
Shenzhen Qianhai Homerun Smart Technology Co., Ltd.
Gang Wan Du Hui Building, No. 167 Gang Wan Road,
Huangpu District, Guangzhou, China

MADE IN CHINA

MORE INFORMATION
HOMERUNPET.COM

