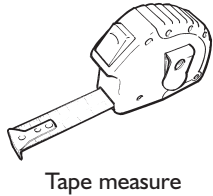


## FITTING INSTRUCTIONS - NOTICE DE POSE - MONTAGE HANDLEIDING - MONTAGEANLEITUNG ISTRUZIONI DI MONTAGGIO - INSTUCCIONES DE MONTAJE

### Tools Required



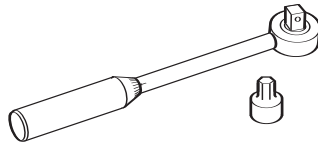
Tape measure



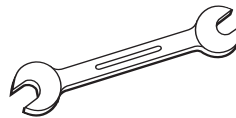
Posidrive screwdriver



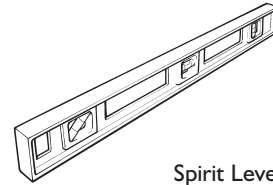
Allen key 5mm



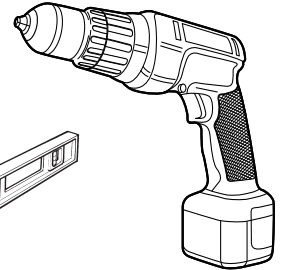
Torque wrench and 6mm bit



Spanner 13mm

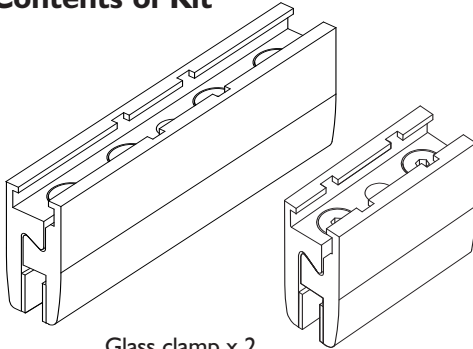


Spirit Level

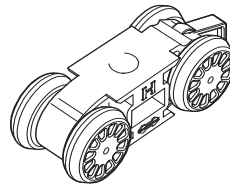


Drill

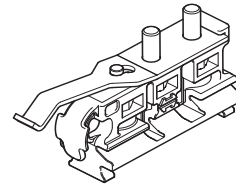
### Contents of Kit



Glass clamp x 2  
(Type dependent upon weight capacity)



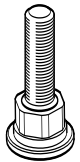
Wheel carriage x 2



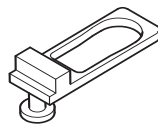
Clip stop x 2



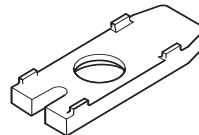
M8 Nut x 2



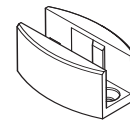
Strap bolt x 2



Height adjustment plate x 2



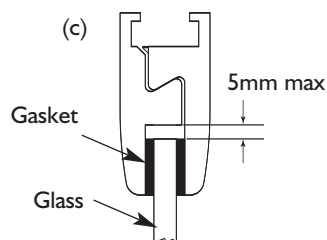
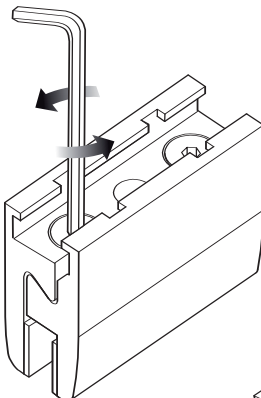
Lock plate x 2



Floor guide x 1

### 1 Fitting clamps

(a) Unscrew to loosen clamp



(c)

Gasket

Glass

5mm max

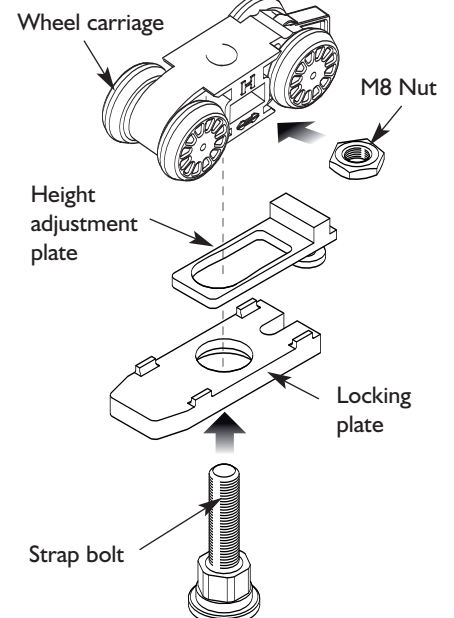
(d)

25Nm

50

(b) Clean glass  
(c) Set clamp to glass  
(d) Finger tighten ALL screws  
Torque outer then inner screws

### 2 Assemble hanger components



Wheel carriage

Height adjustment plate

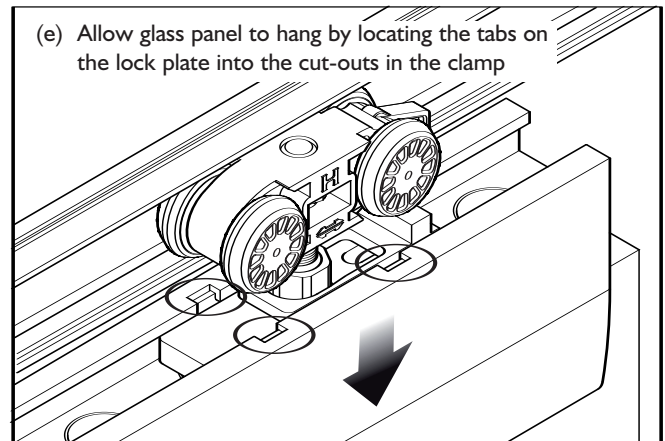
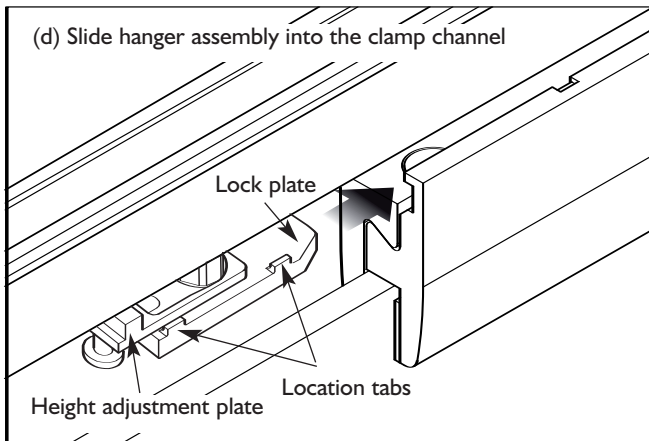
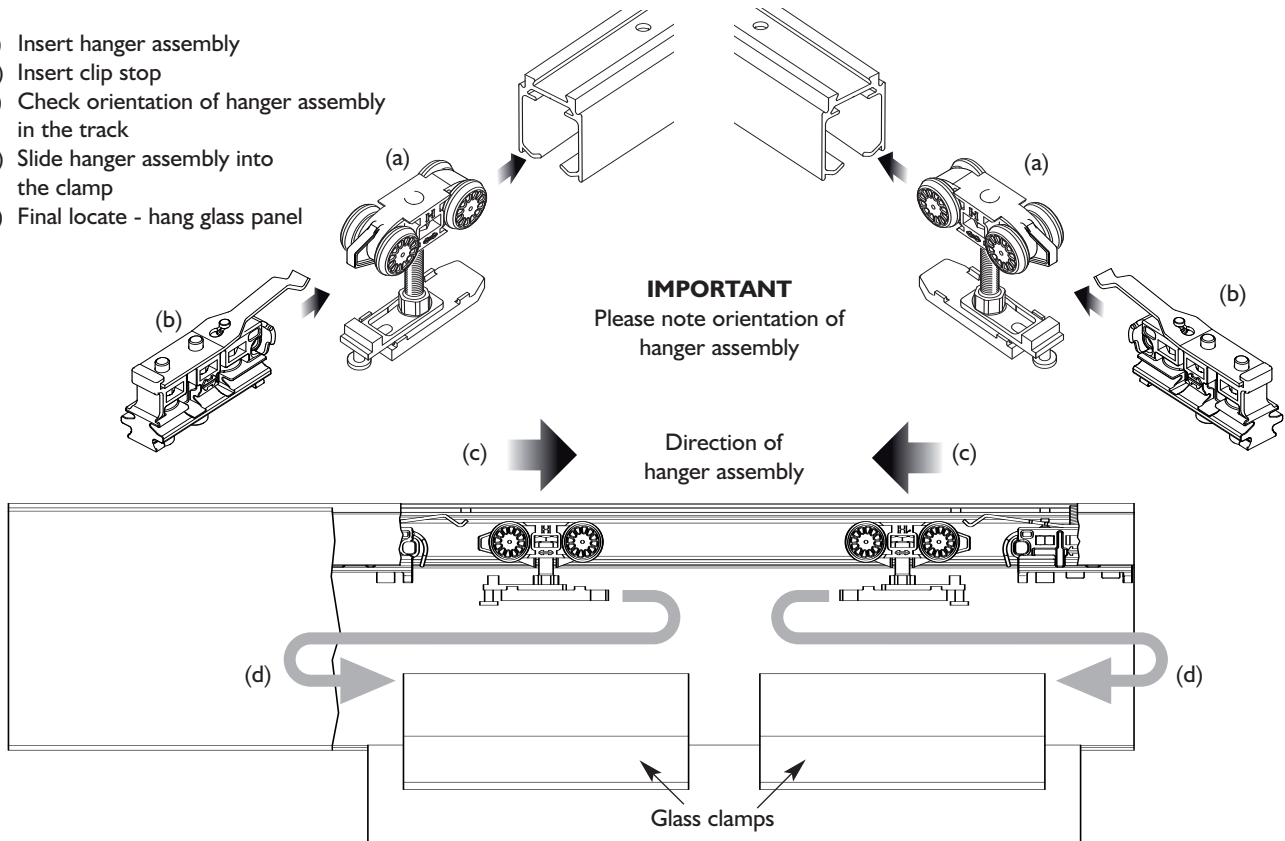
M8 Nut

Locking plate

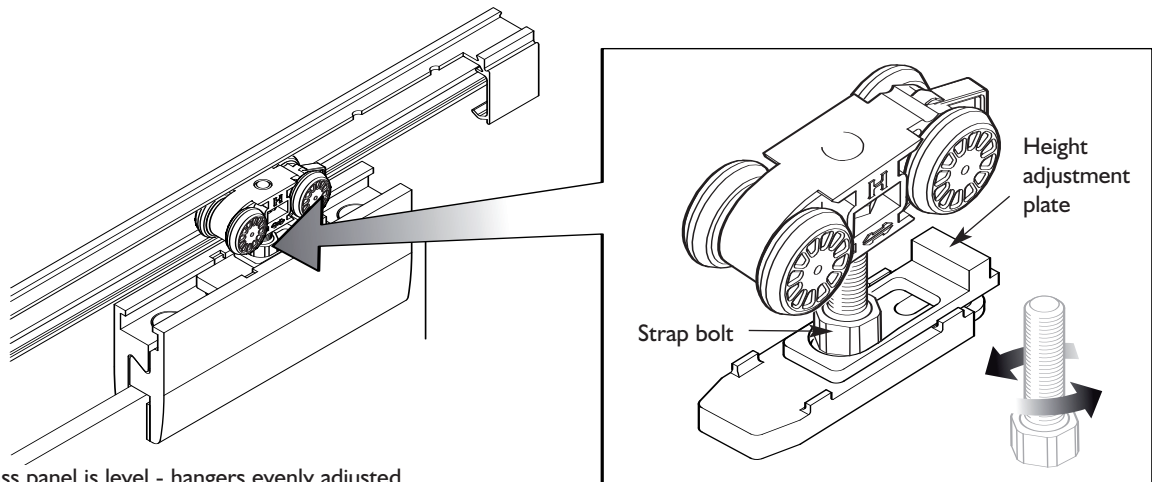
Strap bolt

### 3 Hang glass door

- (a) Insert hanger assembly
- (b) Insert clip stop
- (c) Check orientation of hanger assembly in the track
- (d) Slide hanger assembly into the clamp
- (e) Final locate - hang glass panel

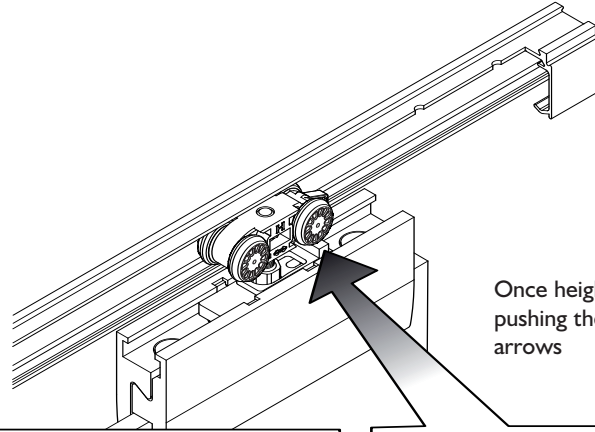


### 4 Height adjustment - Adjust strap bolt to set door height

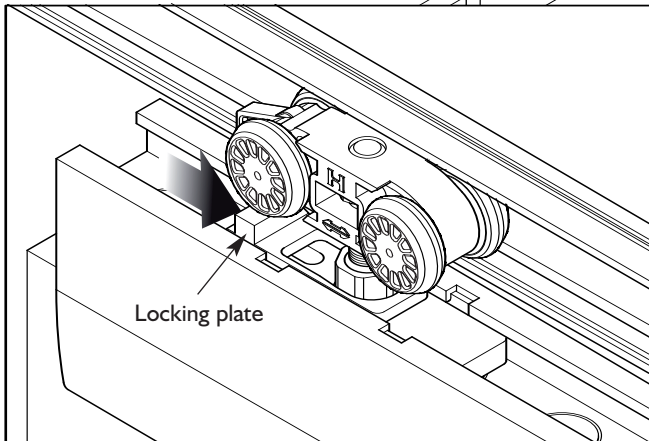


Ensure glass panel is level - hangers evenly adjusted  
NB - minimum/maximum adjustment possible is shown in diagram 7

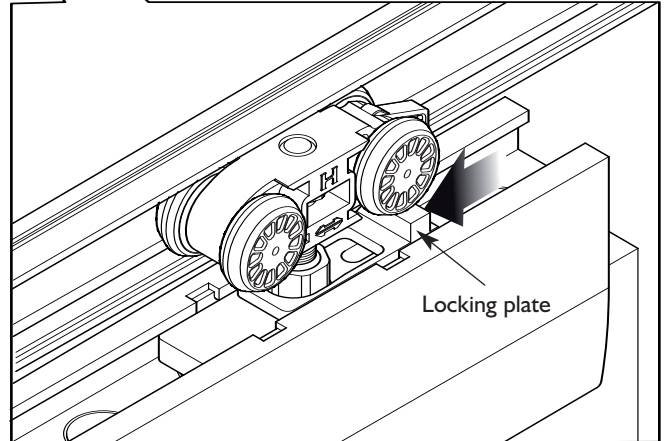
## 5 Set door height



Once height is set - lock hangers into position by pushing the locking plates in the direction of the arrows



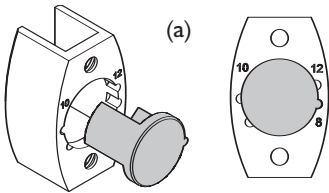
Locking plate



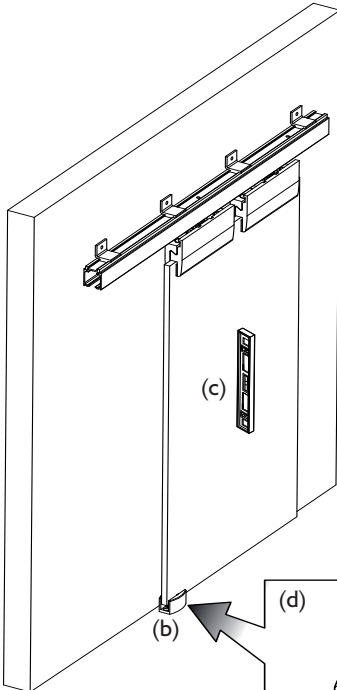
Locking plate

## 6 Set Floor Guide

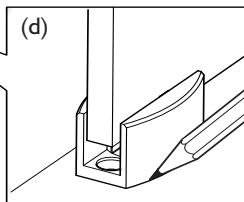
- (a) Set floor guide for glass door thickness, 8, 10 or 12 mm
- (b) Position floor guide
- (c) Check level of panel with spirit level
- (d) Mark position of guide
- (e) Check proposed travel of door (when fully open the door is still in the guide)
- (f) Re-position glass door
- (g) Secure guide with screws
- (h) Slide panel back into floor guide
- (i) Secure retaining clip stop



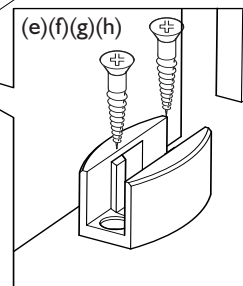
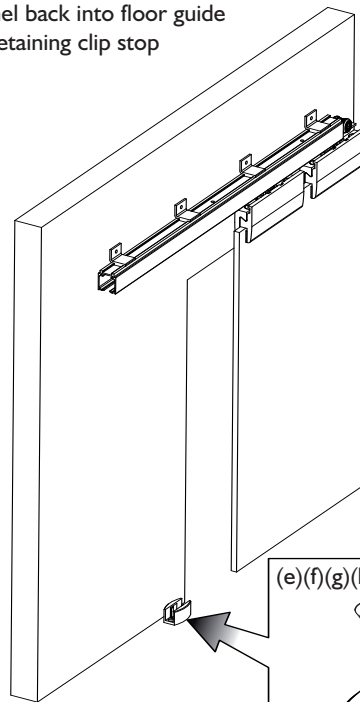
(a)



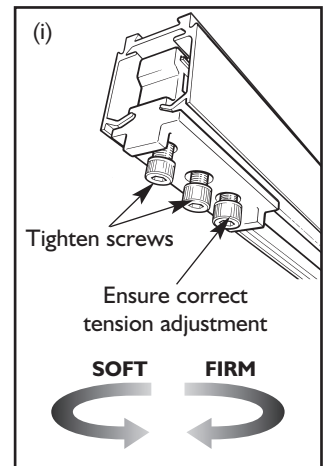
(b)



(d)



(e)(f)(g)(h)



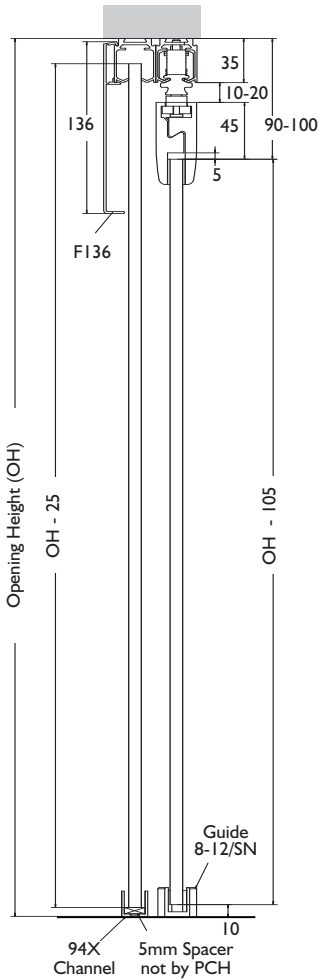
(i)

Tighten screws

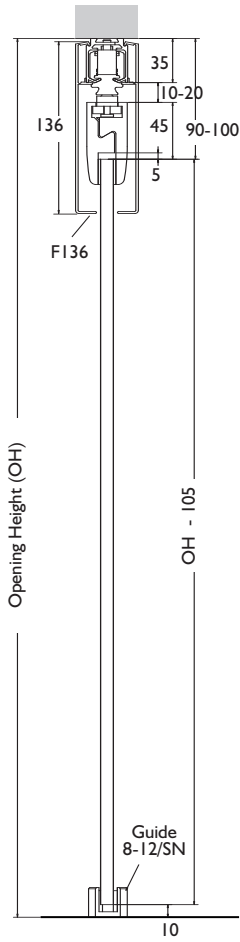
Ensure correct tension adjustment

SOFT FIRM

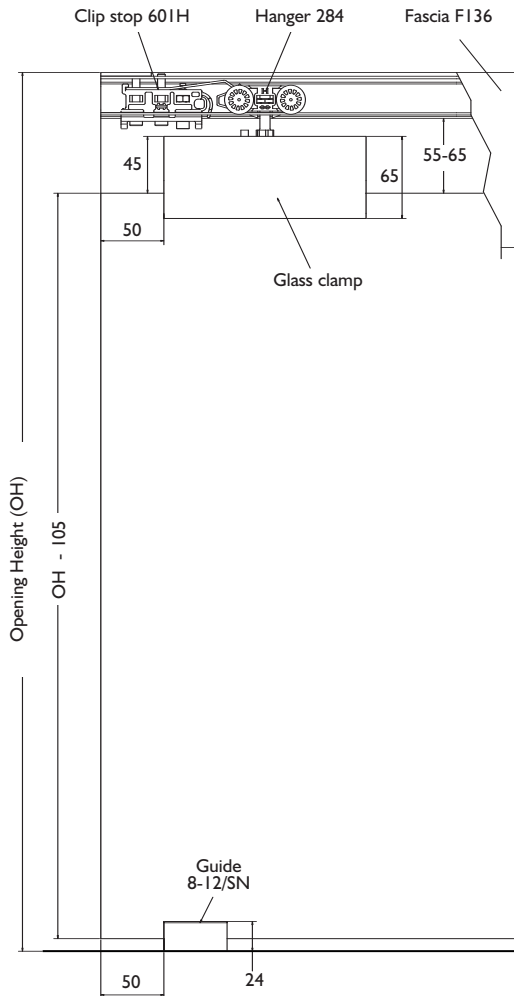
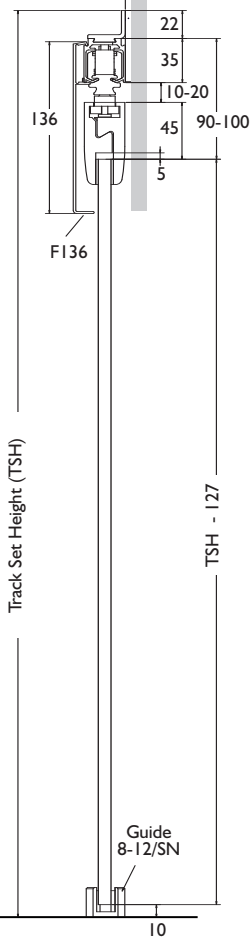
**Fixed Panel**  
for 10mm glass only



**Soffit fix**



**Wall fix**  
5mm Spacer  
not by PCH



Fixed panel height = Opening height (OH) -25  
Sliding panel height = Opening height (OH) -105

Sliding panel height = TSH -127

**REFER TO HUSKY INSTRUCTIONS FOR GENERAL TRACK INSTALLATION DETAILS**

(All dimensions in mm)