



Shutter Slide

Straight sliding hardware for the movement of manual and automatic louvre panels



SHUTTER SLIDE

Shutter Slide

Features and Benefits

- Single, simultaneous action or telescopic variants
- Smooth, quiet and discreet
- Caters for wooden and metal louvre panels
- Highly corrosion resistant and hard wearing (manufactured from marine grade 316, A4, stainless steel)
- Components tested to 100,000 cycles
- Manual or automatic operation (24V and 230V options)
- State of the art drive technology
- Automatic operation by remote control or building management system
-
- Range of guide options for every possibility
- Indicative wind load calculations provided on request



P C Henderson's Shutter Slide is a high performing straight sliding louvre system, suitable for residential

can cater for wooden and metal external louvre panels weighing up to 120kg.

Offering a variety of inspiring and functional design possibilities, the system is available in; single panel, simultaneous action panel or telescopic panel variants. All systems are available in either manual or automatic operation.

energy from the sun, thermal insulation, light reduction,

ability to enhance a facades' architectural aesthetic appearance.

Using proven technology from our popular Soltaire system, Shutter Slide guarantees a smooth running system with

Manufactured from 316 marine grade stainless steel, hard wearing polymers and anodised aluminium, the system is extremely robust, highly corrosion resistant and developed to ensure a long lifespan.

Testing

Our Shutter Slide track system has been tested to 100,000 cycles, and meets BS EN 1527, BS EN 13659, BS EN 16005, and ISO 9001 standards.

Wind load testing should be carried out based on a projects individual requirements. P C Henderson can utilise in-house 3D CAD software to provide an indicative wind load calculation.

Shutter Slide

		Maximum Panel Weight	
		M	A
Single Panel		120kg	120kg
Simultaneous Action		120kg	60kg
Telescopic (2 Panels)		120kg	80kg
Telescopic (3 Panels)		120kg	60kg

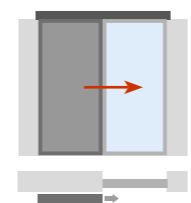
M Manual **A** Automatic

State of the Art Drive Technology

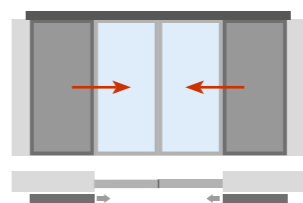
(24V or 230V) can be operated by the push of a button or remote control. Alternatively the motors can be wired into the central control panel of a building, allowing the louvre panels to be opened and closed via a central reception area or a building management system.

use of light, rain and wind sensors as well as timers to ensure they are always in their optimum position.

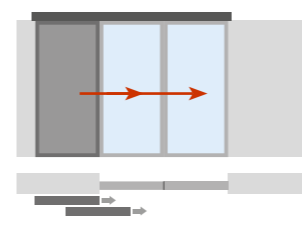
Single Panel



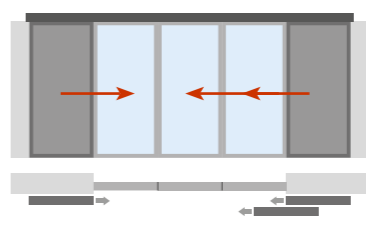
Simultaneous Action



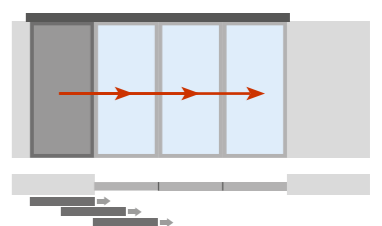
Telescopic (2)



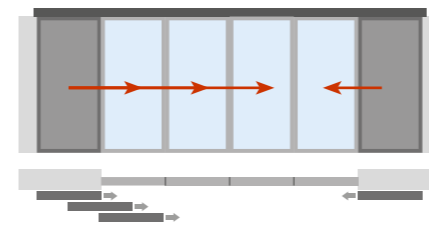
Telescopic (1 + 2)



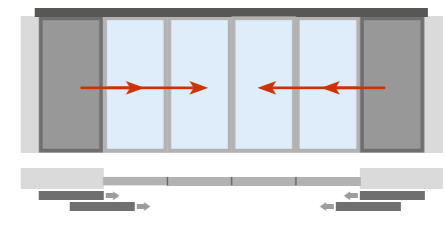
Telescopic (3)



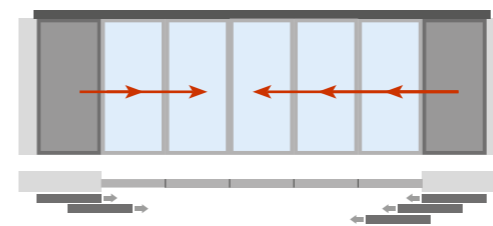
Telescopic (3 + 1)



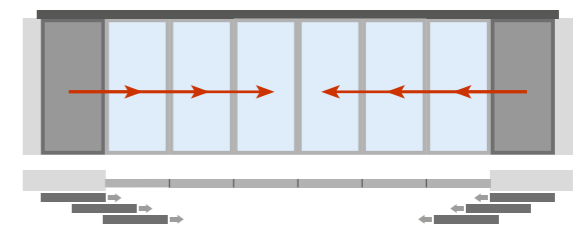
Telescopic (2 + 2)



Telescopic (2 + 3)



Telescopic (3 + 3)



Shutter Slide Single Panel

Shutter Slide Single Panel allows for the simple sliding movement of one louvre panel weighing up to 120kg. Available in a choice of either manual or automatic operation, the system is a beautiful addition to any building.

With a smooth anodised aluminium track, precision engineered hangers and a choice of fascia - the system is extremely smooth, quiet, rattle free and discreet.

The system can be combined with a state of the art drive unit for further sophistication, allowing the panel to be operated by a remote control or alternatively through a building control management system.

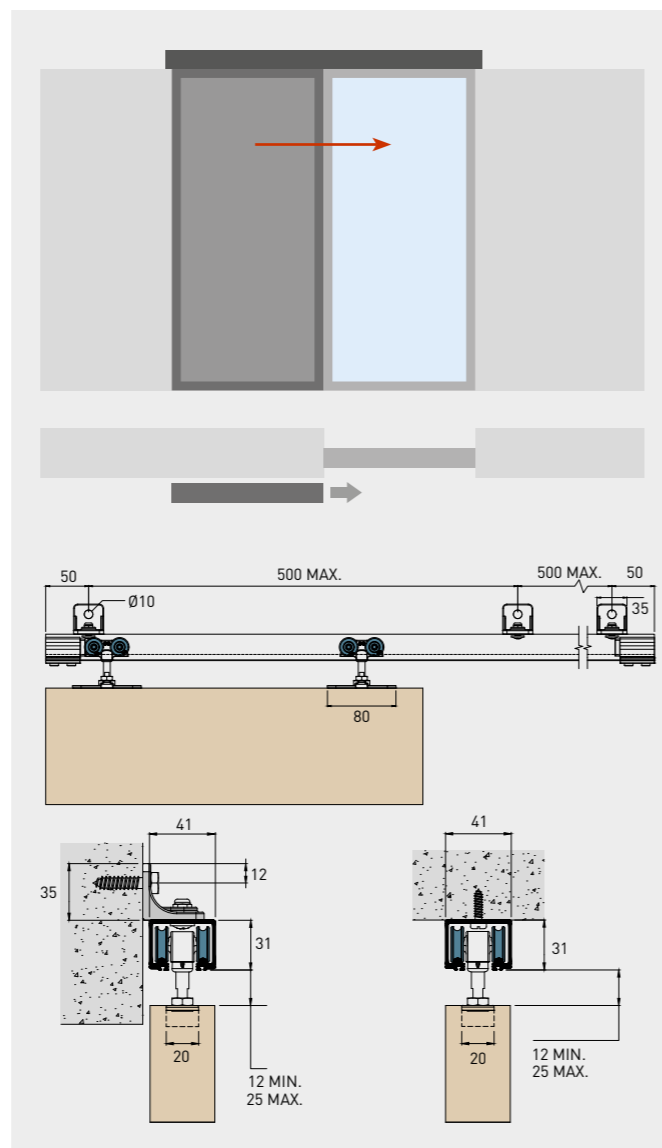


Single Panel | Manual M

Min. Panel Width	400mm
Max. Panel Height	3000mm
Panel Thickness Range	35 - 50mm
Max. Track Length	6000mm
Max. Panel Weight	120kg

Single Panel | Automatic A

Min. Panel Width	400mm
Max. Panel Height	3000mm
Panel Thickness Range	35 - 50mm
Max. Track Length	6000mm
Max. Panel Weight	120 kg

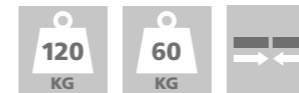


Shutter Slide Simultaneous Action

Shutter Slide Simultaneous Action allows two bi-parting louvre panels to open and close simultaneously. The eye catching system can cater for manual panels weighing up to 120kg each and automated panels weighing up to 60kg each.

system but can cater for two louvre panels to cover a larger opening width.

When used manually, the user simply pulls one panel and the other will open or close simultaneously. Alternatively the system can be combined with one of our state of the art motors for automatic simultaneous operation.

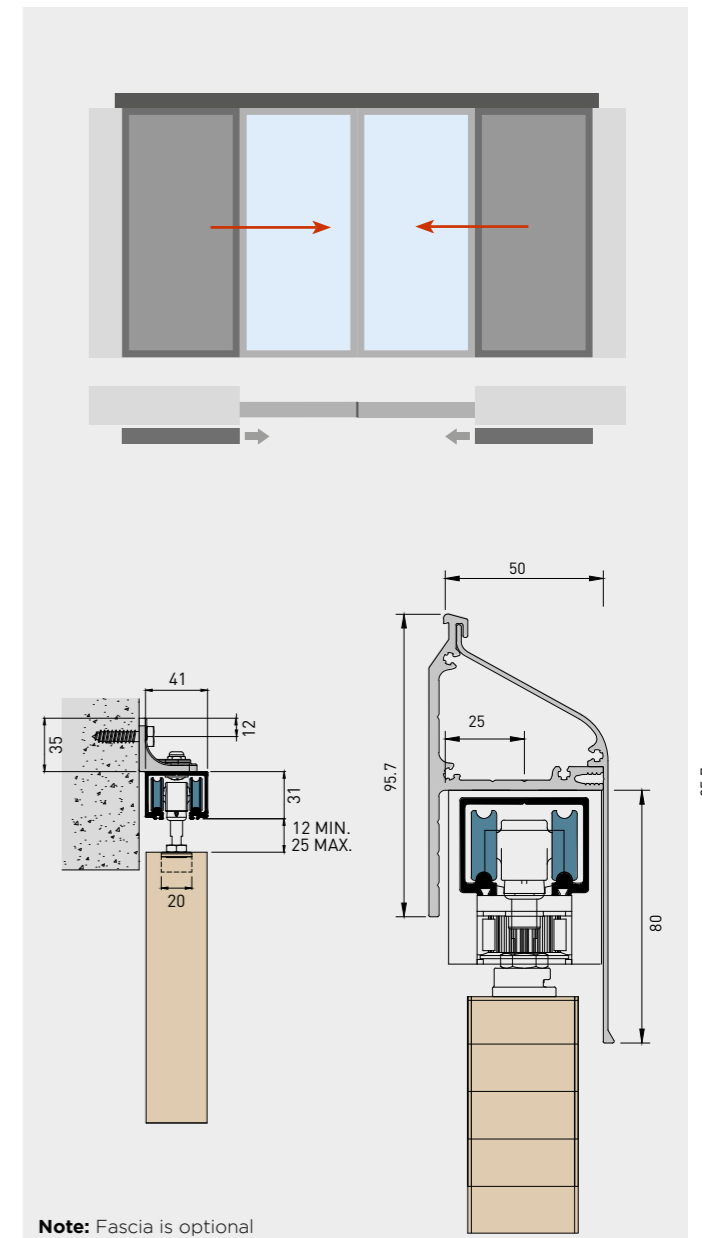


Simultaneous Action | Manual M

Min. Panel Width	400mm
Max. Panel Height	3000mm
Panel Thickness Range	35 - 50mm
Max. Track Length	6000mm
Max. Panel Weight	120 kg

Simultaneous Action | Automatic A

Min. Panel Width	400mm
Max. Panel Height	3000mm
Panel Thickness Range	35 - 50mm
Max. Track Length	6000mm
Max. Panel Weight	60 kg



Note: Fascia is optional

Shutter Slide

Telescopic

Shutter Slide Telescopic allows multiple panels to be linked together via a toothed belt and pulley system so that they can glide across the track simultaneously. The system is ideal for multiple rows of windows or doors which require a louvre system.

Panels can weigh up to 120kg when used on a manual system and 80kg or 60kg when used as an automated system - depending if two or three panels are being used. Larger formations of telescopic panels can be created as long as there is no more than two or three panels at each side (see diagrams).



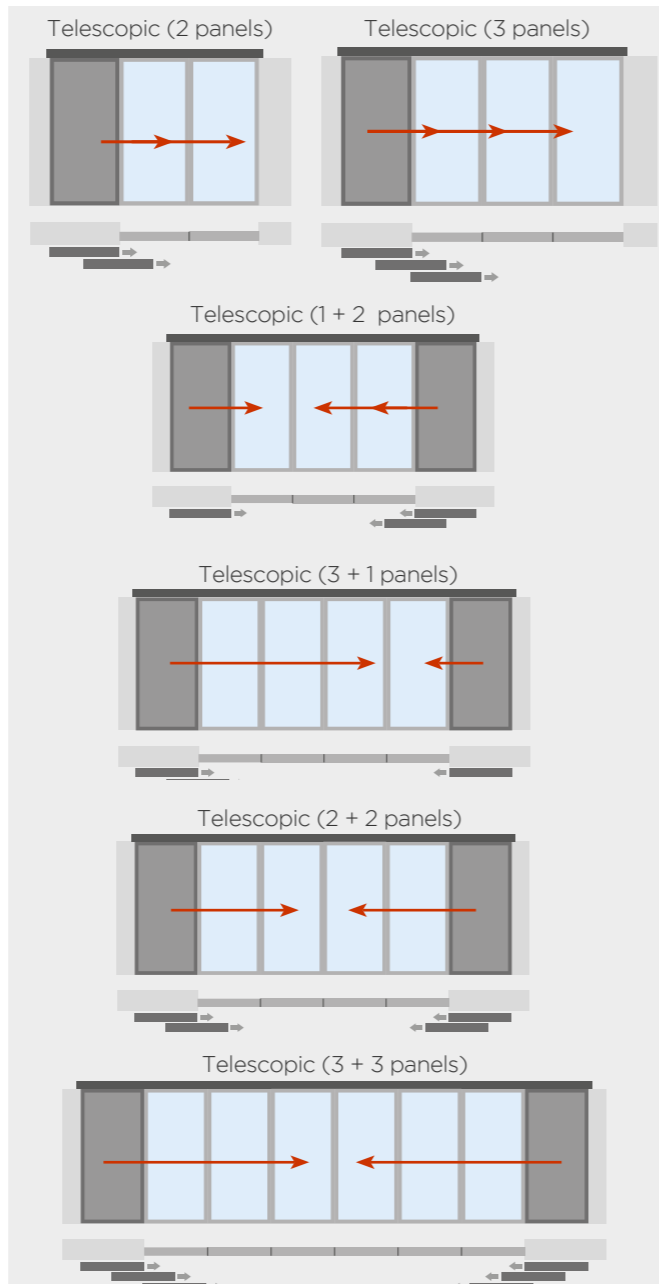
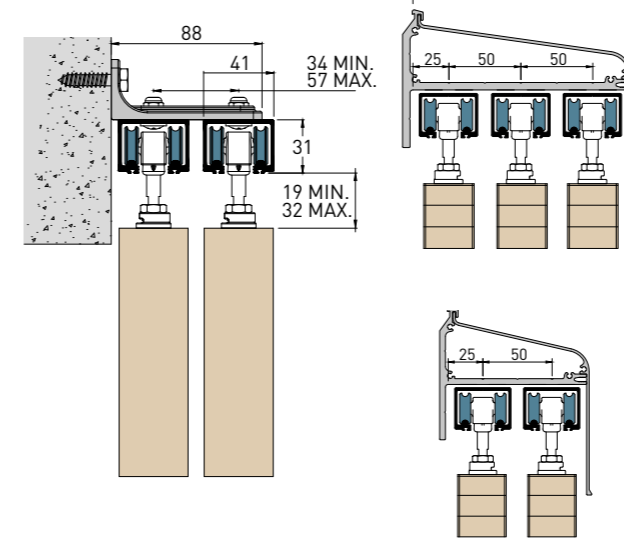
Telescopic | Manual M

Min. Panel Width	400mm
Max. Panel Height	3000mm
Panel Thickness Range	35 - 47mm
Max. Track Length	6000mm
Max. Panel Weight (2 doors)	120kg
Max. Panel Weight (3 doors)	120kg

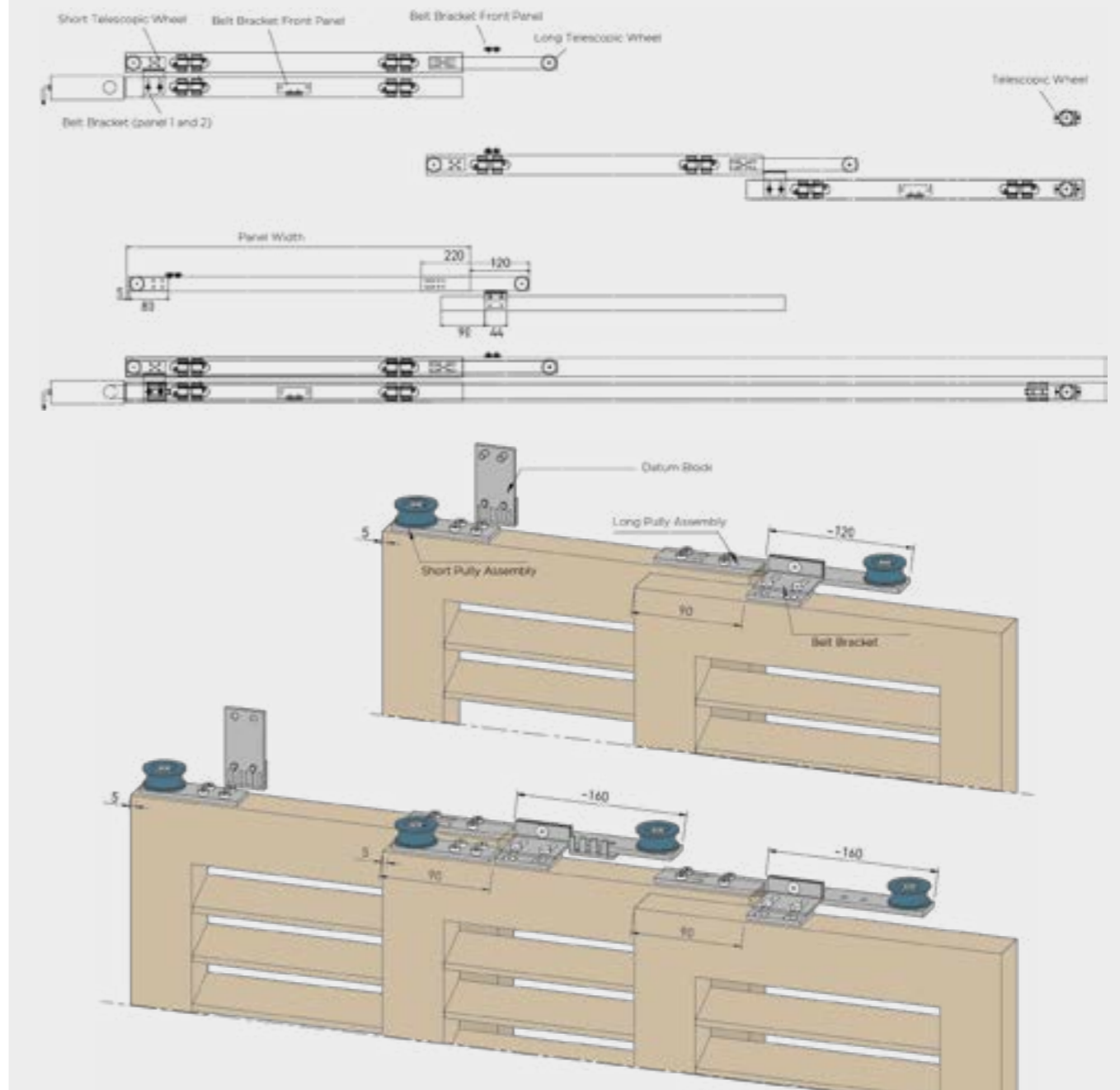
Telescopic | Automatic A 1 Motor*

Min. Panel Width	400mm
Max. Panel Height	3000mm
Panel Thickness Range	35 - 47mm
Max. Track Length	6000mm
Max. Panel Weight (2 doors)	80kg
Max. Panel Weight (3 doors)	60kg

*Note: P C Henderson recommends the system to be used via electric operation in order to ensure ease of use. Electric operation can be used for up to three panels, using one motor. Additional panels can be incorporated through the use of an extra motor.

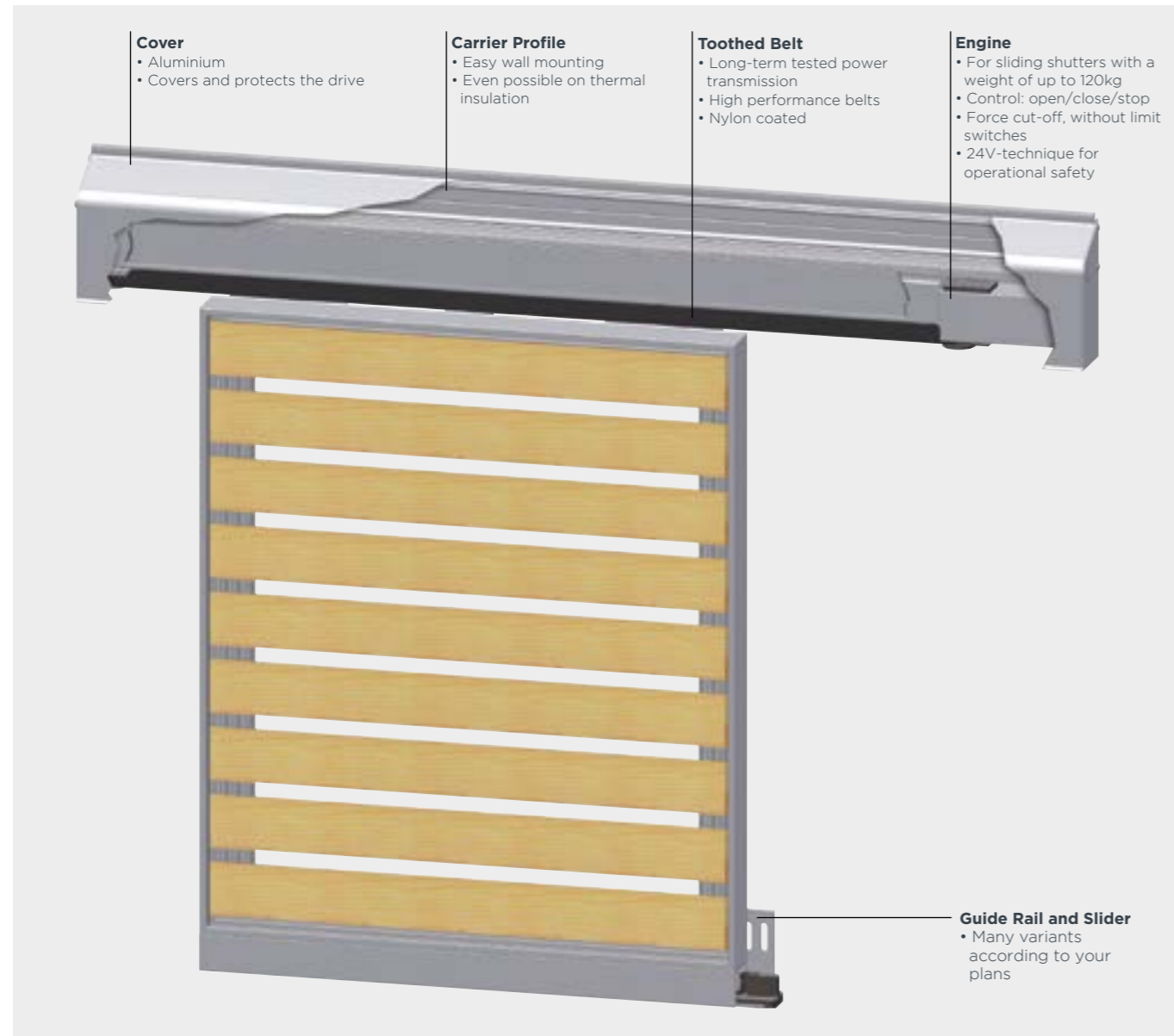


Telescopic Configurations



Shutter Slide

Overview of Components



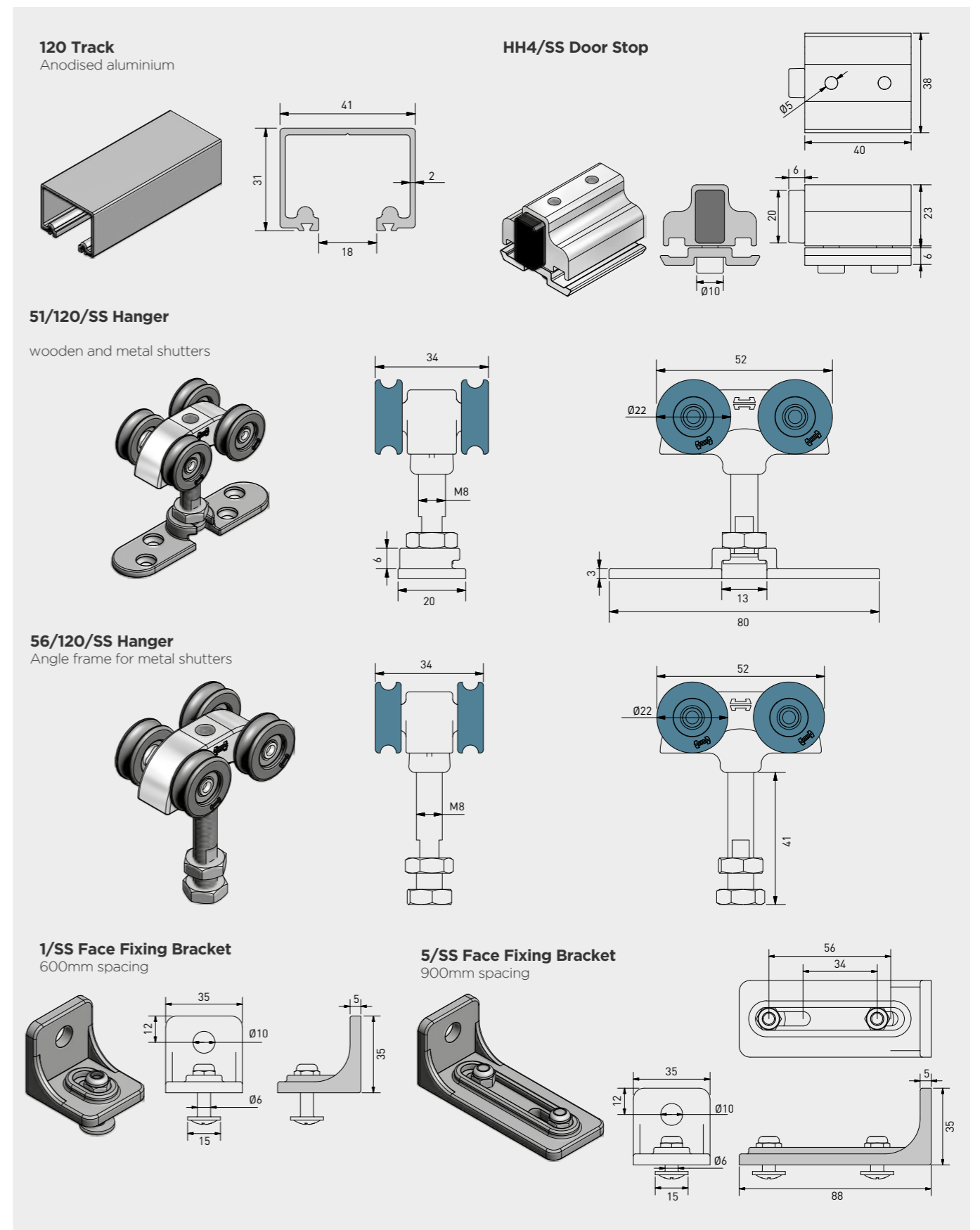
Motor

Available in 24V or 230V options our state of the art motors come complete with connection cable and belt. Available accessories include a wireless remote control, control panel, timers and sensors. The motor can be hidden behind one of our optional fascias for added discretion and protection. Speed is 0.2m/s .50 watt.



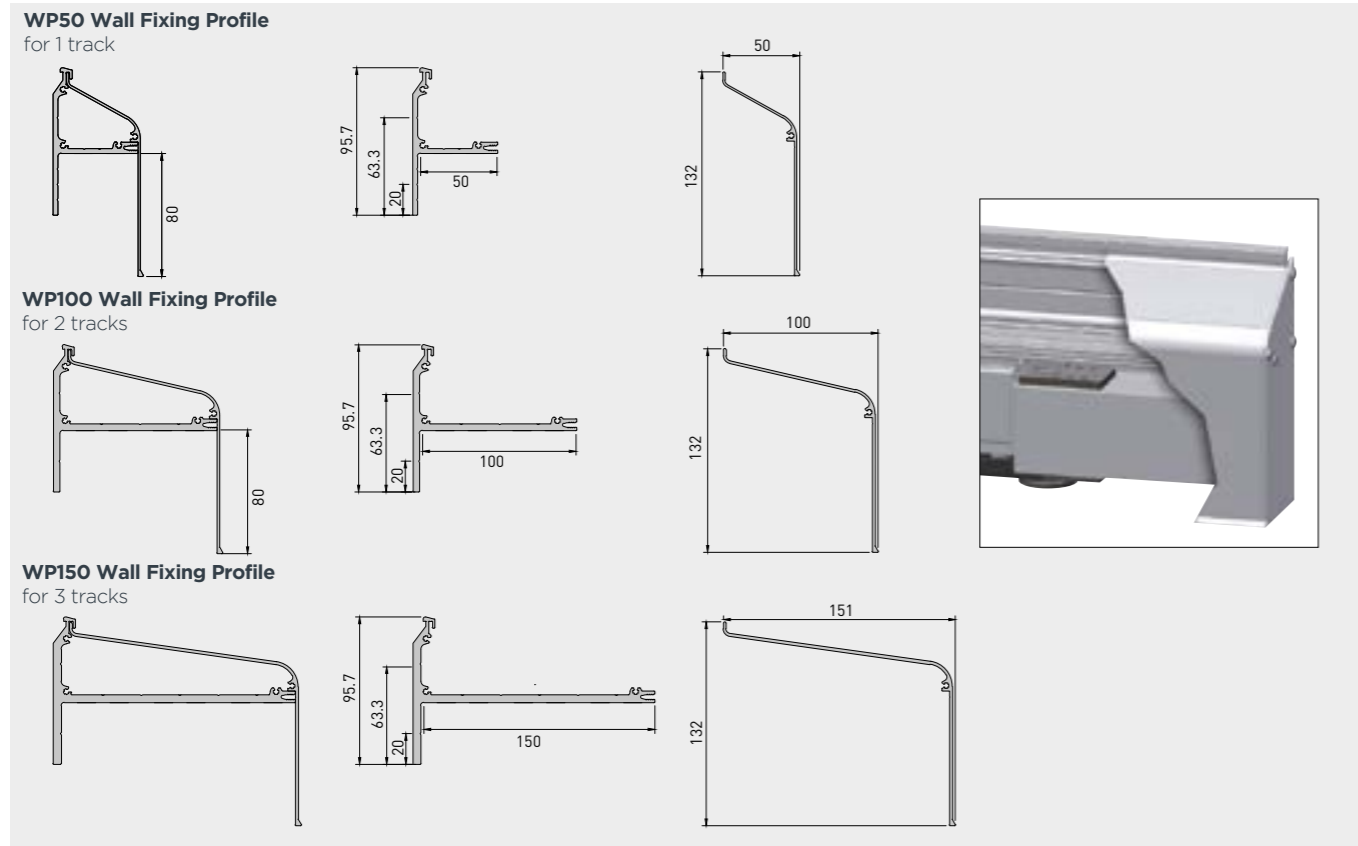
Shutter Slide

Soltaire Components

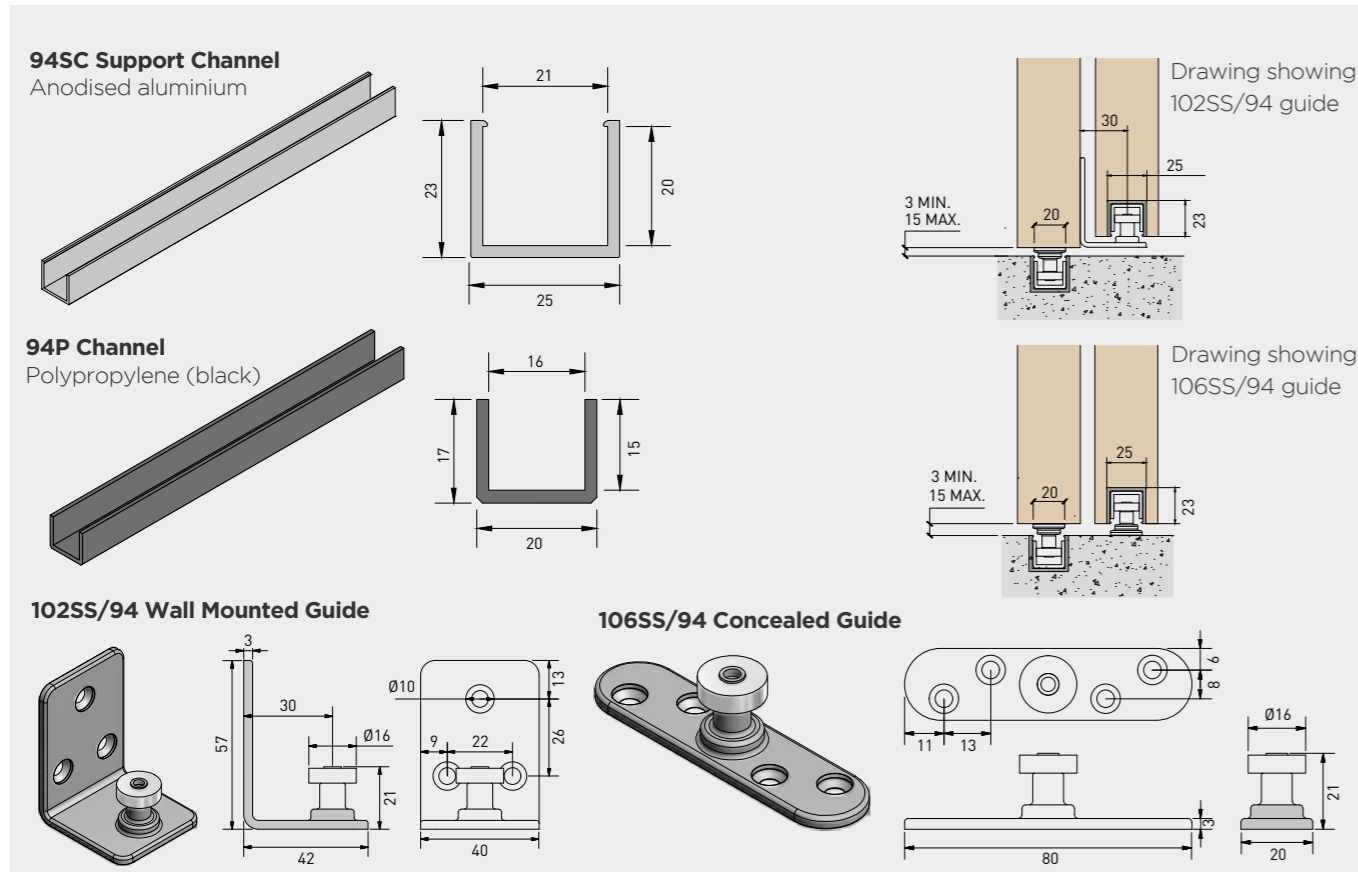


Shutter Slide

Wall Fixing Profile with Fascia & End Caps

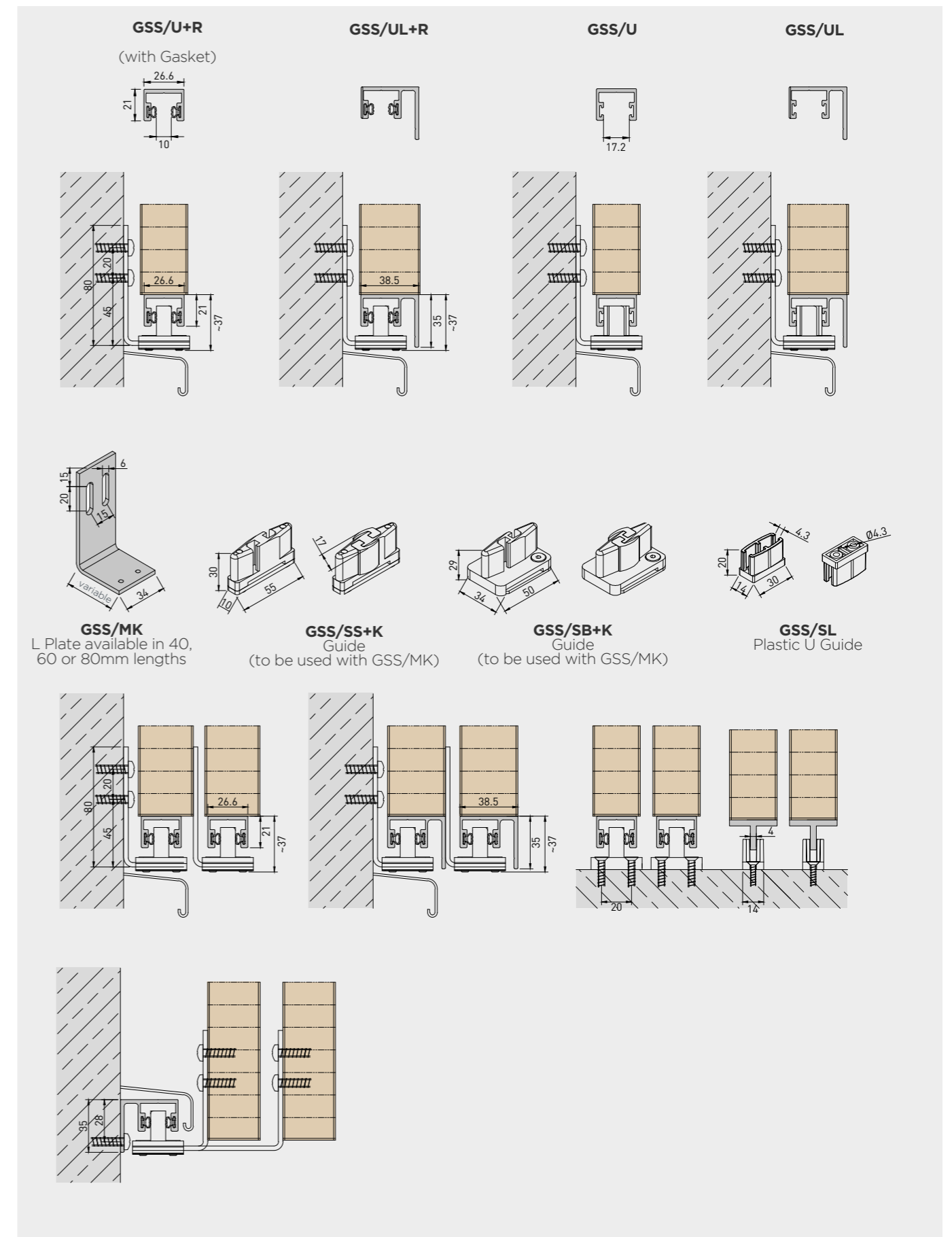


Accessories



Shutter Slide

Guides



Global leaders in the design and manufacture of hardware systems for sliding and folding doors

View our full product range at www.pchenderson.com



P C Henderson Limited, Durham Road, Bowburn,
Co. Durham, DH6 5NG, United Kingdom

HENDERSON

UK Sales

t: +44 (0) 191 377 7345
e: sales@pchenderson.com
w: www.pchenderson.com

Export Sales

t: +44 (0) 191 377 7346
e: international@pchenderson.com
w: export.pchenderson.com



Part of ASSA ABLOY

