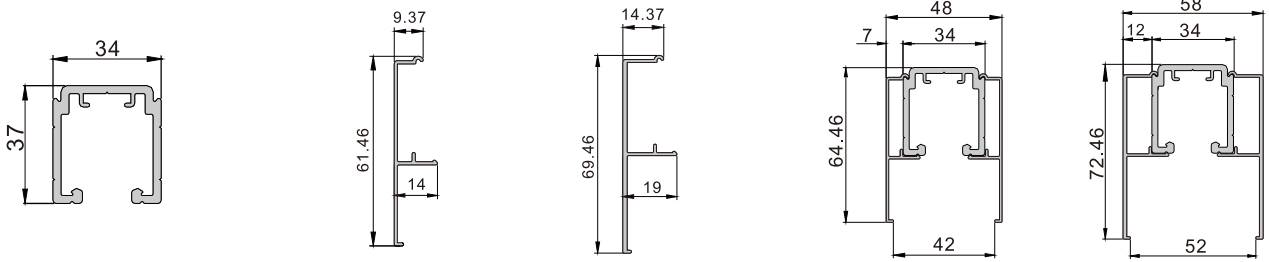
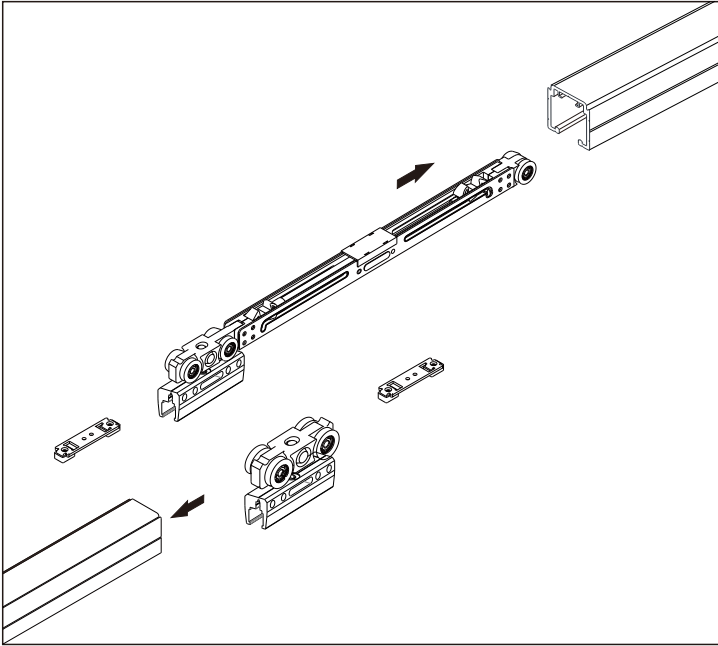


Installation of glass door

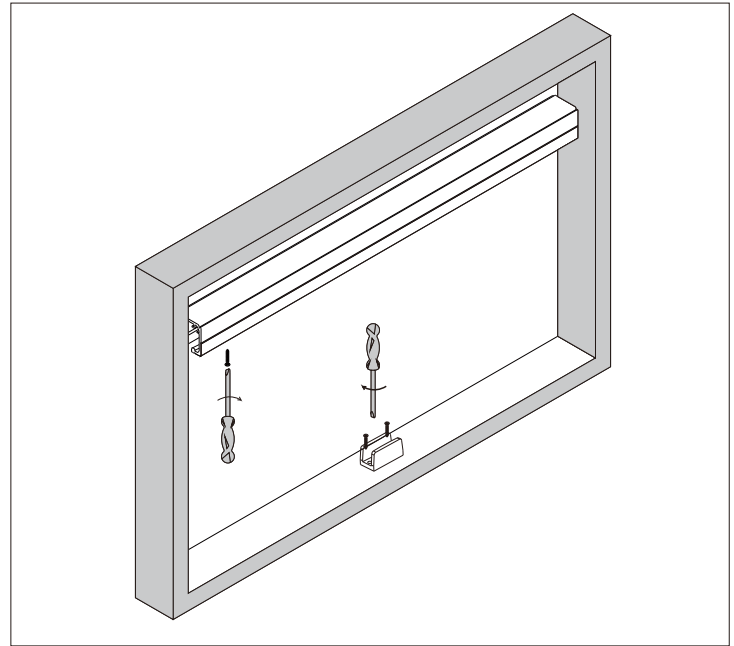


installation steps:

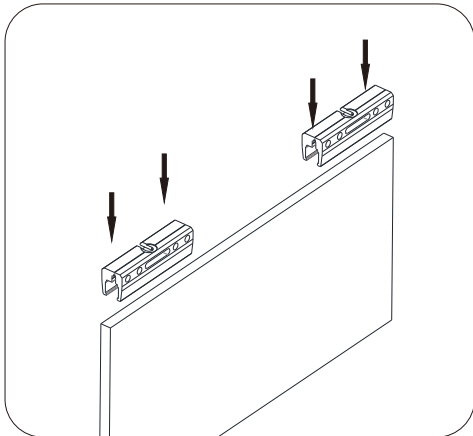
1 Install the upper pulley and cushion paddle



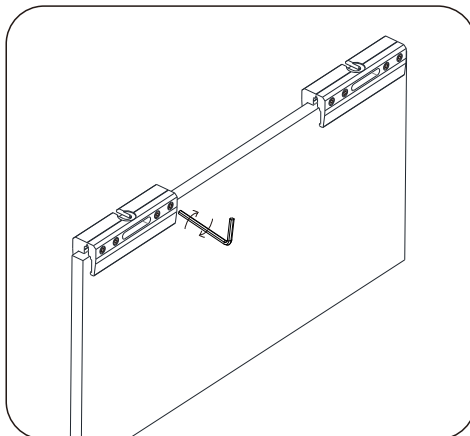
2 Install the upper pulley and cushion paddle.



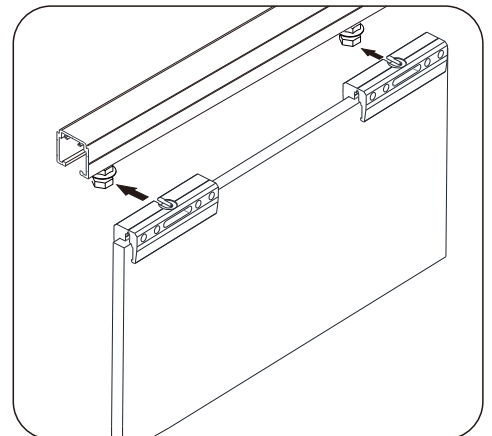
3 Installation size of bracket



4 Install bracket



5 Hang the door panel on



Installation parameter

Door height=Door hole height -75mm

