

MARATHON



Watch the Installation Video
pchenderson.com/marathon-installation



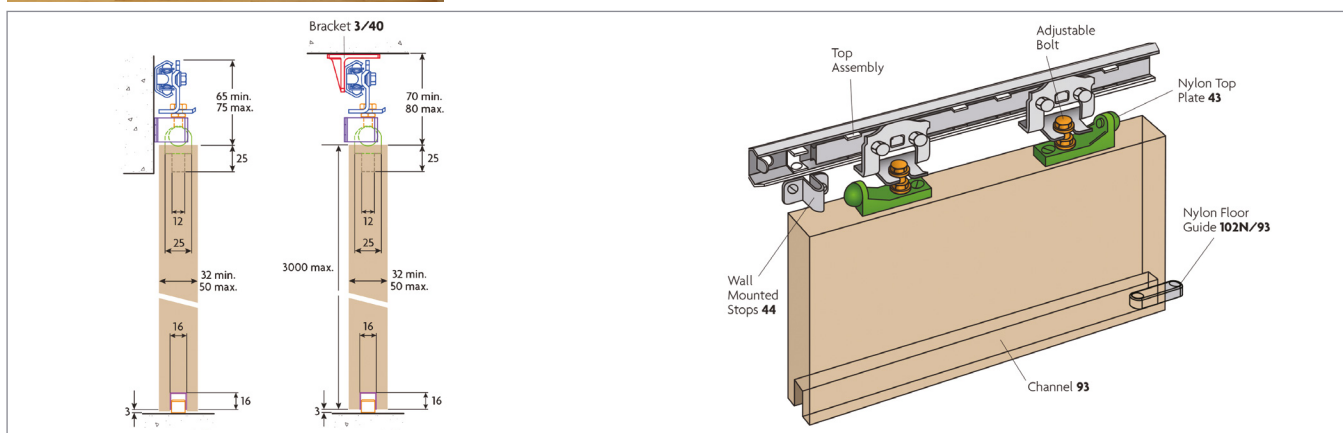
For sliding wooden and metal doors weighing up to 55kg and 90kg



When it comes to residential or commercial sliding doors and partitions, Marathon sliding door hardware is extremely reliable. Designed for wooden, wood framed and composite doors and featuring a one piece ball cage design, Marathon offers a smooth running system which can easily be adjusted. A self closing door kit can also be added to further complement the system (see accessories).

Available as the Marathon 55 for doors up to 55kg and Marathon 90 for doors up to 90kg, the system can handle door thickness's of between 32 - 50mm and door widths of up to 2500mm. For bi-parting doors - two kits should be purchased.

Please note that the track is unable to be cut down on this system.



Product Information

Product	Kit Order Code	No. of Doors	Track Length	Door Width Range	Door Thickness Range	Max. Door Weight
Marathon 55	J2	1	1219mm	400 - 750mm	32 - 50mm	55kg
	J3	1	1473mm	750 - 900mm	32 - 50mm	55kg
	J4	1	1702mm	900 - 1050mm	32 - 50mm	55kg
	J5	1	1981mm	1050 - 1200mm	32 - 50mm	55kg
	J6	1	2438mm	1200 - 1500mm	32 - 50mm	55kg
Marathon 90	S2	1	1219mm	400 - 750mm	32 - 50mm	90kg
	S3	1	1473mm	750 - 900mm	32 - 50mm	90kg
	S4	1	1702mm	900 - 1050mm	32 - 50mm	90kg
	S5	1	1981mm	1050 - 1200mm	32 - 50mm	90kg
	S6	1	2438mm	1200 - 1500mm	32 - 50mm	90kg
	S7	1	3048mm	1500 - 1800mm	32 - 50mm	90kg
	S8	1	3226mm	1800 - 2000mm	32 - 50mm	90kg
	S9	1	4420mm	2000 - 2500mm	32 - 50mm	90kg

Kit Contents

Component	Short Code
Aluminium Track (x 1)	-
Bottom Channel (x 1)	93S/****
Top Assembly (x 1)	-
Nylon Top Plates (x 2)	43
Wall Mounted Stops (x 2)	44
Nylon Floor Guide (x 1*)	102N/93

*2 nylon floor guides are supplied in the J6, S6, S7, S8 & S9

Accessories



Round Flush Pull Set (385/S) satin, other finishes available



Oval Flush Pull (144S) satin, also available in black



Rectangle Flush Pull (125/S) also available in chrome



Self-Closing Door Kit (SCK1)

View our full range of accessories on page 136