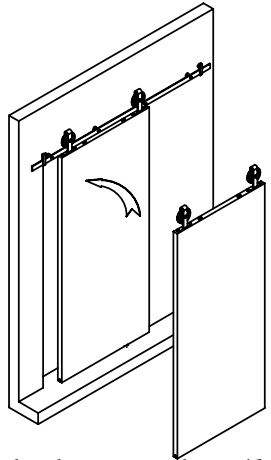
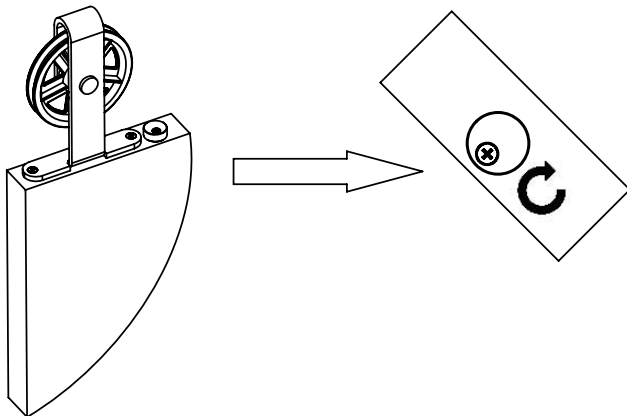


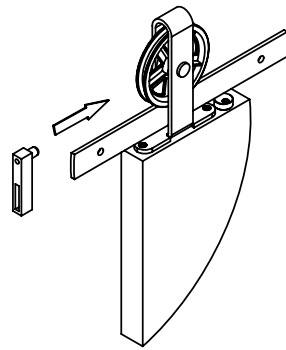
1: The rubber ends are used to protect the door from touching the rail when sliding the door. You need to drill holes on the door top side, please drill the holes



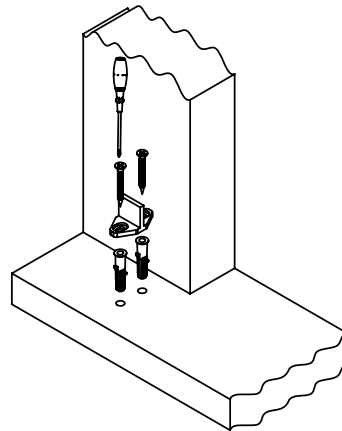
1: Hang the door over the rail



1: Turn the rubber ends approximately 180 degrees so that they are stuck between the door and the rail.



1: Adjust the 2 door stoppers to find a suitable position, Use the hex key to screw the door stoppers in place.




1: Install the floor guide. Put floor guide on the floor first to fix a suitable position and make a mark so that the tip of the floor guide can work well in the slot. Use ? drill bit to drill holes on the floor where the mark is, and then install the floor guide.



INSTRUCCIONES DE MONTAJE

RUSTIC GRAND TOP

## Product Content

1: 1\* Rail 

2: 2\* Roller 

3: 4\* Wall Spacer 

4: 4\* Lag Bolt 

6: 2\* Door Stopper 

9: 1\* Floor Guide 

7: 1\* Hex Key 

8: 2\* Anti-pad 

## Tools Needed

Phillips Screwdriver 

Drill 

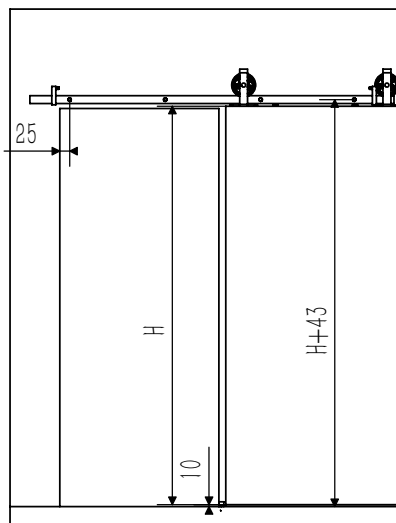
Wrench 

Pencil 

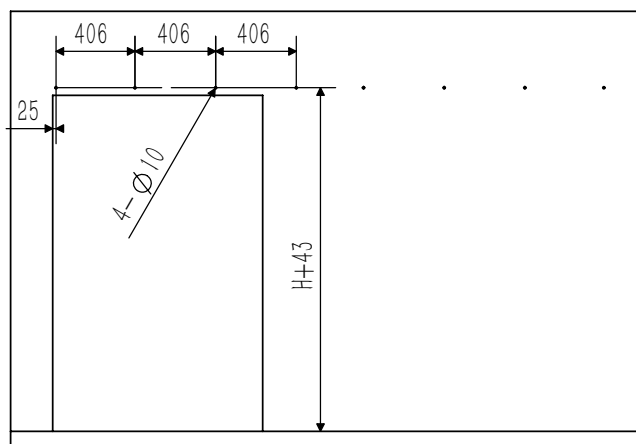
Tape 

Level 

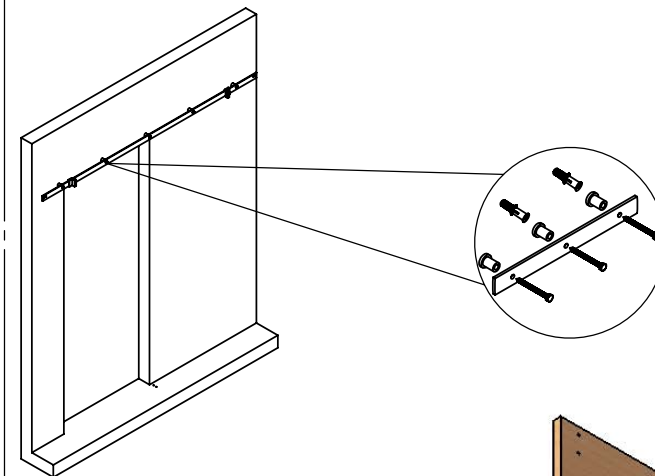
## Measurements (mm)



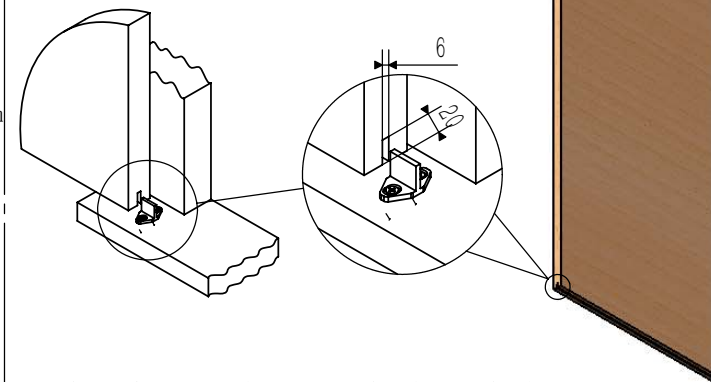
- 1: The gap between each pre-drilled hole is 406mm
- 2: Distance from the bottom of the door to the floor is 10mm
- 3: Door height is H.
- 4: The height of holes on the wall is  $H + 43$ mm



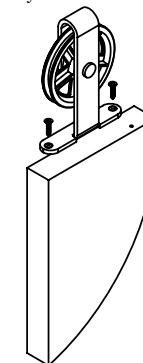
1. Place the rail against the wall, and use a pencil to mark where the holes should be. Make sure the height of holes on the wall is  $H + 43$ mm
2. Drill the holes on the wall where the pencil mark is. The holes on the wall and the pre-drilled holes on the rail should now match exactly.



1: Install the rail onto the wall.



1: When closing and opening the door, the bottom may swing back and forth. Use the T-shaped floor guide to prevent this. Use router or circular saw to create kerf for floor guide at bottom of the door, along the center to allow the tip of the floor guide to fit in between, to keep your door stable when you slide it open and closed.



1: Install the rollers onto the door according to the measurement in the pictures below.