
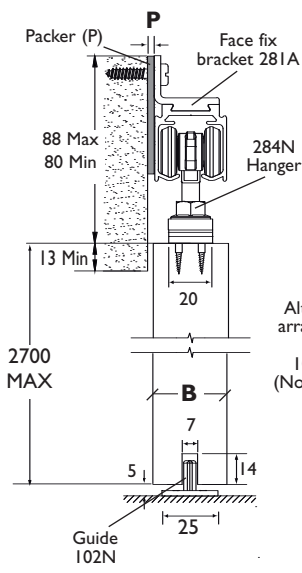
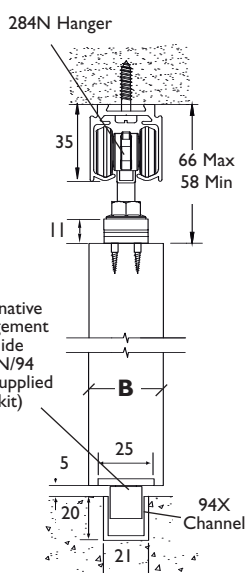
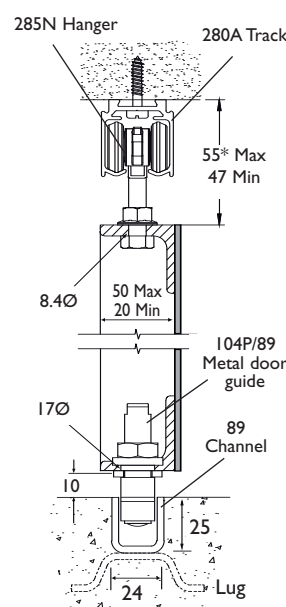


FITTING INSTRUCTIONS - NOTICE DE POSE - MONTAGE HANDLEIDING - MONTAGEANLEITUNG INSTRUZIONI DI MONTAGGIO - INSTRUCCIONES DE MONTAJE









Maximum leaf size	Weight	Kit No.
2700 x 800 x 50mm	50kg	H50/15A
2700 x 950 x 50mm	50kg	H50/18A
2700 x 1050 x 50mm	50kg	H50/20A
2700 x 1250 x 50mm	50kg	H50/24A

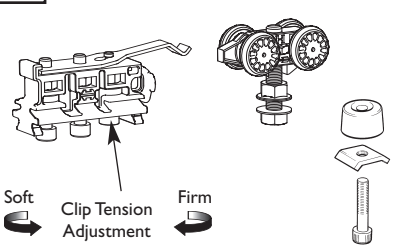
NOTE: If installing with Planet Drop Seal, please use both fitting instructions in conjunction as door overlap and routing detail differs slightly.

* Measurements based on 3mm metal framing.
(All dimensions in mm)

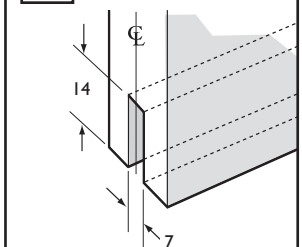
B = 20-50mm **P** = $\frac{B}{2}$ -14

Alternative guide arrangements (Not supplied in kit)

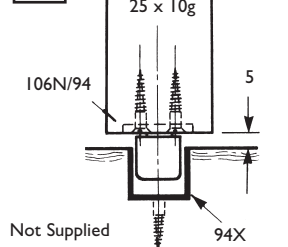
1 ASSEMBLY OF RETAINING STOP, HANGER & TRACK STOP



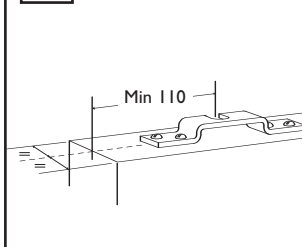
2 REBATE DOOR for 102N (if required)



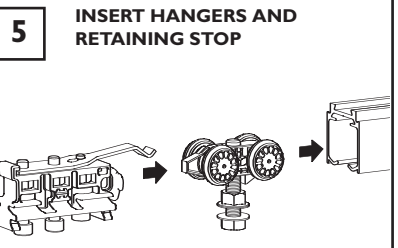
3 ALTERNATIVE GUIDE



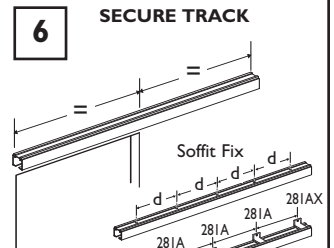
4 FIT HANGER APRON TO DOOR PANEL



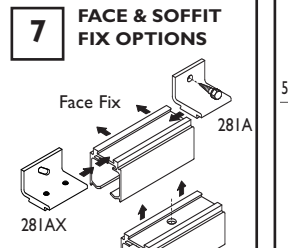
5 INSERT HANGERS AND RETAINING STOP



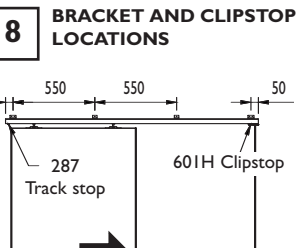
6 SECURE TRACK



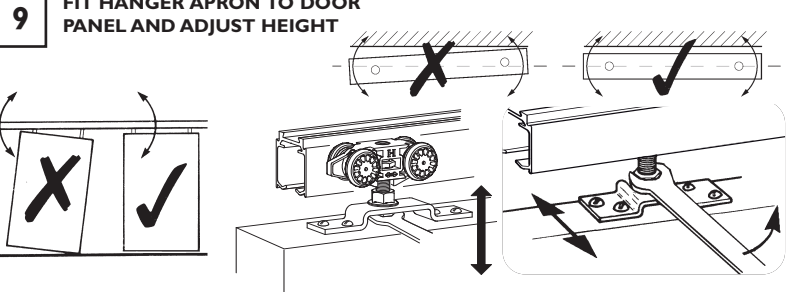
7 FACE & SOFFIT FIX OPTIONS



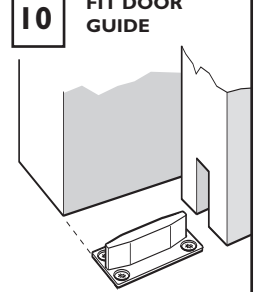
8 BRACKET AND CLIPSTOP LOCATIONS



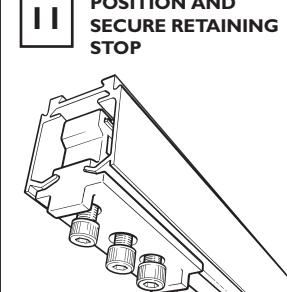
9 FIT HANGER APRON TO DOOR PANEL AND ADJUST HEIGHT



10 FIT DOOR GUIDE



11 POSITION AND SECURE RETAINING STOP



FITTING INSTRUCTIONS - NOTICE DE POSE - MONTAGE HANDLEIDING - MONTAGEANLEITUNG ISTRUZIONI DI MONTAGGIO - INSTUCCIONES DE MONTAJE

Maximum leaf size	Weight	Kit No.
2700 x 800 x 50mm	50kg	H50/15
2700 x 950 x 50mm	50kg	H50/18
2700 x 1050 x 50mm	50kg	H50/20
2700 x 1250 x 50mm	50kg	H50/24

NOTE: If installing with Planet Drop Seal, please use both fitting instructions in conjunction as door overlap and routing detail differs slightly.

* Measurements based on 3mm metal framing.
(All dimensions in mm)

Alternative guide arrangement (Not supplied in kit)

1 ASSEMBLY OF RETAINING STOP, HANGER & TRACK STOP

2 REBATE DOOR
for 102N (if required)

3 ALTERNATIVE GUIDE

4 FIT HANGER APRON TO DOOR PANEL

5 INSERT HANGERS AND RETAINING STOP

6 SECURE TRACK

7 FACE & SOFFIT FIX OPTIONS

8 BRACKET AND CLIPSTOP LOCATIONS

9 FIT HANGER APRON TO DOOR PANEL AND ADJUST HEIGHT

10 FIT DOOR GUIDE

11 POSITION AND SECURE RETAINING STOP