

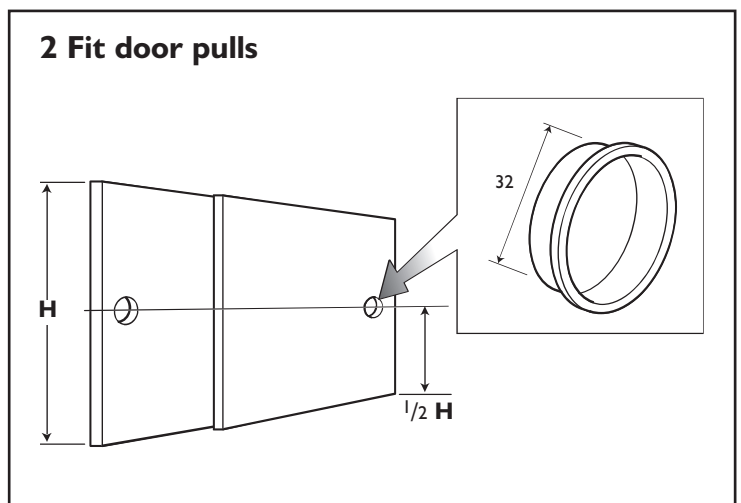
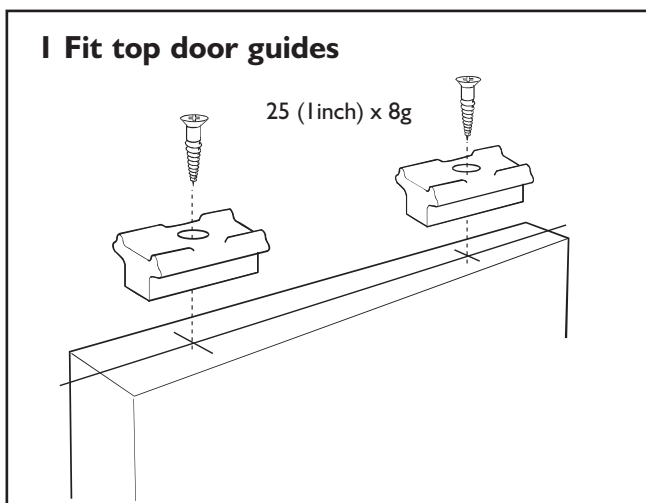
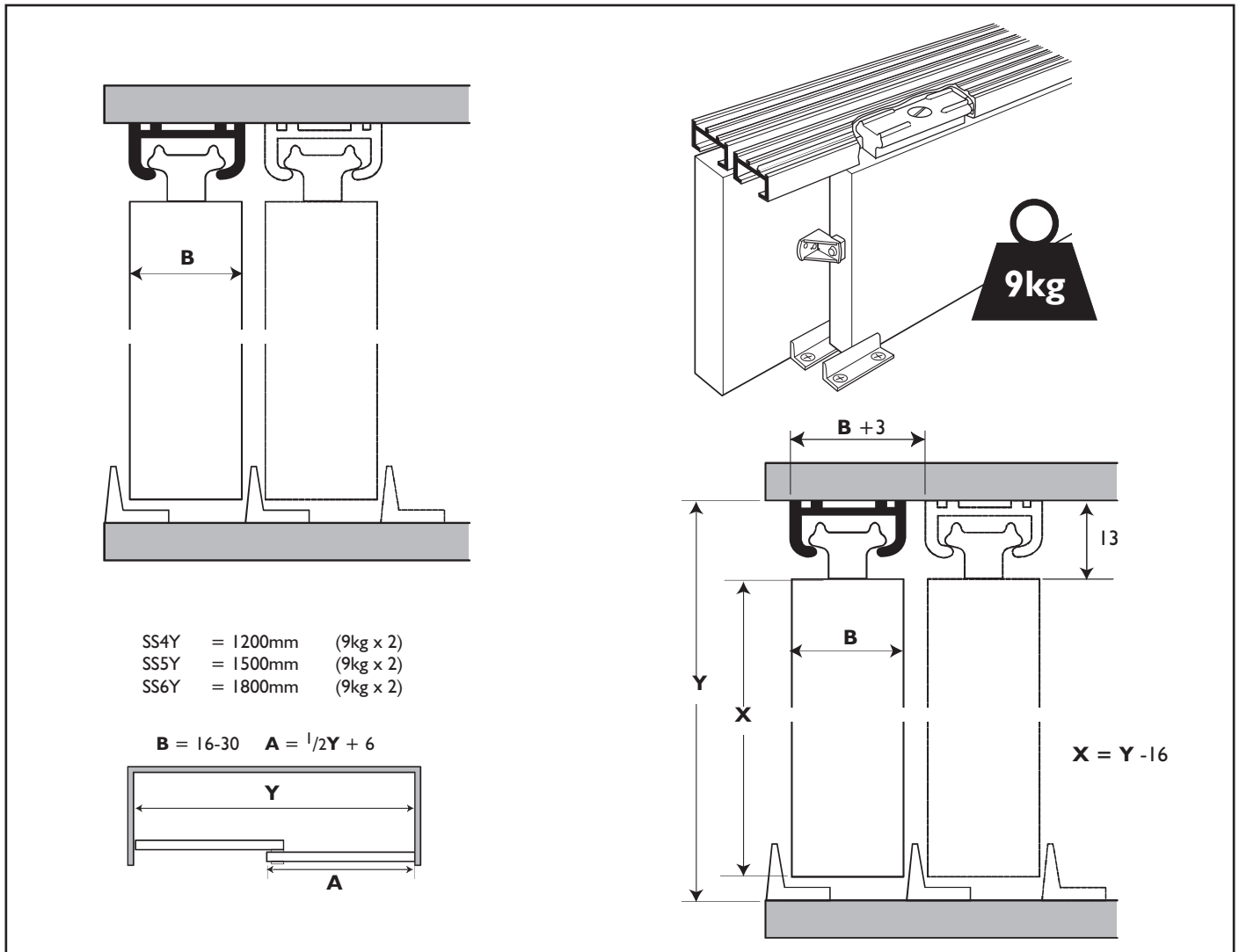
**FITTING INSTRUCTIONS - NOTICE DE POSE - MONTAGE HANDLEIDING - MONTAGEANLEITUNG
ISTRUZIONI DI MONTAGGIO - INSTUCCIONES DE MONTAJE**

Warranty. This product is covered by a 10 year manufacturer's warranty. Please see the P C Henderson website for terms and conditions.

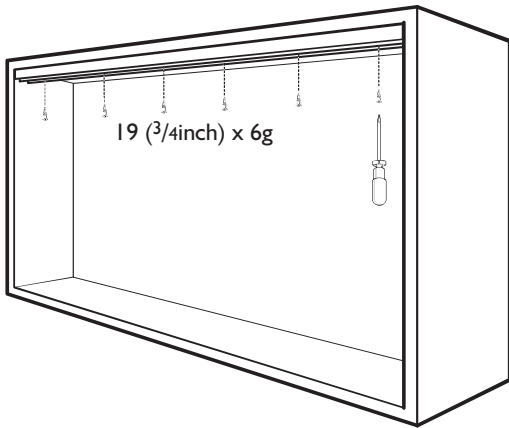
WATCH THE INSTALLATION VIDEO

Visit: www.pchenderson.com/slipper-installation

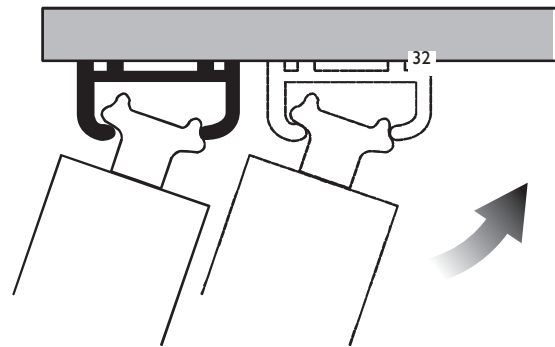
Or scan the QR code using your phone



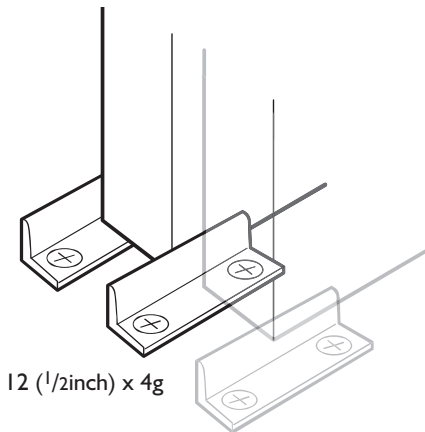
3 Fit track to inside of cabinet



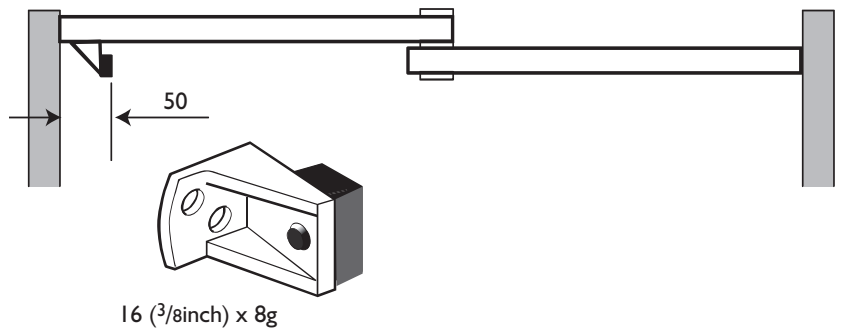
4 fit doors into track



5 Fit bottom guides



6 Fit door stop



(All dimensions are in mm.)

