

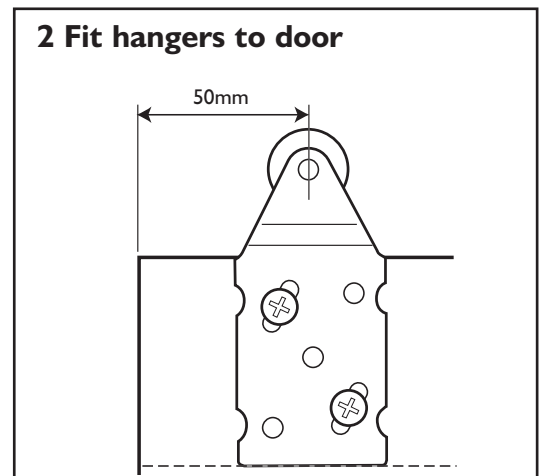
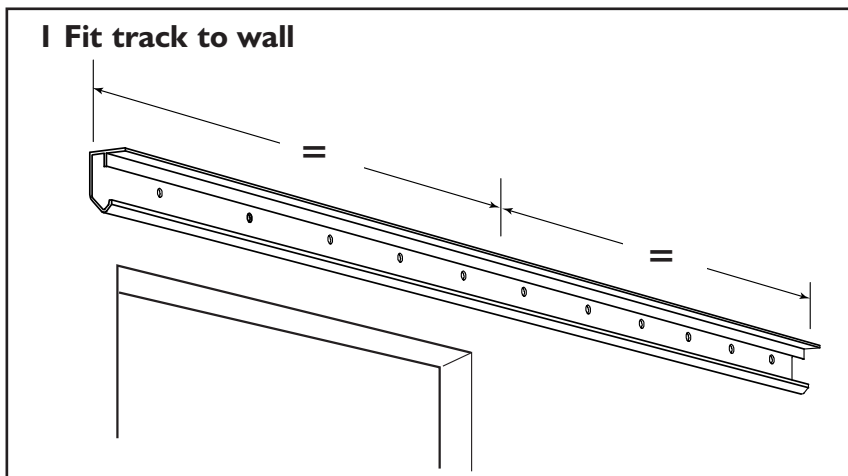
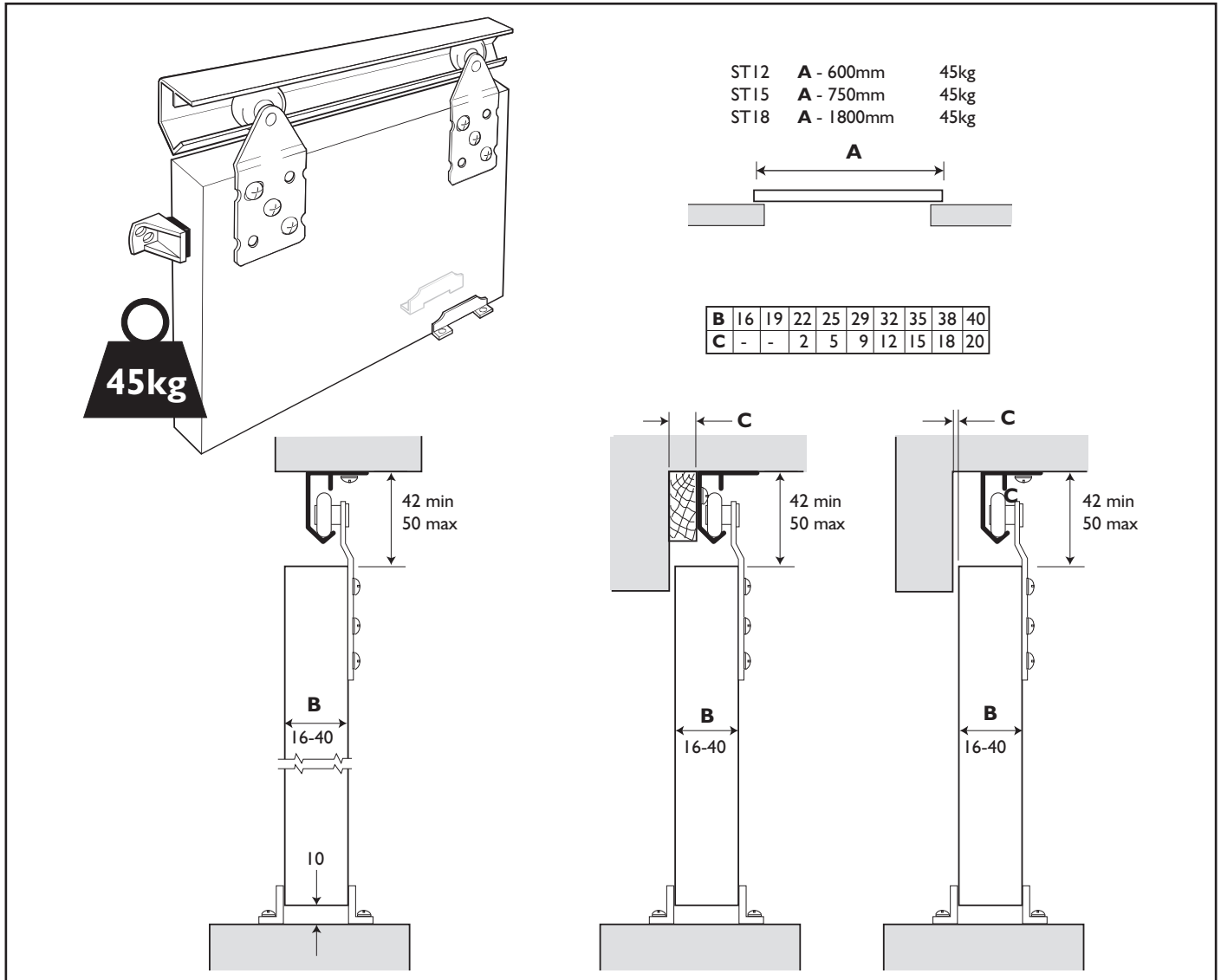
**FITTING INSTRUCTIONS - NOTICE DE POSE - MONTAGE HANDLEIDING - MONTAGEANLEITUNG  
ISTRUZIONI DI MONTAGGIO - INSTRUCCIONES DE MONTAJE**

**Warranty.** This product is covered by a 10 year manufacturer's warranty. Please see the P C Henderson website for terms and conditions.

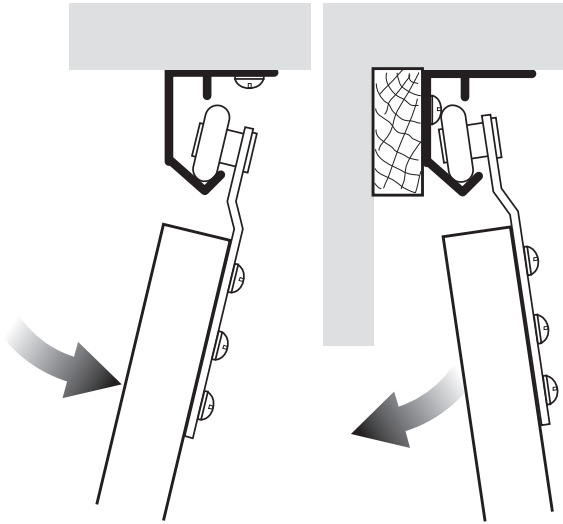
## WATCH THE INSTALLATION VIDEO

Visit: [www.pchenderson.com/single-top-installation](http://www.pchenderson.com/single-top-installation)

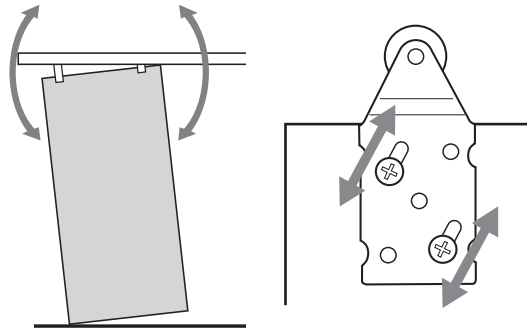
Or scan the QR code using your phone



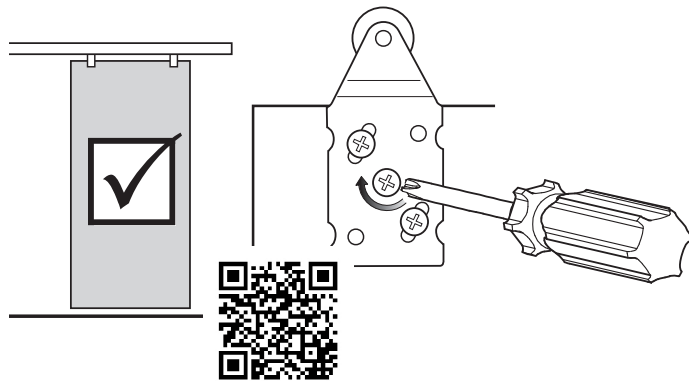
### 3 Position door into track



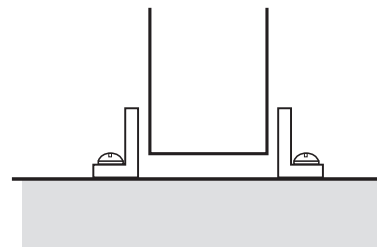
### 4 Adjust door height



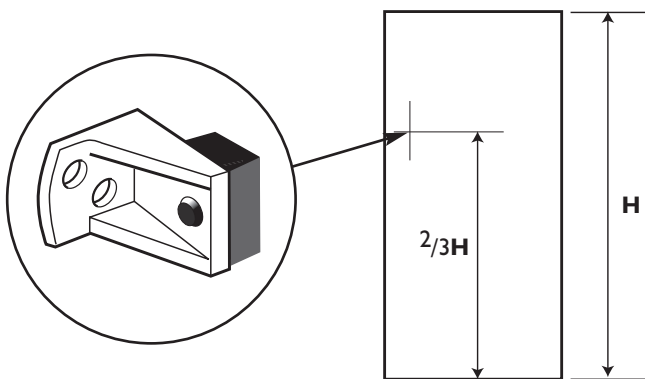
### 5 Lock the hangers when the door is in position



### 6 Centre door between guides



### 7 Fit door stop



(All dimensions are in mm.)

