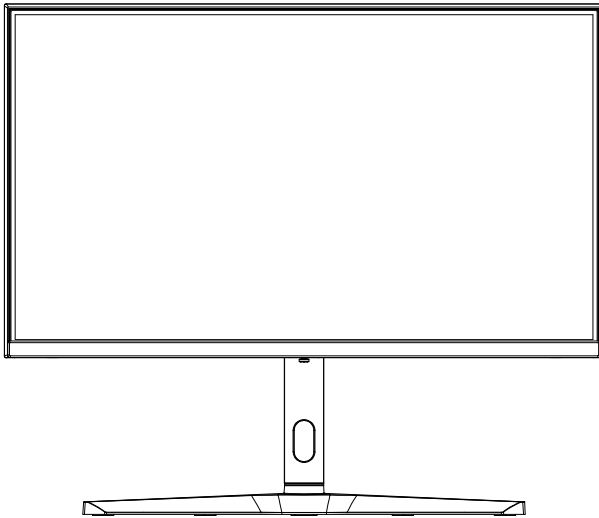


USER MANUAL FOR MONITOR



P27A2R

Precautions

Before using this product, please read this User Manual carefully and keep it well

- Keep the monitor away from water sources or damp places, such as bath rooms, kitchens, basements and swimming pools.
- Make sure the monitor is placed on a flat surface. If the monitor falls down, it may cause human injury or device damage.
- Store and use the monitor in a cool, dry and well ventilated place, and keep it away from emission and heat sources.
- Do not cover or block the vent hole in the rear casing, and do not use the product on a bed, sofa, blanket or similar objects.
- The range of the supply voltage of the monitor is printed on the label on the rear casing. If it is impossible to determine the supply voltage, please consult the distributor or local power company.
- If the monitor will not be used for a long period, please cut off the power supply to avoid electric shock in rainy days and damage due to abnormal supply voltage.
- Please use a reliable grounded socket, Do not overload the socket, or it may cause fire or electric shock.
- Do not put foreign matters into the monitor, or it may cause short circuits resulting fire or electric shock.
- Do not disassemble or repair this product by self to avoid electric shock. If faults occur, please contact the after-sales service directly.
- Do not pull or twist the power cable forcedly.
- There is a polarizer layer (not a protective film) on the surface of the screen. Do not peel it off, or the product may be damaged and the warranty will be invalid.

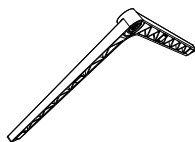
Package Content

Packing list

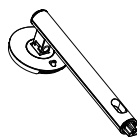
- Please check that the package of the monitor contains all parts. If any part is lost, please contact the distributor.
- The color and shape of parts may vary with models. Figures in this User Manual are for reference only.
- Cables supplied may vary with purchased products. Figures in this User Manual are for reference only.



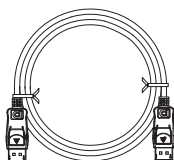
Monitor



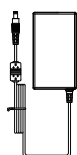
Base



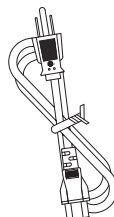
Stand stem



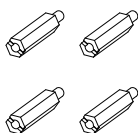
DP signal cable



Power adapter



Power cable



M4x6 Mount hexagon irons x 4

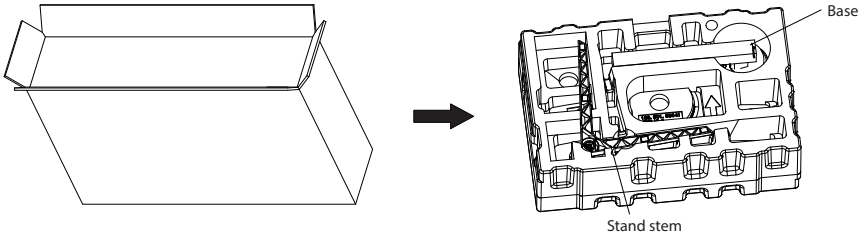


User Manual

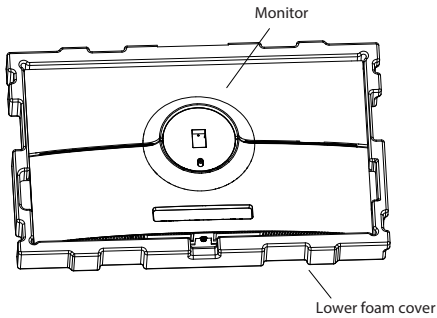
Installation

Installation of base

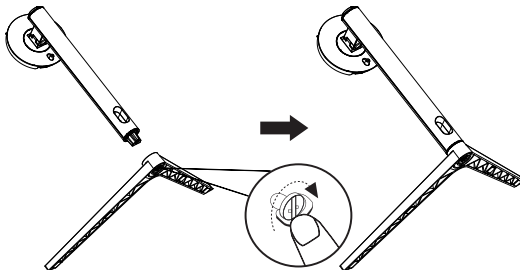
1. Open the package to take out foams and put them on a flat tabletop.



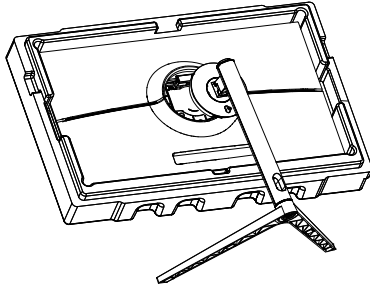
2. Remove the upper foam cover and put it aside, take out the monitor film bag and put the monitor in the lower foam cover.



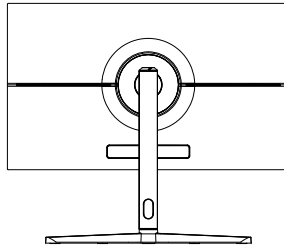
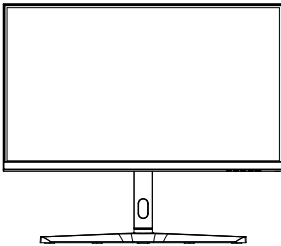
3. Take out the base and stand, and use the thumb screw of the base to lock the stand.




4. Align the base and stand components assembled in Step 3 to the slot of the machine and clip them. (Note: Slide the quick disassembly button up with fingers to take out the base and stand components)



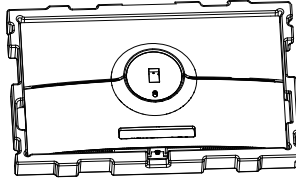
5. Simply hold the stand with hand to stand the monitor upright.



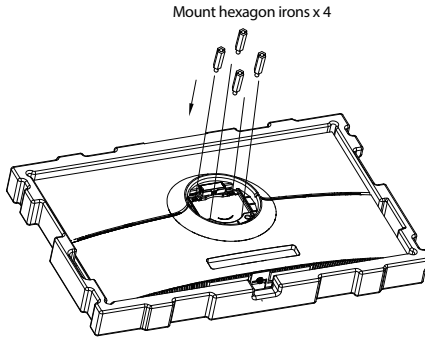
 Note: During standing of the whole monitor, do not press the liquid crystal screen with hand to avoid damage to the screen.

Installation of mount

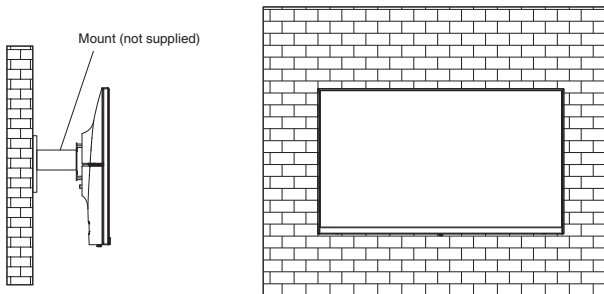
1. Open the package, take out the product with foam still attached, and gently place it on a desktop or table. Remove the extra parts and the foam covering the monitor. If the monitor was already attached to the stand, remove the stand.



2. Take out the four hexagon irons from the accessory bag. Assemble them in the middle of the whole machine and lock them with a screwdriver. Do not take the screen out from the foam to avoid damage to the screen.

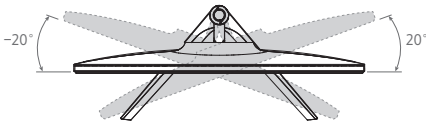


3. Note: Hang the assembled product on a hard wall. Do not pinch the screen with your hands during the hanging process to avoid damaging the screen.

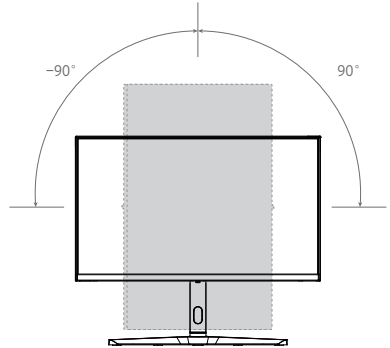


Note: In order to prevent the monitor from falling when it is used on the wall, please install it properly and do safety protection. Do not place or hang any objects on the wall bracket, and the wall height should be within 2 meters.

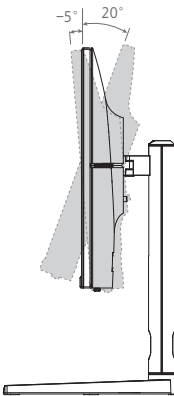
Adjustment of monitor



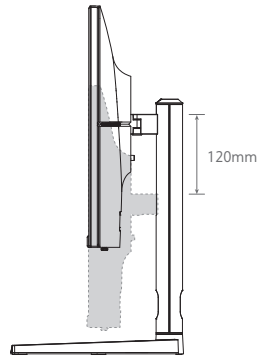
Rotation angle
 $-20^{\circ}(\pm 2.0^{\circ}) - +20^{\circ}(\pm 2.0^{\circ})$



Vertical angle
 $-90^{\circ} - +90^{\circ}$



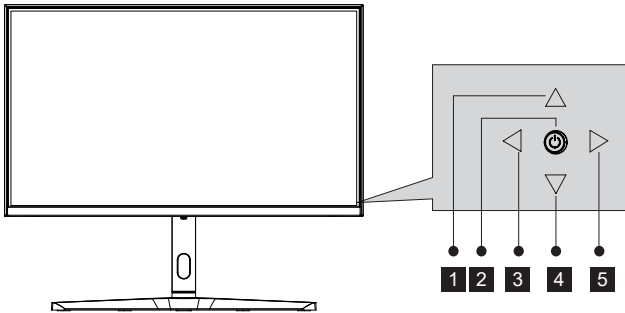
Tilting angle
 $-5.0^{\circ}(\pm 2.0^{\circ}) - +20^{\circ}(\pm 2.0^{\circ})$



Height angle
 $0-120\text{mm}(\pm 5.0\text{mm})$

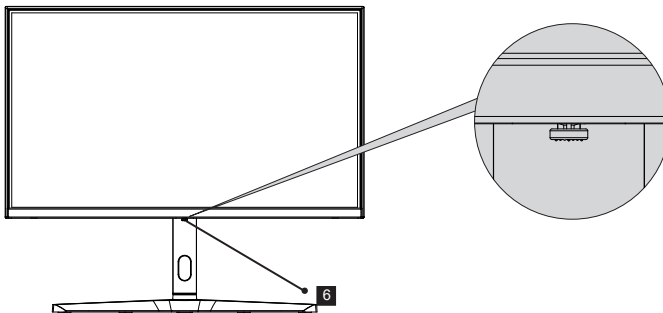
Instructions for use

Description of buttons



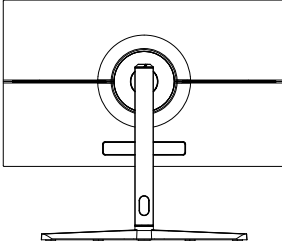
Button	Function
1	Up rocker button: Quickly enter the contextual mode.
2	Rocker switch button: Press to turn on/off the monitor.
3	Left rocker button: Press to return to the previous menu/ Exit.
4	Down rocker button: The rocker is used to quick enter the Game Crosshair menu.
5	Right rocker button: Press to enter sub-menus/ quickly enter the main menu.

Explanation of indicators



6. Indicator: Steady blue light indicates that power is on and the monitor is operating normally. A red light indicates no video source, no horizontal or vertical signal detected or low voltage. No light indicates a shutdown condition. Make sure your computer is turned on and that all video cables are fully plugged in and/or connected.

Cable connection:



* The bottom interface configuration at the back of the monitor varies with products.

* Note: If the power cable or signal cable is damaged, you must replace it with special soft cables or special components purchased from the manufacture or maintenance department.

HDMI interface



Use the HDMI cable to connect the HDMI IN interface of the product to the HDMI OUT interface of a PC.



Use the HDMI-DVI cable to connect the HDMI IN interface of the product to the DVI OUT interface of a PC. (In general, PCs do not transfer video signals to the monitor through the DVI OUT interface, and it is necessary to connect a loudspeaker box additionally to play sounds of PCs.)



DP interface



Use the DP cable to connect the DP IN interface of the product to the DP OUT interface of a PC.



AUDIO OUT



Connect audio outputting devices such as earphones to the AUDIO OUT interface.



DC interface



Please connect the power adapter to the power cable, connect the power adapter plug to the corresponding power port of the monitor, and then connect the power cable to a properly grounded power outlet.



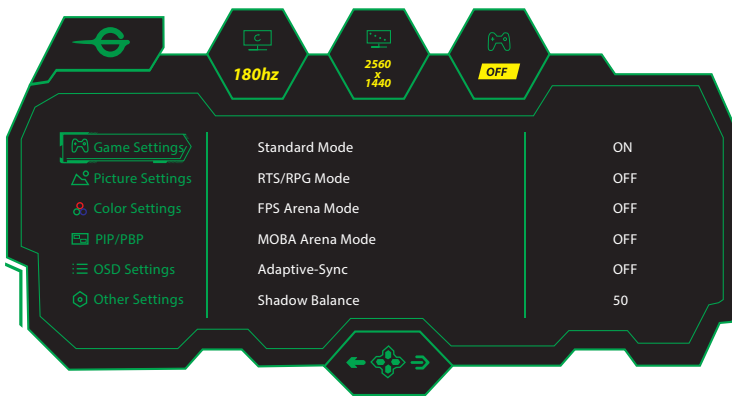
OSD menu

Menu description

- The color and shape of the OSD menu of the actual computer may be slightly different from them shown in the figure.
- Specifications of the OSD menu may change with improvements of functions without prior notice.

Press the menu button on the control panel to access the monitor menu. The detailed information of each menu can be found in the following sections.

1. Rocker key (Right) to enter the OSD main menu or enter sub-menus.



2. Rocker key (Up) to enter the Contextual Model or move up in the menu.

3. Rocker key (Down) to enter the GamePlus Switching or move down in the menu.

4. Rocker key (Left) to enter the Input Signal or exit the current screen.

* Functions of the monitor vary with models, and the functions in this manual are for reference only.

Game Settings	Standard Mode	Off/On
	RTS/RPG Mode	Off/On
	FPS Arena Mode	Off/On
	MOBA Arena Mode	Off/On
	Adaptive-Sync	Off/On
	Shadow Balance	0-100
	Response Time	Off/Normal/Fast/Ultrafast
	Refresh Rate	Off/On
		Position: Top Right/Top Left/Bottom Right/Bottom Left
	Game Crosshair	Off
		On: Crosshair 1/Crosshair 2/Crosshair 3/Crosshair 4/Crosshair 5/Crosshair 6
Game Time	Off	
	On: 15:00/30:00/45:00/60:00	
Dynamic Brightness	Off/Normal/Expert/Elaboration	
Picture Settings	Brightness	0-100
	Contrast	0-100
	DCR	Off/On
	Contextual Model	Off
		On: Movie Mode/Reading Mode/Night Mode
	Low Blue Light	0-100
	Sharpness	0-5
	Gamma	1.8/2.0/2.2/2.4/2.6/ S.curve
Aspect Ratio	Wide Screen/4:3/1:1/Auto	
Color Settings	Warm	Off/On
	Natural	Off/On
	Cool	Off/On
	User1	Off/On
	User2	Off/On
	User3	Off/On
	Hue	R/G/B/C/M/Y: 0-100
	Saturation	R/G/B/C/M/Y: 0-100

* Functions of the monitor vary with models, and the functions in this manual are for reference only.

PIP/PBP	PIP/PBP mode	Off/PIP Mode/PBP 2Win 1:1
	Sub-Signal Source	DP1/DP2/HDMI1/HDMI2
	Audio Source	Auto/DP1/DP2/HDMI1/HDMI2
	PIP Position	Top Right/Top Left/Bottom Right/Bottom Left
	PIP Size	Small/Medium/Large
	Window Swap	Off/On
OSD Settings	Language	简体中文/English/한국어/العربية/Portugues do Brasilazil/Deutsch/Nederland/Suomi/Français/Ελληνικά/Indonesia/Italiano/日本語/Malaysia/Polskie/Português/Русский/Español/ไทย/Українська/Tiếng Việt/繁体中文/Türkçe
	OSD Time Out	5-100
	OSD H-Position	0-100
	OSD V-Position	0-100
	OSD Transparency	0-5
	Hotkey1 Settings	Brightness/Contrast/Volume/Mute/Shadow Balance/Game Crosshair/Refresh Rate/Game Time /Contextual Model/PIP/PBP Mode/Input Signal/Dynamic Brightness
	Hotkey2 Settings	Brightness/Contrast/Volume/Mute/Shadow Balance/Game Crosshair/Refresh Rate/Game Time /Contextual Model/PIP/PBP Mode/Input Signal/Dynamic Brightness
	Hotkey3 Setting	Brightness/Contrast/Volume/Mute/Shadow Balance/Game Crosshair/Refresh Rate/Game Time /Contextual Model/PIP/PBP Mode/Input Signal/Dynamic Brightness
	OSD Rotation	Normal/90/180/270
	OSD Lock	Off/On
Other Settings	Input Signal	Auto/DP1/DP2/HDMI1/HDMI2
	Volume	0-100
	Mute	Off/On
	Auto Power	Off/On
	Eyeshield Remind	Off/On
	Reset	No/Yes
	Information	Input Source/Resolution/Mode

Basic parameters

Product Name		Liquid Crystal Display
Product model		P27A2R
Screen Size		27inches (68cm)
Aspect Ratio		16:9
Viewing Angle		178°(H) / 178°(V)
Pixel pitch		0.2331 (H) × 0.2331 (V) mm
Contrast ratio		1000:1
Colors		16.7M
Resolution		2560x1440
Maximum refresh rate		180Hz
Power Supply		12.0V ---4.0A
Product Dimensions Lifting base	Without base	619x63.7x365.5mm
	With base	619x262.1x527.9mm
Tilting angle		Forward tilting : 5° ± 2°; Backward tilting: 20° ± 2°
Height range		120±5mm
Rotation angle		20°(±2°)
Vertical angle		90°(±2°)
Environmental conditions	Action	Temperature: 0°C ~ 40°C (32°F ~ 104°F) Humidity: 10%~90% RH (non-condensing)
	Storage	Temperature: -20°~ 60° (-4°F ~ 140°F) Humidity: 5%~95% RH (non-condensing)



The terms HDMI and HDMI High-Definition Multimedia Interface, and the HDMI Logo are trademarks or registered trademarks of HDMI Licensing Administrator, Inc. in the United States and other countries.



"This device complies with Part 15 of the FCC rules. Operation is subject to the following two conditions:
(1) this device may not cause harmful interference, and
(2) this device must accept any interference received, including interference that may cause undesired operation."