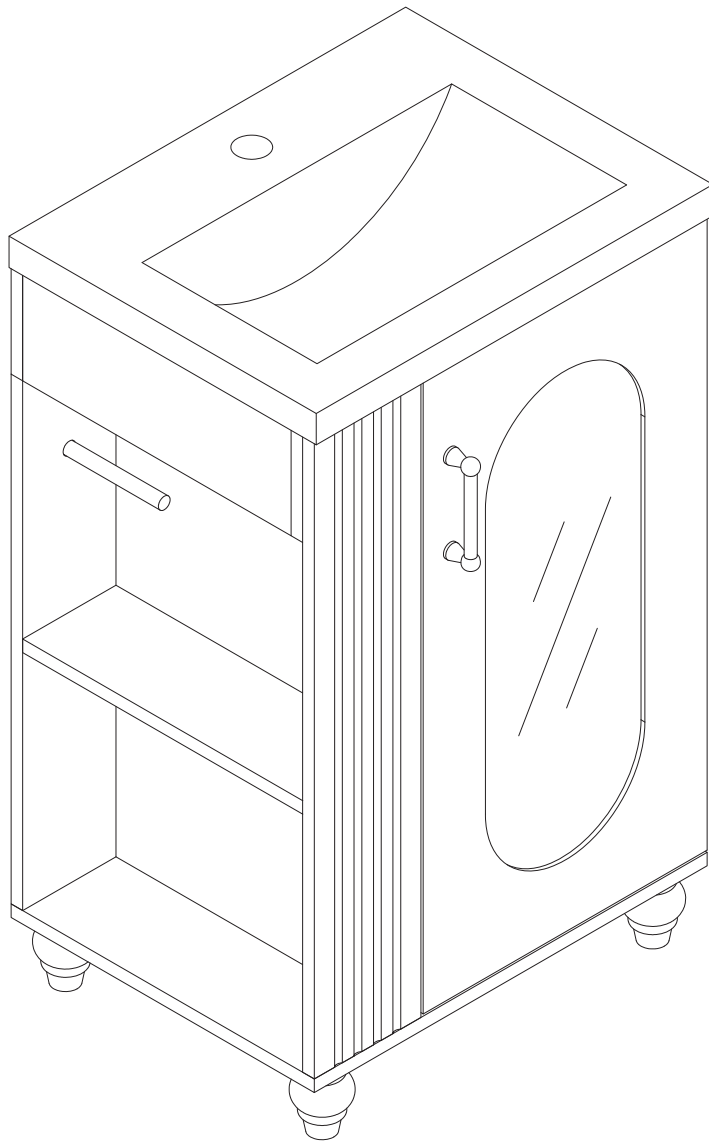
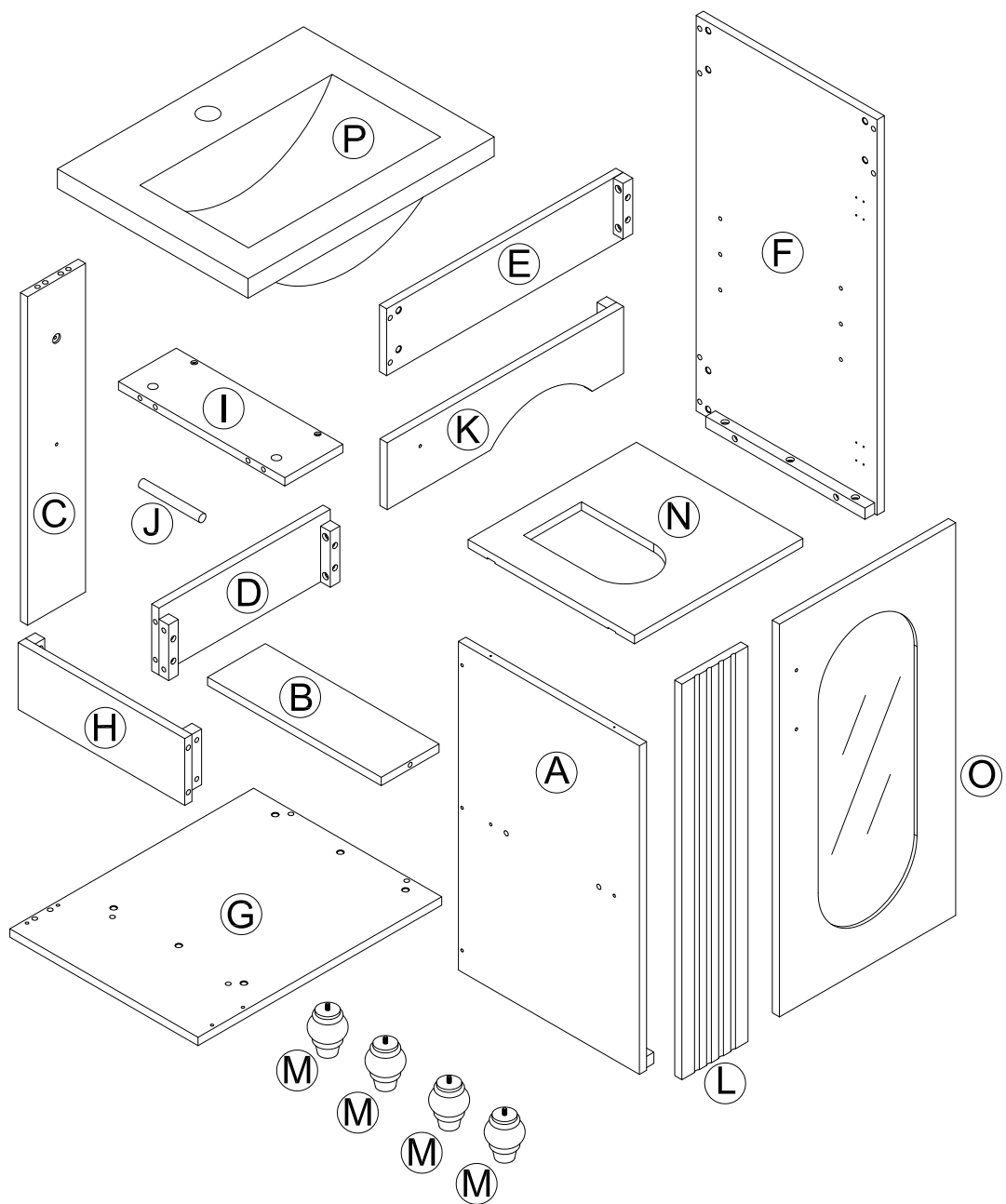
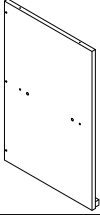
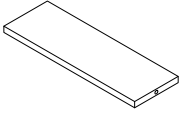

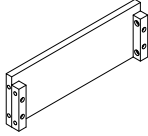
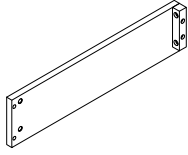
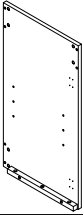
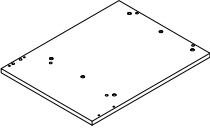
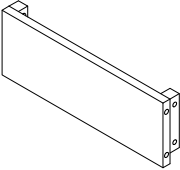
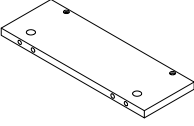
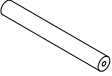
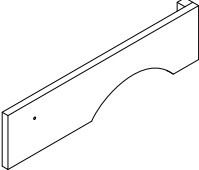


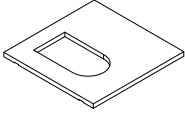
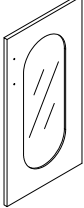
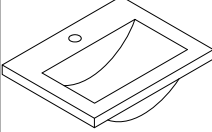


WF322518AAK

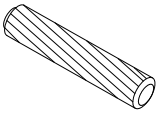
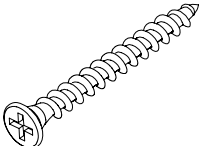
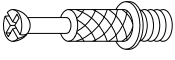
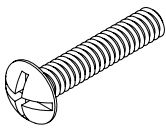
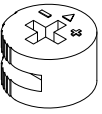

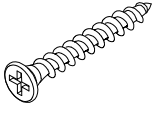
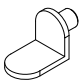
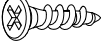
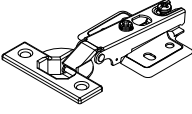






PRODUCT PARTS:


<p style="text-align: center;">A</p> 	<p style="text-align: center;">B</p> 	<p style="text-align: center;">C</p> 	<p style="text-align: center;">D</p> 	<p style="text-align: center;">E</p> 	<p style="text-align: center;">F</p> 
<p style="text-align: center;">1PC</p>	<p style="text-align: center;">1PC</p>	<p style="text-align: center;">1PC</p>	<p style="text-align: center;">1PC</p>	<p style="text-align: center;">1PC</p>	<p style="text-align: center;">1PC</p>
<p style="text-align: center;">G</p>	<p style="text-align: center;">H</p>	<p style="text-align: center;">I</p>	<p style="text-align: center;">J</p>	<p style="text-align: center;">K</p>	<p style="text-align: center;">L</p>
					
<p style="text-align: center;">1PC</p>	<p style="text-align: center;">1PC</p>	<p style="text-align: center;">1PC</p>	<p style="text-align: center;">1PC</p>	<p style="text-align: center;">1PC</p>	<p style="text-align: center;">1PC</p>
<p style="text-align: center;">M</p>	<p style="text-align: center;">N</p>	<p style="text-align: center;">O</p>	<p style="text-align: center;">P</p>		
					
<p style="text-align: center;">4PCS</p>	<p style="text-align: center;">1PC</p>	<p style="text-align: center;">1PC</p>	<p style="text-align: center;">1PC</p>		

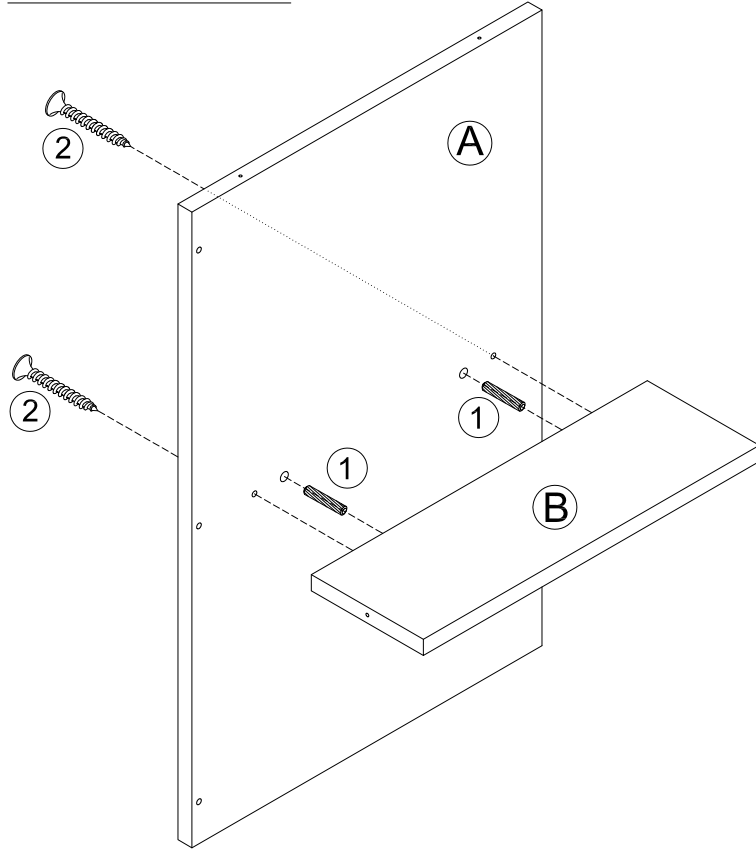
HARDWARE:

①	②	③	④	⑤	⑥
					
Ø8x30mm	Ø4x35mm	Ø6x33mm	1/4"x25mm	Ø15x9mm	5/32"x18mm
24+2 PCS	10+1 PCS	7 PCS	18+1 PCS	7 PCS	3PCS
⑦	⑧	⑨	⑩	⑪	
					
Ø4x25mm		Ø4x12mm			
1PC	4PCS	12+1PCS	2PCS	1PC	


STEP 1

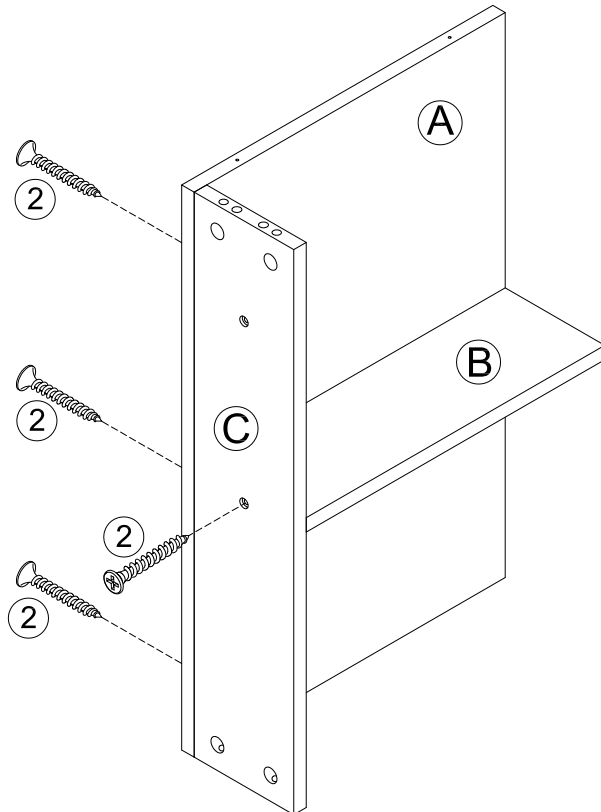
①  2pcs
Ø8x30mm

②  2pcs
Ø4x35mm

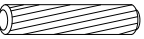



STEP 2

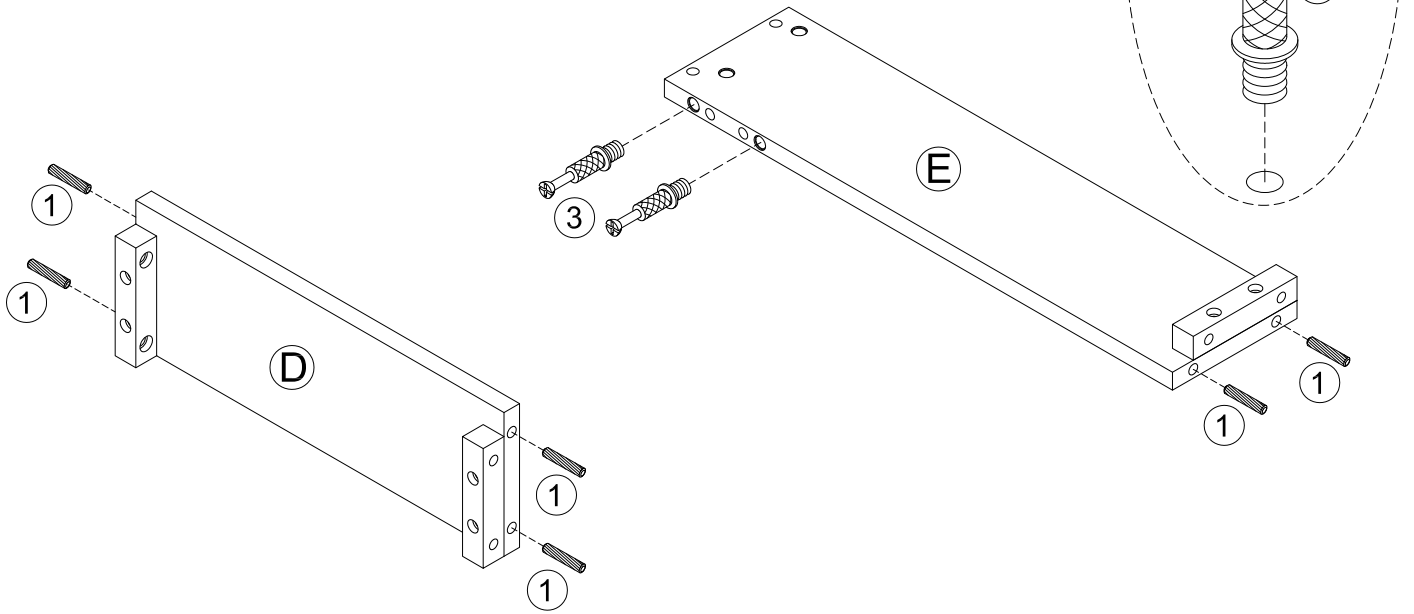
②  4pcs
Ø4x35mm




STEP 3

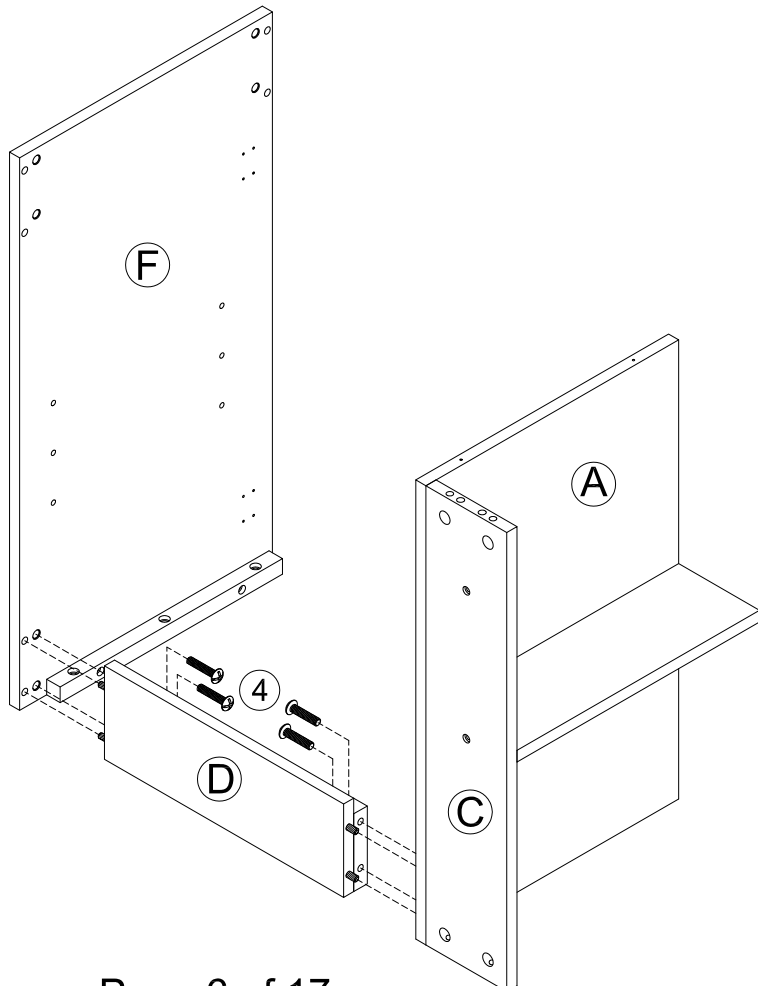
①  6pcs
Ø8x30mm

③  2pcs
Ø6x33mm

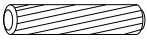


STEP 4

④  4pcs
1/4"x25mm

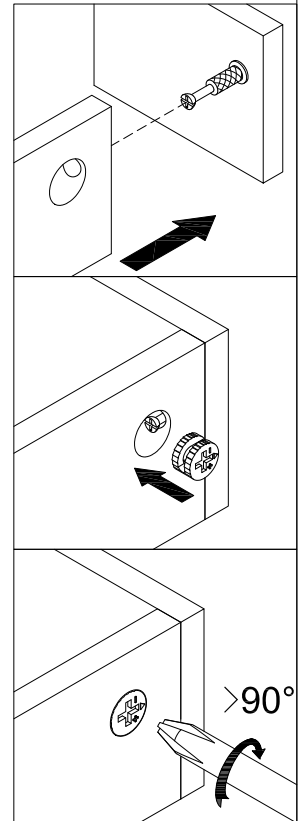
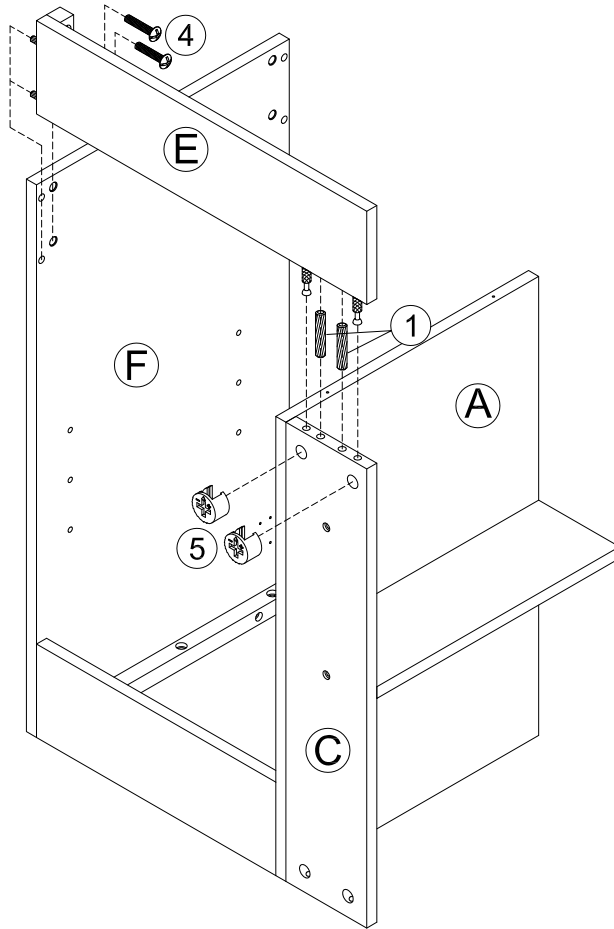


STEP 5

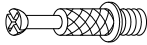
①  2pcs
Ø8x30mm

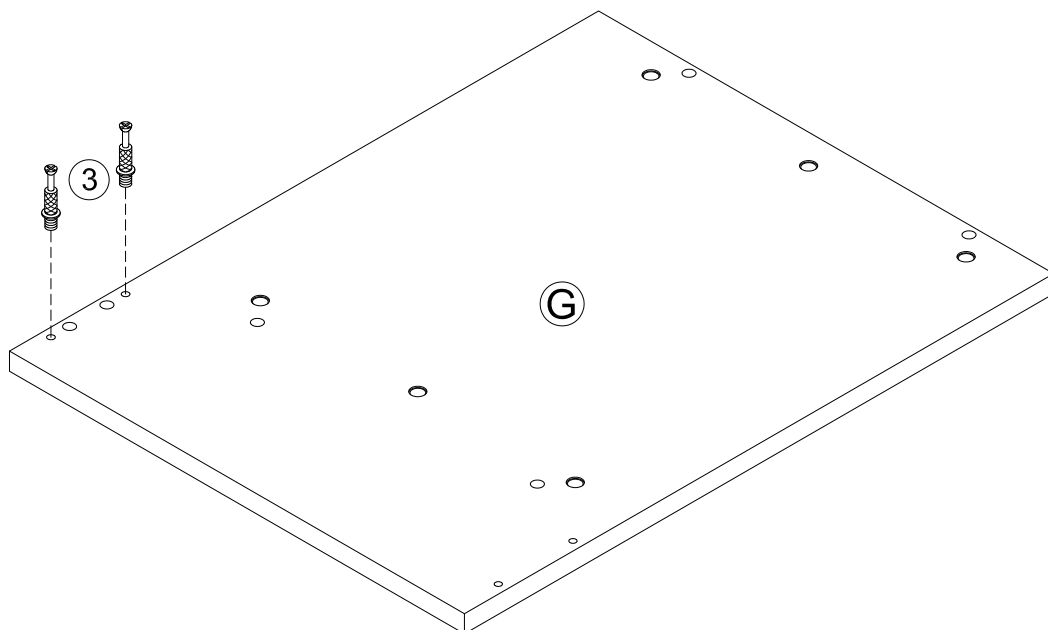
④  2pcs
1/4"x25mm

⑤  2pcs
Ø15x9mm




STEP 6


③  2pcs
Ø6x33mm

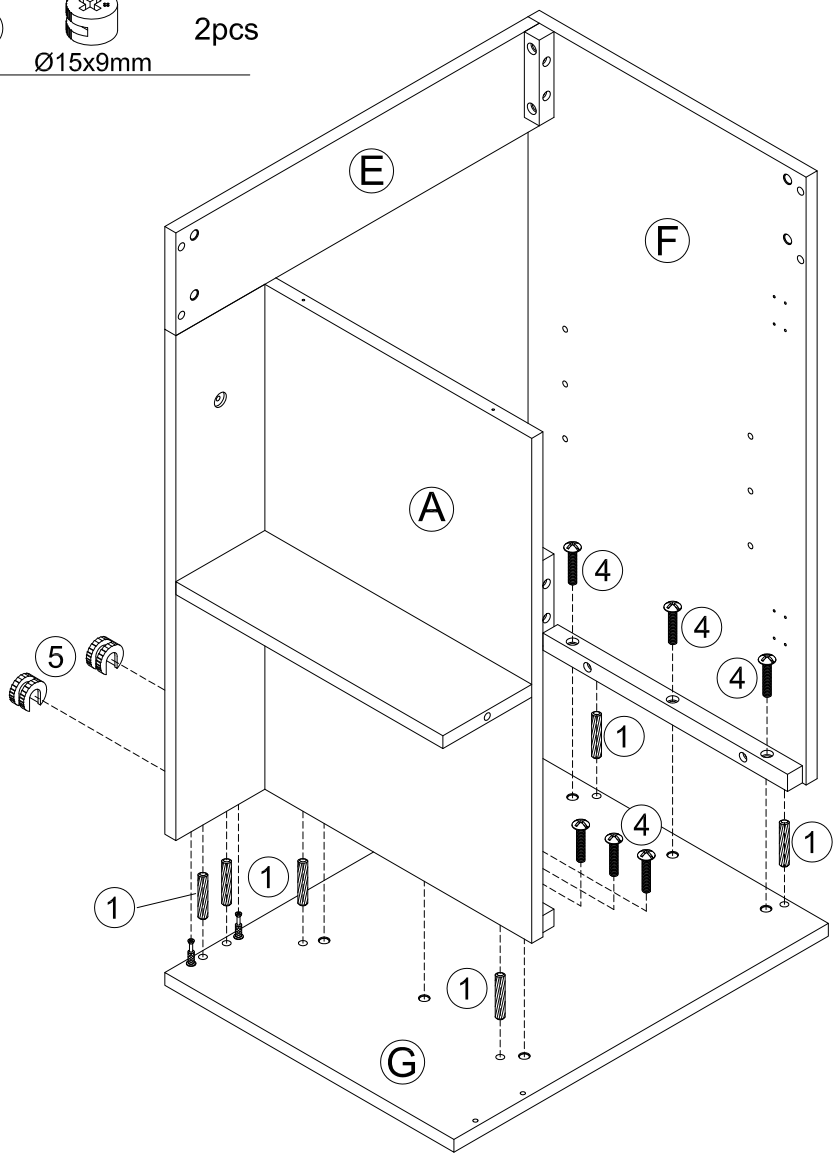
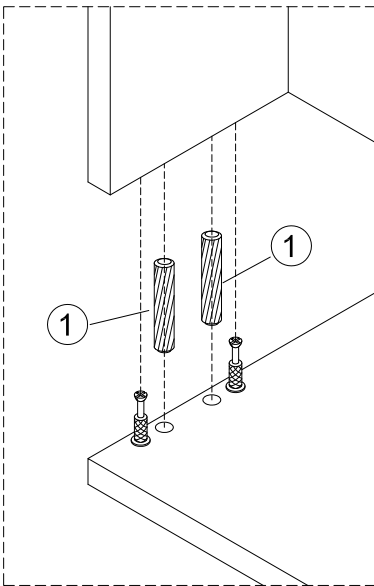


STEP 7

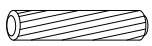
①  6pcs
Ø8x30mm

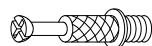
⑤  2pcs
Ø15x9mm

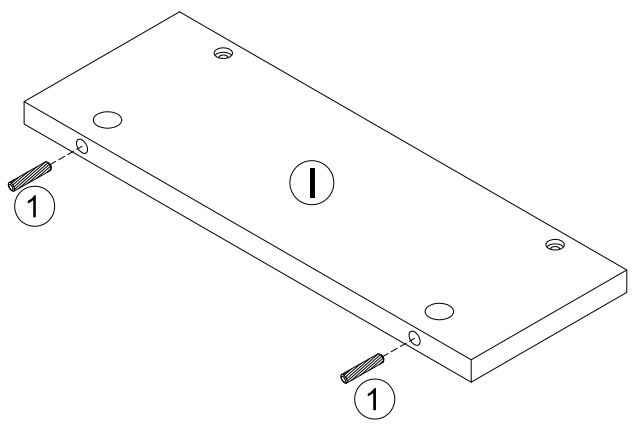
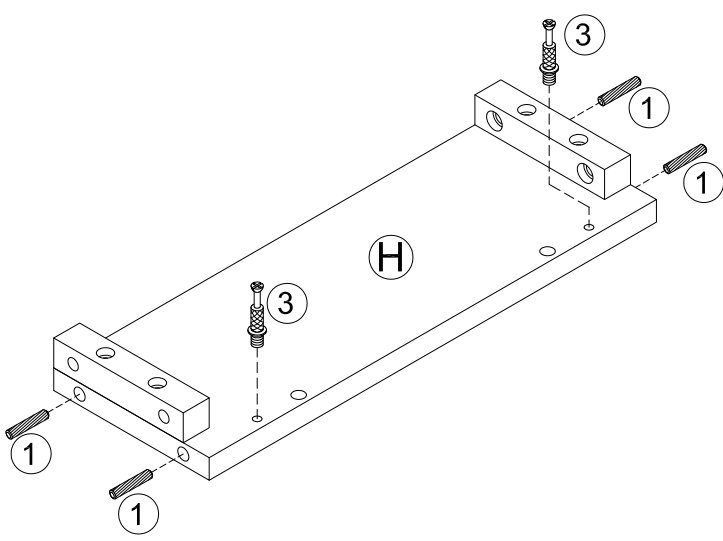
④  6pcs
1/4"x25mm




STEP 8

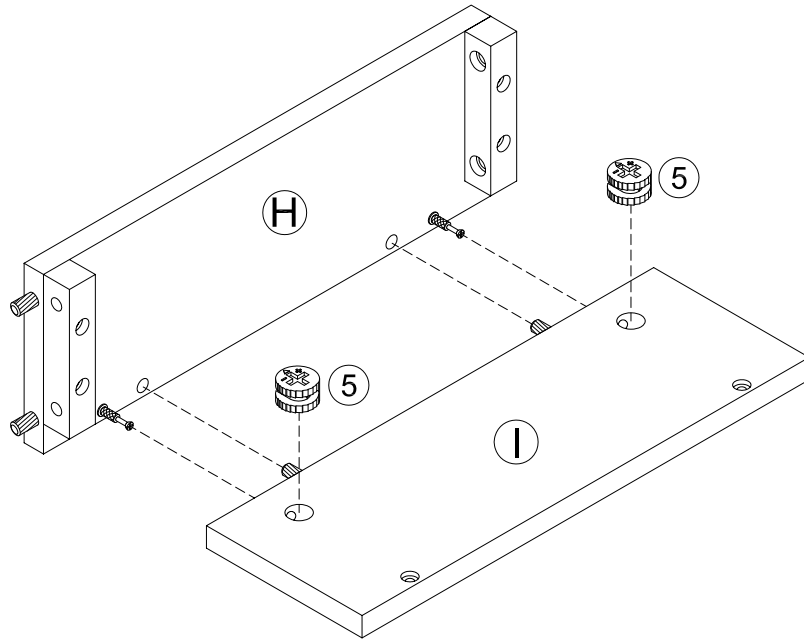
①  6pcs
Ø8x30mm

③  2pcs
Ø6x33mm




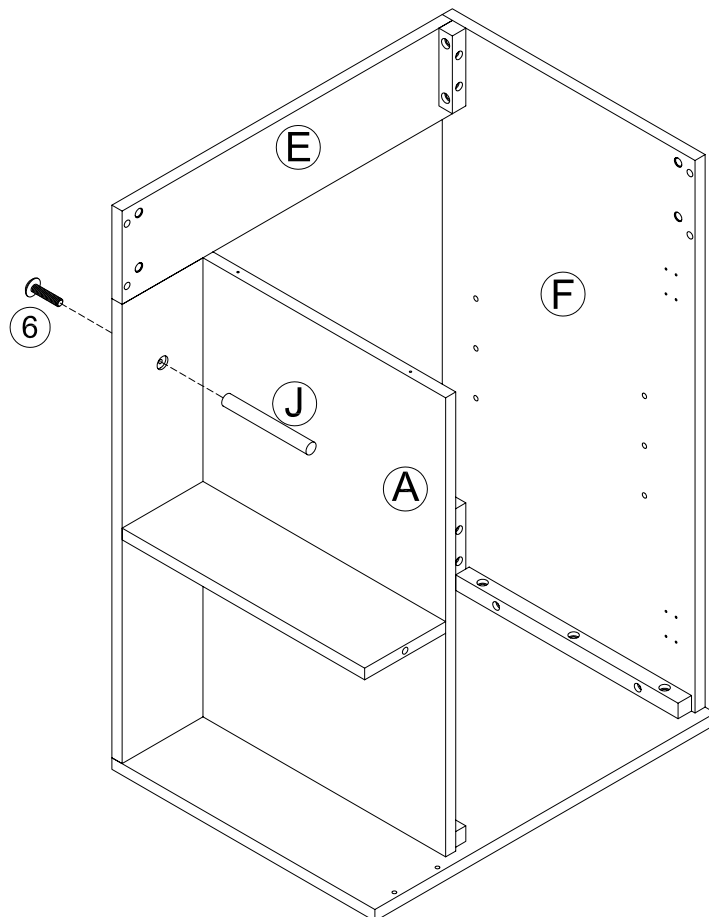
STEP 9

5  2pcs
Ø15x9mm



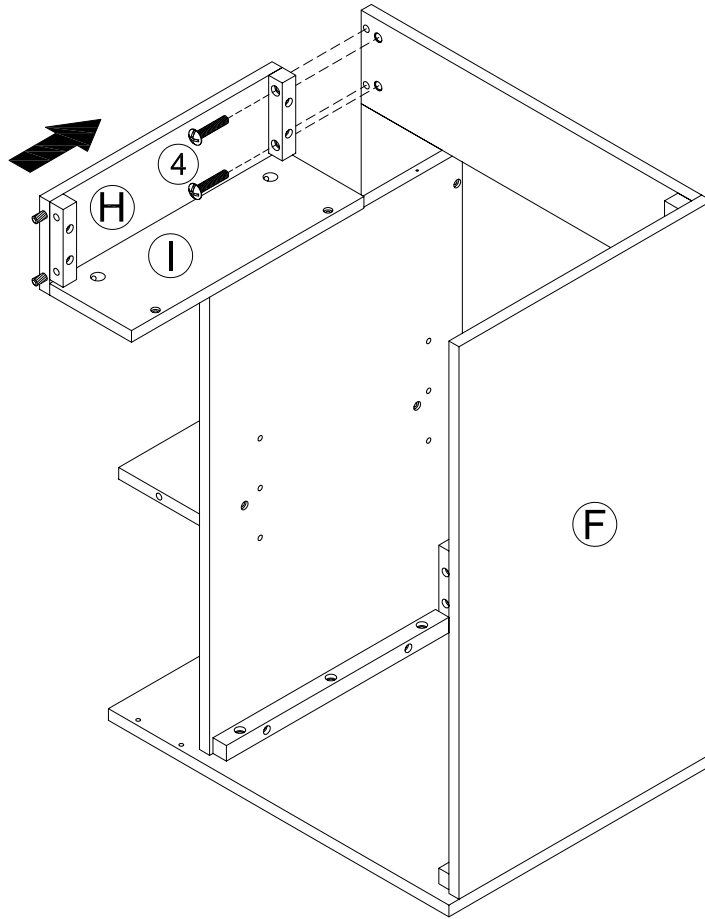
STEP 10

6  1pc
5/32"x18mm




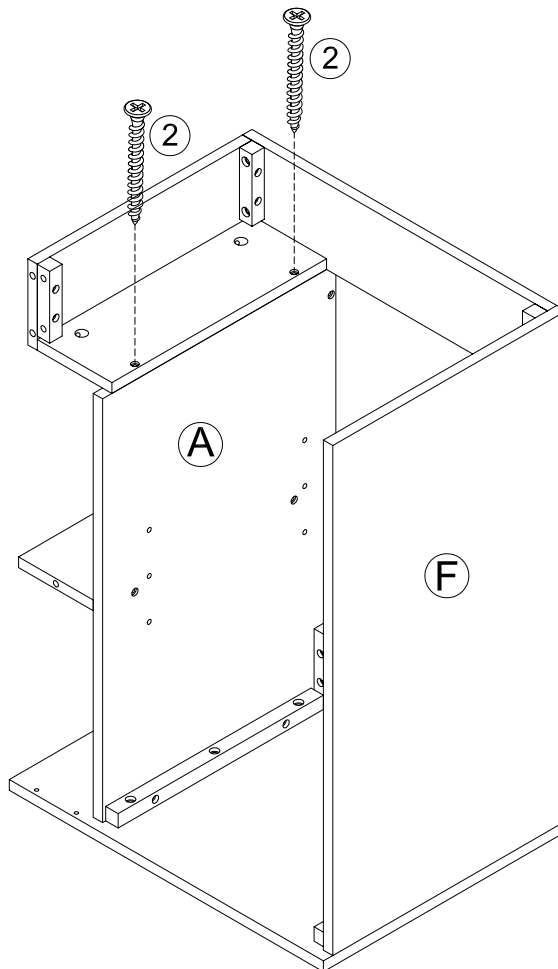
STEP 11

- ④  2pcs
1/4"x25mm

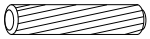


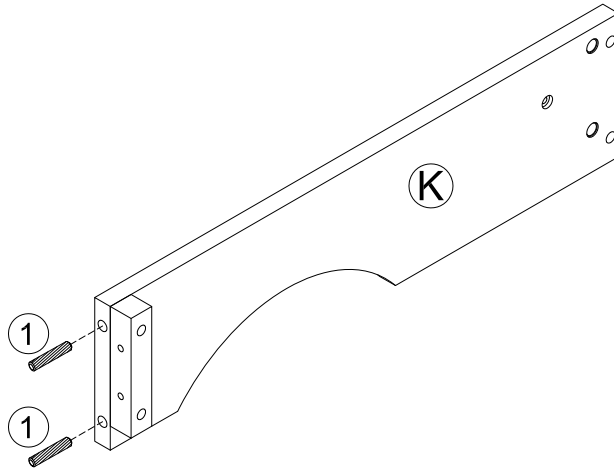
STEP 12

- ②  2pcs
Ø4x35mm



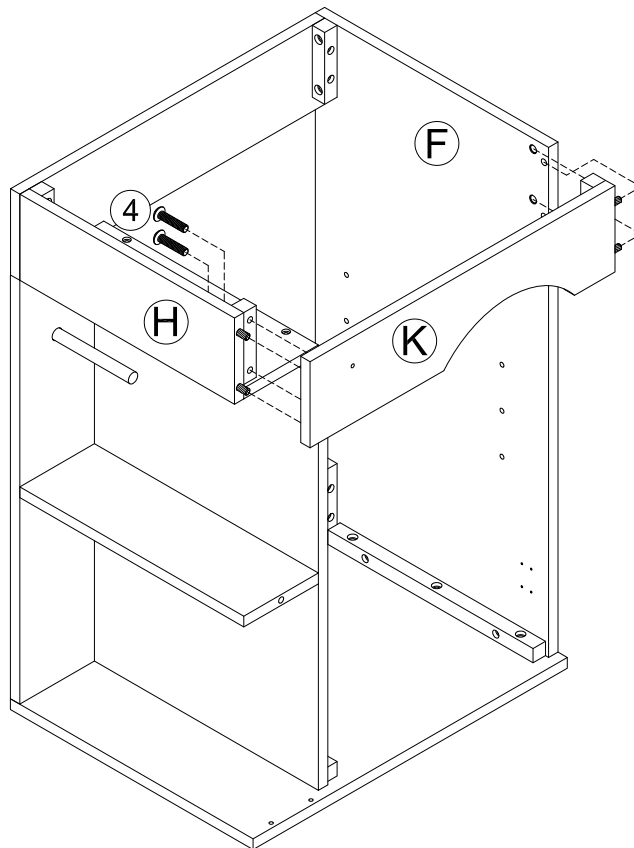
STEP 13

- ①  2pcs
Ø8x30mm



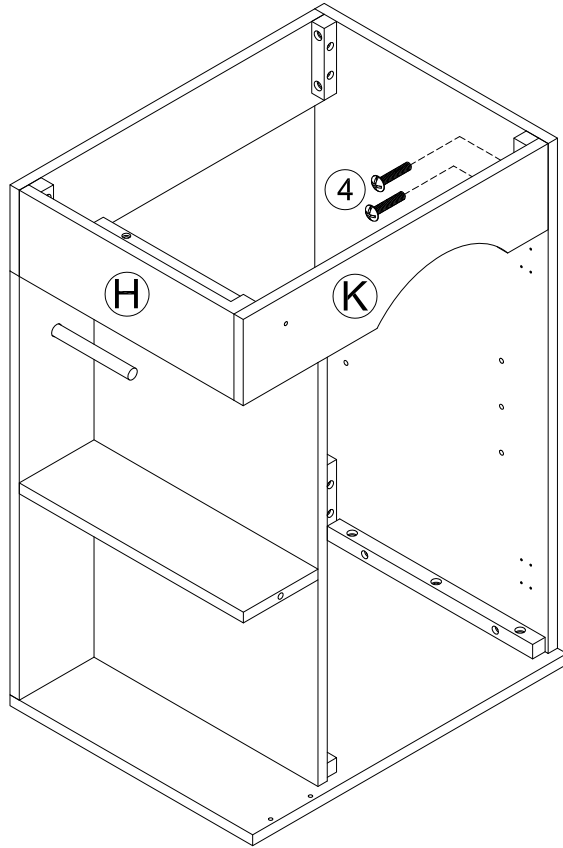
STEP 14

- ④  2pcs
1/4"x25mm




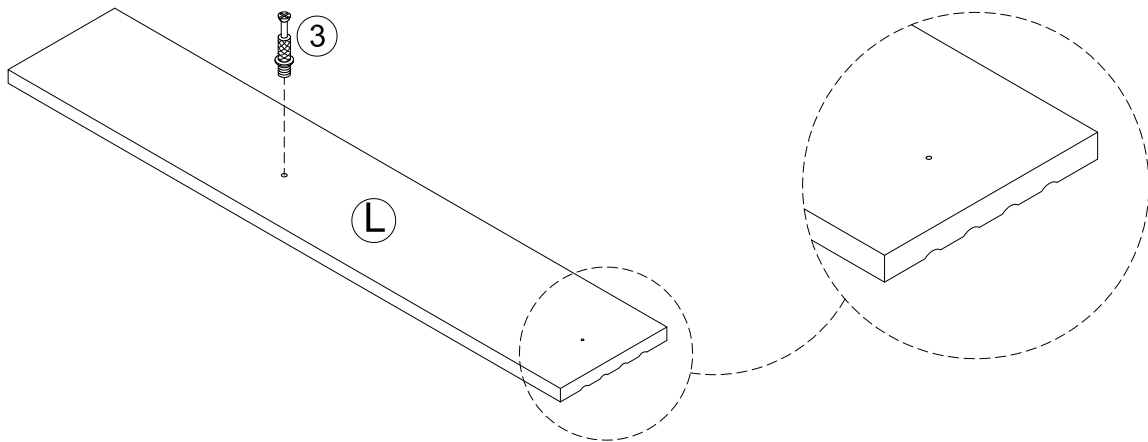
STEP 15

④  2pcs
1/4"x25mm



STEP 16

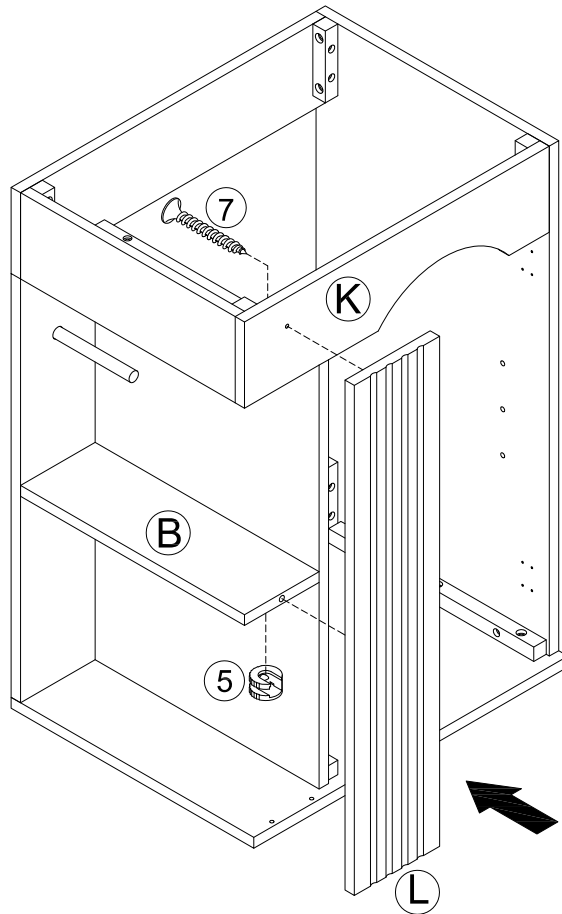
③  1pc
Ø6x33mm



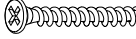
STEP 17

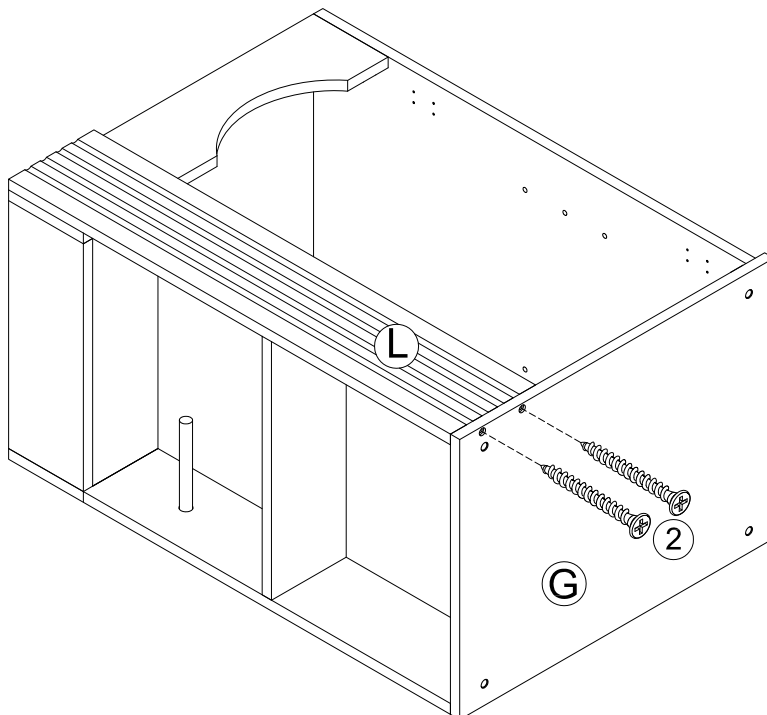
⑦  1pc
Ø4x25mm

⑤  1pc
Ø15x9mm

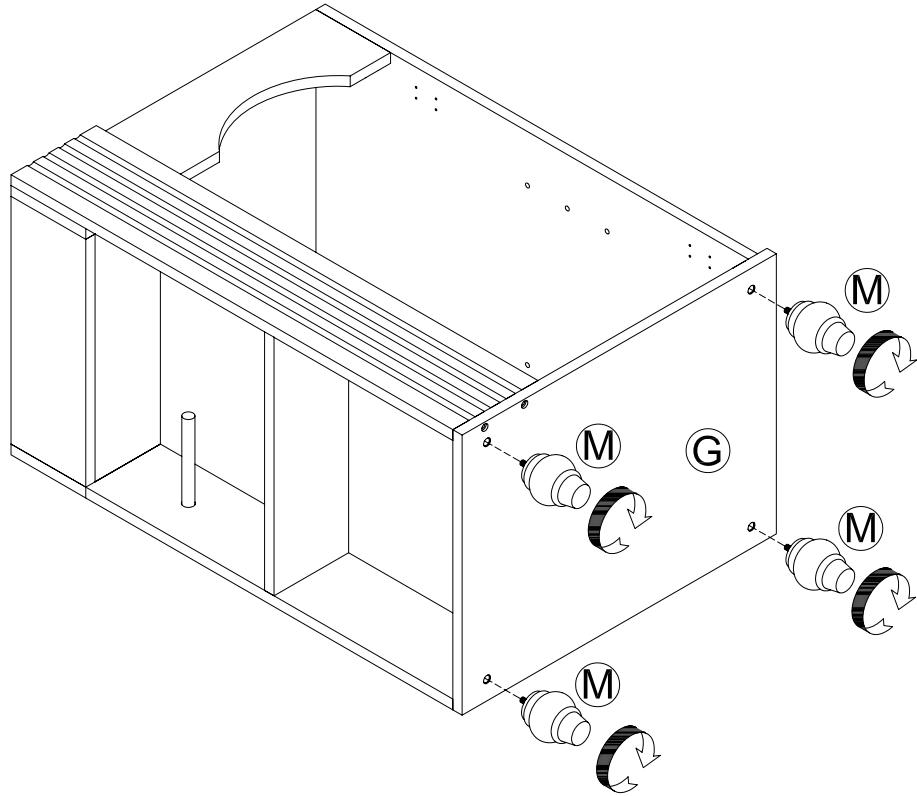


STEP 18

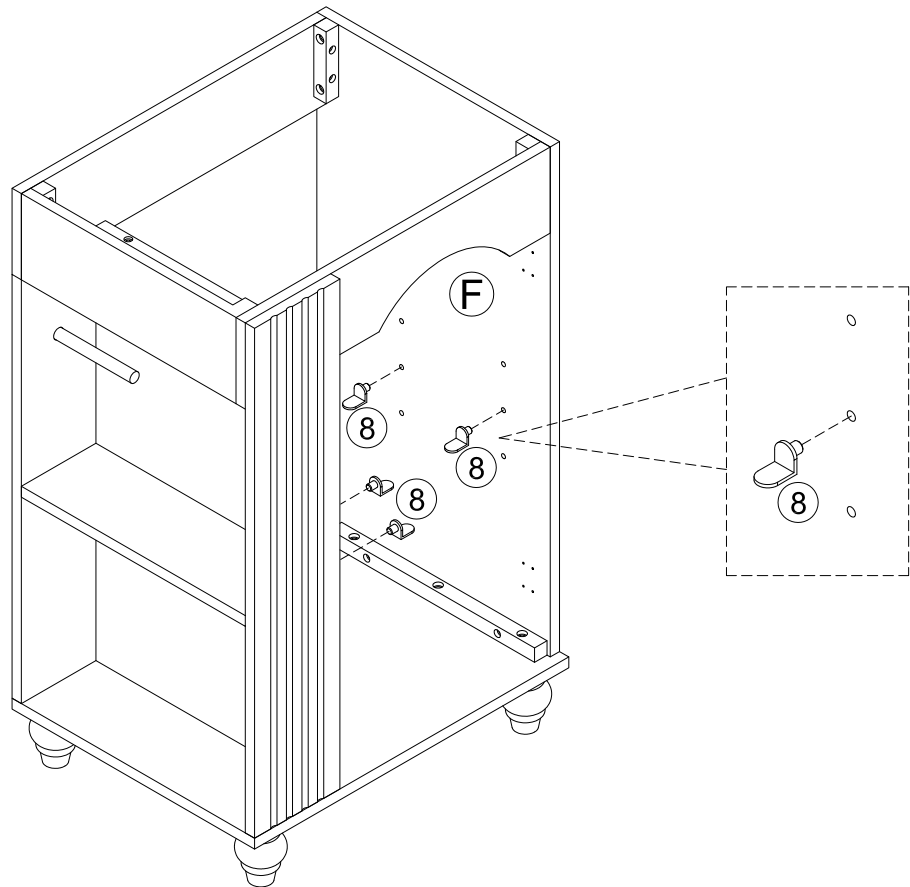
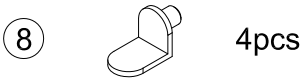
②  2pcs
Ø4x35mm



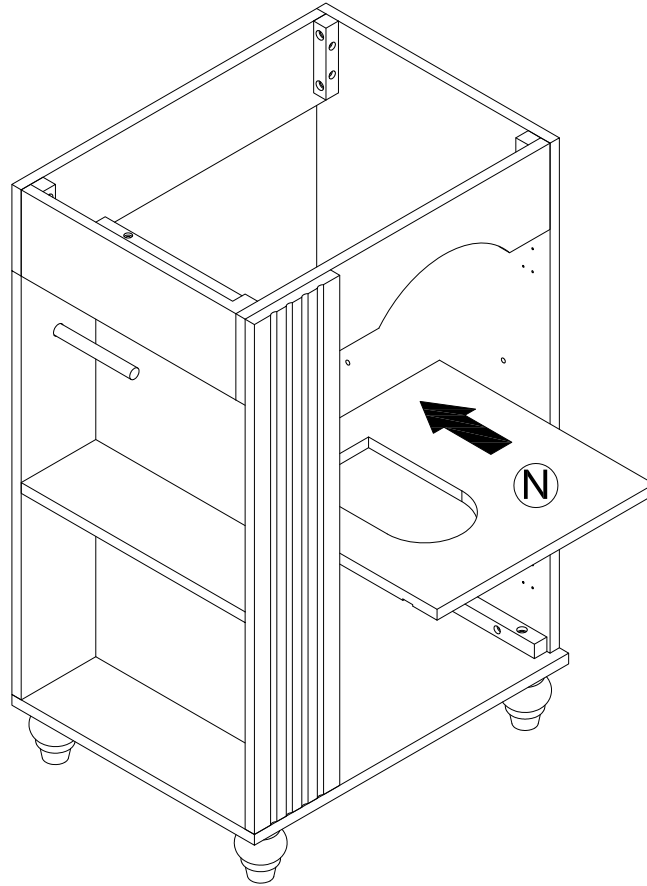
STEP 19



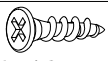
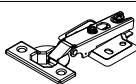
STEP 20

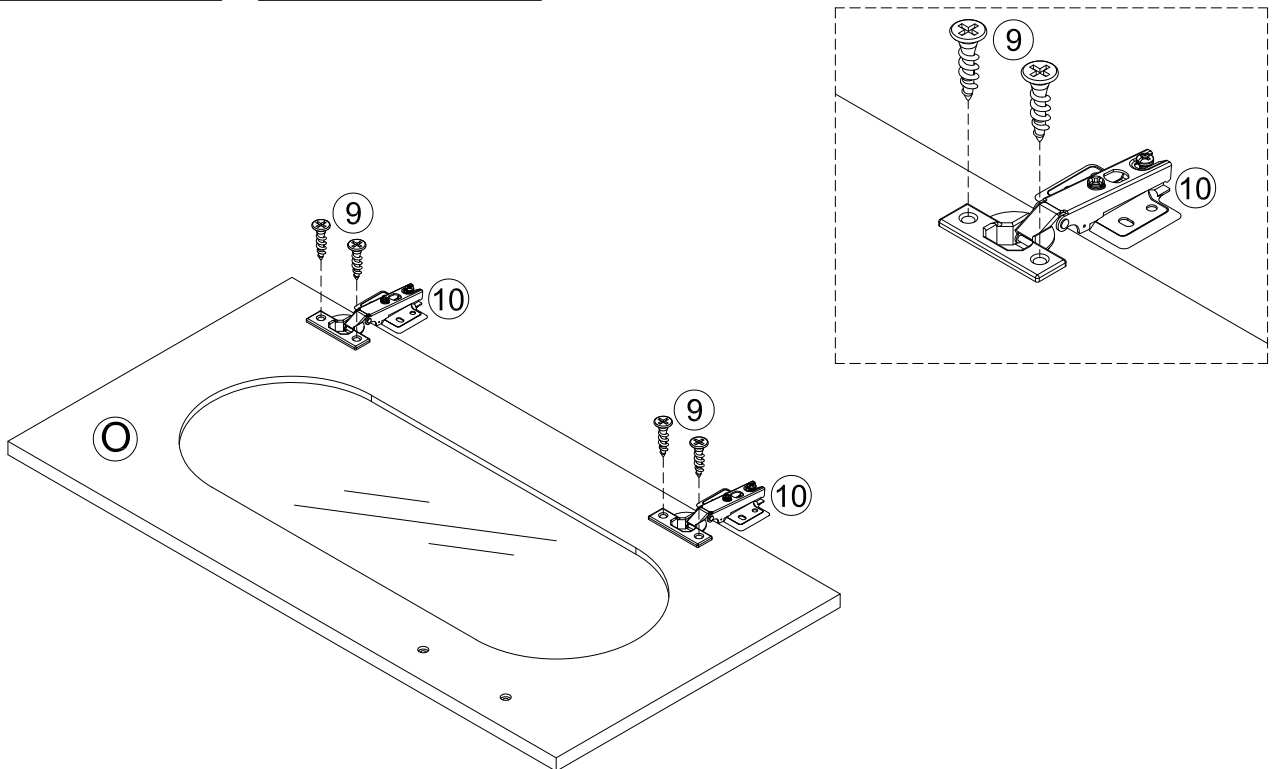


STEP 21



STEP 22

- ⑨  4pcs $\varnothing 4 \times 12 \text{mm}$ ⑩  2pcs

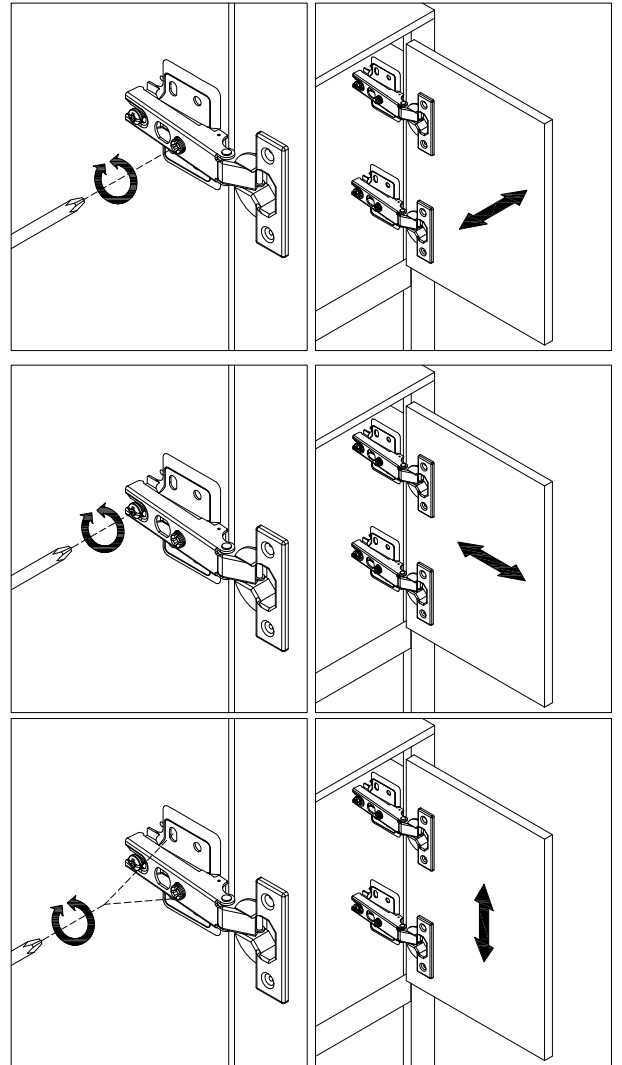
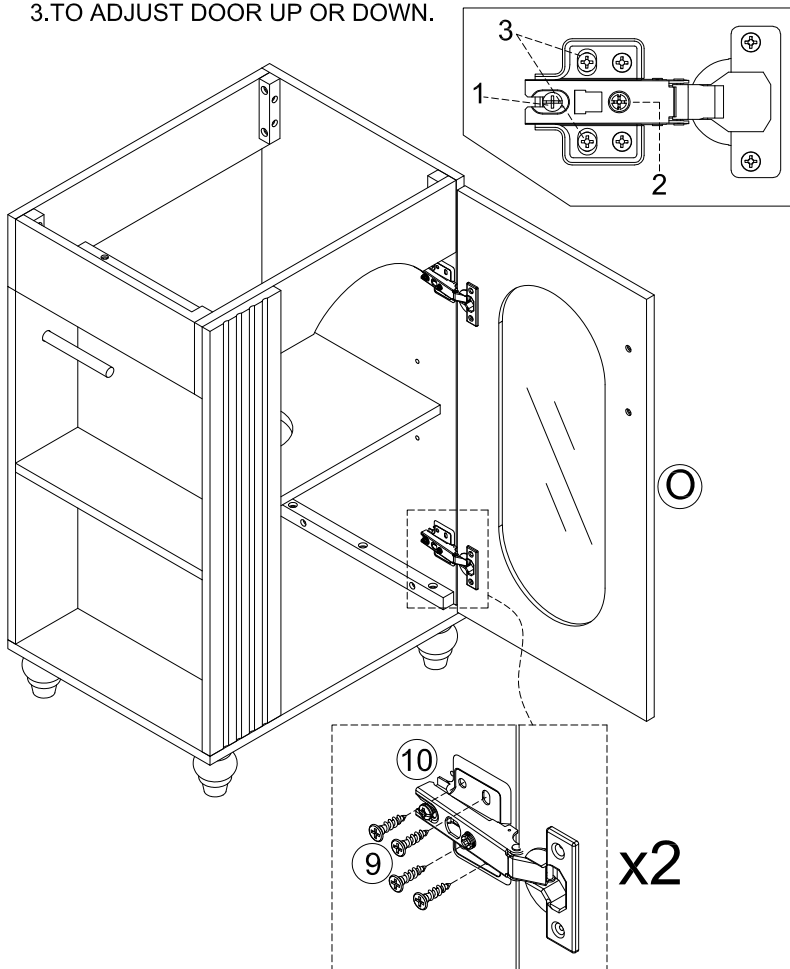


STEP 23

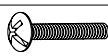
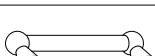
9  8pcs
Ø4x12mm

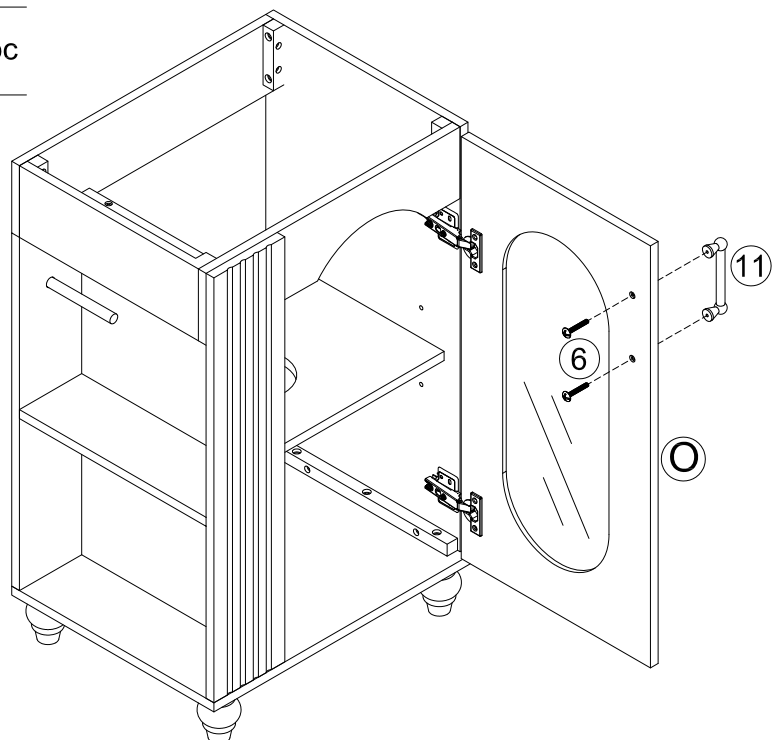
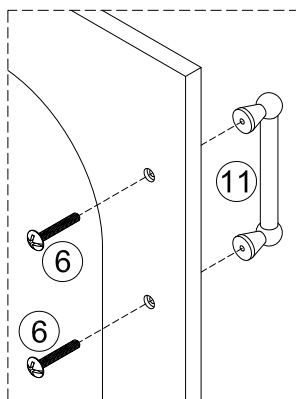
Three-way adjustable hinge for perfectly aligned doors

1. TO ADJUST DOOR FORWARD OR BACKWARD.
2. TO ADJUST DOOR TO RIGHT OR TO LEFT.
3. TO ADJUST DOOR UP OR DOWN.

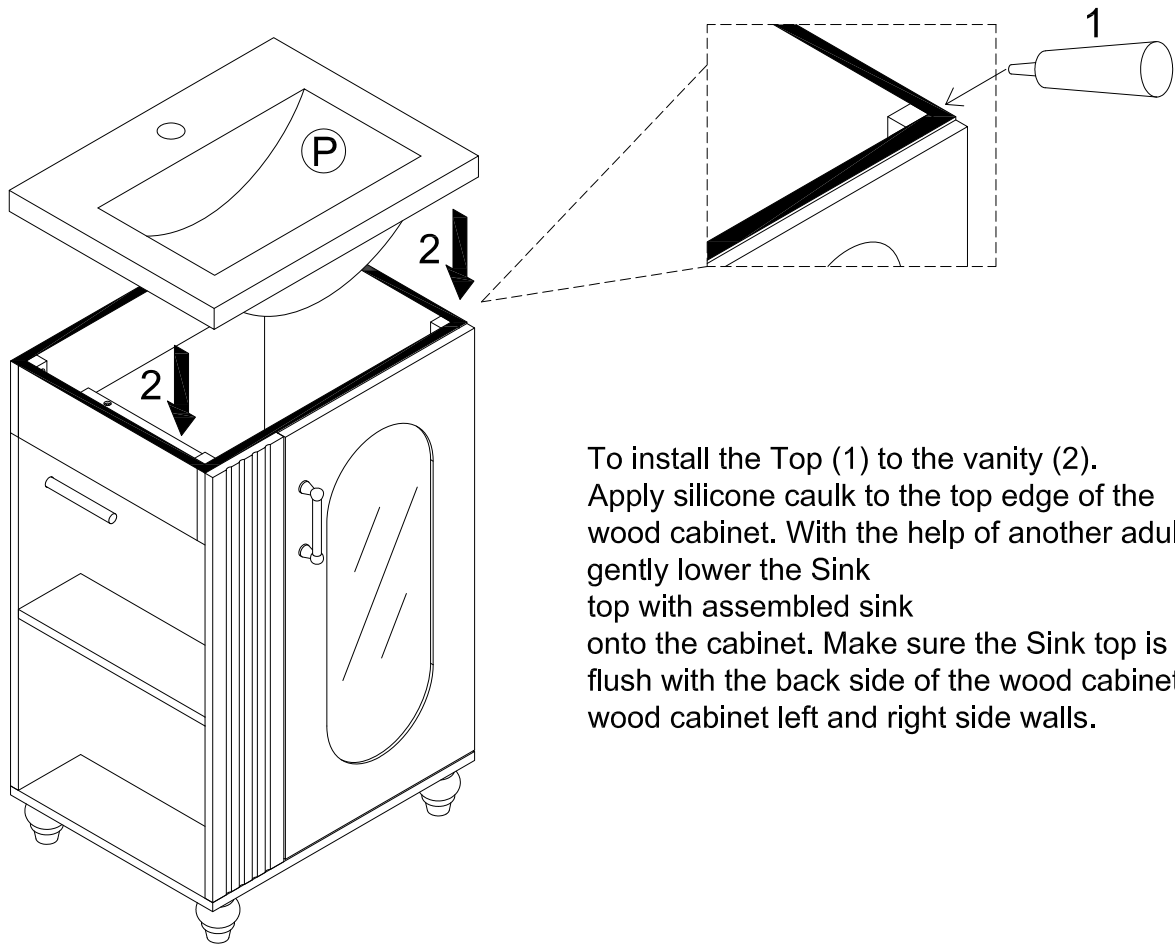


STEP 24

6  2pcs 11  1pc
5/32"x18mm



STEP 25



To install the Top (1) to the vanity (2). Apply silicone caulk to the top edge of the wood cabinet. With the help of another adult, gently lower the Sink top with assembled sink onto the cabinet. Make sure the Sink top is flush with the back side of the wood cabinet and the wood cabinet left and right side walls.

STEP 26

