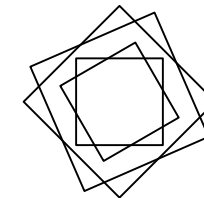
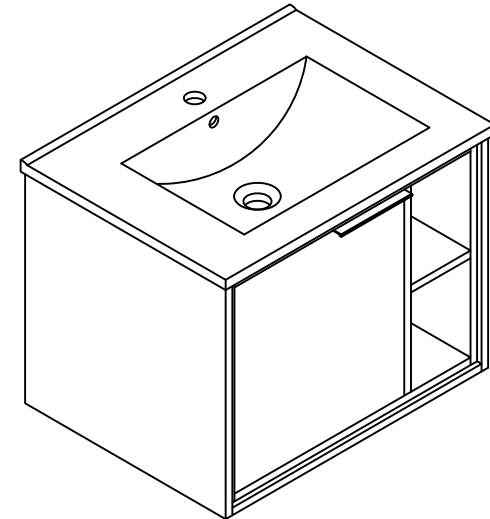


THANKS FOR WATCHING

Your feedback is invaluable to us and we would love to hear about your experience. Please take the time to leave us a review.



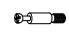
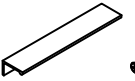




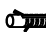



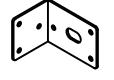


Thank you for shopping with us!

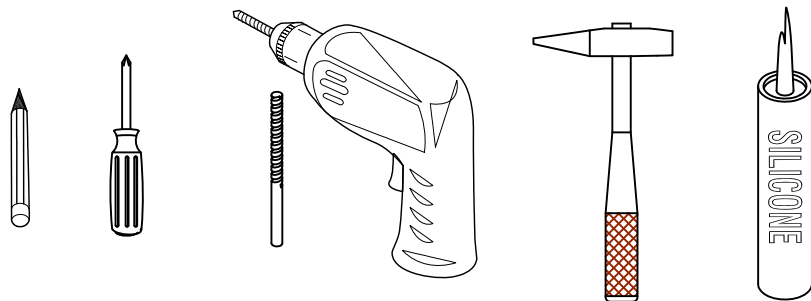
We encourage you to take a few minutes to go through this booklet. It contains important information on installation and care tips to keep your furniture looking as good as new.

Item NO.:BV C07824

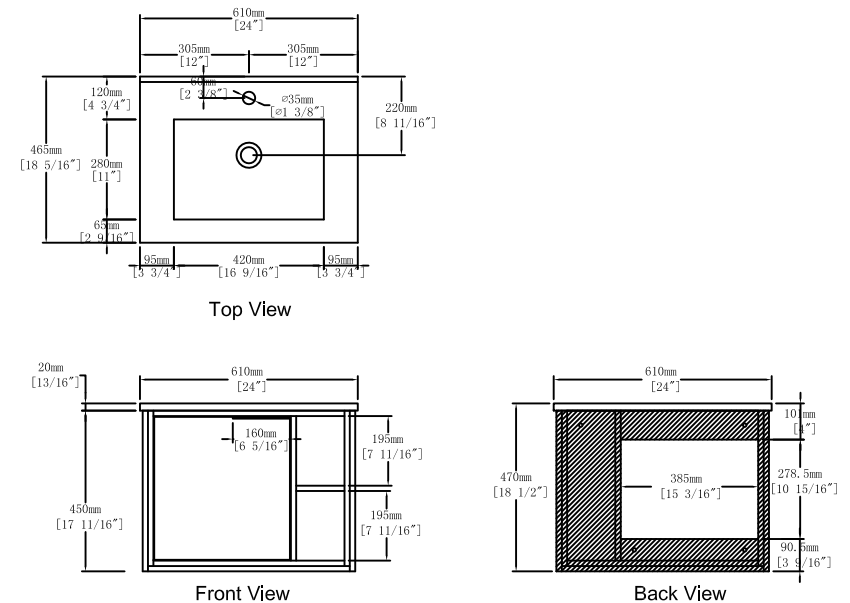
Hardware

NO.	Draw	QTY	NO.	Draw	QTY
A	 Screws Ø4x14mm	24	H	 Hinges (Internal hiding)	2
B	 Two-in-one connector	33	I	 Handle (Screws Ø4x14mm)	1
C	 Two-in-one connector	33	J	 Screws Ø4x25mm	4
D	 Wood plug	9	K	 Door stopper	1
E	 Plastic anchor(Ø10mm)	4	L	 Anti-collision gasket	2
F	 Screws for fix on the wall	4	M	 Screwdriver	1
G	 Bracket (53x70x44mm)	2			

Recommended tools

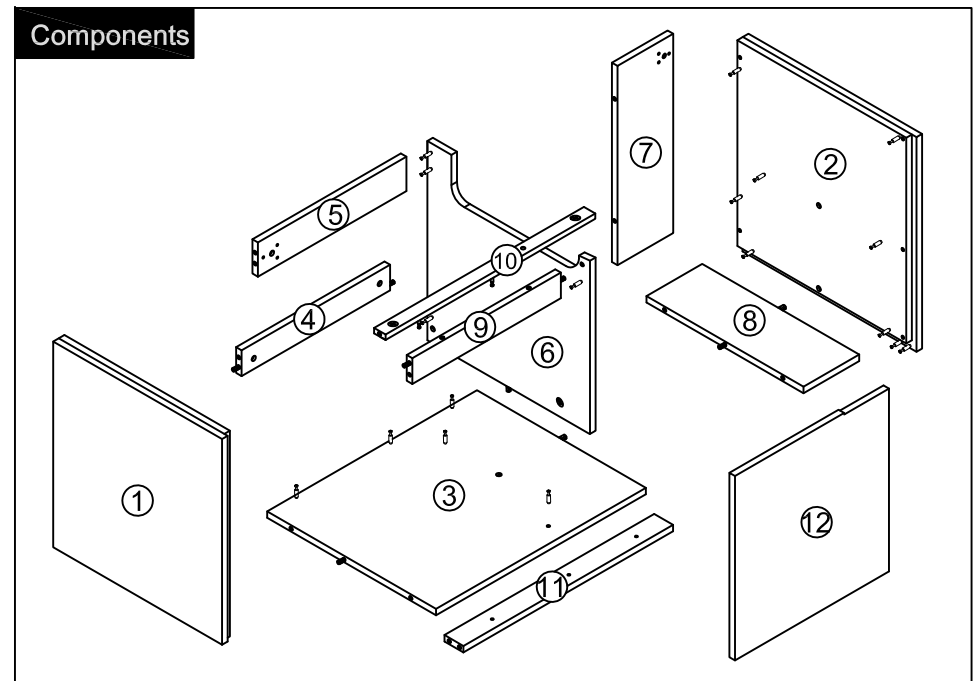
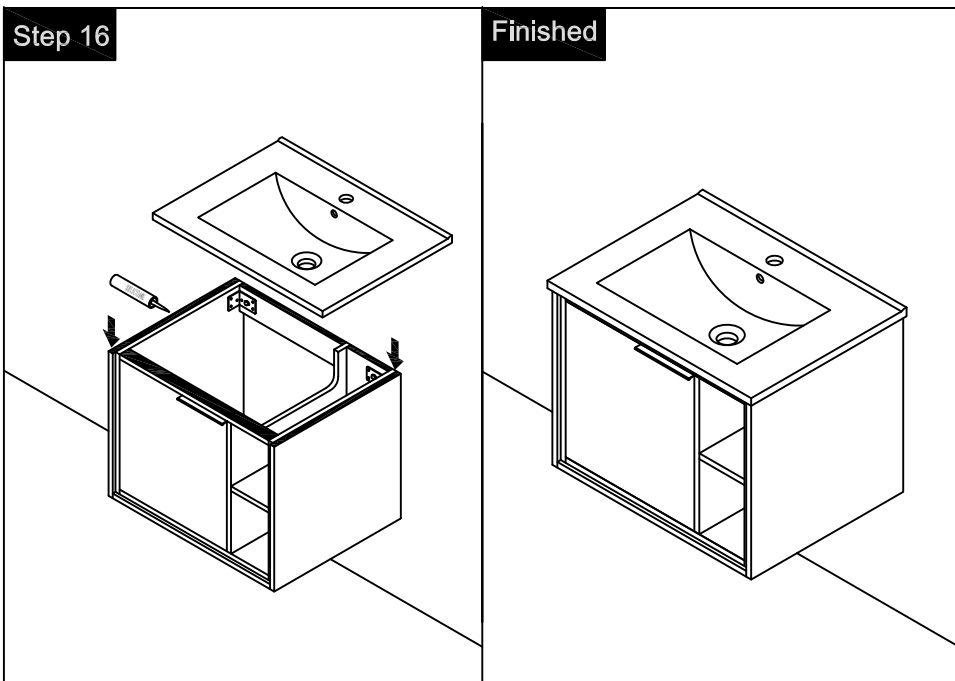
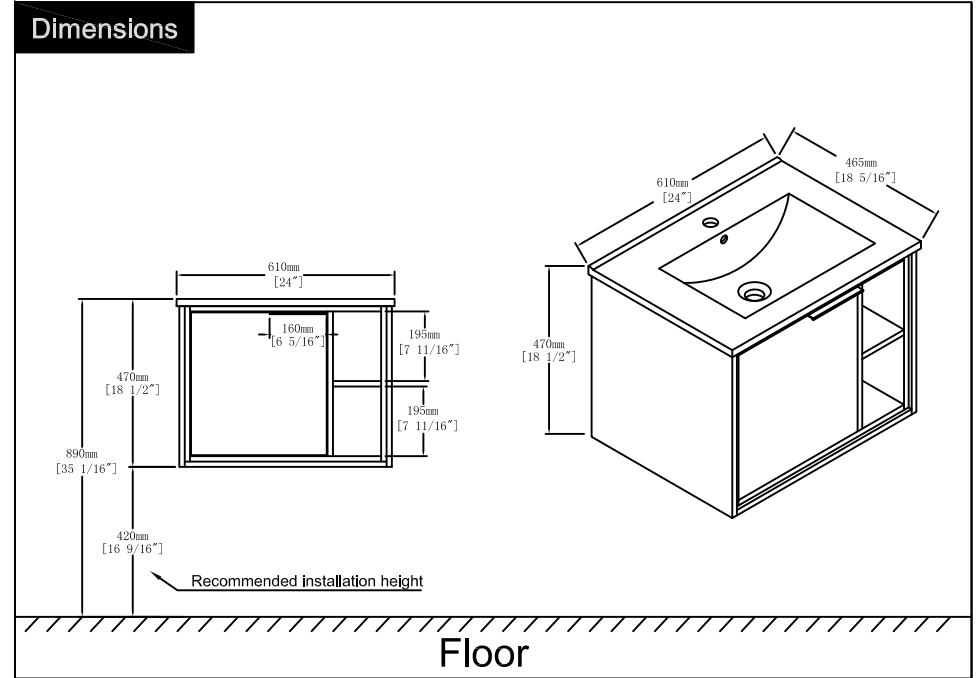
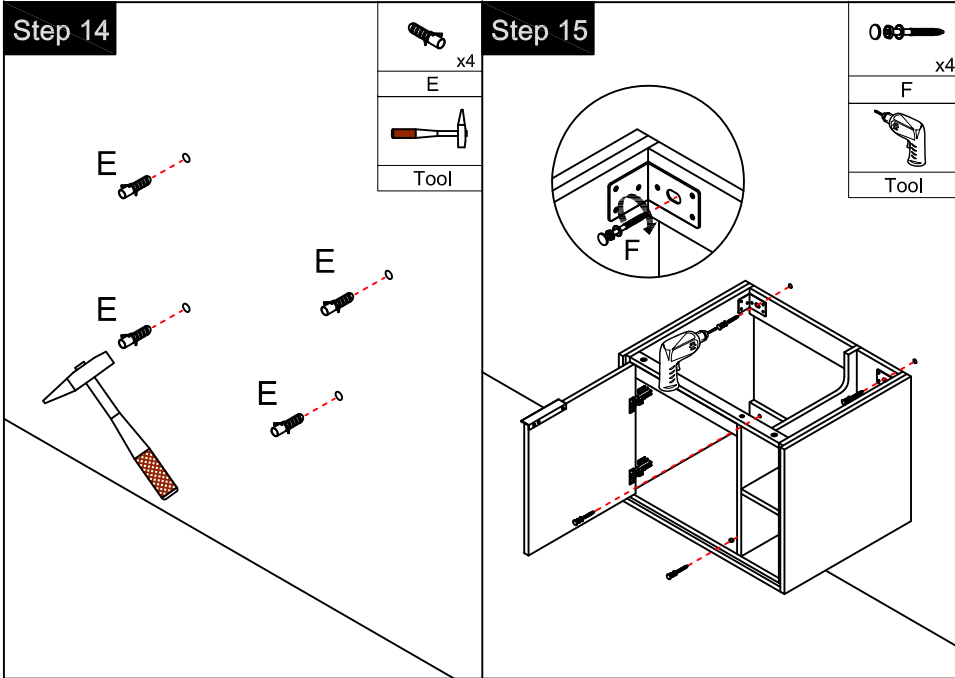


Dimensions



CARE CLEANING AND MAINTENANCE

1. Dust regularly with a soft , dry cloth.
2. Avoid the use of all chemicals household cleaners, abrasives, or cleaners that contain lemon, vinegar, or other acids that may damage the finish.
3. Excessive exposure to sunlight and extreme changes in temperature and moisture can damage wood furniture.
4. The sink top is resilient, but care needs to be taken to preserve its appearance.
5. Do not place hot appliances, such as curling irons and hot hair dryers directly on the countertop. Wipe spills immediately.



Step 1

Notes: Screw installation depth as shown

Attention: Cam lock arrow point to the steel rod.

- B x2
- C x2
- M x1

Step 2

Note: The D parts are used for this hole

first step second step third step

- B x3
- C x3
- D x1
- M x1

Step 11

You can adjust the doors by tightening or loosening the screws on the hinge.

- H x2
- A (∅4 x 14mm) x12
- L x2
- I x1

Tool

Step 12

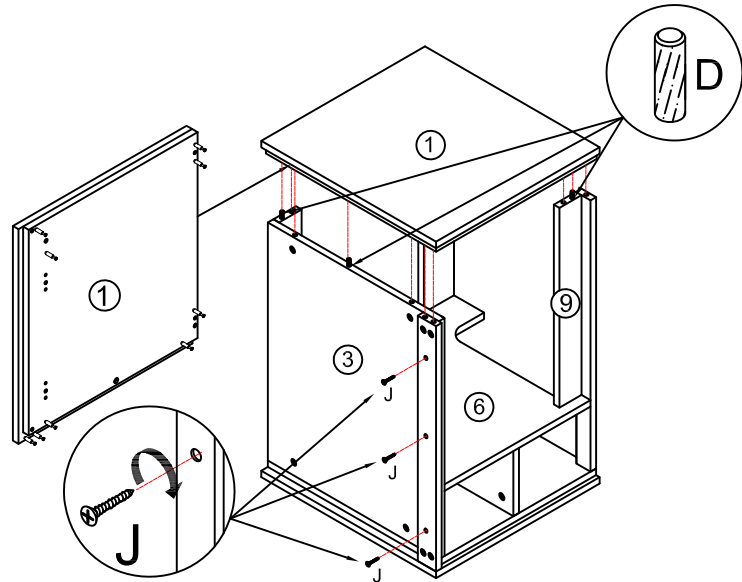
Tool

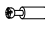

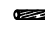



Step 13

Tool

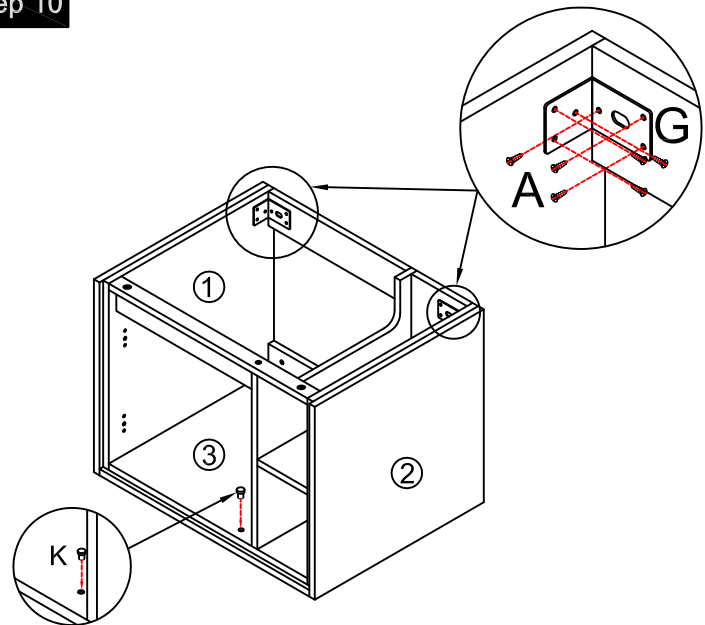
Step 9





Note: The D parts are used for three holes



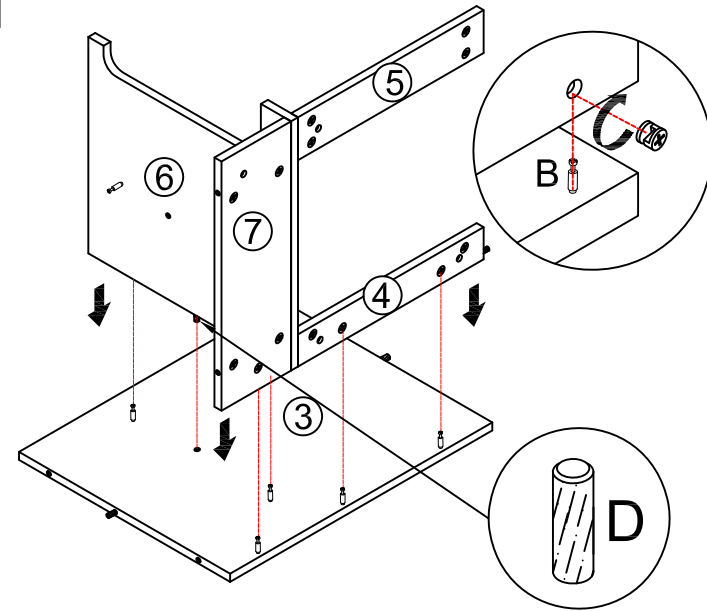
-  x9
- B
-  x9
- C
-  x3
- D
- (∅4 x 25mm)
-  x3
- J
-  x1
- M
- 
- Tool

Step 10

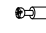

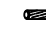



-  x2
- G
- (∅4 x 14mm)
-  x12
- A
-  x1
- K
- 
- Tool

Step 3

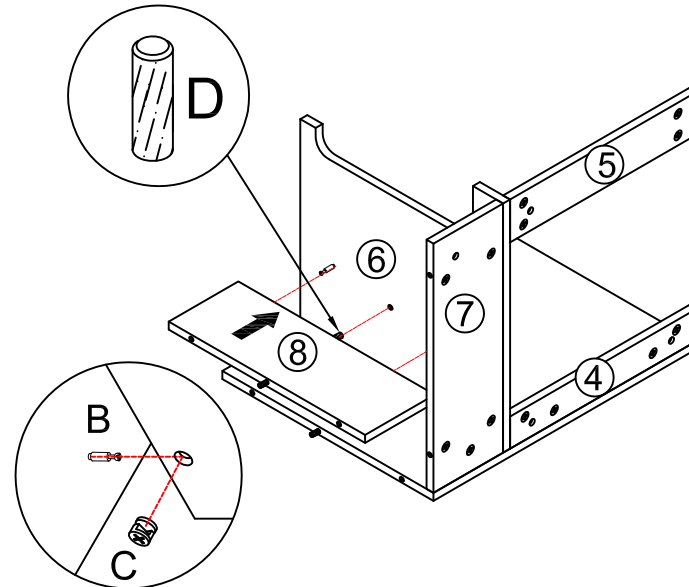


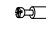



Note: The D parts are used for this hole

-  x5
- B
-  x5
- C
-  x1
- D
-  x1
- M

Step 4

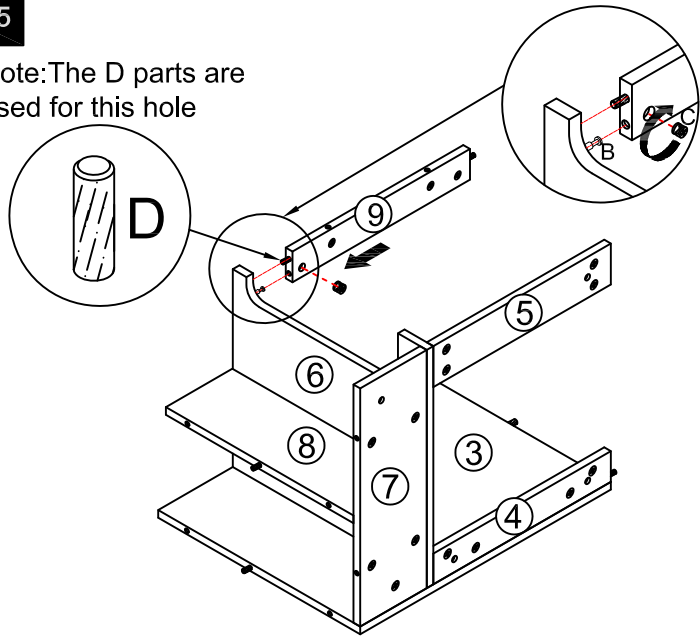
Note: The D parts are used for this hole



-  x2
- B
-  x2
- C
-  x1
- D
-  x1
- M

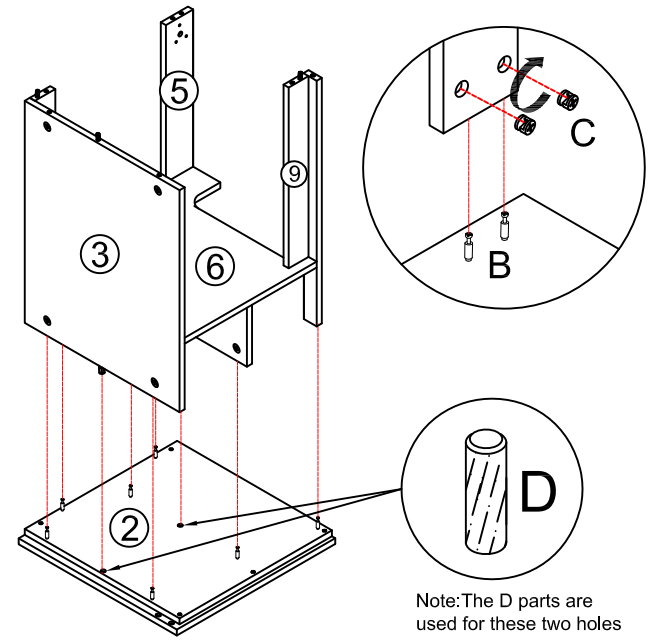
Step 5

Note: The D parts are used for this hole



	x1
B	
	x1
C	
	x1
D	
	x1
M	

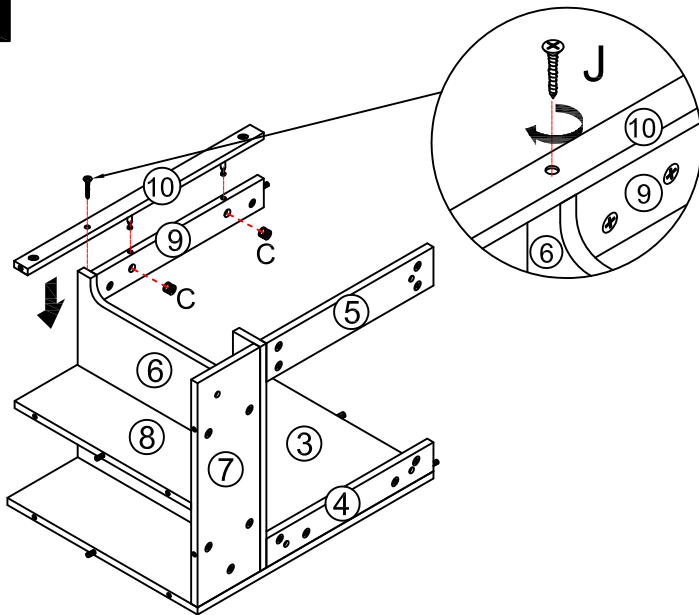
Step 7



Note: The D parts are used for these two holes

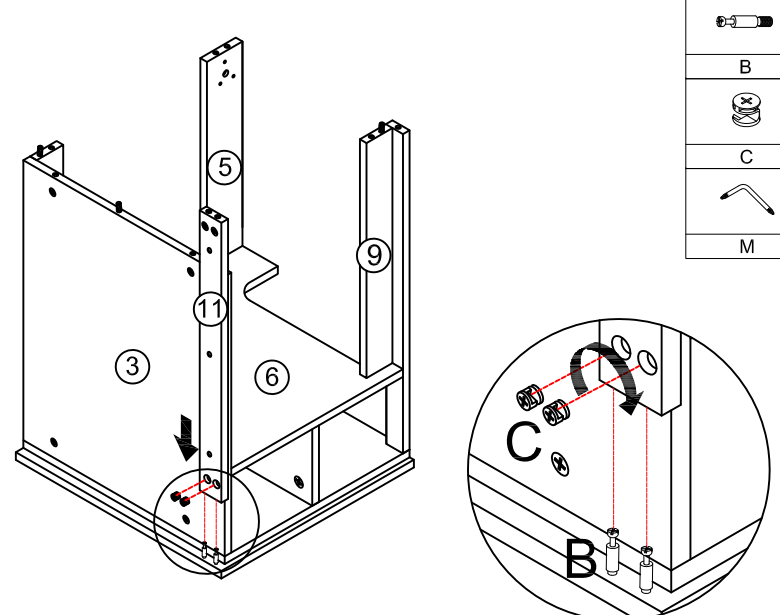
	x7
B	
	x7
C	
	x2
D	
	x1
M	

Step 6



	x2
B	
	x2
C	
	x1
J	
	x1
M	
	Tool

Step 8



	x2
B	
	x2
C	
	x1
M	