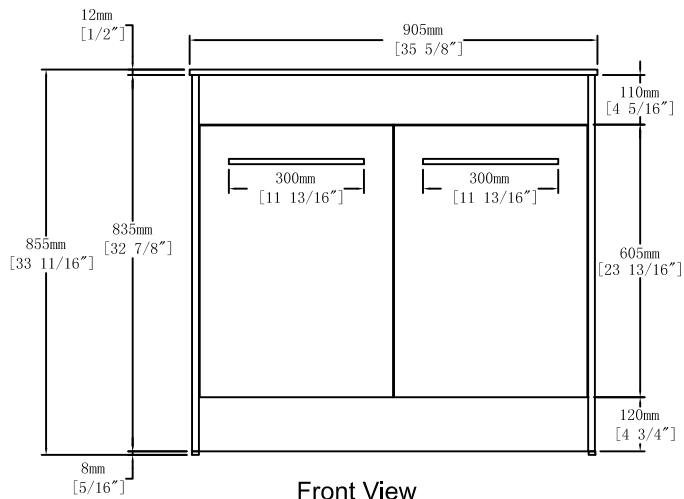
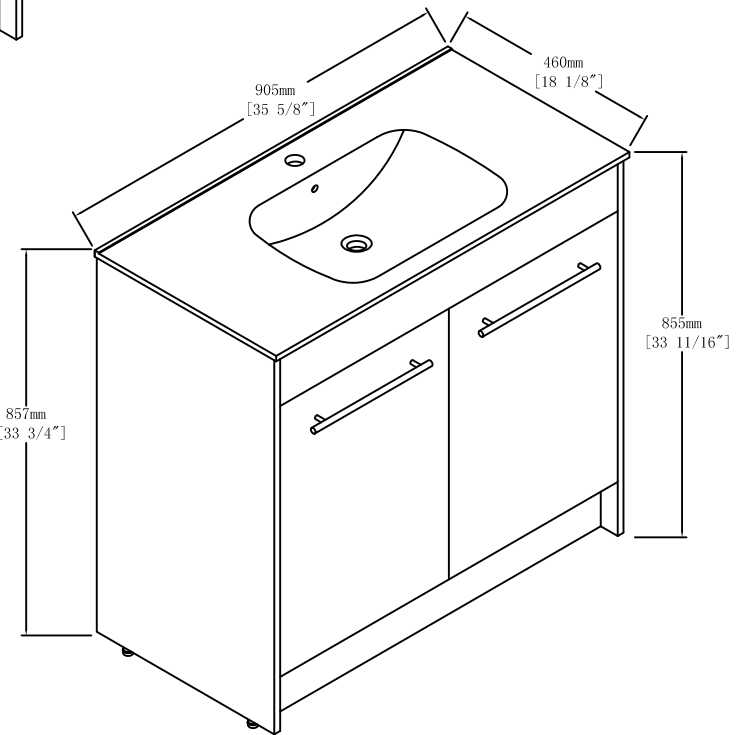
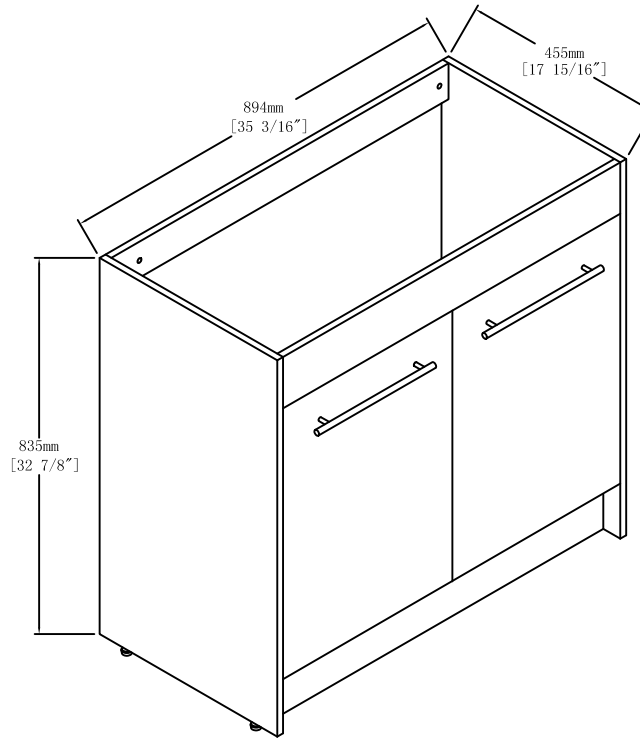
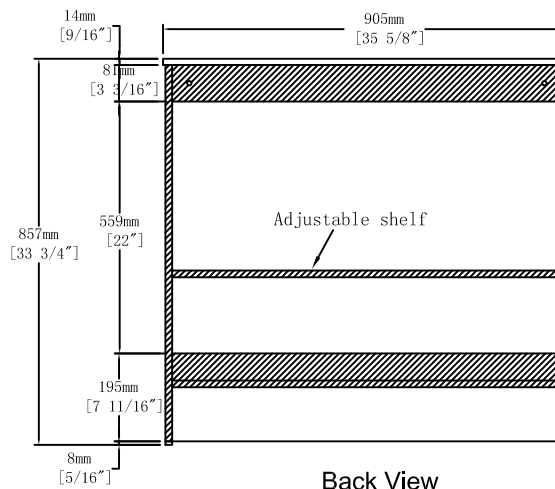


Top View



Front View



Back View



Item NO.

BV C04836

Version

V1

Projece

Date

2022-12-19