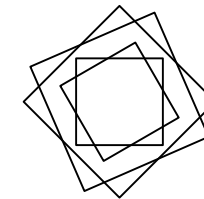
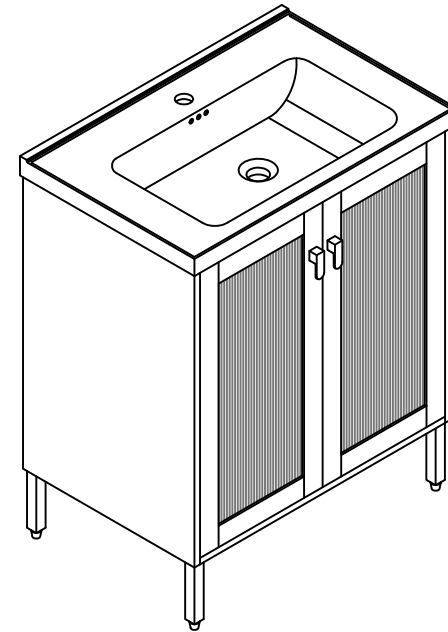


Installation Manual- BV B08328
BV B08332

**MOTIVATE
YOUR LIFE !**

THANKS FOR WATCHING

Your feedback is invaluable to us and we would love to hear about your experience. Please take the time to leave us a review.



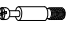

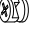

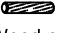

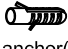

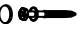




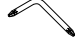



Thank you for shopping with us!

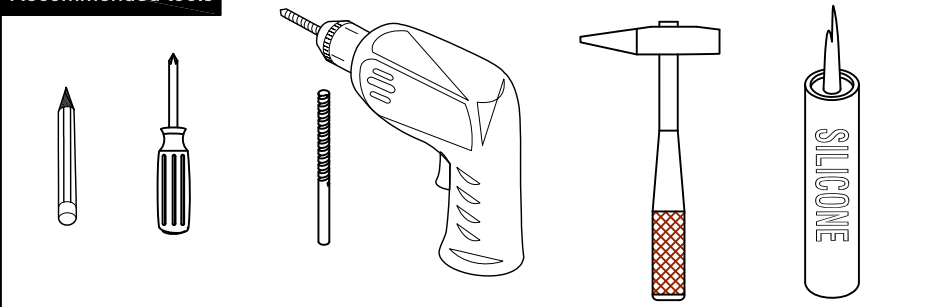
We encourage you to take a few minutes to go through this booklet. It contains important information on installation and care tips to keep your furniture looking as good as new.

Item NO.:BV B08328 / BV B08332

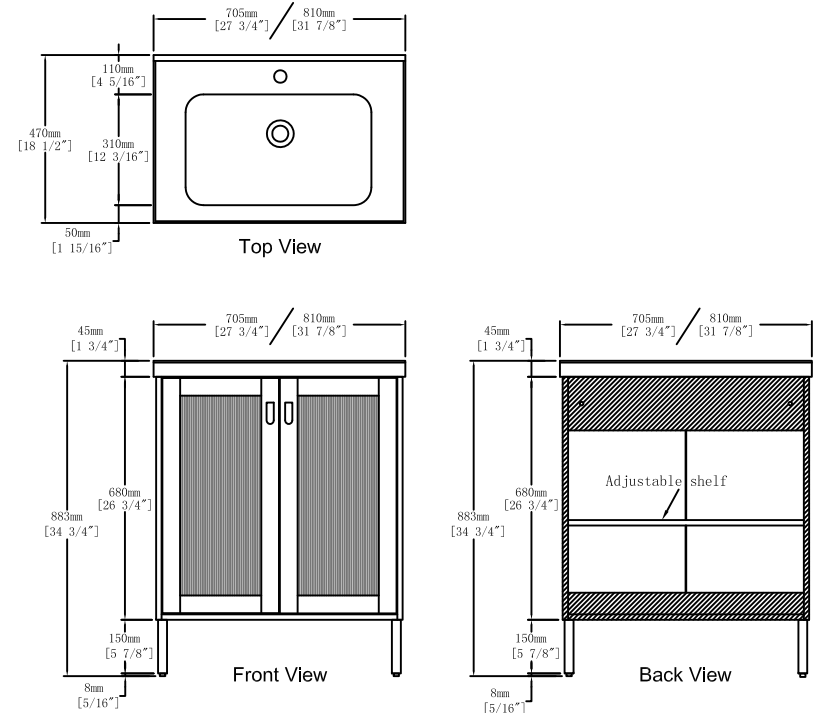
Hardware

NO.	Draw	QTY	NO.	Draw	QTY
A	 Screws Ø4x14mm	44	J	 Hinges (Internal hiding)	4
B	 Two-in-one connector	15	K	 Handle	2
C	 Two-in-one connector	15	L	 Screws (M4x22mm)	4
D	 Wood plug	4	M	 Feet	4
E	 Plastic anchor(Ø10mm)	2	N	 Screws M4x14mm	16
F	 Screws for fix on the wall	2	O	 Anti-collision gasket	2
G	 Bracket (53x70x44mm)	2	P	 Movable laminate support	4
H	 Bracket (19x19x35mm)	2	Q	 Screwdriver	1
I	 Door stopper	2			

Recommended tools

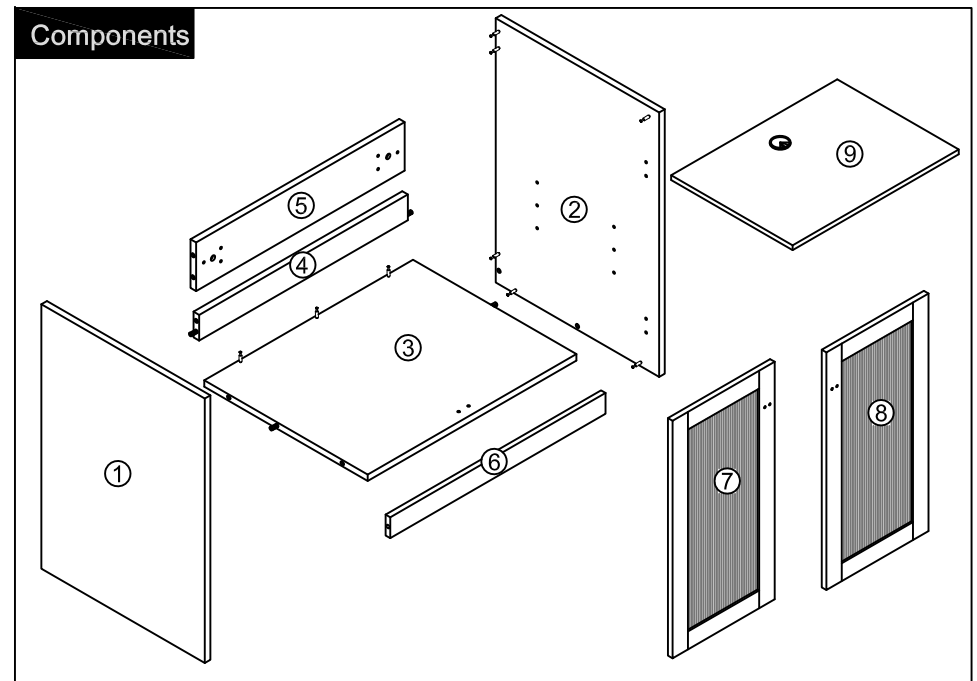
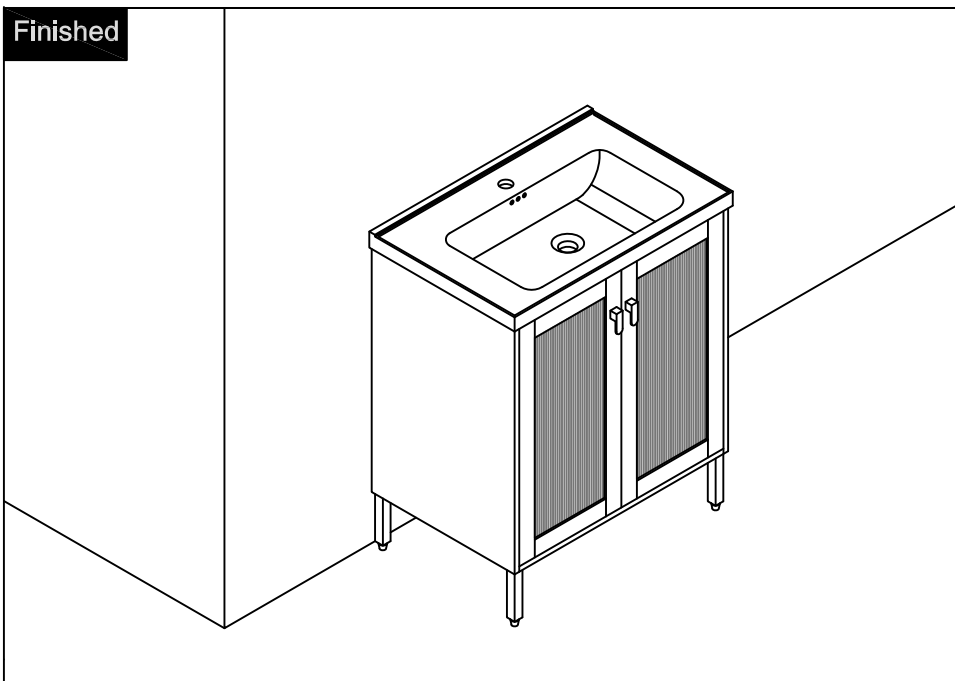
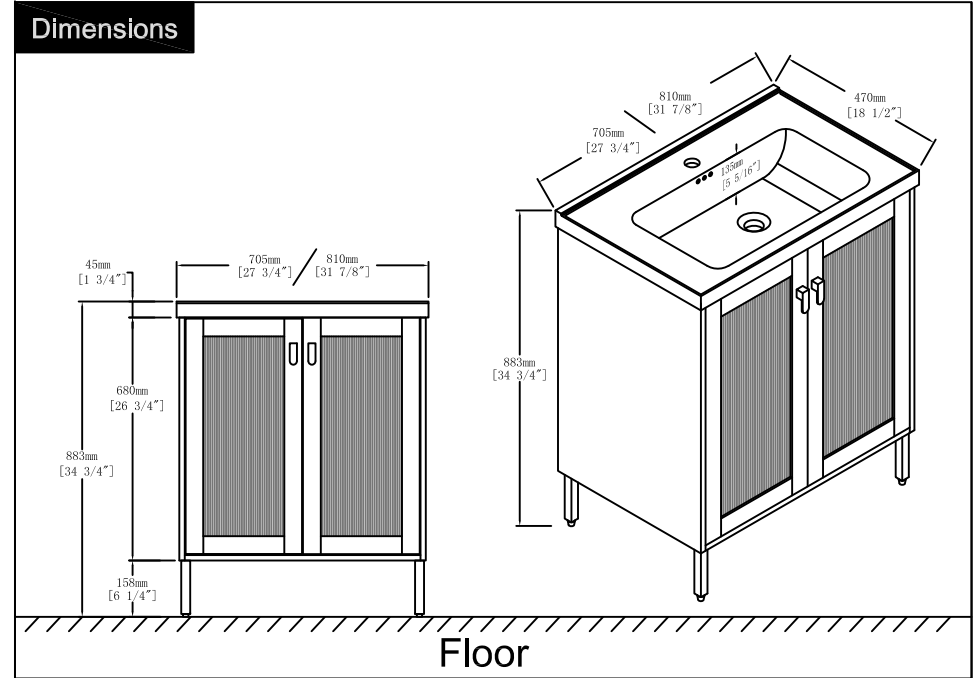
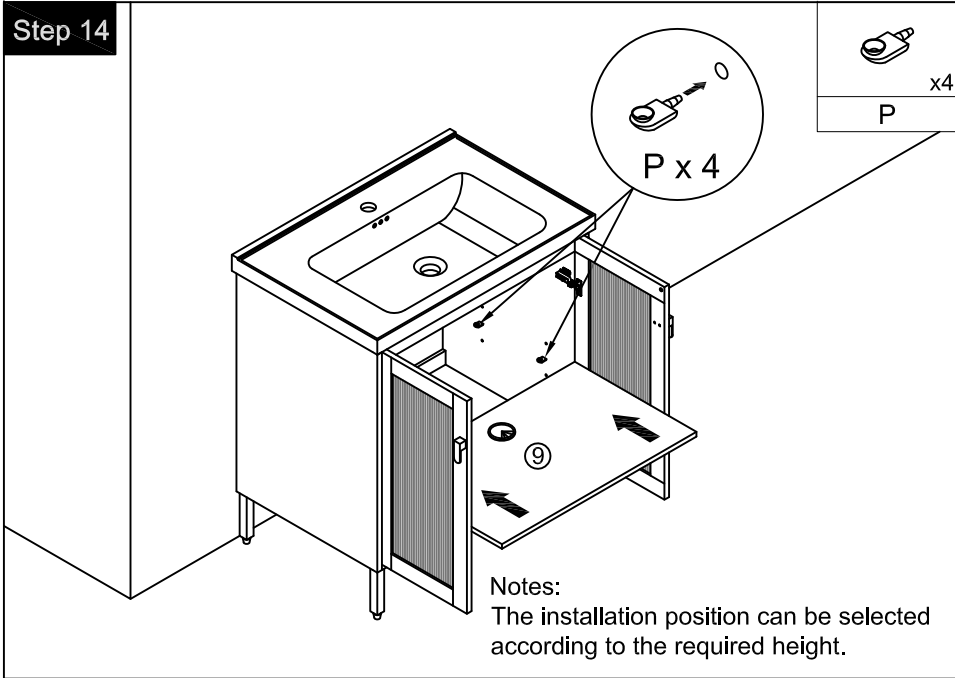


Dimensions

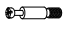

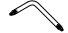


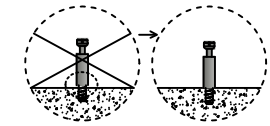
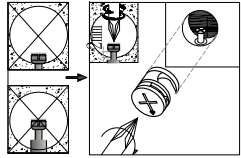
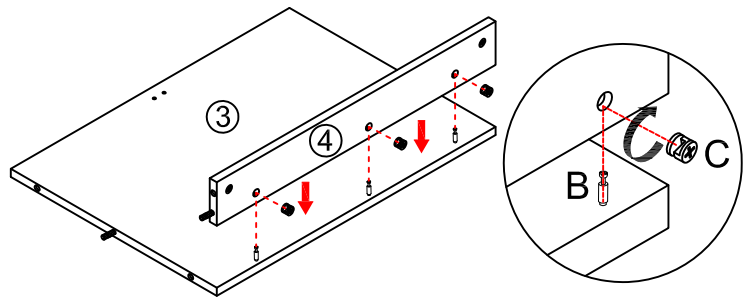
CARE CLEANING AND MAINTENANCE

1. Dust regularly with a soft , dry cloth.
2. Avoid the use of all chemicals household cleaners, abrasives, or cleaners that contain lemon, vinegar, or other acids that may damage the finish.
3. Excessive exposure to sunlight and extreme changes in temperature and moisture can damage wood furniture.
4. The sink top is resilient, but care needs to be taken to preserve its appearance.
5. Do not place hot appliances, such as curling irons and hot hair dryers directly on the countertop. Wipe spills immediately.



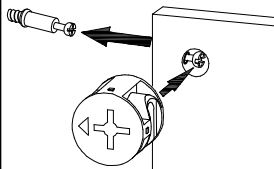
Step 1

-  x3
-  x3
-  x1

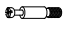


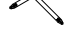


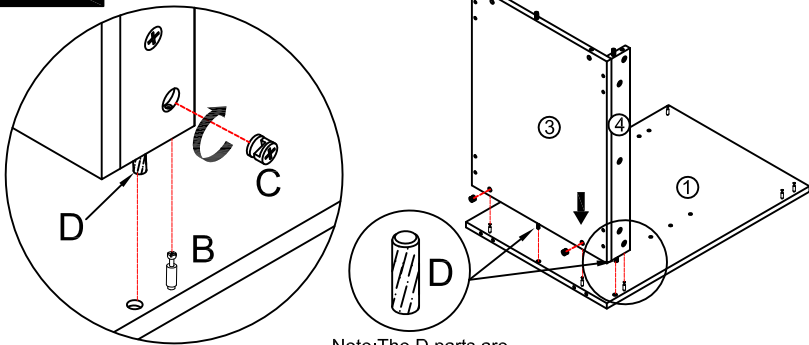
Notes: Screw installation depth as shown

Attention: Cam lock arrow point to the steel rod.

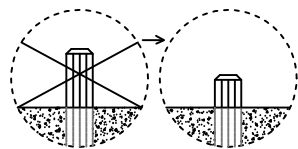


Step 2

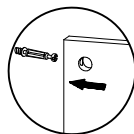
-  x3
-  x3
-  x2
-  x1



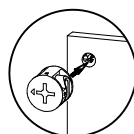
Note: The D parts are used for these two holes



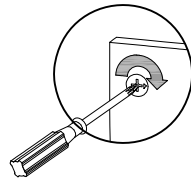
first step



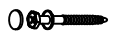

second step

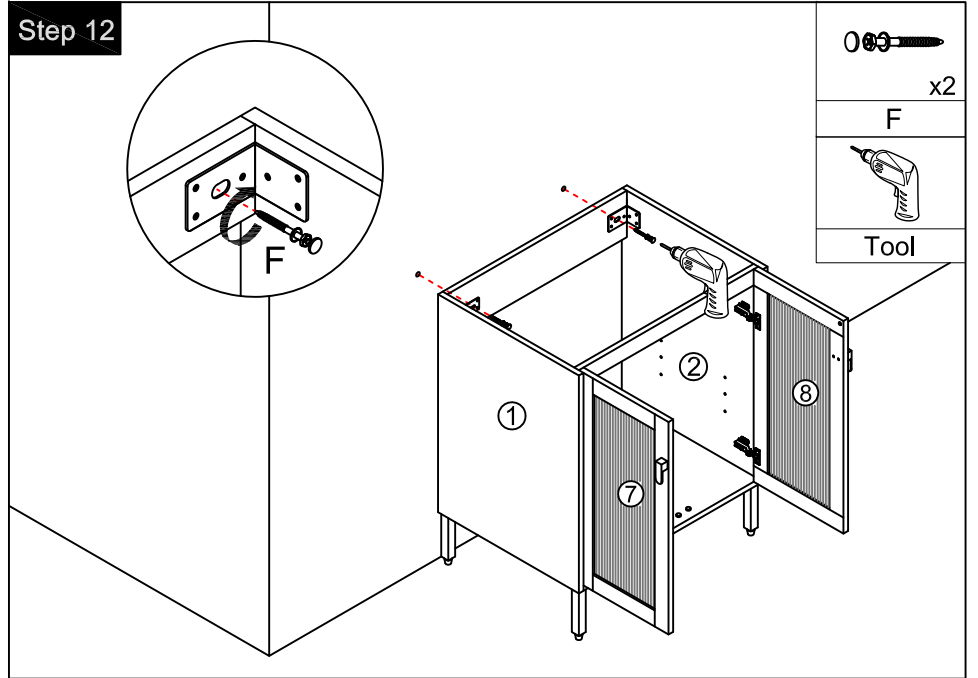


third step

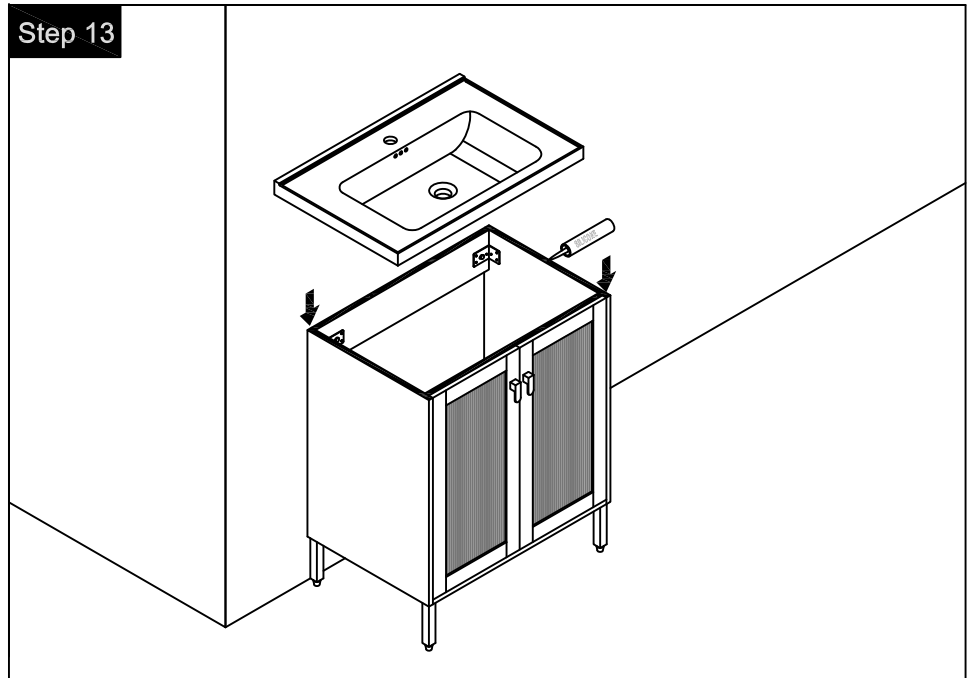


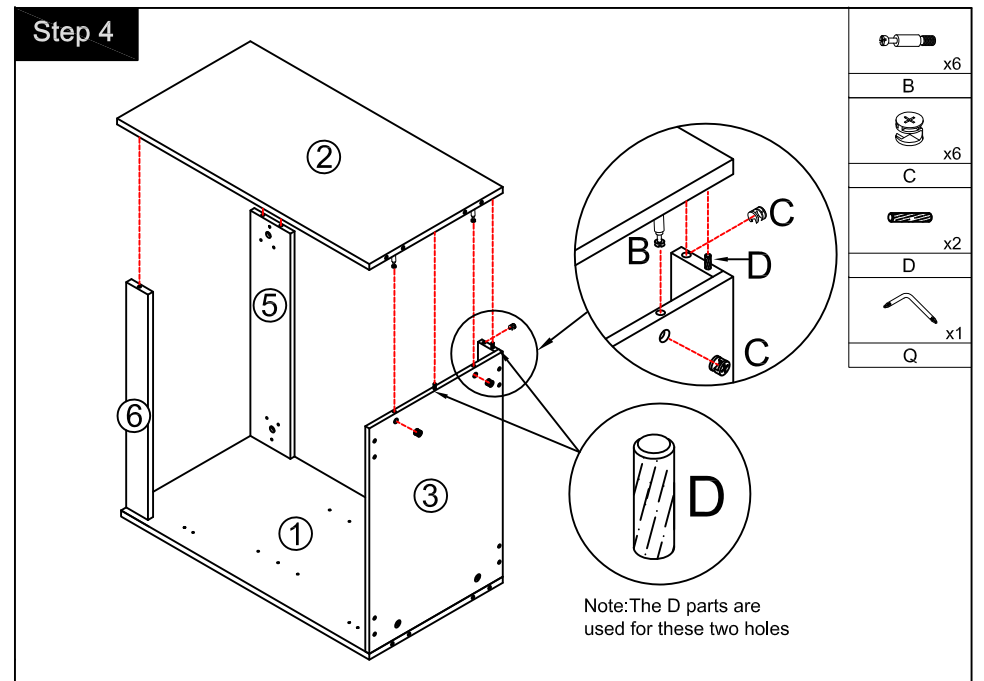
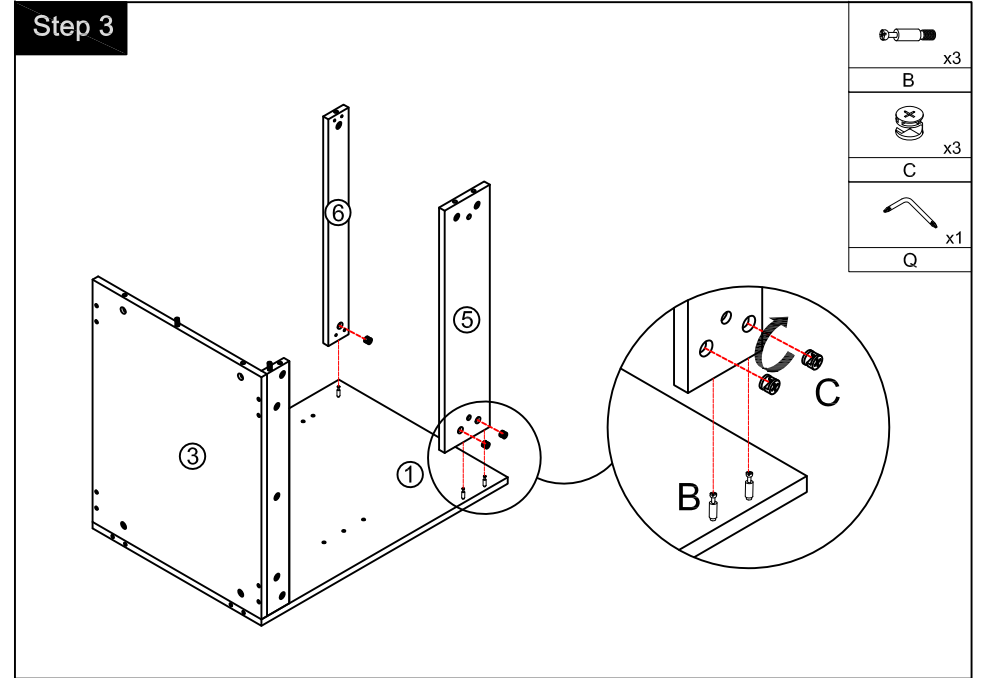
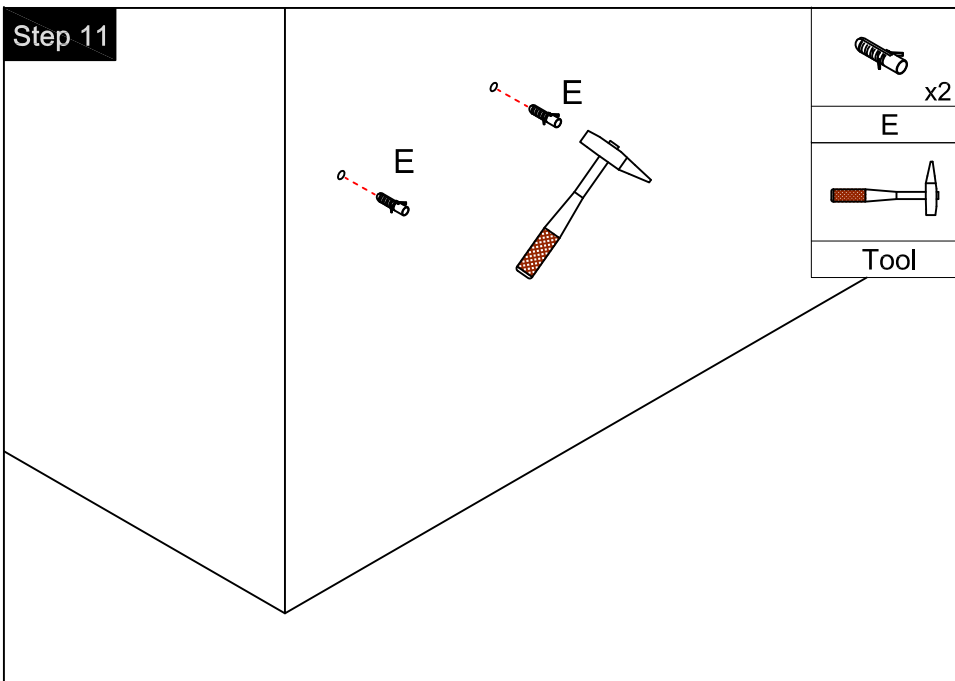
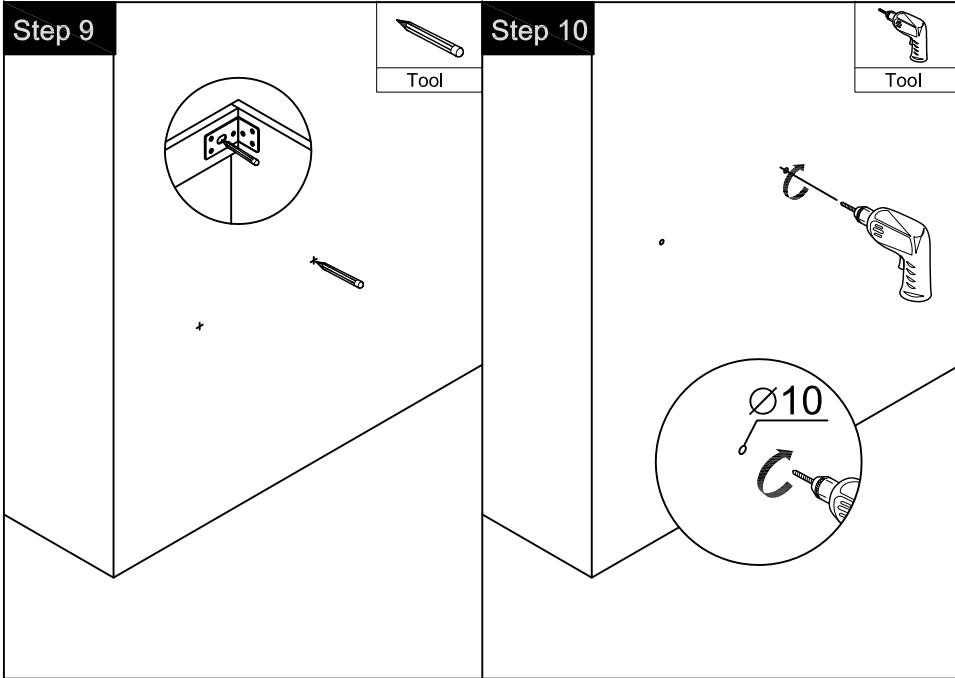
Step 12

-  x2
-  Tool

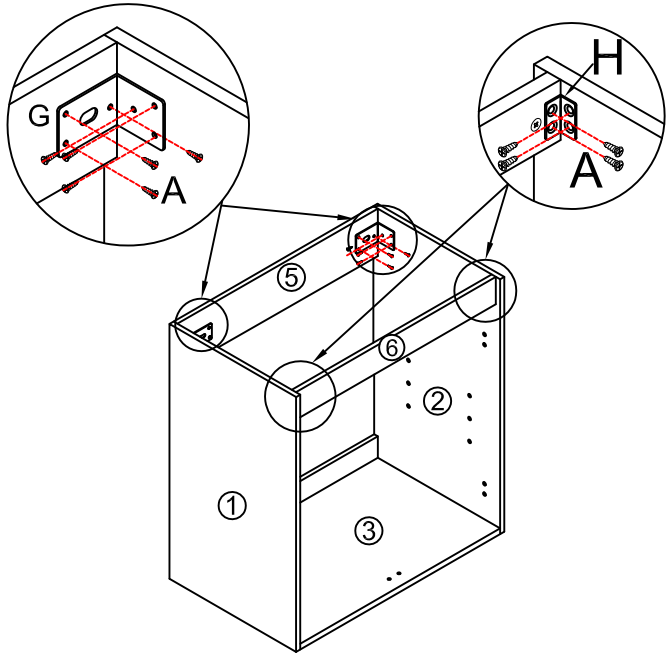


Step 13



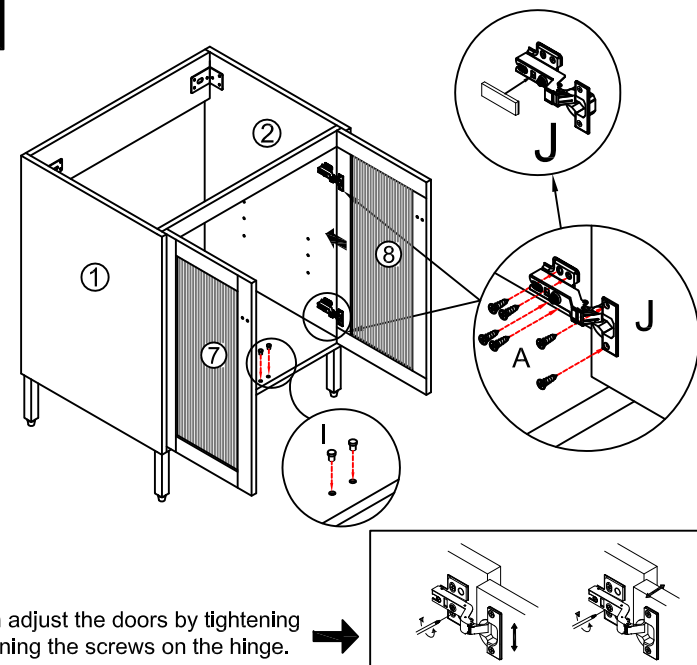


Step 5



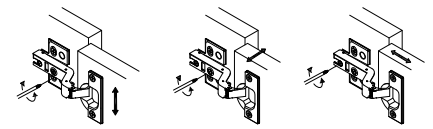
	x2
G	
	x2
H	
($\varnothing 4 \times 14\text{mm}$)	
	x20
A	
Tool	

Step 7

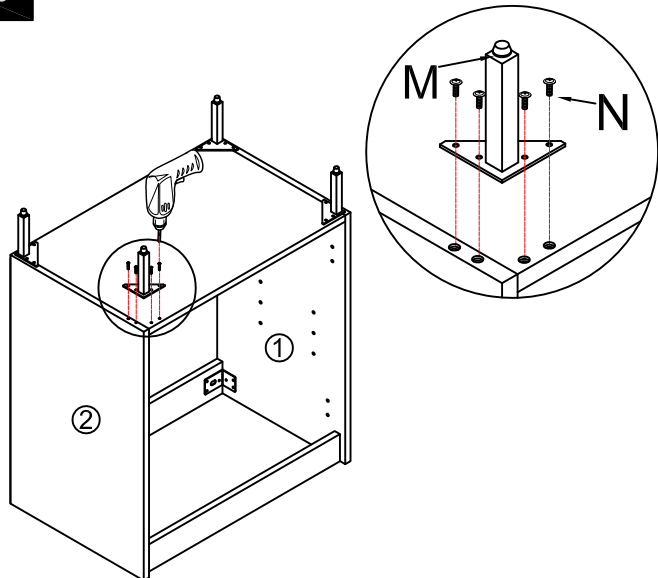


	x4
J	
($\varnothing 4 \times 14\text{mm}$)	
	x24
A	
	x2
I	
Tool	

You can adjust the doors by tightening or loosening the screws on the hinge. →

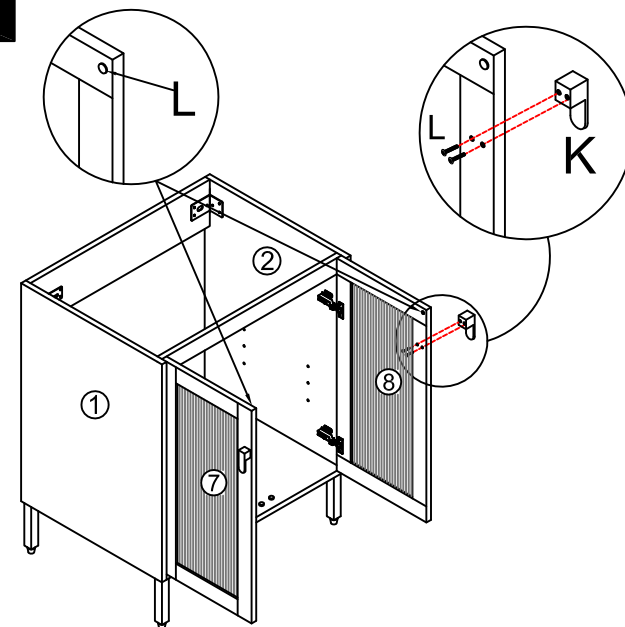


Step 6



	x4
M	
(M4 x 14mm)	
	x16
N	
Tool	

Step 8



	x2
K	
(M4 x 22mm)	
	x4
L	
	x2
O	
Q	