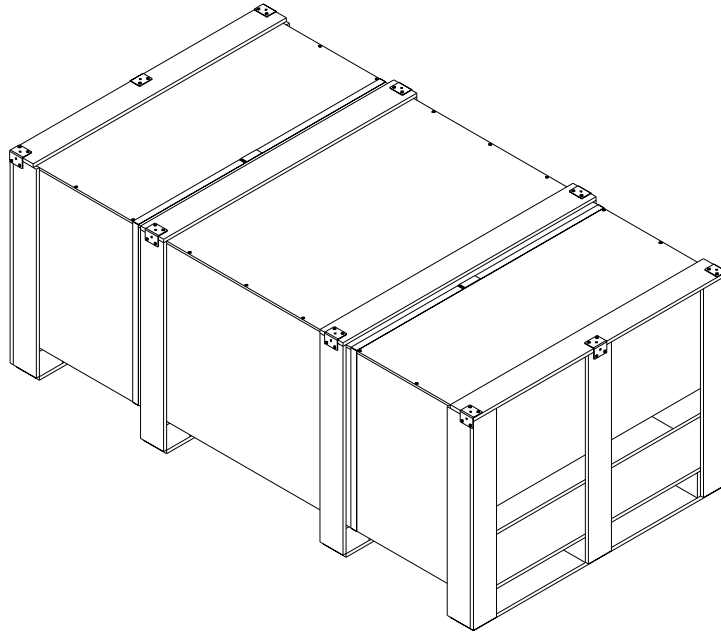
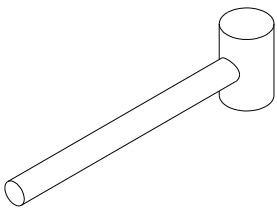


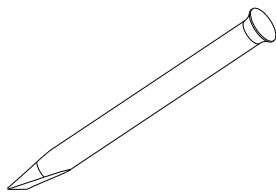
Steps for unboxing a bathtub



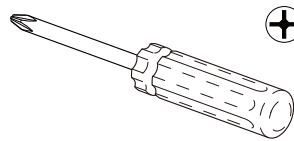
Tools ready:



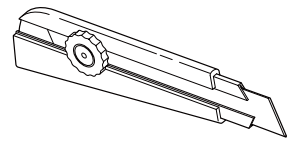
Hammer



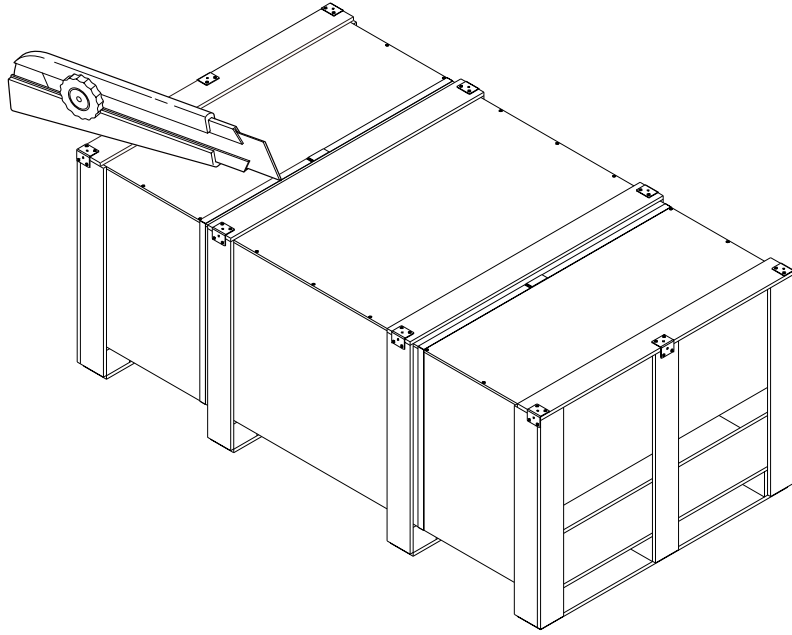
Chisel



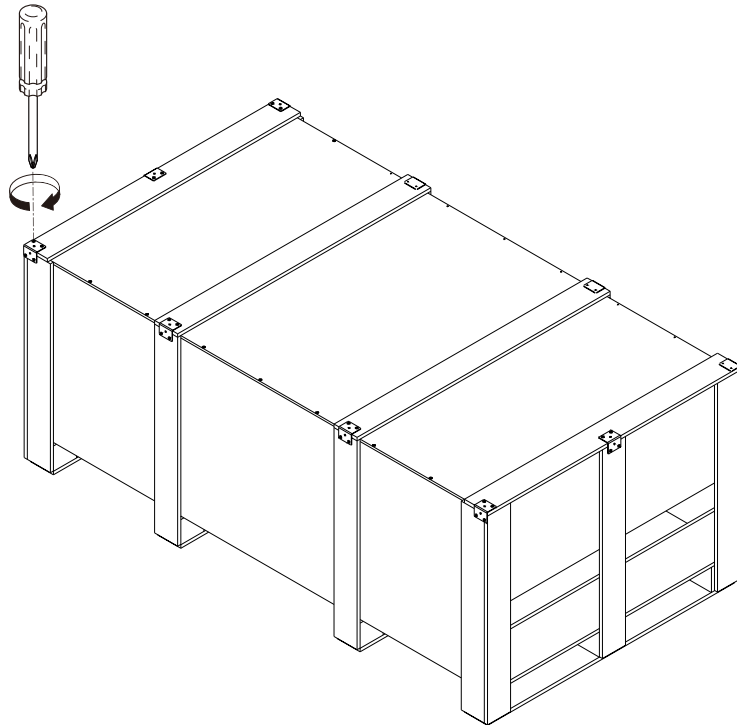
Screwdriver



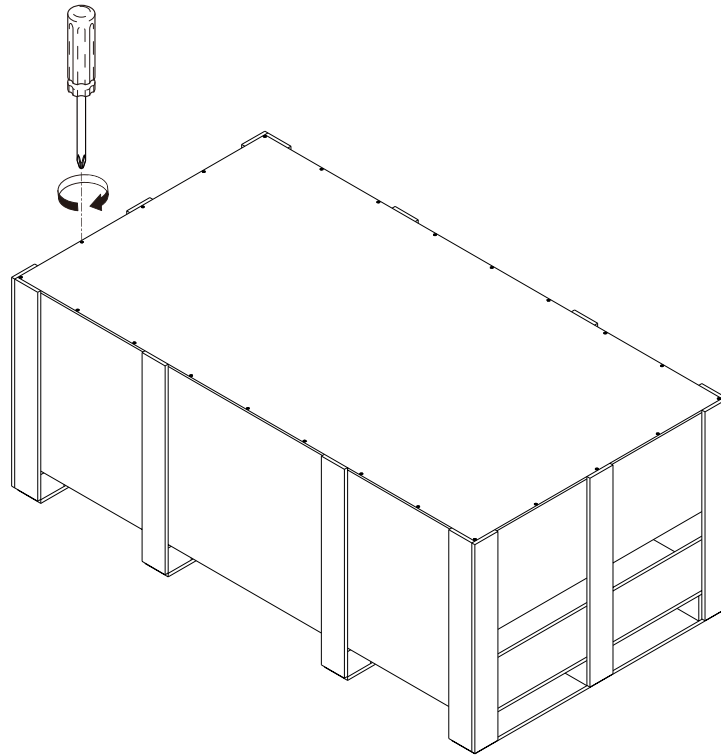
Utility Knife



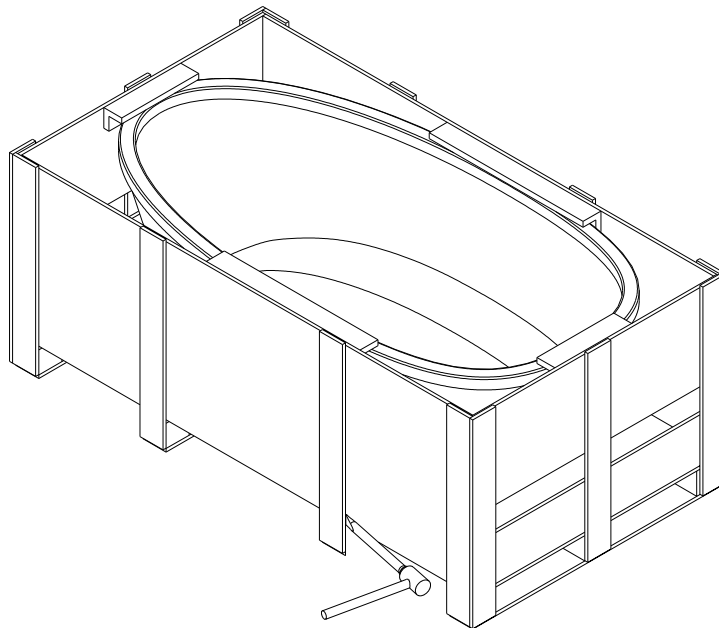
1、 Use a utility knife to cut through the plastic steel strip on the outer box.



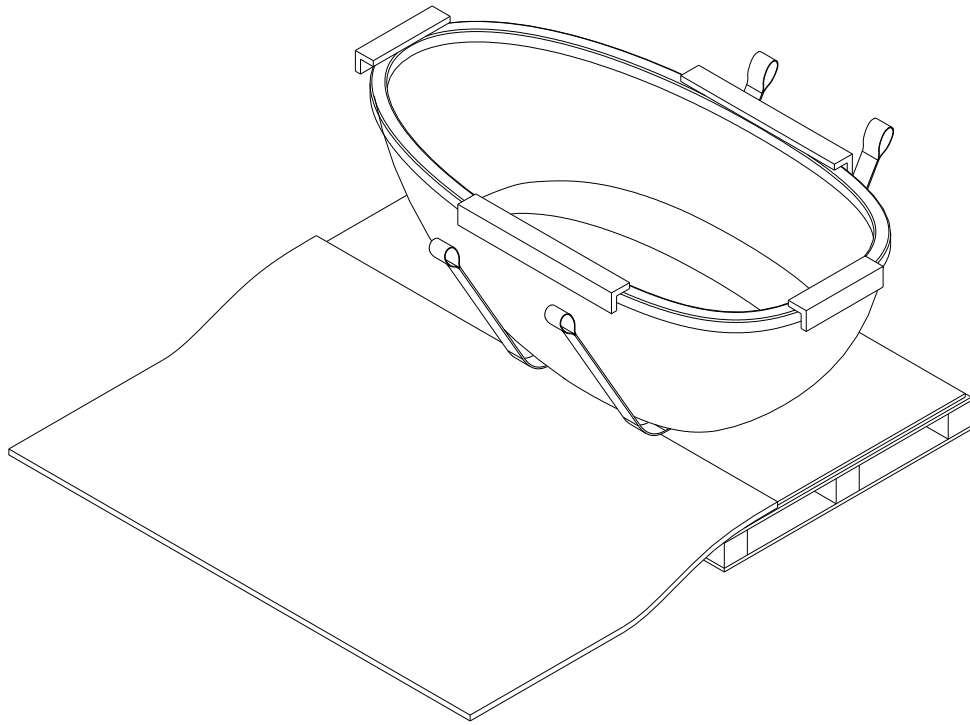
2、 Use a screwdriver to unscrew the screws on the corner brackets, then remove the corner brackets. Next, use a chisel and hammer to remove the reinforcing bars on the cover panel.



3、 Use a screwdriver to loosen the lid and remove the entire top cover of the wooden crate.



4、 Use a chisel and hammer to remove the four side panels of the outer box, being careful not to damage the bathtub.



5、 Place a soft material on one side of the base, then move the bathtub onto the soft padding (the soft material is used to prevent scratching the bathtub during the moving process). Remove the tray.

