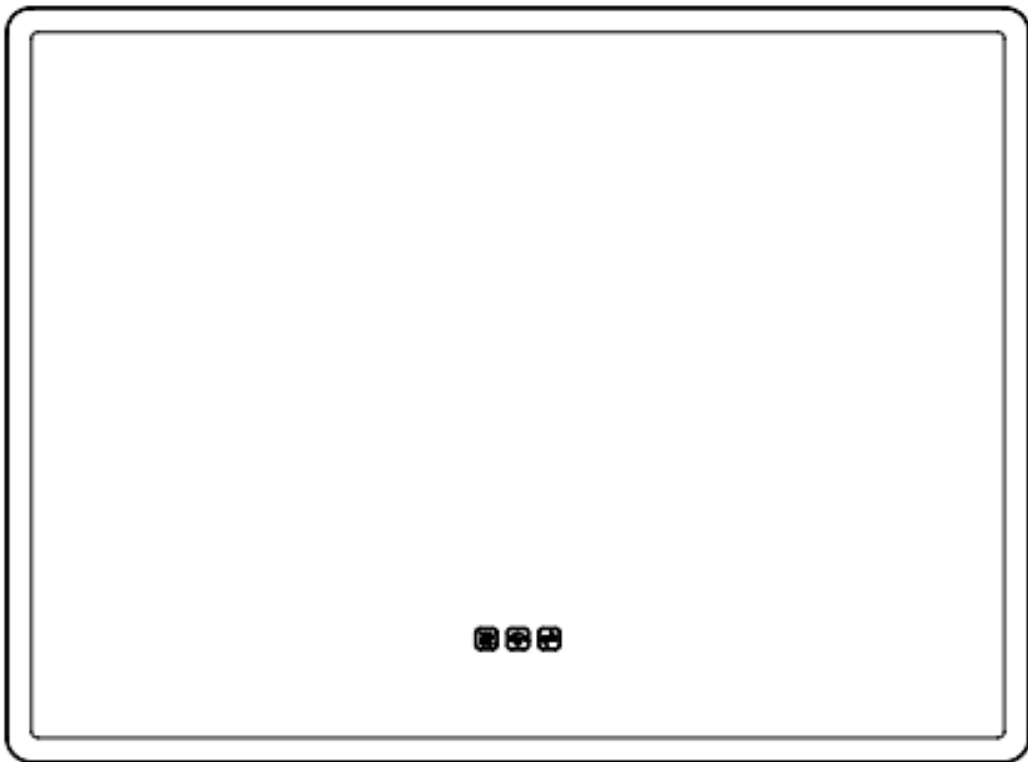
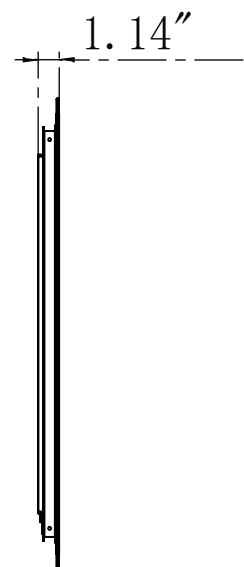
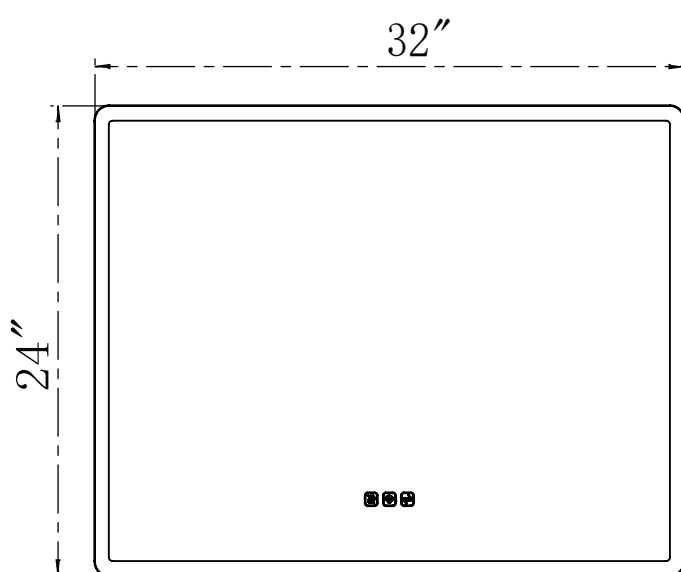
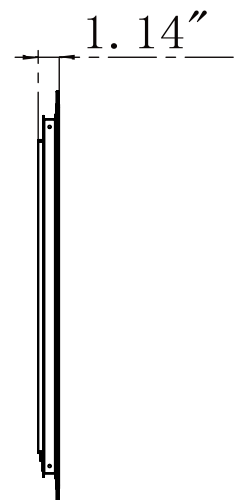
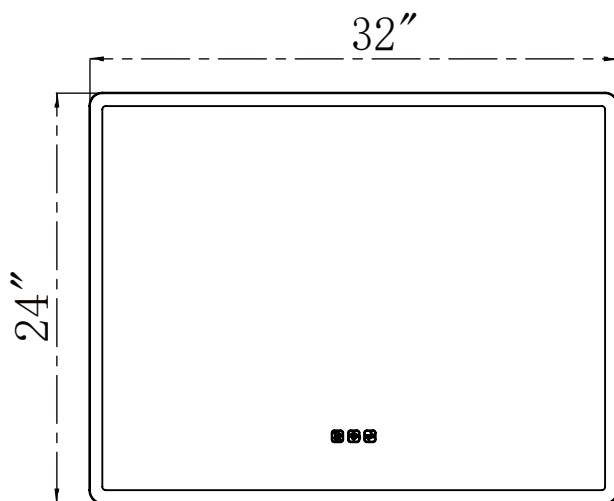
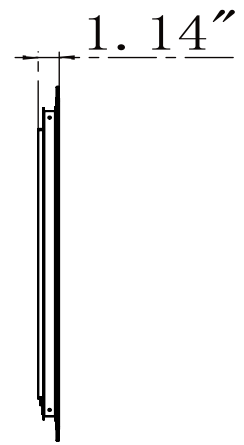
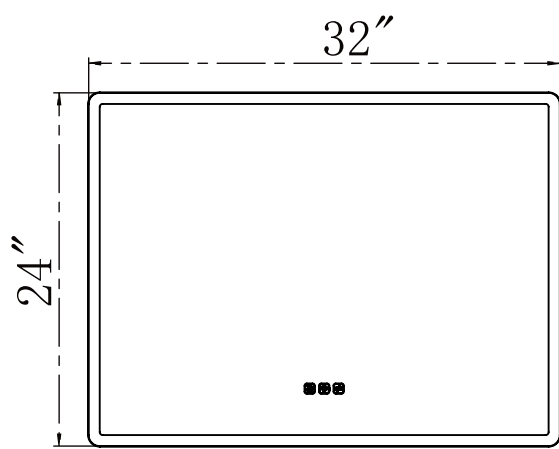


LED Mirror

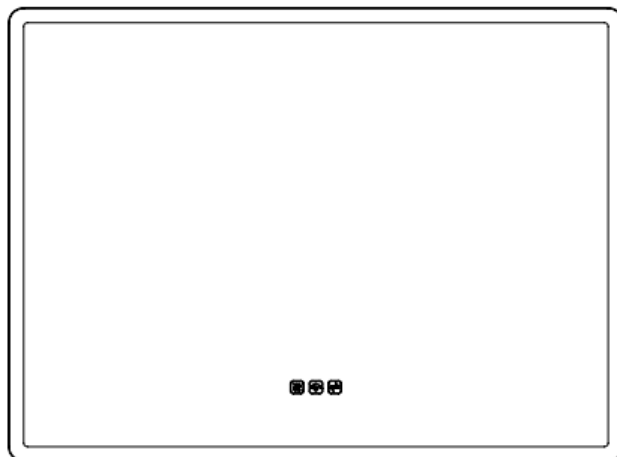
Installation Guide



LED mirror



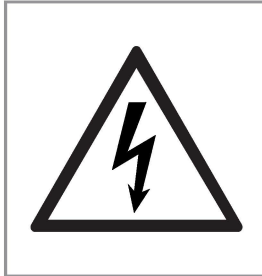
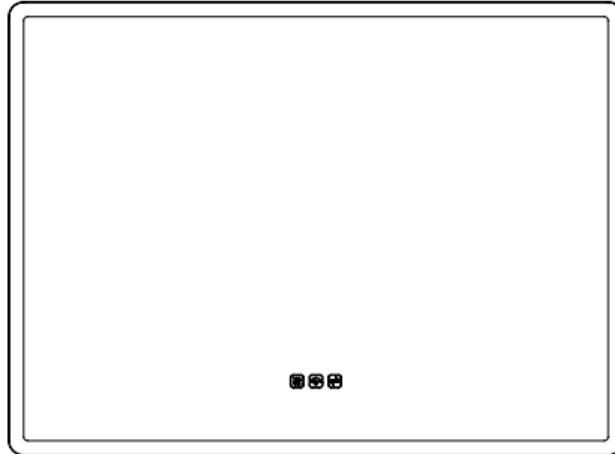
LED MIRROR



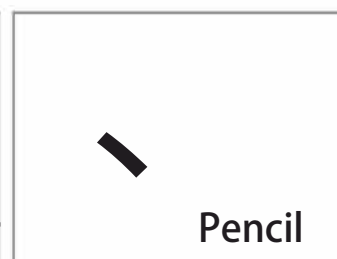
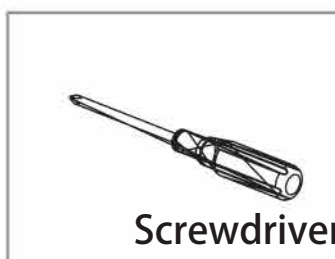
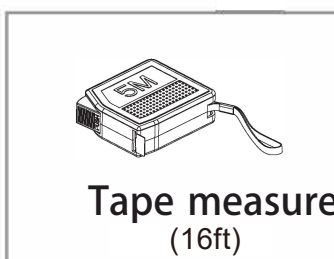
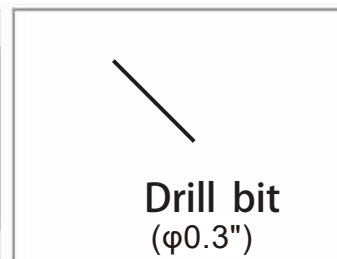
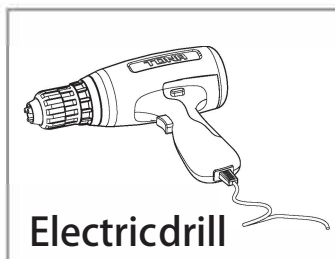
	TF2003-01-14		
Model	32"*24"	36"*28"	40"*32"
W	32"	36"	40"
H	24"	28"	32"
D	1.14"	1.14"	1.14"
Specification			
Voltage	100-130V	100-130V	100-130V
Hz	50/60Hz	50/60Hz	50/60Hz
CRI	≥80	≥80	≥80
Maximum Lumens	1890lm	1800lm	1950lm
Defogger Dimensions	250mm*350mm	250mm*350mm	250mm*350mm
LED Strip Wattage	17.5W±10%	18W±10%	18.5W±10%
Color Temperature	2700-6500	2700-6500	2700-6500
LED Lifetime	50000 Hours	50000 Hours	50000 Hours
Waterproof Rate	IP44	IP44	IP44
Defogger Wattage	13.8W±5%	13.8W±5%	13.8W±5%
LED Strip Length	100.4"	116"	131.9"

LED MIRROR

INSTALLATION GUIDE



TOOLS REQUIRED FOR INSTALLATION



LED MIRROR

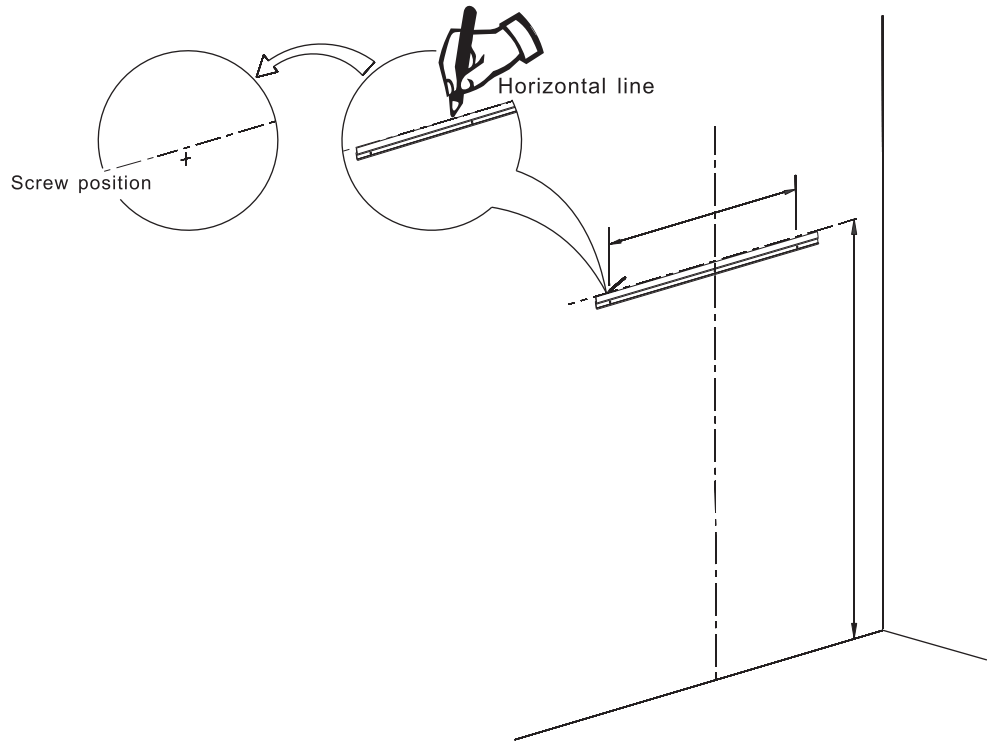
1



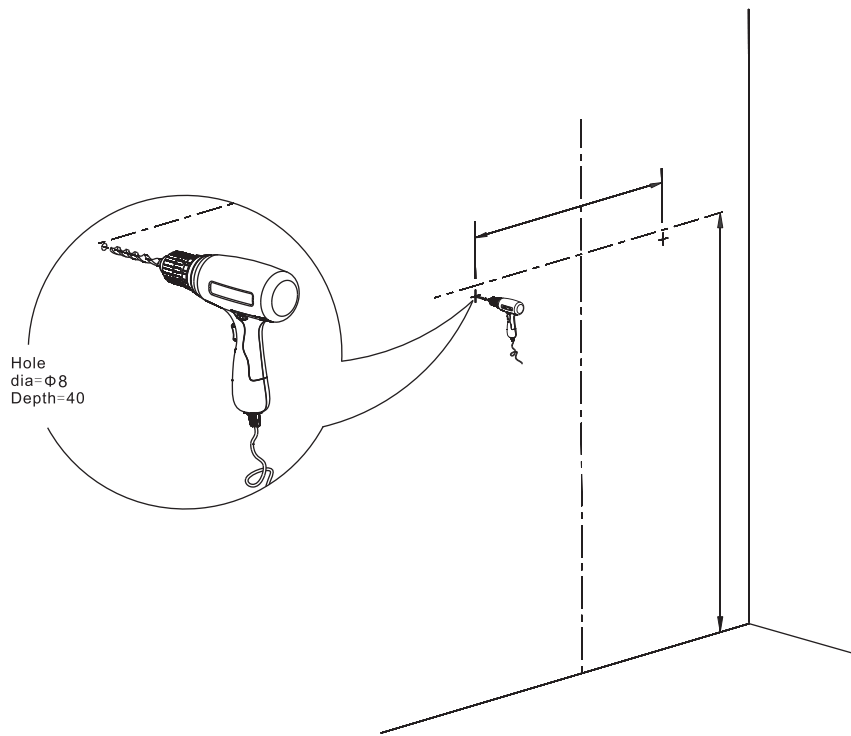
A



B



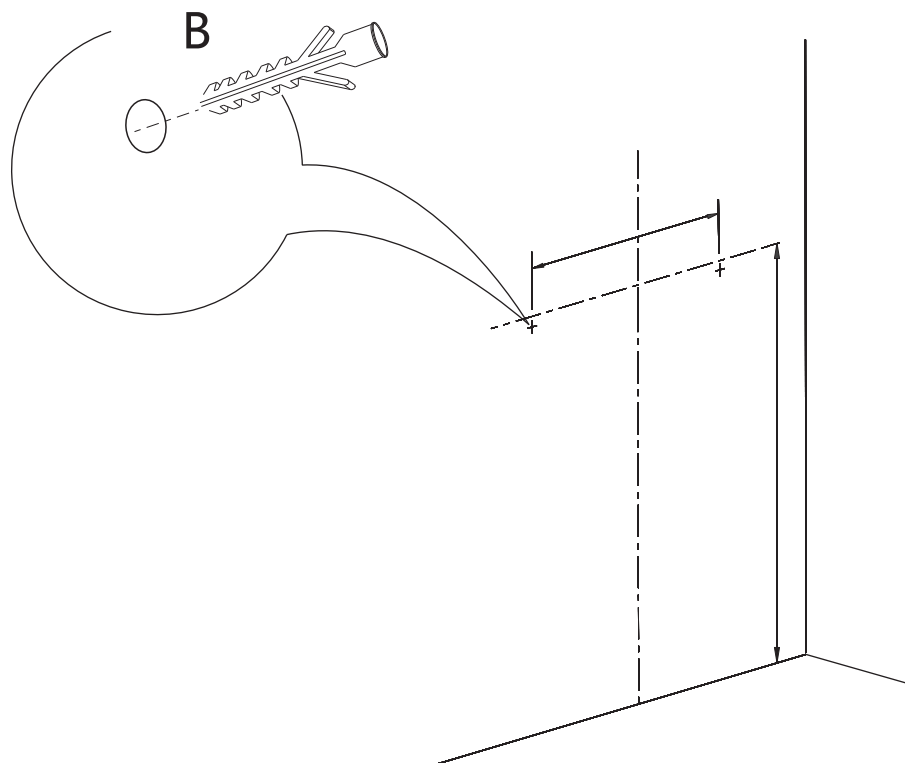
2



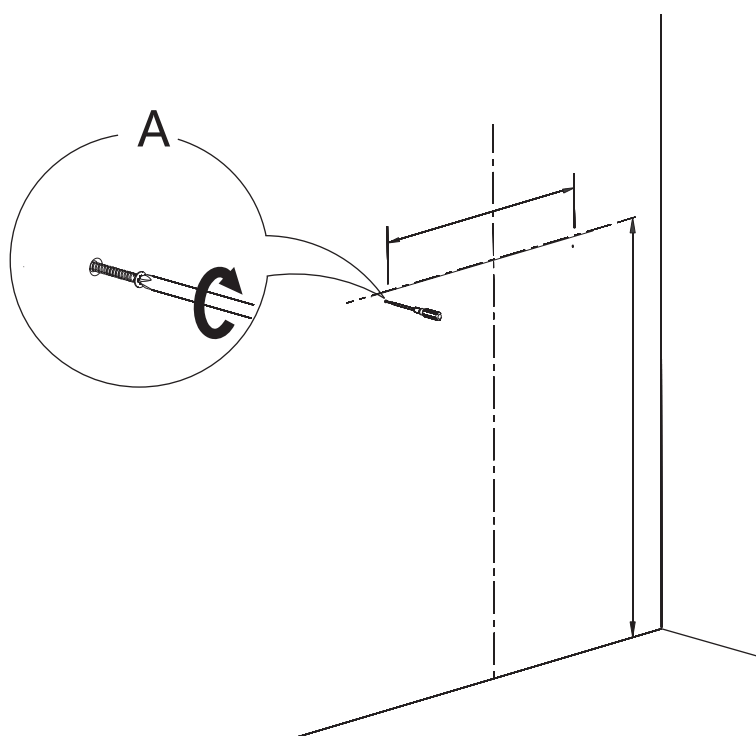
4

LED MIRROR

3

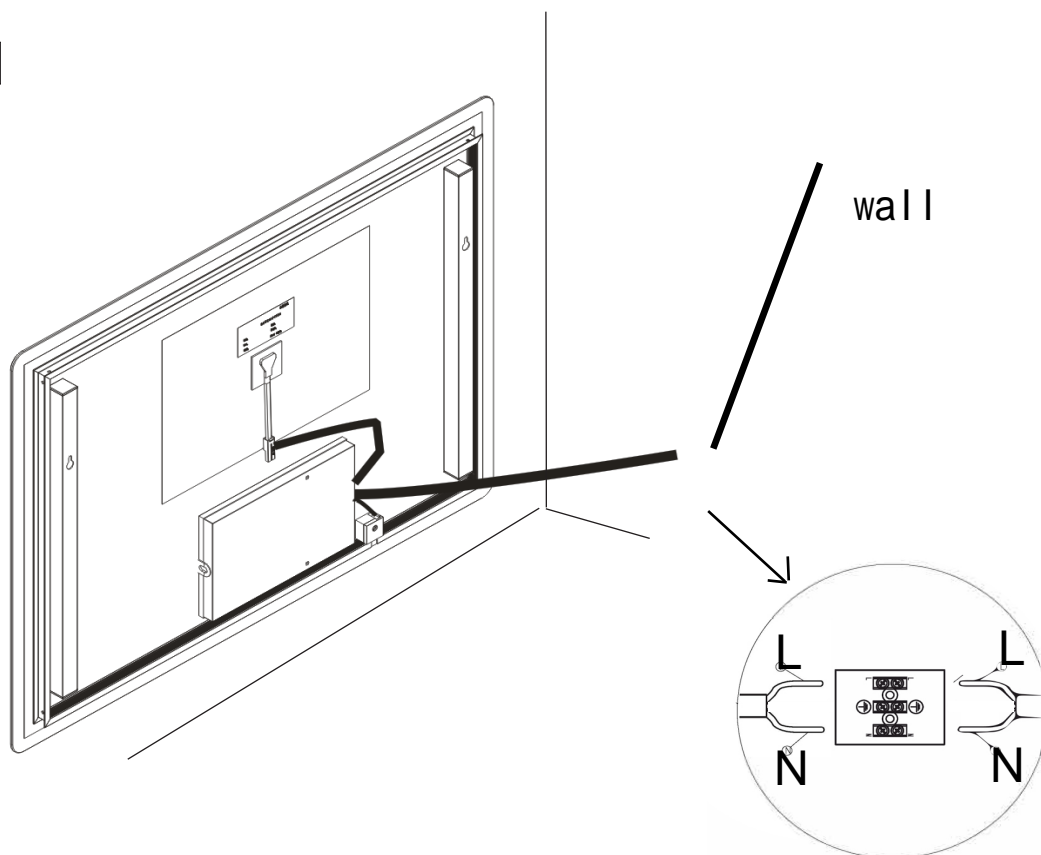


4

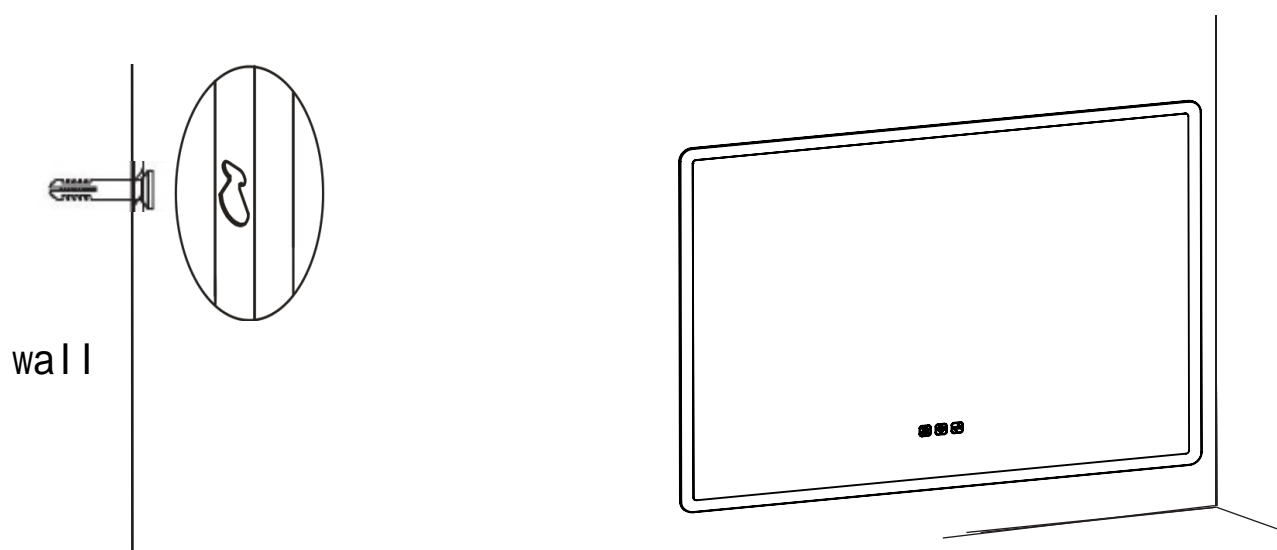


LED MIRROR

5

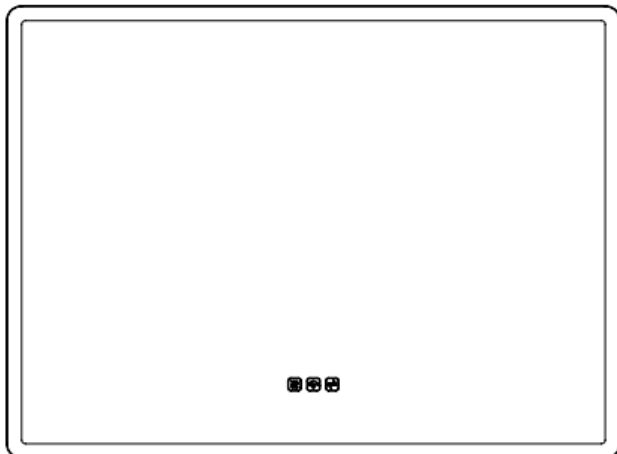


6



Operation and Warranty

Operation:



Key1:Point-press-Defog-Switch on/off

Key2:Point-press-LED on/off

Key3:Point-press-colour temperature adjusting

Key1



Key2



Key3



1. When the button is pressed to open, it turns blue, and when it's pressed to close, it turns white.
2. To adjust the brightness, simply touch and hold the light switch.
3. Both switches also have a memory function, so the next time you open the mirror, it will be in the same state as when it was last closed.

Warranty:

All shipments are carefully inspected and counted before leaving our distribution centers. Please inspect carefully on receipt of merchandise, noting any discrepancy or damage on the carrier's freight bill at that time.

We offer a 1-year Limited warranty on our mirror products.

Defective products should be returned to place of purchase for replacement. Returns will be handled by product replacement. Defects or damage caused to product by the consumer are not accepted.