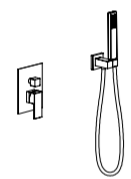
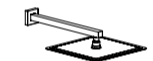


Instruction for installation and use of shower head



The product is subject to standard design. Thank you for purchasing this product. Please read this instruction carefully before using it.

This product is designed to your health, safety and your 10-year comfortable, useful and safe life. All information is written based on the latest published product information to write the characteristics, packaging or product types. The manual includes important contents about installation, maintenance and cleaning. Please give these materials to users for reading.

Contents

1. Installation environment	1
2. Install the auxiliary tool	2
3. Packing list	3
4. Installation dimensions	4
5. Installation process and methods	5
6. Repair and maintenance	10

1. Installation environment

1. During installation, carefully observe the water inlet pipeline properly installed and has been flushed with water, ensure no impurities in the water inlet pipeline. Please do not disassemble it yourself.
2. The water source of the thermostatic faucet has been tested and debugged by the factory. Please do not disassemble it yourself.
3. The size of the packaged faucet matches the size of the faucet mounting hole.
4. Safe water pressure requirement: 0.05MPa, inlet pressure: 0.5MPa. To ensure the good use of the faucet, please keep the water supply pressure of cold and hot water balanced.
5. Water temperature requirements: the cold water temperature is 20-70 °C, the hot water temperature is 35-55 °C, and the recommended control water temperature is 37-42 °C. Please prohibit the use of hot and cold water supply pipes as heating, and the medium temperature is not more than 100 °C. Cannot be used for other fluid environments except water or other aqueous. Please note that the product is parts may be damaged if the environmental temperature of the product is too hot (above 70 °C) or too high (above 100 °C).
6. When installing the faucet, be sure to secure the hot and cold water inlet ends of the faucet and indicate the water and flow direction (cold water).
8. During the installation of accompanying products such as hoses, it must be controlled and protected. If there is a corner, line, sharp and sand dropping on the surface, it must be cleaned within 30 minutes.
9. If customers go out for a long time or don't use the faucet for a long time, please close the main valve of the faucet first and turn on the faucet switch to drain the pressure and accumulated water in the faucet.

- 1 -

2. Installation of auxiliary tools

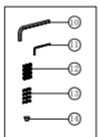


- 2 -

3. Packing list

When you open the product package, please count the accessories with the packing list. If there is a shortage, please contact the dealer soon. The following figure and table are for reference only. (Note: The product appearance may be different)

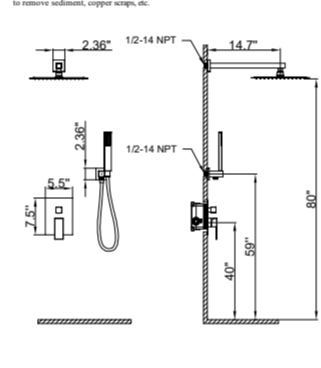
No.	Name	Quantity
1	Shower head	1
2	Shower arm	1
3	Shower hose	1
4	Shower head cover	1
5	Shower head cap	1
6	Shower head cap	1
7	Shower head cap	1
8	Shower head cap	1
9	Shower head cap	1
10	Shower head cap	1
11	Shower head cap	1
12	Shower head cap	1
13	Shower head cap	1
14	Shower head cap	1
15	Shower head cap	1
16	Shower head cap	1
17	Shower head cap	1
18	Shower head cap	1
19	Shower head cap	1
20	Shower head cap	1



- 3 -

4. Installation size

Before installation, refer to the product installation dimension drawing to determine the installation position, and confirm cold and hot water pipes on the wall (the thread and water direction must conform to the product size). Mark the pipeline and the position where the faucet is installed with a marking tool to ensure no mistake, upper water etc.

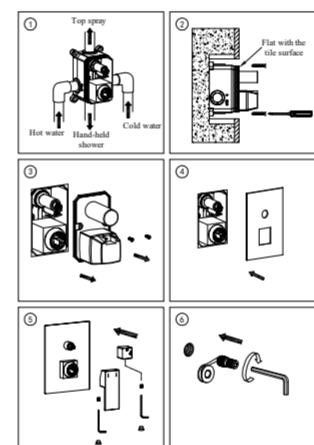


- 4 -

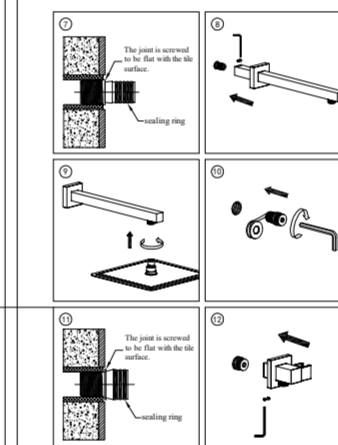
5. Installation items and methods

1. The shower body has been tested and debugged before leaving the factory. Please do not disassemble it yourself.
2. Before installing the faucet, please be sure to confirm whether the water inlet pipeline and angle valve are correctly installed. The expansion and change on the installed water pipe have been confirmed to avoid blocking the faucet and affecting the water outlet function.
3. After installation, please check whether the joints are tightly connected and whether the pipe is leak.
4. The working water pressure of the faucet is 0.05MPa or less, and the water inlet pressure is 0.5MPa or less.
5. When installing and using the faucet, please use normal temperature to prevent the handle and hot from being heated.
6. When using, please turn on cold water first, and then turn on hot water to adjust the temperature, so as not to burn.
7. Users must cover and protect the chrome-plated products such as faucets when handling them. If there is a corner, line, sharp and sand dropping on the surface, it must be cleaned within 30 minutes.

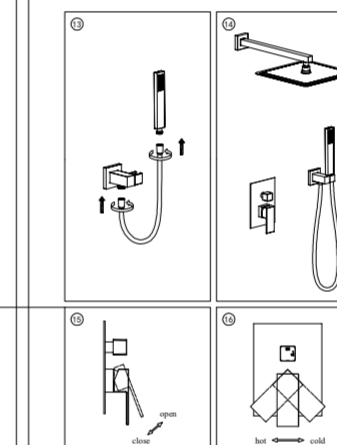
- 5 -



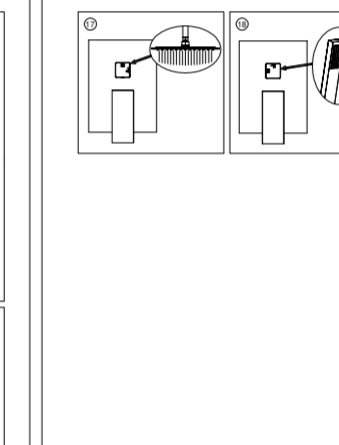
- 6 -



- 7 -



- 8 -



- 9 -

6. Repair and maintenance

1. To keep the faucet bright and clean, please clean the faucet regularly or regularly.
2. Rinse with water only, and dry the faucet with soft cloth.
3. Do not use detergent containing coarse particles such as cleaning powder or polishing powder, nylon brush, emery cloth or sandpaper, avoiding scratching the product.
4. Do not use any acidic cleaning agent or rough cleaning agent or soap to polish.
5. When the water flow of the faucet is obviously reduced, please clean the filter screen of the shower head and the rubber particles behind the shower head, so as not to affect the water flow of the shower head or to block it. Example: The water flow of the shower head is obviously reduced or some other particles do not enter use. Please use the rubber particles at the shower head to clean or use new one if needed to make better in the rubber particles at the shower head.
6. If a lot of cleaning work is needed, please follow the following procedures:
 - A. Use clean water and soft cloth to remove dirt and scale (do not use water as far as possible).
 - B. The edge of the cleaning, cleaning agent is necessary, such as hot and cold flow, mild liquid detergent.
 - C. Cleaning glass shower products shower that has no grinding effect and can be completely dissolved (and neutral according to the manufacturing instructions).
 Polishing liquid neutral solution.
 - A. Soften the dirt can be soaked in hot vinegar, then wiped with water and scrubbed with toothbrush or soft nylon brush or sponge.
 - B. After cleaning, please remove all cleaning agent with clean water and wipe them dry with soft cloth.

- 10 -