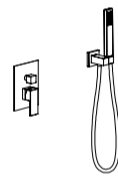


Instruction for installation and use of shower head



The product is subject to standard design.
Thank you for purchasing this product. Please read this instruction carefully before using it.

This product is designed to your health, under a year 10-year warranty, under the following conditions:
All information is written based on the latest published product information to write the characteristics, packaging or product types.
The manual includes important contents about installation, maintenance and cleaning. Please give these materials to users for reading.

Contents

1. Installation environment	1
2. Install the auxiliary tool	2
3. Packing list	3
4. Installation dimensions	4
5. Installation process and methods	5
6. Repair and maintenance	10

1. Installation environment

1. Before installation, confirm whether the water inlet pipeline is properly installed and has been flushed with water, ensure no impurities in the water inlet pipeline. Please do not disassemble it yourself.
2. The size of the threaded faucet must match the size of the faucet mounting hole.
3. Make sure the pressure of the faucet is 0.10MPa or less. To ensure the good use of the faucet, please keep the water supply pressure of cold and hot water balanced.
4. Water temperature requirements: the cold water temperature is 10°C-42°C, the hot water temperature is 35°C-55°C, and the recommended normal water temperature is 37°C-45°C. Please prohibit the use of hot and cold water supply pipes as heating, and the medium temperature is not more than 100°C. Cannot be used for other fluid environments except water or other aqueous. Please note that the product is parts may be damaged if the environmental temperature of the product is too hot (above 70°C) or too high (above 100°C).
5. When installing the faucet, be sure to secure the hot and cold water inlet ends of the faucet and indicate the water and flow directions (cold water).
6. During the installation of accessories, please use normal torque to prevent the handle and hot/cold from breaking.
7. During the installation of accessories, please use the correct force to prevent the product from being damaged. If there is a problem, please refer to the manual and stop using the product. It must be closed within 30 minutes.
8. If customers go out for a long time or don't use the faucet for a long time, please close the main valve of the faucet first and use the faucet switch to drain the pressure and accumulated water in the faucet.

- 1 -

2. Installation of auxiliary tools



- 2 -

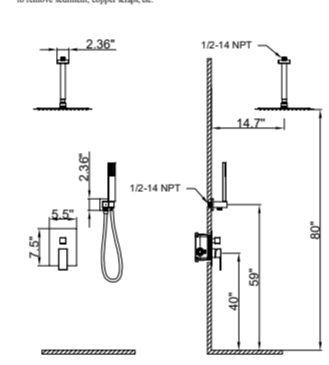
3. Packing list

When you open the product package, please check the accessories with the packing list. If there is a shortage, please contact the dealer soon. The following figure and table are for reference only. Note: The product appearance may be different.

No.	Name	Quantity
1	Shower Head	1
2	Water Filter	1
3	Water Filter Cover	1
4	Water Filter O-ring	1
5	Water Filter Sealant	1
6	Water Filter Wrench	1
7	Water Filter Key	1
8	Water Filter O-ring	1
9	Water Filter Sealant	1
10	Water Filter Wrench	1
11	Water Filter Key	1
12	Water Filter O-ring	1
13	Water Filter Sealant	1
14	Water Filter Wrench	1
15	Water Filter Key	1

4. Installation size

Before installation, refer to the product installation dimensions. During the installation process, confirm whether the water inlet pipeline and water pipe on the wall (the thread and water distance) meet the requirements of the product size. Work the pipeline and the position where the faucet is installed with a wrench tool to ensure smooth, upper water etc.

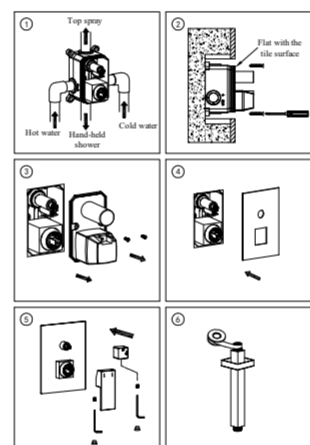


- 4 -

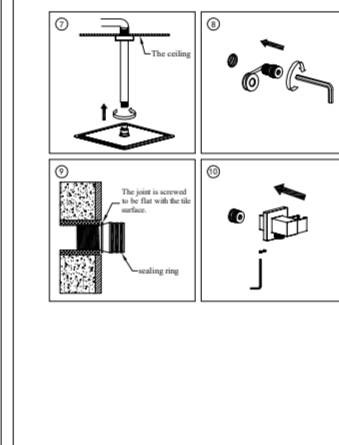
5. Installation items and methods

1. The shower body has been tested and packaged before leaving the factory. Please do not disassemble it by yourself!
2. Before installing the faucet, please be sure to confirm whether the water inlet pipeline and water pipe are correctly installed. The appearance and design on the packaged water pipe have been corrected to avoid blocking the faucet and affecting the water outlet function.
3. After installation, please check whether the joints are tightly connected and whether the pipe is leaky.
4. The working water pressure of the faucet is 0.10MPa or less, and the water inlet pressure is 10-15MPa or less.
5. When installing and using the faucet, please use normal torque to prevent the handle and hot/cold from breaking.
6. When using, please turn on cold water first, and then turn on hot water to adjust the temperature, so as not to burn.
7. Users must cover and protect the electroplating products such as faucets when handling them. If there is a problem, please refer to the manual and stop using the product. It must be closed within 30 minutes.

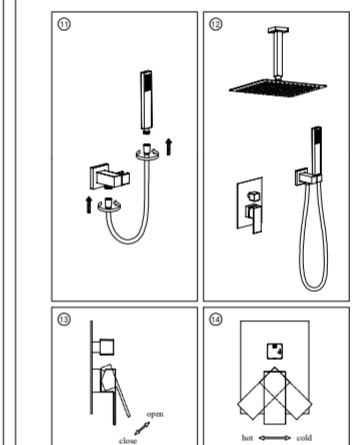
- 5 -



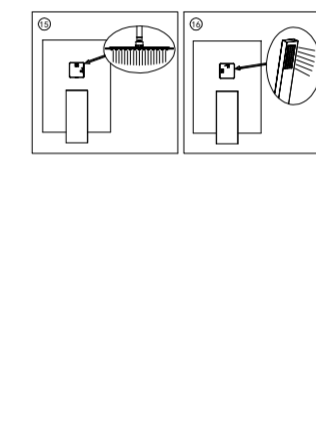
- 6 -



- 7 -



- 8 -



- 9 -

6. Repair and maintenance

1. To keep the faucet bright and clean, please clean the faucet regularly or regularly.
2. Rinse with water only, and dry the faucet with soft cloth.
3. Do not use detergent containing coarse particles such as cleaning powder or polishing powder, nylon brush, coarse cloth or sandpaper, avoiding scratching the product.
4. Do not use any acidic cleaning agent or rough cleaning agent or soap to polish.
5. When the water flow of the faucet is obviously reduced, please clean the filter screen of the shower head and the shower particle filter of the shower head, so as not to affect the water flow of the shower head or hot/cold water. Example: The water flow of the shower head is obviously reduced or some other particles do not enter use. Please clean the shower particle filter of the shower head, or use new one if needed before the shower particle filter of the shower head.
6. If a lot of cleaning work is needed, please follow the following procedures:
 - A. Use clean water and soft cloth to remove dirt and scale (do not use water or for as possible).
 - B. The edge of the electrolytic cleaning agent is removed, do not use acid, alkali, or other strong cleaning agents.
 - C. Cleaning glass shower products should be done by grinding effect and can be completely dissolved and removed according to the manufacturing instructions.Polishing liquid removal operation:
Stainless steel can be polished by hot vinegar, then wiped with water and scrubbed with toothbrush or soft nylon brush or cloth.
C. After cleaning, please remove all cleaning agents with clean water and wipe them dry with soft cloth.

- 10 -