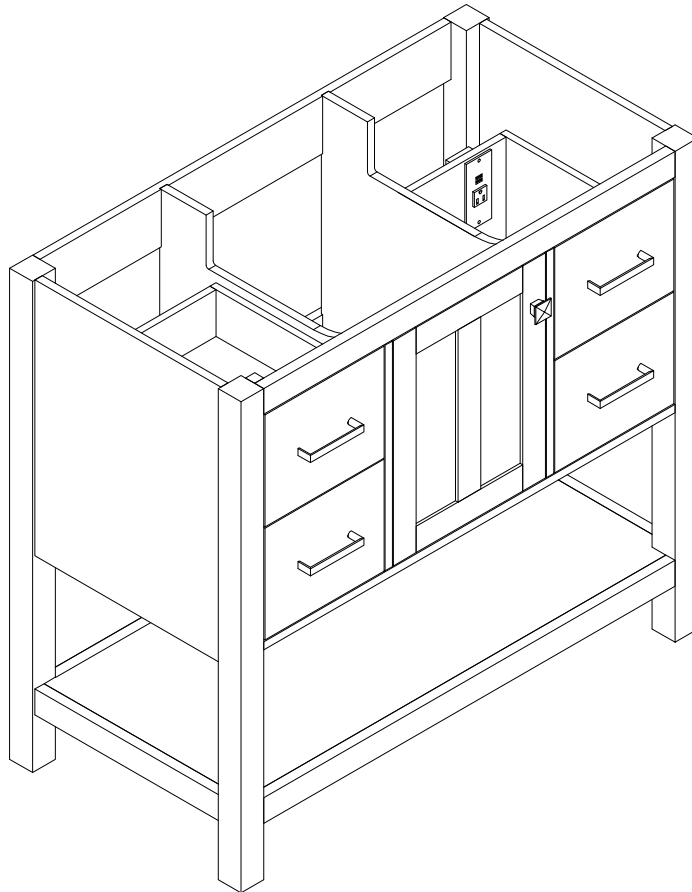


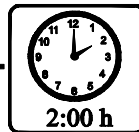
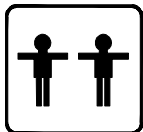
ASSEMBLY INSTRUCTIONS

36" BATHROOM VANITY

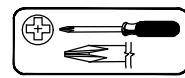


Thank you for purchasing this quality product. Be sure to check all packing material carefully for small parts which may have come loose inside the carton during shipment. Separate, identify and count all parts and hardware. Compare with the parts list to be sure all parts are present.
"DO NOT TIGHTEN SCREWS UNTIL COMPLETELY ASSEMBLED"

*** Use of power tool to assemble this product will invalidate any claim and damage this product making unsafe !!!**
*** Please assemble on a clean soft surface to avoid damage.**



Tools Required



(Not included)



(Not included)

IMPORTANT:

PLEASE READ INSTRUCTION BEFORE STARTING THE ASSEMBLY

Before Installation

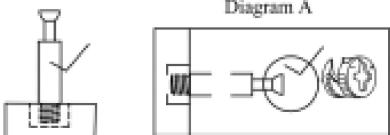
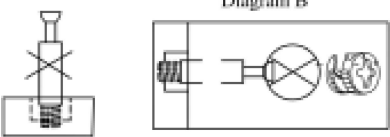
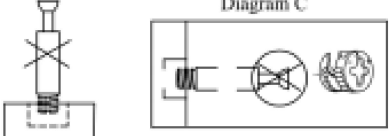
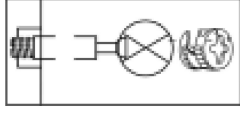
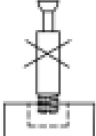
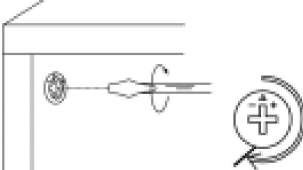
Important - Please read these instructions fully before starting assembly

Thank you for purchasing this quality product. Be sure to check all packing materials carefully for small parts, which may have come loose inside the carton during shipment. Identify and count all items according to the PARTS LIST and/or HARDWARE LIST shown below. Check you have all the components and tools listed on the following pages.

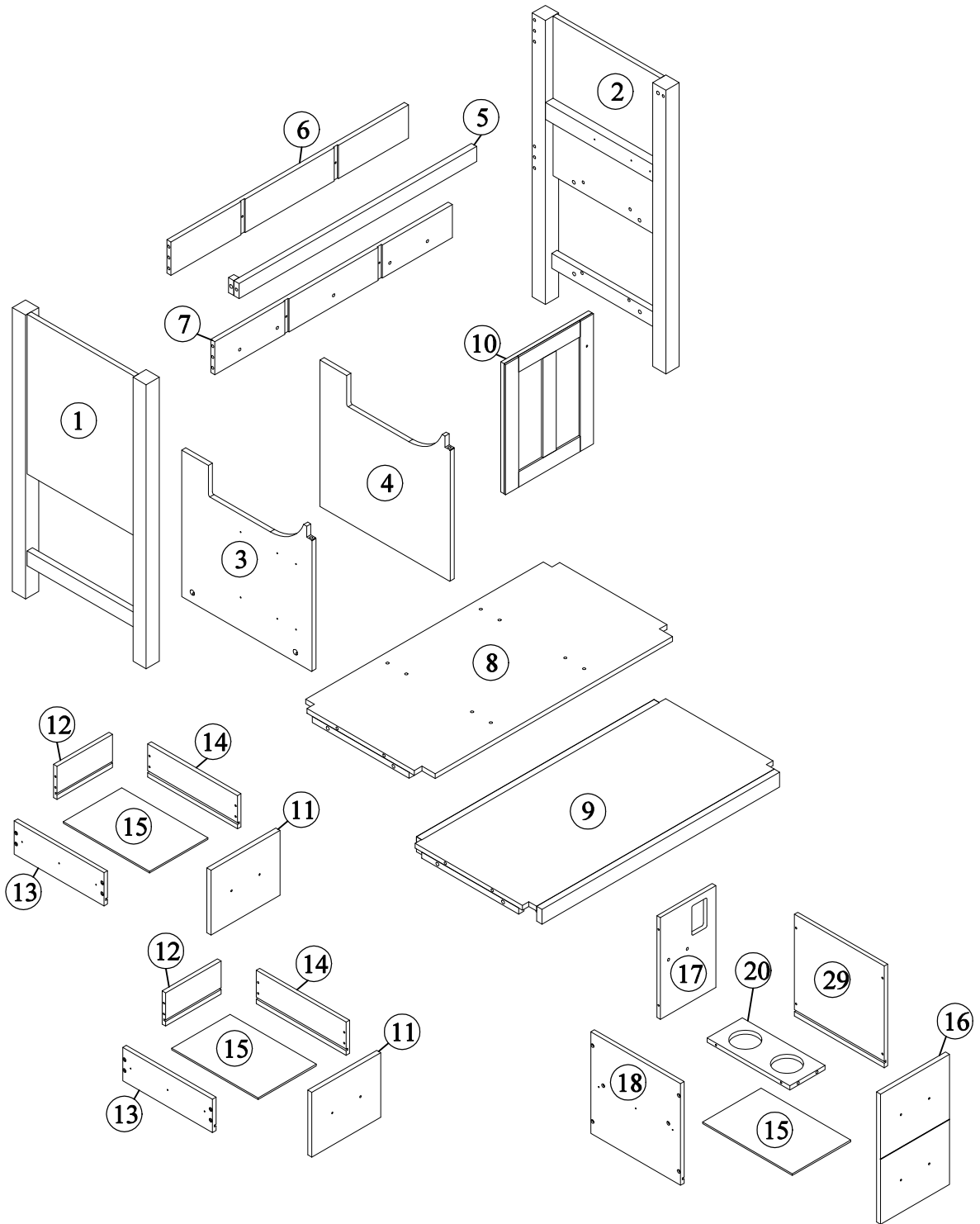
- . We recommend that you assemble this product with the assistance of another person; this will make the assembly easier, and will help eliminate damage to the product or injury to persons during assembly.
- . Please do not over tighten screws or bolts until the assembly is completed.
- . Keep children and animal away from the work area, small parts could choke if swallowed.
- . Please put all parts on a non-abrasive floor before assembly, and follow the assembly steps to assemble your newly purchased product correctly and efficiently.

If you find that you have any trouble with assembly or missing or damaged parts please contact the seller.

Cam Lock Assembly Instructions

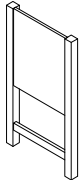
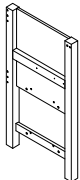
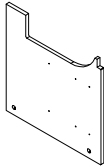
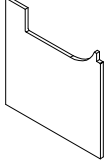
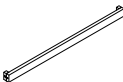
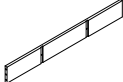
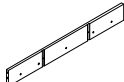
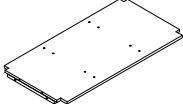
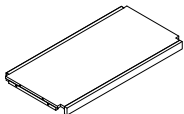
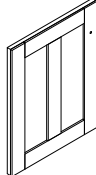
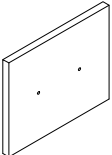
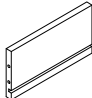
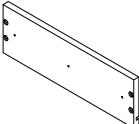
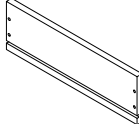
	<p>Diagram A</p> <p>Insert Cam Bolt into hole as shown in diagram A.</p>
	<p>Diagram B</p> <p>Make sure not to insert the Cam Bolt too deep as shown in figure B as this will cause the Cam Lock to be misaligned and unable to interlock properly.</p>
	<p>Diagram C</p> <p>Also avoid inserting the Cam Bolt too close to the surface of the hole as shown in figure C, as this will cause the Cam Lock to be too loose, and not interlock properly.</p>
	<p>Connect the panels together.</p>
	<p>ARROW SIGN</p> <p>Insert the Cam Lock so the side opening fits over the head of the Cam Bolt.</p>
	<p>To tighten the Cam Lock, turn it clockwise on half a turn with a flat screwdriver. <i>*Do not use an automatic screwdriver as it may bend or break if too much power is imposed.</i></p>

Detail View - CABINET

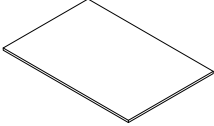

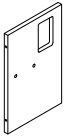
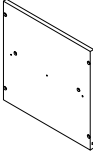
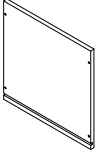
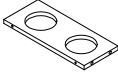


Identifying the Hardware-Identify the hardware using the illustrations below.



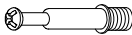



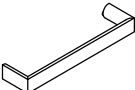
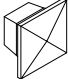
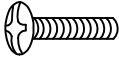
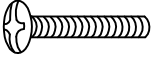


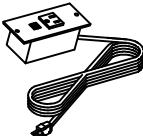
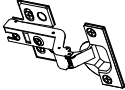
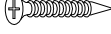
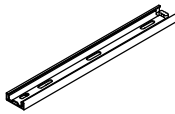
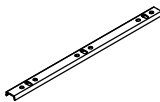
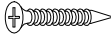



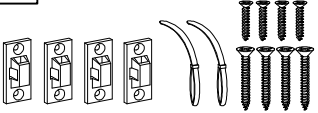
Part List - WF306444

<p>1</p>  <p>Side Panel (L) - 1pc</p>	<p>2</p>  <p>Side Panel (R) - 1pc</p>
<p>3</p>  <p>Mid Panel (L) - 1pc</p>	<p>4</p>  <p>Mid Panel (R) - 1pc</p>
<p>5</p>  <p>Front Bar - 1pc</p>	<p>6</p>  <p>Rear Panel Top - 1pc</p>
<p>7</p>  <p>Rear Panel Bottom - 1pc</p>	<p>8</p>  <p>Frame Mid - 1pc</p>
<p>9</p>  <p>Frame Bottom - 1pc</p>	<p>10</p>  <p>Door - 1pc</p>
<p>11</p>  <p>Left Drawer Face - 2pcs</p>	<p>12</p>  <p>Left Drawer Rear - 2pcs</p>
<p>13</p>  <p>Left Drawer Side(L) - 2pcs</p>	<p>14</p>  <p>Left Drawer Side(R) - 2pcs</p>

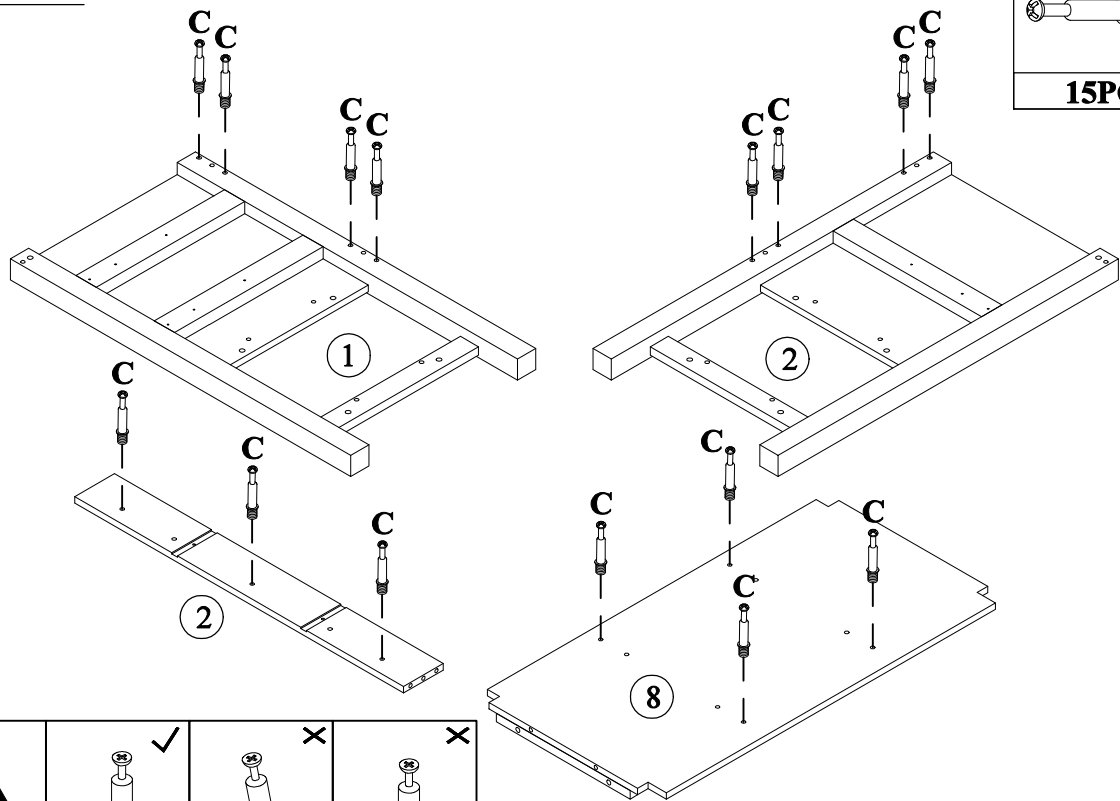
Part List - WF306444

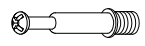
<p>15</p>  <p>Drawer Bottom - 3pcs</p>	<p>16</p>  <p>Right Drawer Face - 1pc</p>
<p>17</p>  <p>Right Rear Drawer- 1pc</p>	<p>18</p>  <p>Right Drawer Side(L) - 1pc</p>
<p>19</p>  <p>Right Drawer Side(R) - 1pc</p>	<p>20</p>  <p>Right Drawer Mid - 1pc</p>

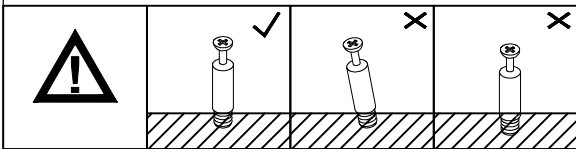
Hardware List - WF306444

A  $\phi 13 \times 1/4" \times 28 \text{mm}$	B  $\phi 1/4" \times 16 \times 1 \text{mm}$	C  $\phi 6 \times 35 \text{mm}$
Hex-Head bolts(10pcs)	Washer(10pcs)	Three in one bolts(15pcs)
D  $\phi 14.5 \times 12 \text{mm}$	E  $\phi 8 \times \phi 4 \times 25 \text{mm}$	F  $\phi 8 \times \phi 4 \times 32 \text{mm}$
Three in one lock(15pcs)	Round head screw(4pcs)	Round head screw(26pcs)
G 	H 	I  $\phi 5/32" \times 22 \text{mm}$
Handle (4pcs)	Handle (1pc)	Handle screw(1pc)
J  $\phi 5/32" \times 28 \text{mm}$	K 	L  $\phi 7 \times \phi 3.5 \times 12 \text{mm}$
Handle screw(8pcs)	L-Bracket (2pcs)	Round head screw (6pcs)
M 	N 	O  $\phi 7 \times \phi 3.5 \times 15 \text{mm}$
USB power socket(1pcs)	Damping hinge (2pcs)	Flat head screw(12pcs)
P  $\phi 300 \times 35 \text{mm}$	Q  $\phi 298 \times 18 \text{mm}$	R  $\phi 6 \times \phi 3 \times 12 \text{mm}$
Slide rails (6pcs)	Slide rails(6pcs)	Flat head screw(36pcs)
S  $\phi 8 \times 30 \text{mm}$	T  $\phi 6 \times 30 \text{mm}$	U  4mm
Wood dowel(22pcs)	Wood dowel(4pcs)	Allen key(1pc)
V 		
Anti fall hardware(1set)		

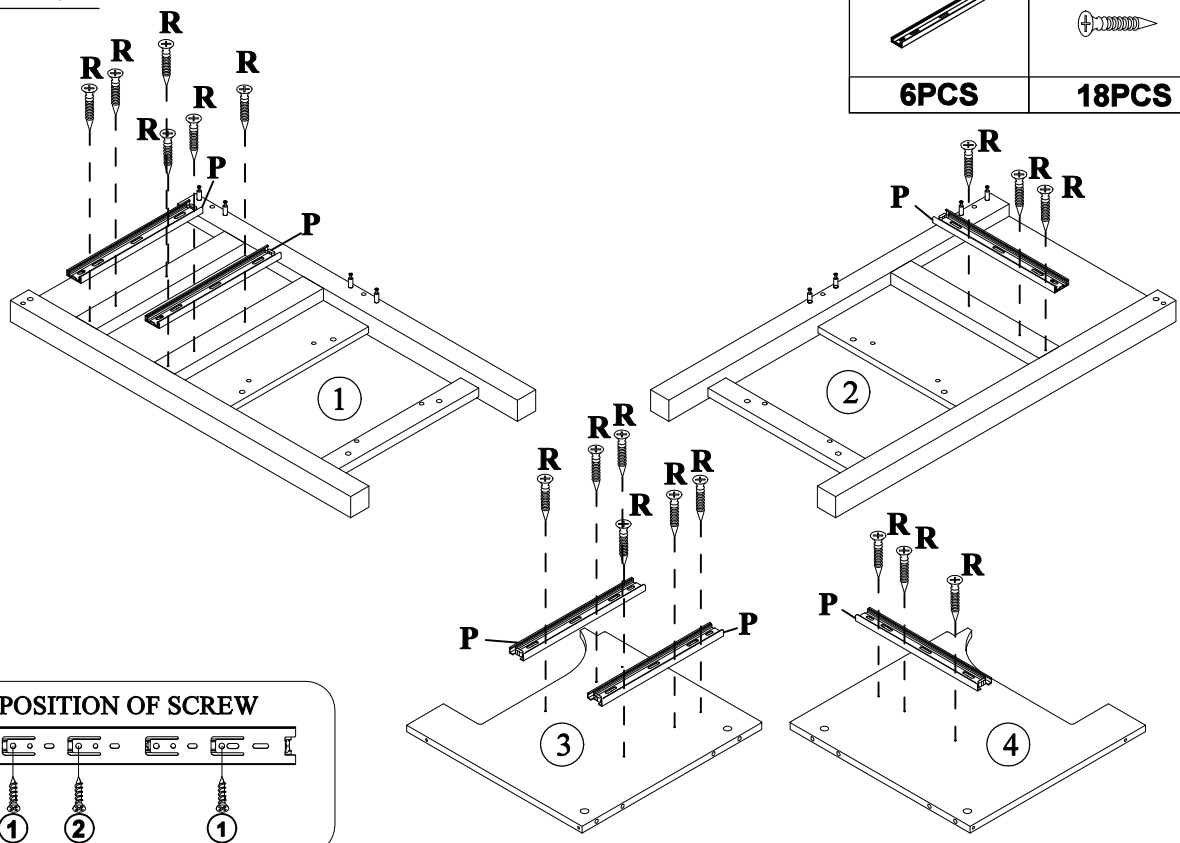
STEP: 1





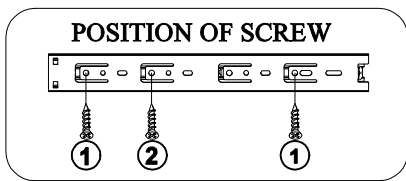
C	
15PCS	




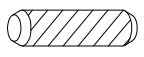
STEP: 2

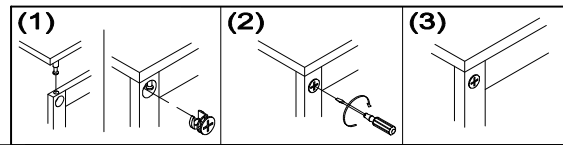
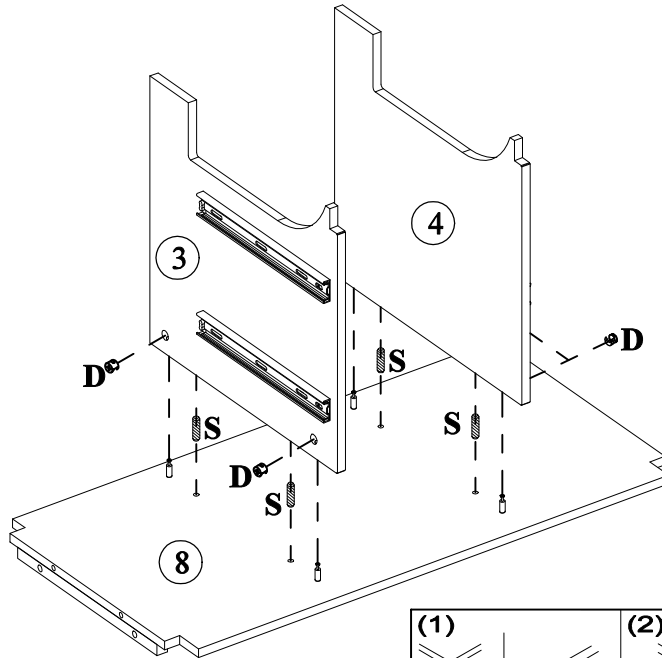


P		R	
6PCS		18PCS	


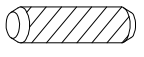



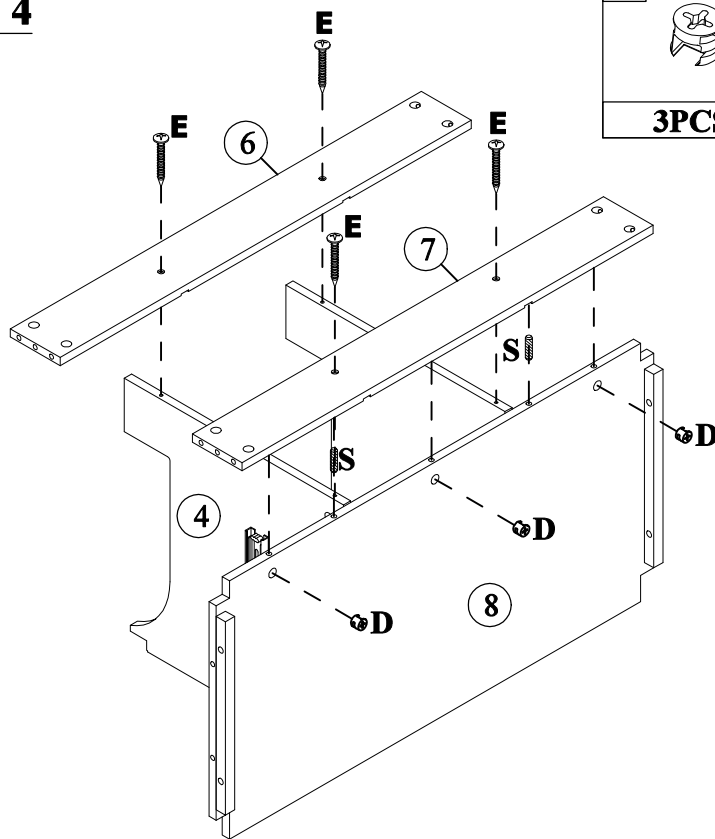
STEP: 3

D		S	
	4PCS		4PCS






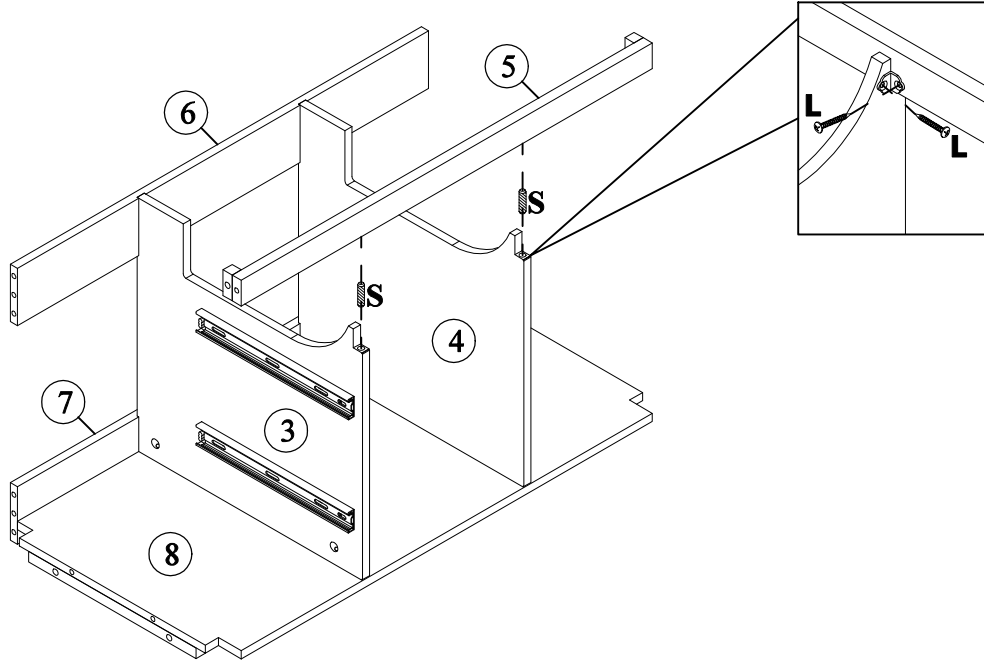
STEP: 4

D		S		E	
	3PCS		2PCS		4PCS







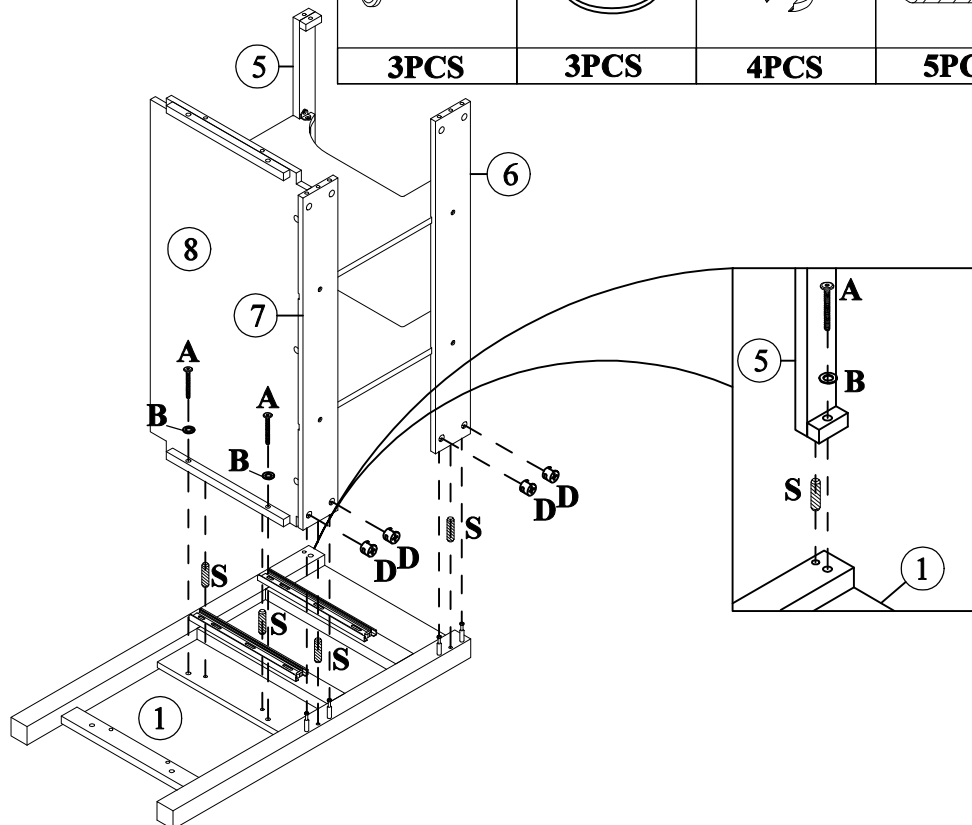
STEP: 5

K 	L 	S 
2PCS	4PCS	2PCS



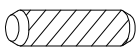


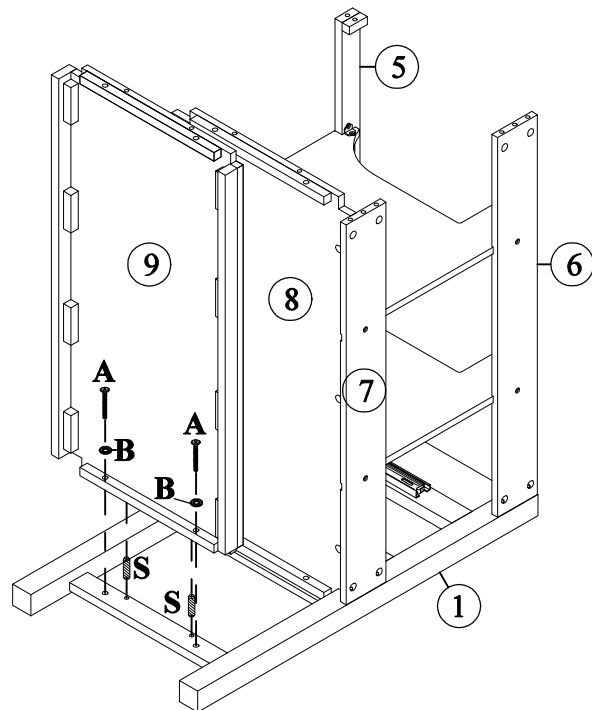
STEP: 6

A 	B 	D 	S 
3PCS	3PCS	4PCS	5PCS

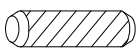


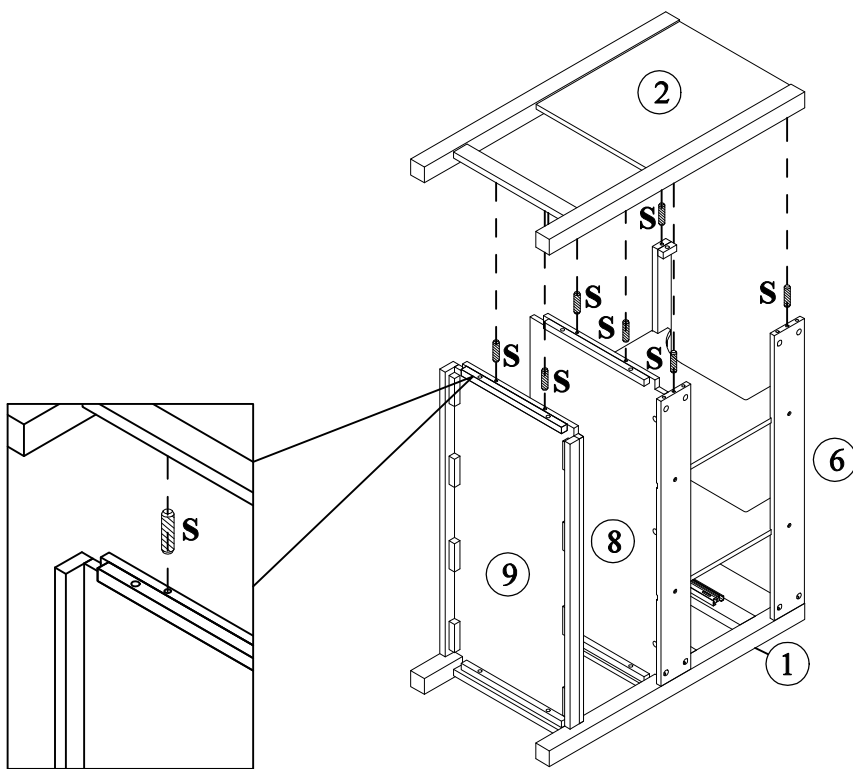
STEP: 7

A 	B 	S 
2PCS	2PCS	2PCS






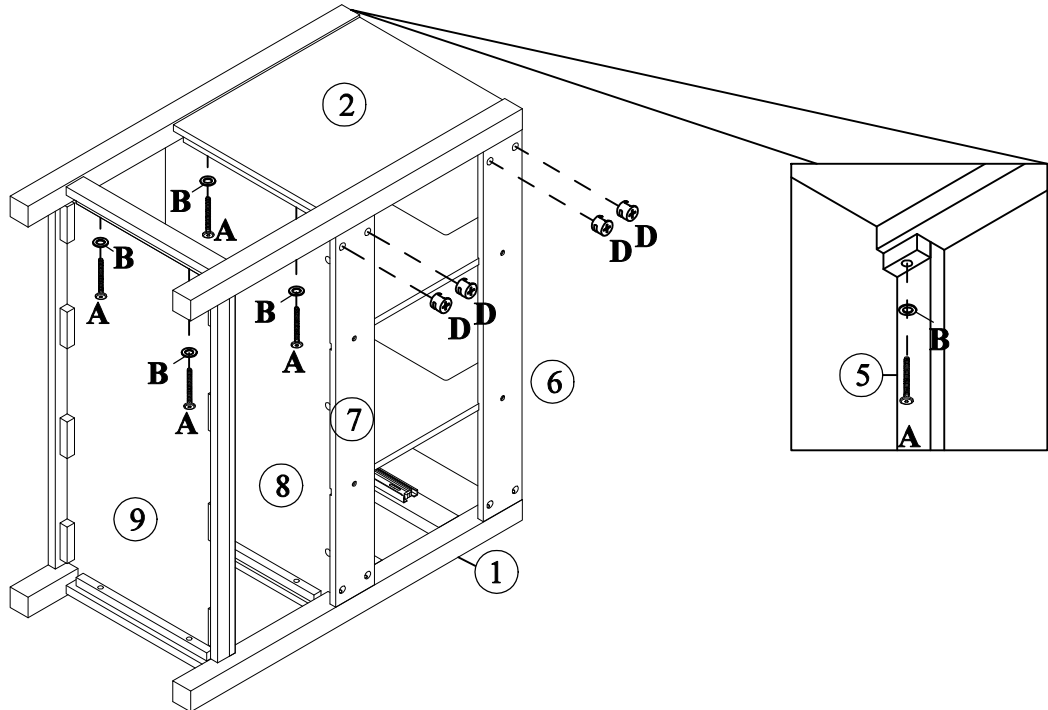
STEP: 8

S 
7PCS


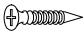


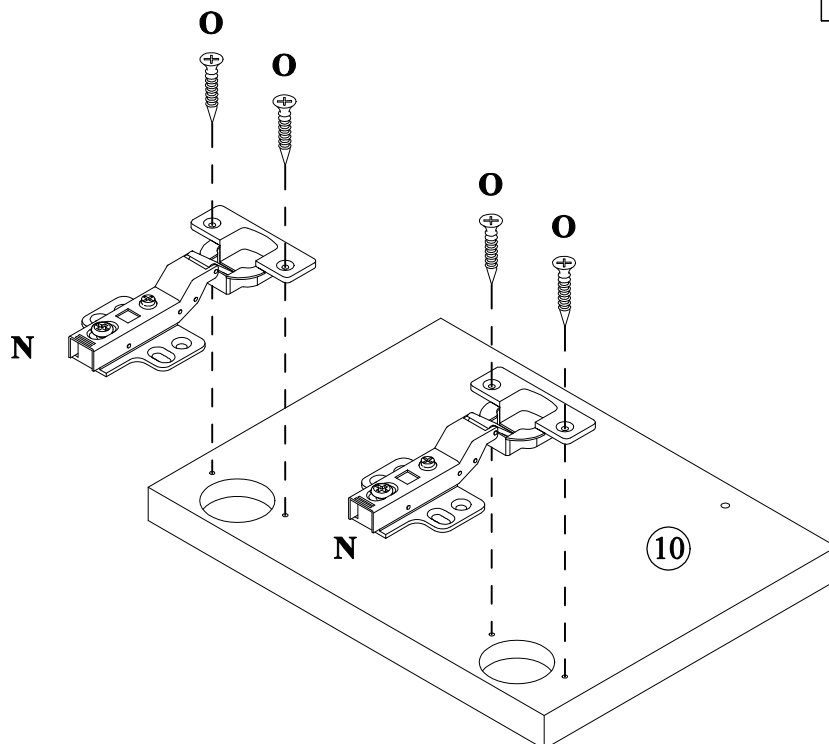
STEP: 9

A	B	D
		
5PCS	5PCS	4PCS

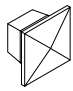
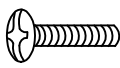



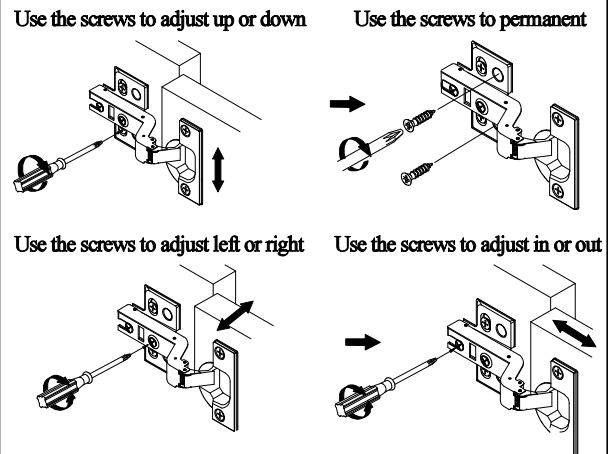
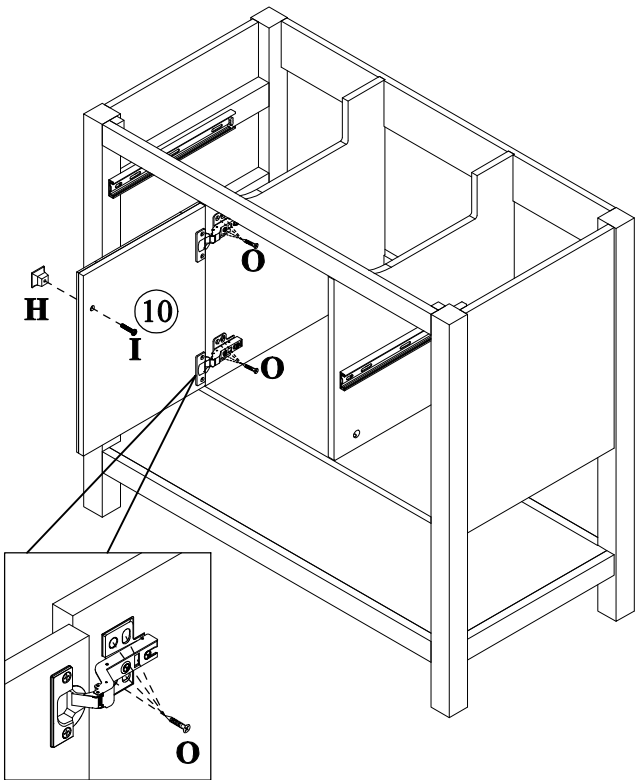
STEP: 10

N	O
	
2PCS	4PCS


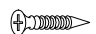



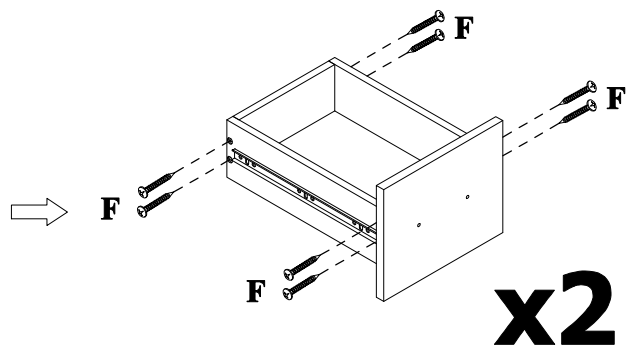
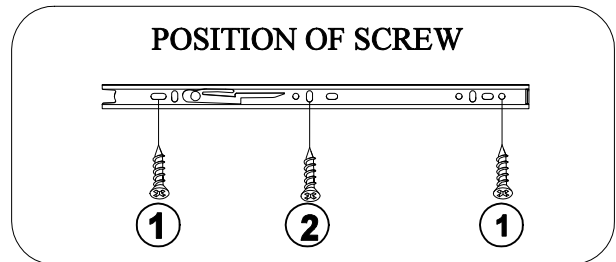
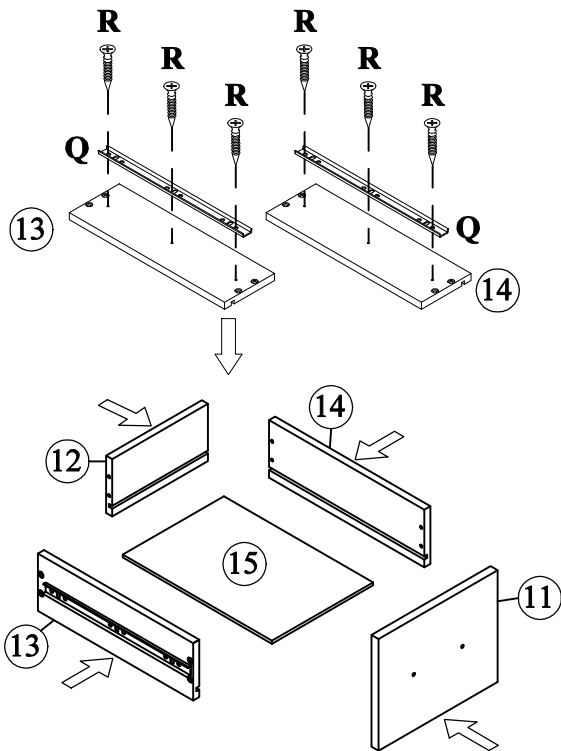
STEP: 11

H 	I 	O 
1PC	1PC	8PCS

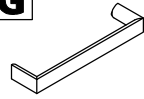
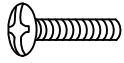


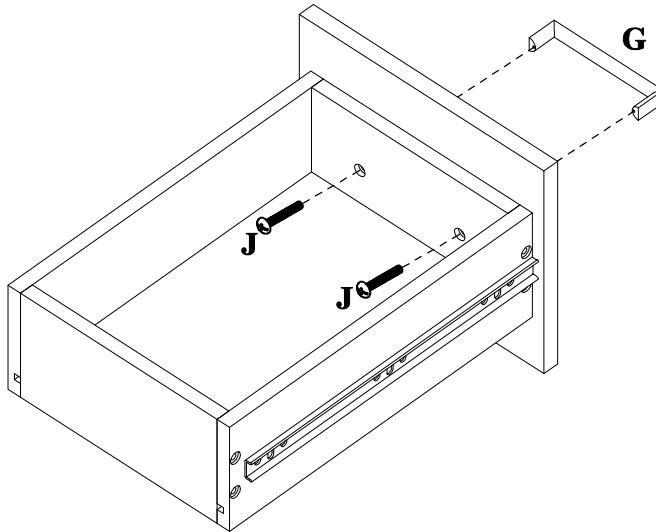
STEP: 12

Q 	R 	F 
4PCS	12PCS	16PCS



STEP: 13

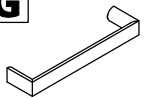
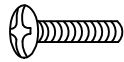

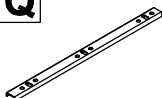
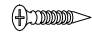
G		J	
2PCS		4PCS	

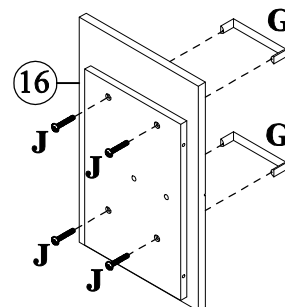
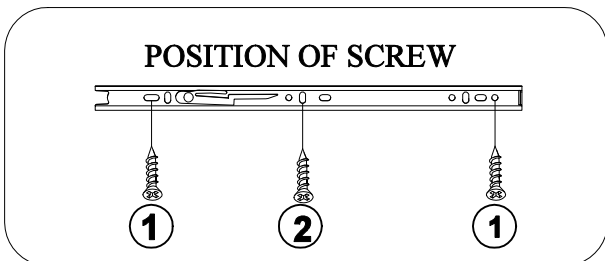
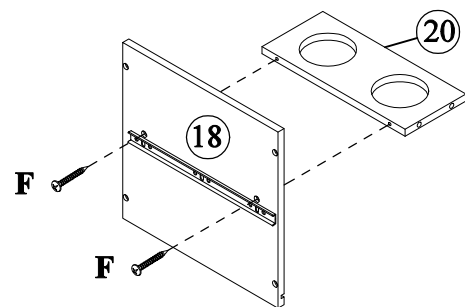
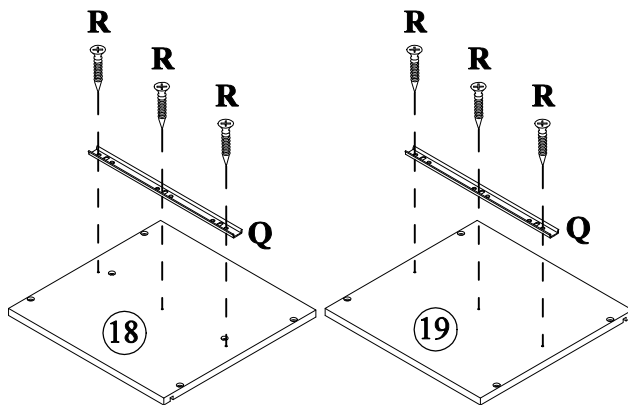


x2


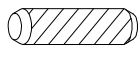
- 14(a)~16(a) Install drawers and add circular storage boards, which are convenient for placing hair dryers and other electrical appliances
- 14(b)~16(b) You can choose not to install a round shelf when installing drawers, which increases the storage space inside the drawer and makes storage more convenient

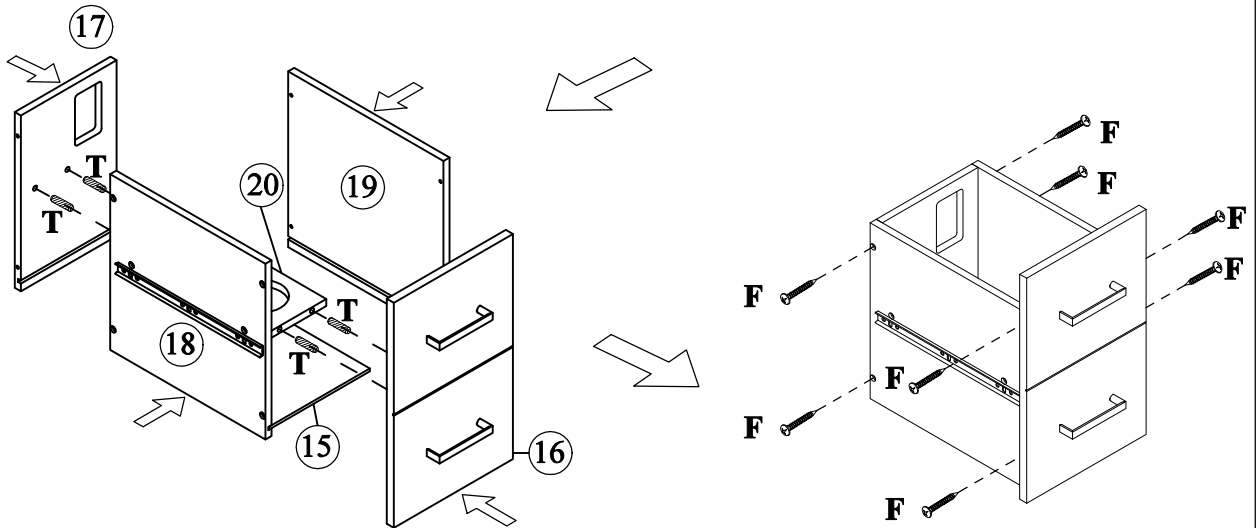
STEP: 14 (a)

G		J		F		Q		R	
2PCS		4PCS		2PCS		2PCS		6PCS	





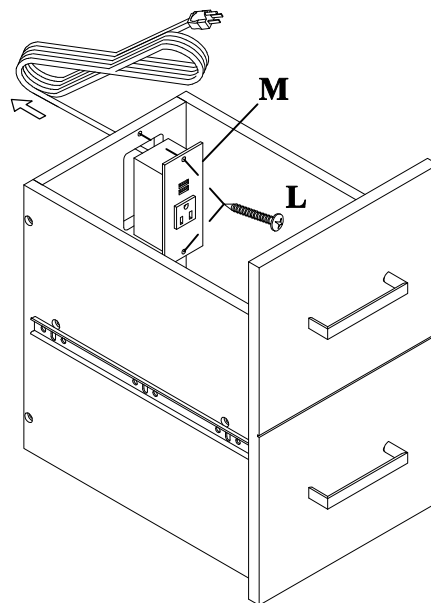
STEP: 15 (a)

F	T
	
8PCS	4PCS

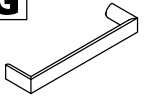
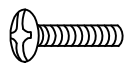

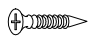


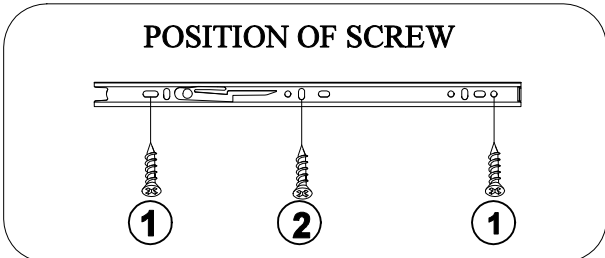
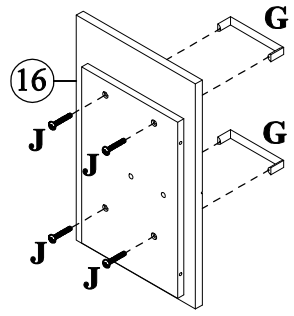
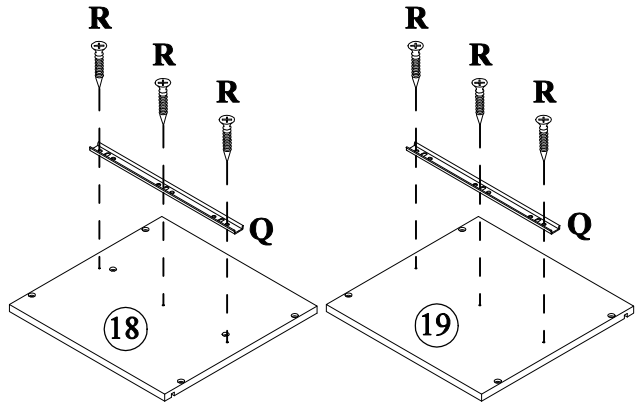
STEP: 16 (a)

M	L
	
1PC	2PCS

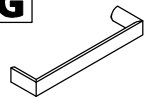
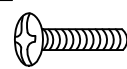



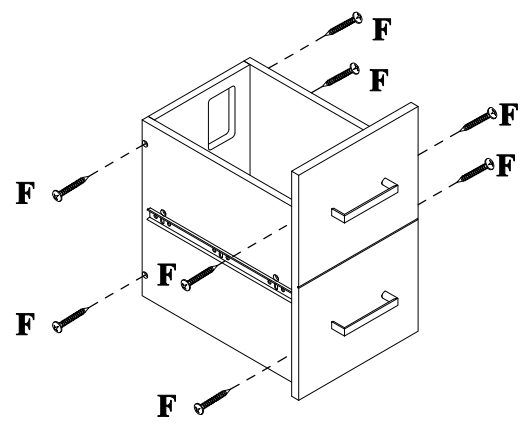
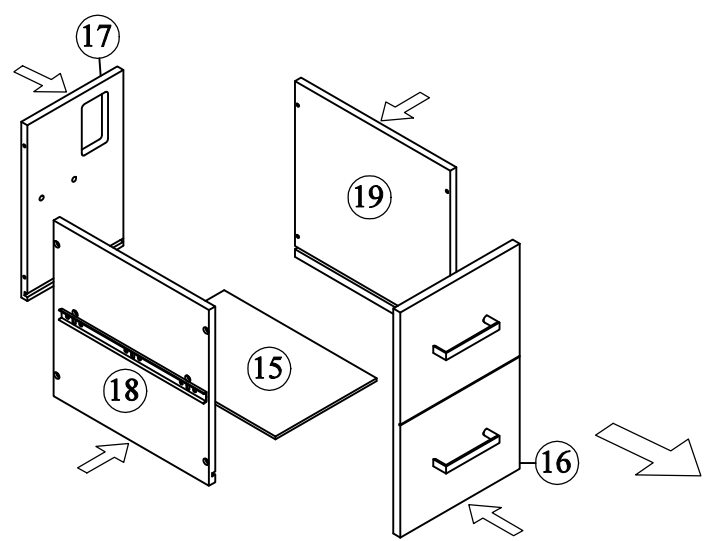
STEP: 14 (b)

G		J		Q		R	
2PCS		4PCS		2PCS		6PCS	





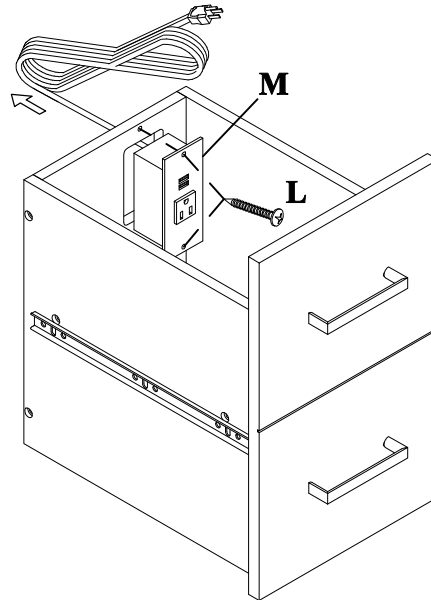
STEP: 15 (b)

G		J		F	
2PCS		4PCS		8PCS	

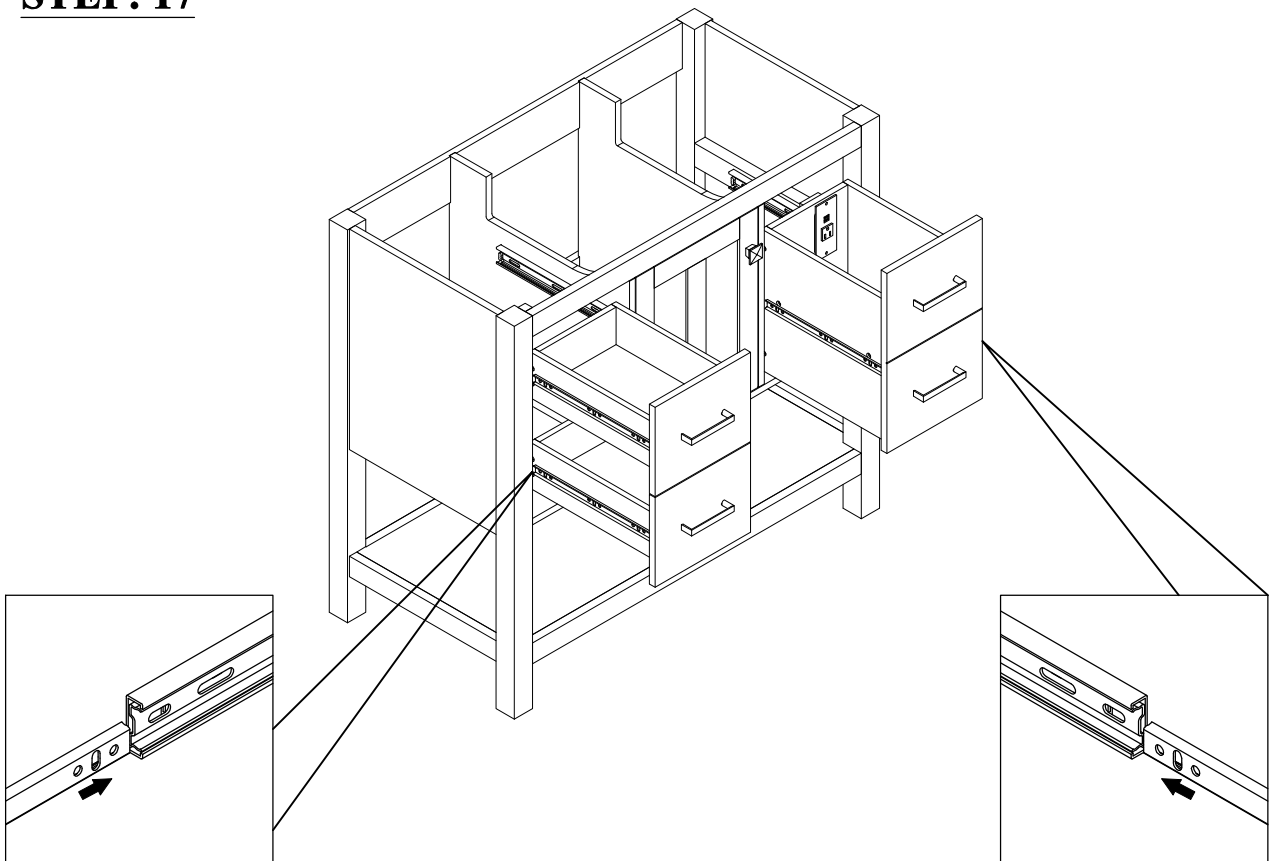


STEP: 16 (b)

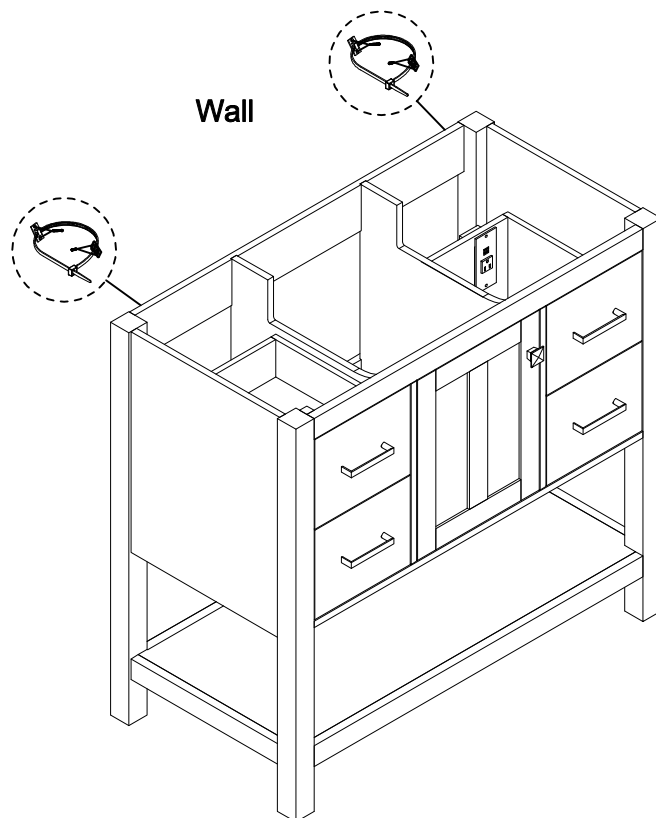
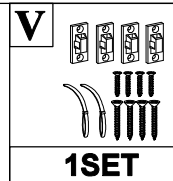
M 	L 
1PC	2PCS



STEP: 17

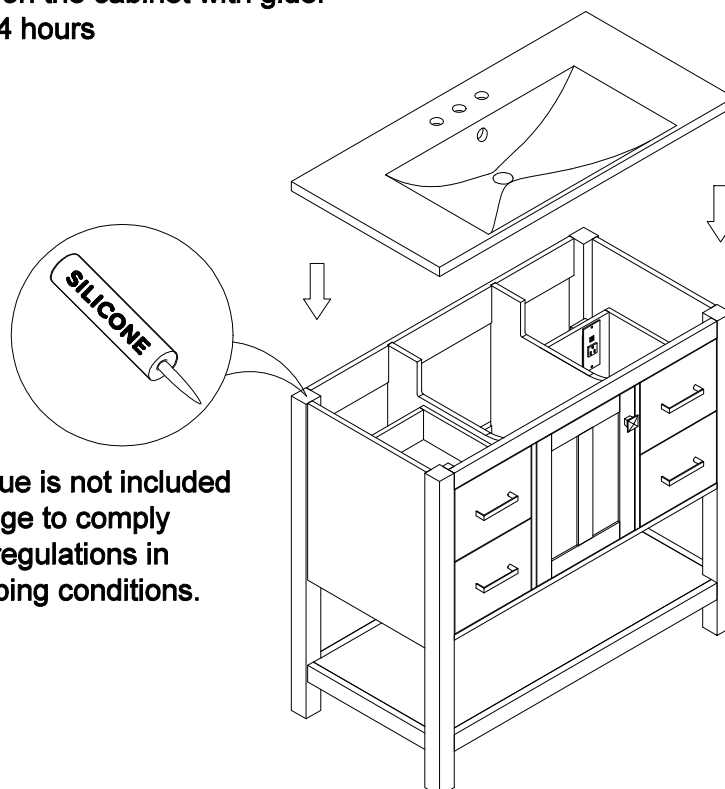


STEP: 18



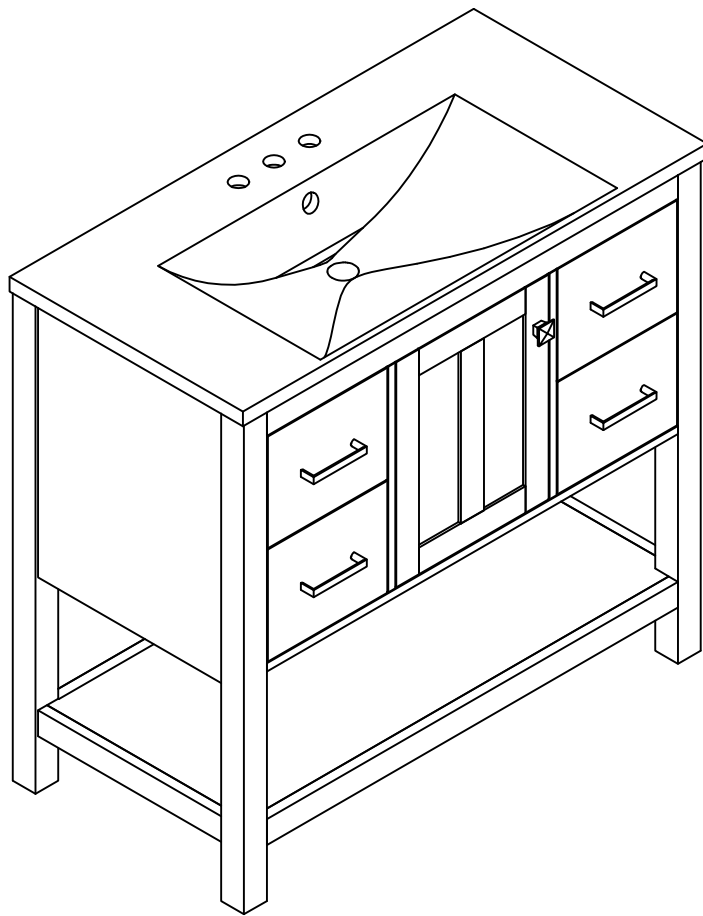
STEP: 19

Install the sink on the cabinet with glue.
Let stand for 24 hours

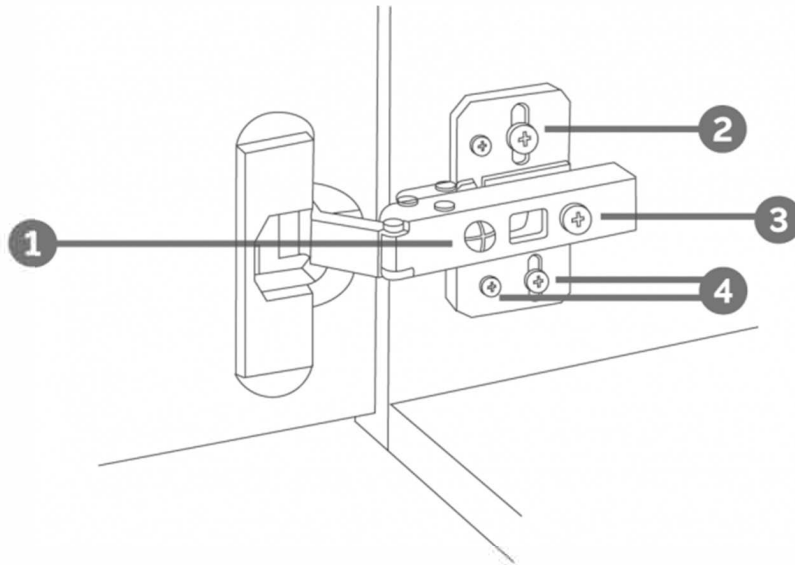


*Silicone glue is not included
in the package to comply
with safety regulations in
certain shipping conditions.

STEP: 20

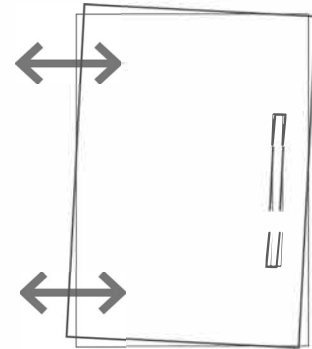


HINGE ADJUSTMENTS



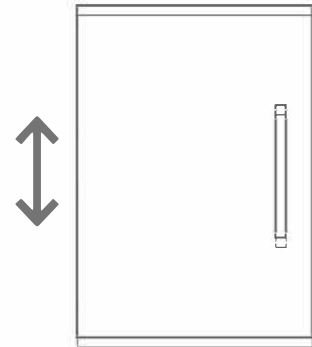
1 Sideways / Tilt adjustment

Turn the screw
clockwise to move the door further away from
the side of the cabinet
anticlockwise to move the door closer to the
side of the cabinet



2 4 Height adjustment

While supporting the weight of the door, turn the
screws
clockwise to move the door up
anticlockwise to move the door down



3 Forward and back adjustment

If the gap between the back of the door and the
cabinet is too small, and the door may not close
fully. Turn the screw
clockwise to decrease the gap between the
door and the cabinet
anticlockwise to increase the gap between the
door and the cabinet

