

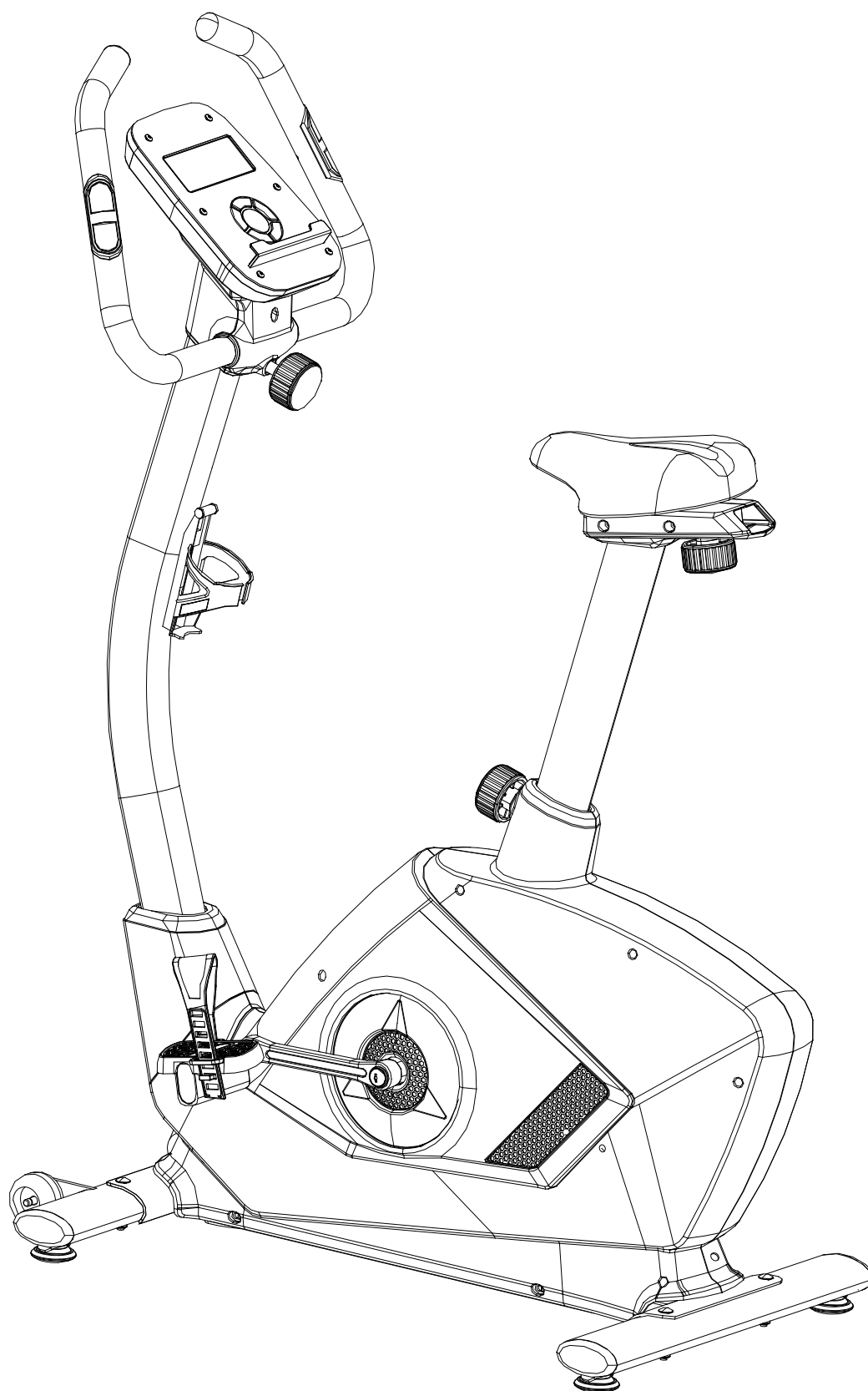


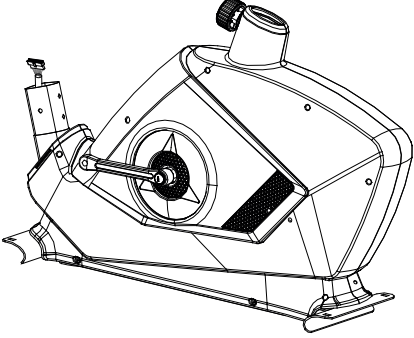
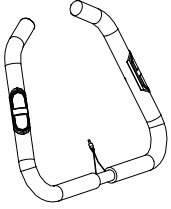


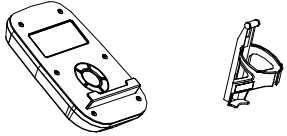
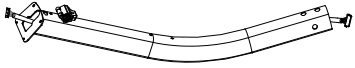

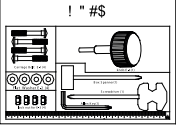
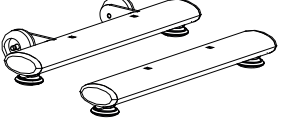
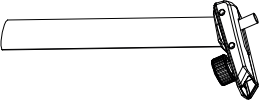
# ONE GB50

## ASSEMBLY GUIDE

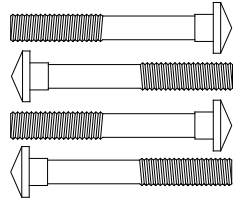
**Reebok**  
**ONE** SERIES

**GB50.**  
**ASSEMBLY GUIDE**

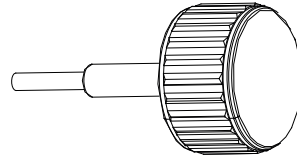


<p>D</p>			
<p>B D-32 D-33</p>	 	<p>D-29 D-35</p>	
<p>A D-34</p>		<p>C</p>	
<p>D-30 D-31</p>		<p>E</p>	
<p>G F</p>		<p>H</p>	

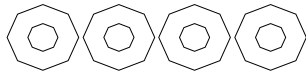
**GB50.**  
**ASSEMBLY GUIDE**



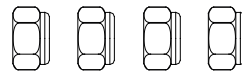
Carriage Bolt E-1 (4)



Knob E-4 (1)



Flat Washer E-2 (4)



Lock Nut for E-3 (4)



Box Spanner (1)



Screwdriver (1)



Allen Key (1)



## 1



Carriage bolt E-1 (4)



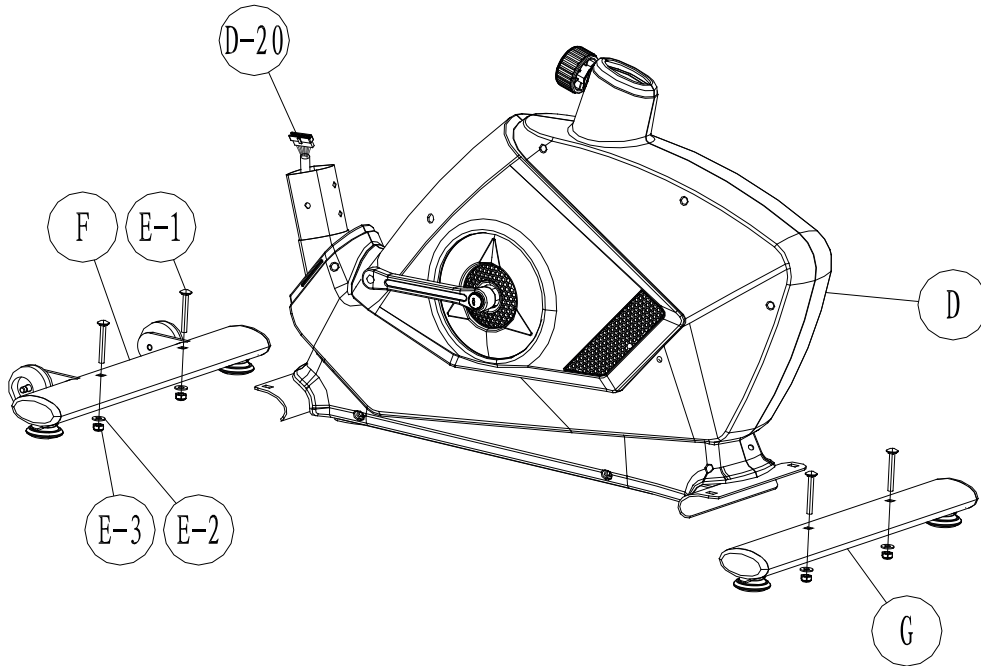
Lock nut for E-3 (4)



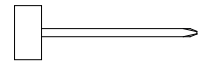
Flat washer E-2 (4)



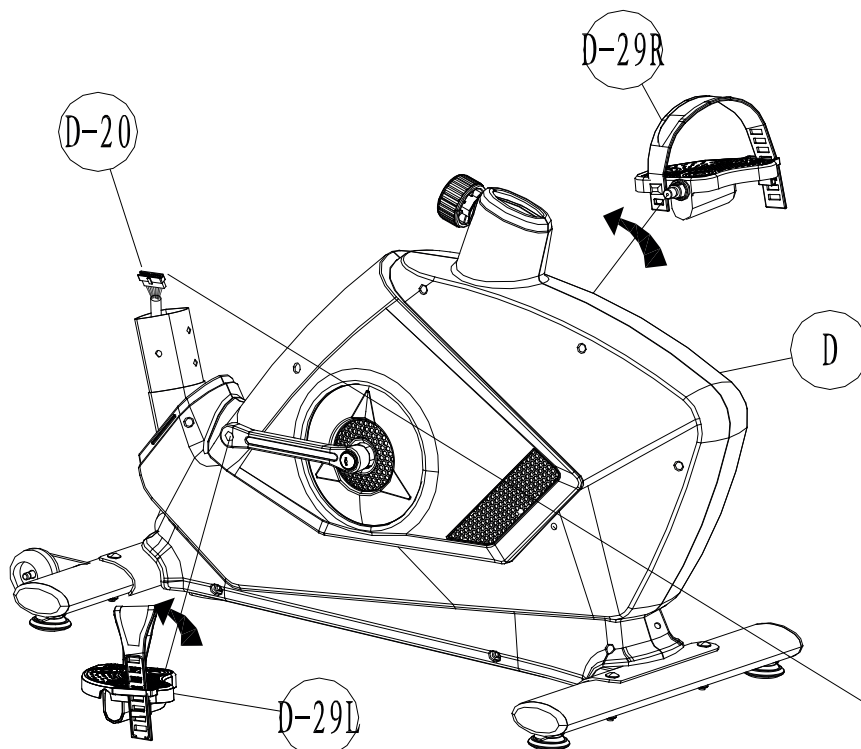
Box spanner (1)



## 2

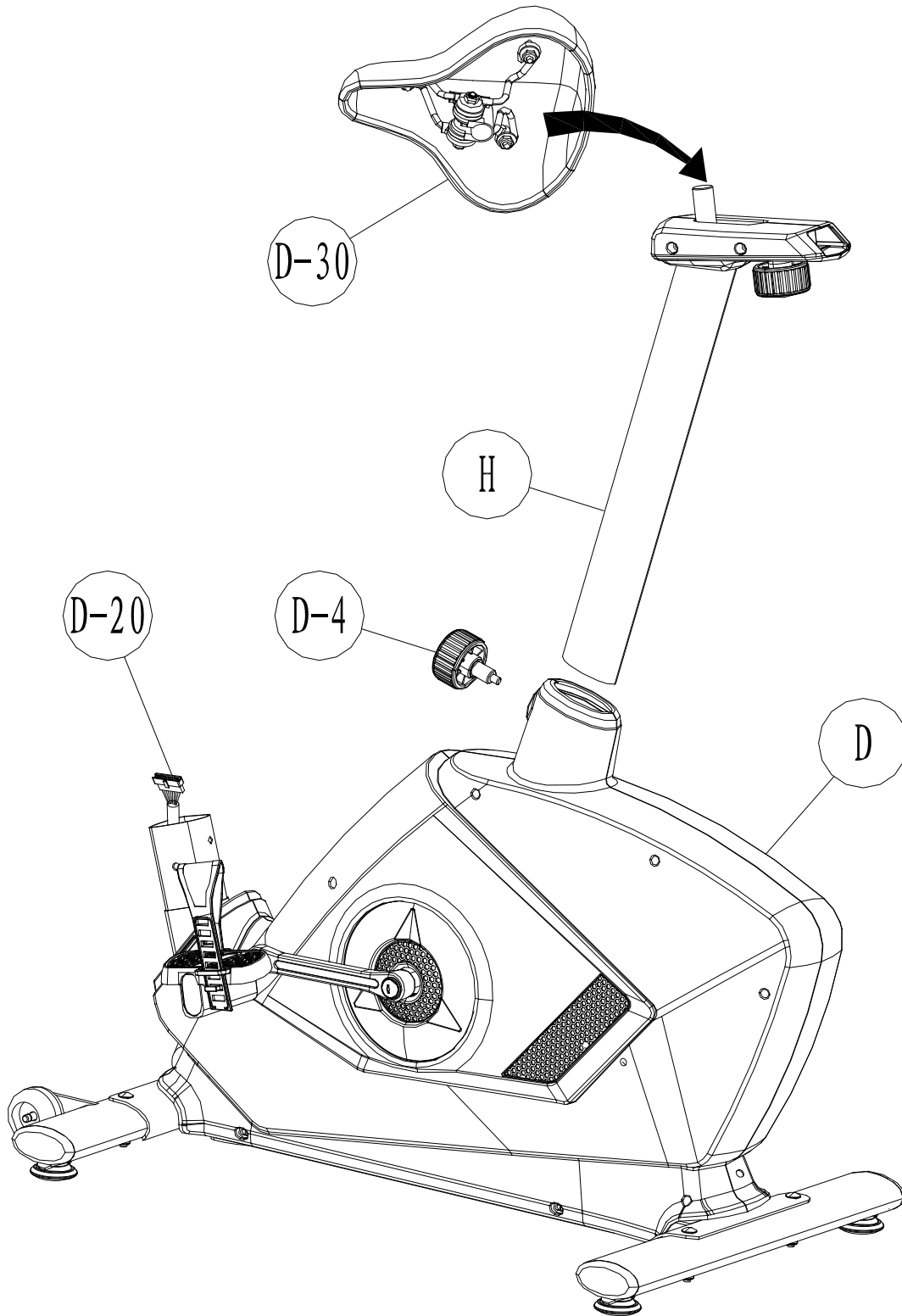


Box spanner (1)



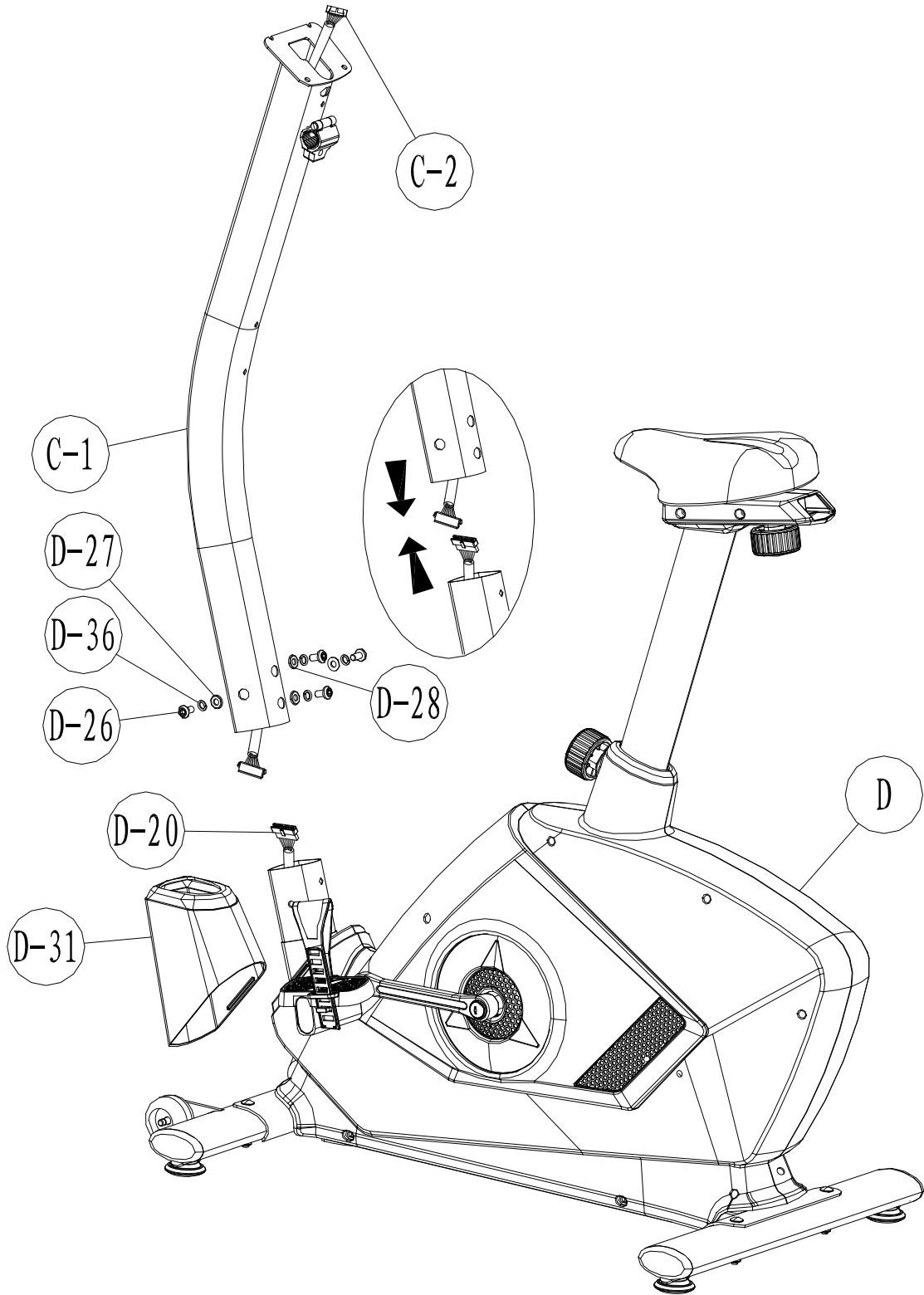


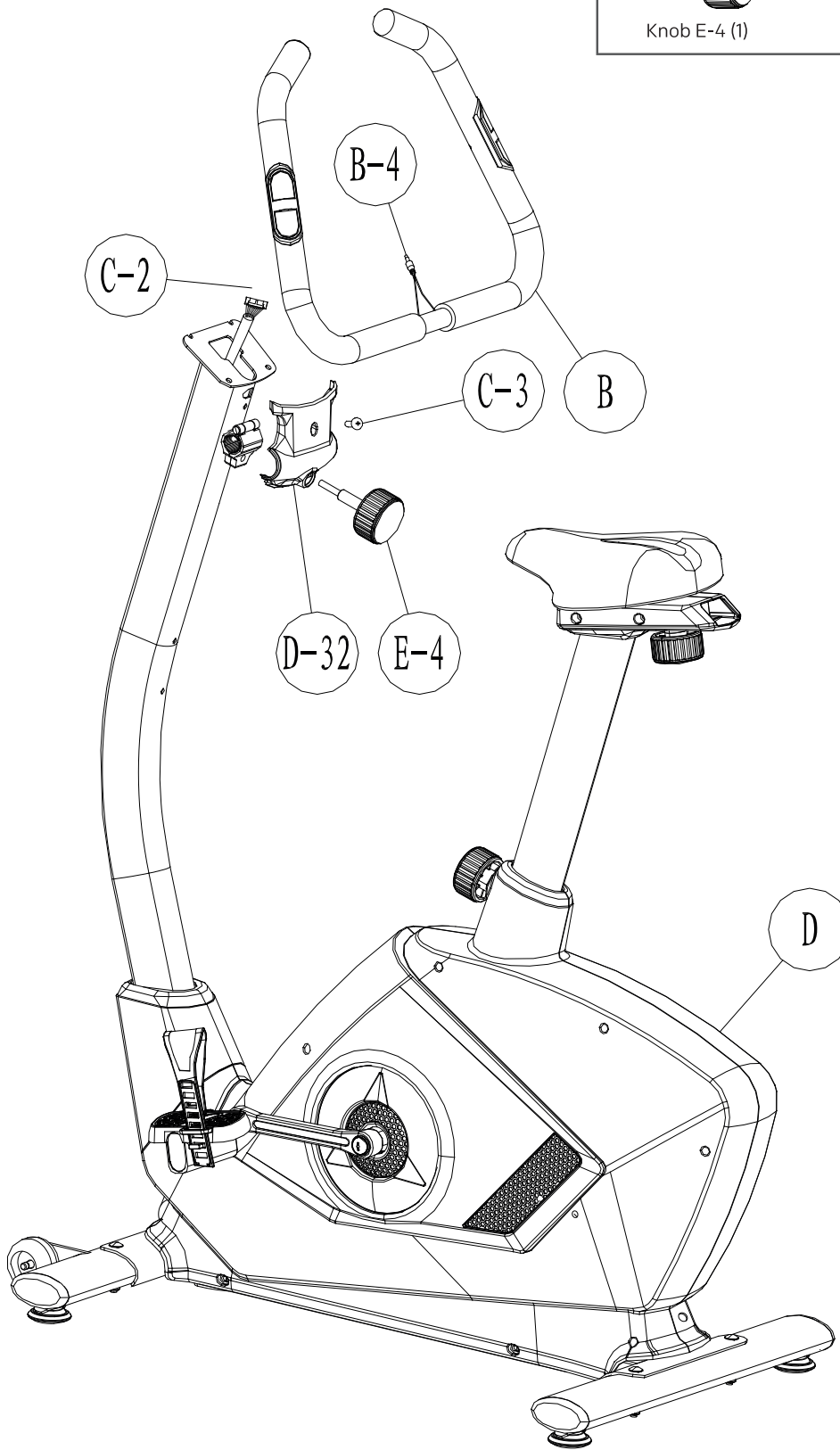
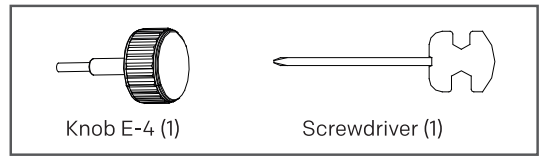
Screwdriver (1)



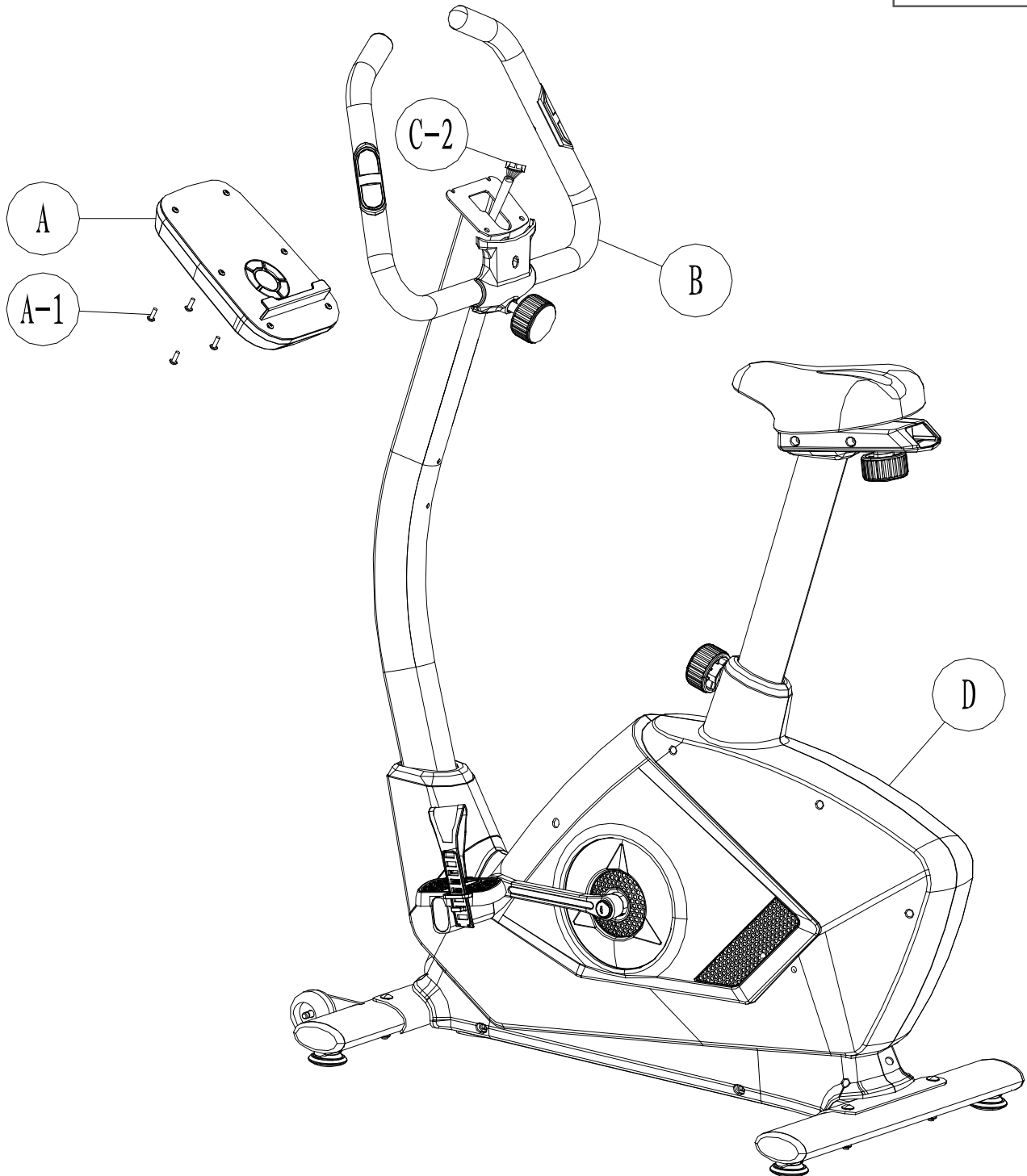
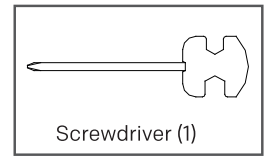


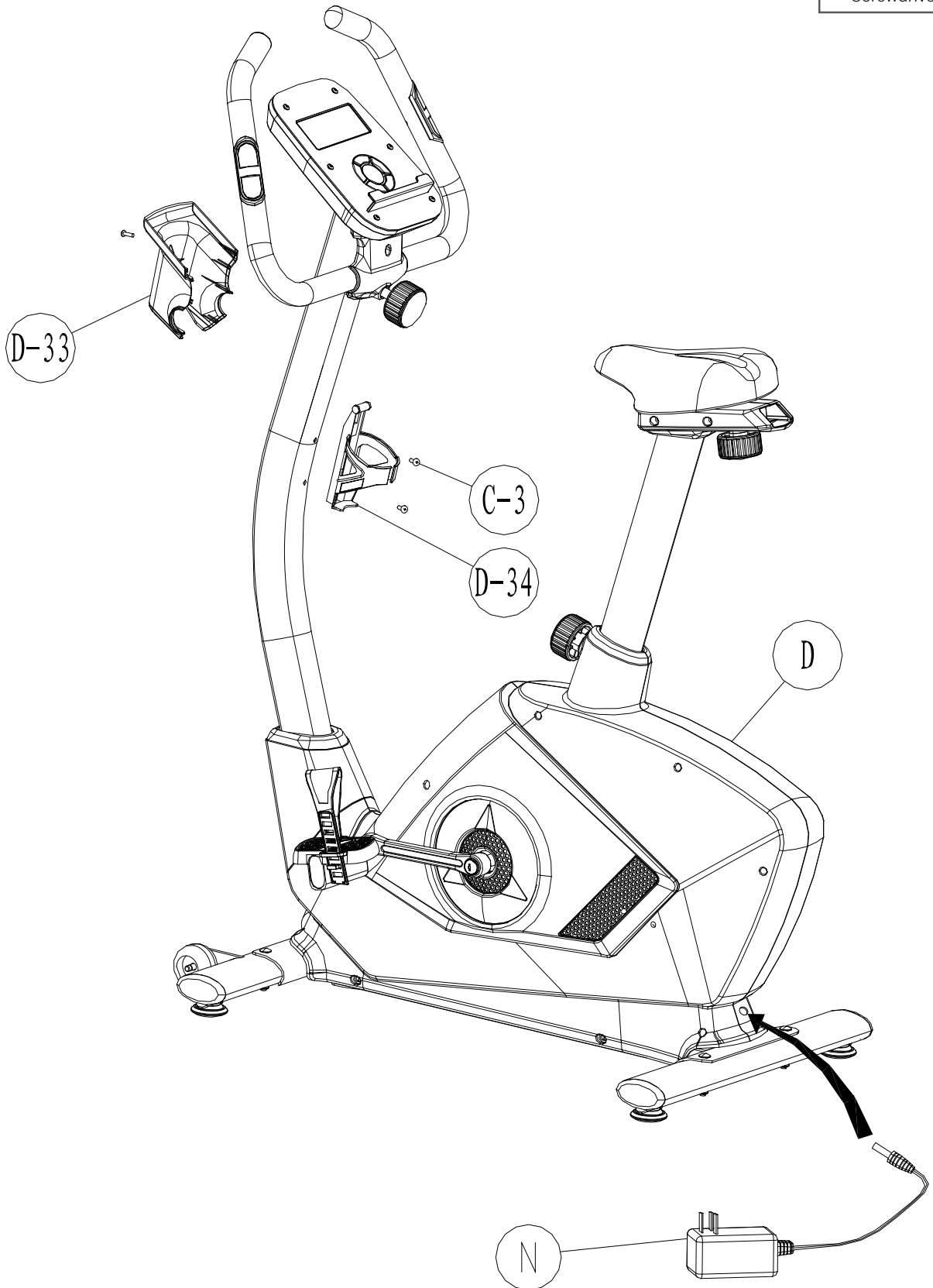
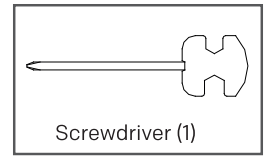
Allen Key (1)

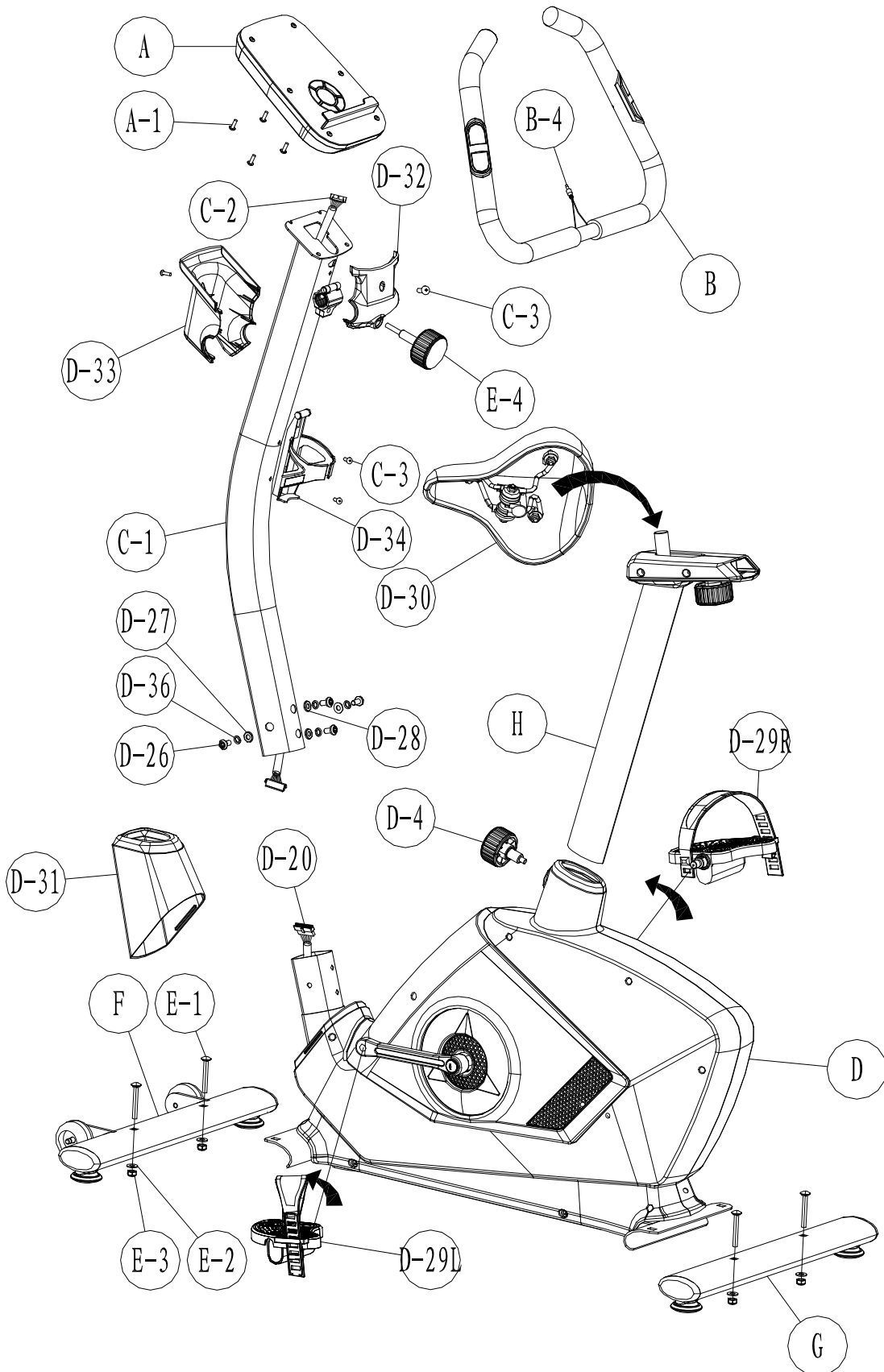


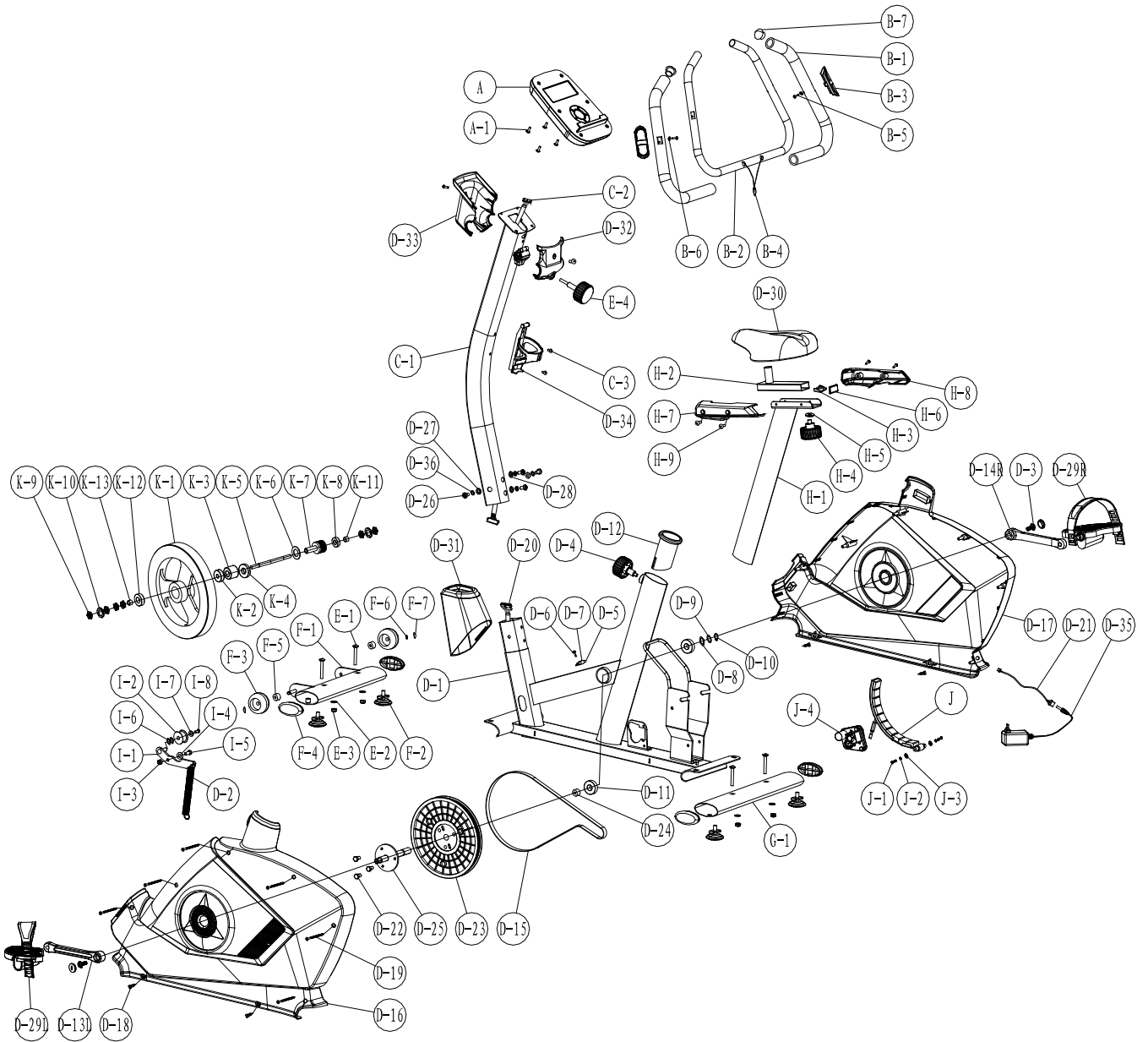


## 6











## SPARE PARTS LIST

ITEM	DESCRIPTION	EVb SPEC	Q'TY	
A-1	Console	PE-SM76490027102	1	PCS
A-2	Screw	1C1210-500-B00	4	PCS
B	Front handlebar set	AA-A-PA3728-9000	1	SET
B-1	Front handlebar	PT-P-PB6917-1000	1	PCS
B-2	Foam grip	PL-P-PB3317-1002	2	PCS
B-3	Handlebar	PL-P-PB1554-10E7	2	PCS
B-4	Hand pulse	1PC1007-12B1	2	PCS
B-5	Screw	PD-SUM10420-1002	2	PCS
B-6	Heart rate wire	B6120-E206500650-000	1	PCS
B-7	Semi Washer	PH-P-PB4109-1002	2	PCS
C	Upper handlebar set	AA-GX50FA04-9000	1	SET
C-1	Left handlebar(upper)	MT-GX50F007-7002	1	PCS
C-2	End cap	PL-P-PB1564-10E7	2	PCS
C-3	Foam grip	PL-P-PB3312-1102	2	PCS
C-4	Right handlebar(upper)	MT-GX50F008-7002	1	PCS
D	Handlebar post set	AA-GX50FA02-9000	1	SET
D-1	Handlebar	MT-GX50FW02-7002	1	PCS
D-2	Cable	B3192-CD-11150CB1-600	1	PCS
D-3	Screw	PD-SWM20615-1002	2	PCS
D-4	Sleeve	PL-P-PB5343-1002	2	PCS
D-5	Screw	PD-SWM40520-1002	4	PCS
E	Lower handlebar set	AA-GX50FA03-9000	(2)	SET
E-1	Lower handlebar	MT-GX50FW03-7002	2	PCS
E-2	Sleeve	PL-P-PB6666-1002	4	PCS
E-3	Fixed axle of lower handlebar	PH-P-PB6634-1000	2	PCS
E-4	Sleeve of axle	PL-P-PB5343-1002	4	PCS
E-5	Screw	PD-SWM20514-1002	4	PCS
F-1	Main frame set	MT-GX50FW01-7002	1	PCS
F-2	C ring	PD-KC012000-1002	1	PCS
F-3	Wave washer	PD-WD062030-1002	1	PCS
F-4	Flat washer	PD-WN222030-1002	1	PCS
F-5	Wire	B7030-D10500D6-260	1	PCS
F-6	Sensor bracket	PE-P-PB4310-1000	1	PCS
F-7	DC wire	B3192-3B405003H2-00	1	PCS
F-8	Screw	PD-SDM20410-1041	1	PCS
F-9	Bearing	PH-BA2-6004-1000	2	PCS
F-10	Nut	PD-NK111008C1241	2	PCS
F-11	Pulley	PH-LJ6M1219-1100	1	PCS
F-12	Screw	PD-SBM20450-1041	4	PCS

ITEM	DESCRIPTION	EVb SPEC	Q'TY	
F-13	Screw	PD-SBM20516-1241	6	PCS
F-14	Left cover	ML-GX50-001-1002	1	PCS
F-15	Right cover	ML-GX50-011-1002	1	PCS
F-16	Cap of handlebar post	PL-GX50-090-1002	1	PCS
F-17	Footplate tube, left front cover	PL-X600-013-1002	2	PCS
F-18	Footplate tube, right front cover	PL-X600-014-1002	2	PCS
F-19	Left pedal	PL-X600-007-1002	1	PCS
F-20	Right pedal	PL-X600-008-1002	1	PCS
F-21	Fixed shaft of handlebar	PH-P-PB6918-1000	1	PCS
F-22	Wire of servo motor	B3193-CC110002C1-300	1	PCS
F-23	Screw	PD-SRM20820-1082	4	PCS
F-24	Flat washer	PD-WN220819-1082	2	PCS
F-25	Semi Washer	PD-WA220819-1082	2	PCS
F-26	Front cap of upper handlebar	PL-S-SF0310-1002	2	PCS
F-27	Rear cap of upper handlebar	PL-S-SF0311-1002	2	PCS
F-28	Front cover of handlebar	PL-SB03-003-1002	1	PCS
F-29	Rear cover of handlebar	PL-SB03-013-1002	1	PCS
F-30	Water bottle holder	PL-P-PB2074-1024	1	PCS
F-31	Footplate tube rear cover, upper left	PL-X600-009-1002	1	PCS
F-32	Footplate tube rear cover, upper right	PL-X600-010-1002	1	PCS
F-33	Footplate tube rear cover, lower left	PL-X600-011-1002	1	PCS
F-34	Footplate tube rear cover, lower right	PL-X600-012-1002	1	PCS
G	Flywheel set	AA-A-PA3540-9000	1	SET
G-1	Flywheel	PH-FAY28032c1002	1	PCS
G-2	Nut	PD-NNI21224-1041	5	PCS
G-3	Flywheel axle	PH-P-PB5535-1002	1	PCS
G-4	Flat washer	PD-WN121014-1041	1	PCS
G-5	Bearing	PH-BA2-6000-1000	1	PCS
G-6	Bearing	PH-BA2-6300-1000	1	PCS
G-7	Bushing	PH-P-PA-009-1000	1	PCS
G-8	Star washer	PD-WO121017-1041	2	PCS
H	Magnet set	AA-A-PA3641-9000	1	SET
H-1	Screw	PD-SHM20616-1041	2	PCS
H-2	Flat washer	PD-WN120613-1041	2	PCS
H-3	Spring washer	PD-WS210600-1041	2	PCS
I	Pedal tube set	AA-X600FA03-9001	1	SET
I-1	Left pedal	MT-X600FW04-7002	1	PCS

# GB50. ASSEMBLY GUIDE

ITEM	DESCRIPTION	EVB SPEC	Q'TY	
I-2	Screw	PD-SWM20514-1041	4	PCS
I-3	Right pedal tube	MT-X600FW03-7002	1	PCS
J	Front stabilizer set	AA-GB40FA04-9100	1	SET
J-1	Front stabilizer	MT-GB40FW04-7002	1	PCS
J-2	Nap	PL-P-PB5062-1024	2	PCS
J-3	Roller	PL-P-PB3031-1002	2	PCS
J-4	Nut	PD-NQM10800-1002	2	PCS
J-5	End cap	PL-P-PB2796L1002	2	PCS
J-6	Bushing	PH-P-PB3112-1000	2	PCS
J-7	C ring	PD-KC010800-1002	2	PCS
K	Rear stabilizer set	AA-GB40FA05-9100	1	SET
K-1	Rear stabilizer	MT-GB40FW05-7002	1	PCS
K-2	End cap	PL-P-PB5062-1024	2	PCS
K-3	Nap	PL-P-PB2796L1002	2	PCS
L	Idler set	AARIVOM0FA049001	1	SET
L-1	Idler	MT-ARM-FW04-5000	1	PCS
L-2	Screw	PD-SHM20612-1041	1	PCS
L-3	Flat washer	PD-WN120613-1041	1	PCS
L-4	Jockey wheel	PH-P-PB3852-1000	1	PCS
L-5	Flat washer	PD-WN210825-1141	1	PCS
L-6	Screw	PD-SHM10820-1141	1	PCS
L-7	Nut	PD-NNM20800-1041	1	PCS
L-8	Spring	PH-P-PB3090-1002	1	PCS
L-9	Spring bracket	PH-P-PB3091-1000	1	PCS
L-10	Wave washer	PD-WD061015-1002	2	PCS
L-11	Screw	PD-SHM2061001000	1	PCS
M	Servo motor set	AA-A-PA3655-9002	1	SET
N	Adapter	PE-P-PB6829-1300	1	PCS
P	Screw set	AA-GX50FA08-9000	1	PCS
P-1	Screw	PD-SMM40855-1002	4	PCS
P-2	Nut	PD-NNM20800-1002	8	PCS
P-3	Screw	PD-SMM30840-1002	4	PCS
P-4	Semi washer	PD-WA220819-1102	4	PCS
P-5	Flat washer	PD-WN410825-1002	2	PCS
P-6	Nylon	PD-SEM10820-7600	2	PCS
P-7	Flat washer	PD-WN222030-1002	2	PCS
P-8	Knob of pedal	PD-P-PB-717-1002	4	PCS
P-9		PD-SMM20640-1002	4	PCS
P-10	Sping washer	PD-WS210600-1102	4	PCS
P-11	Bushing	PH-P-PB-619-1000	4	PCS

ITEM	DESCRIPTION	EVB SPEC	Q'TY	
P-12	Screw	PD-SOM10730-1202	1	PCS
P-13	Flat washer	PD-WN410712-1002	1	PCS
P-14	Spring washer	PD-WS410700-1002	1	PCS
P-15	Screw	PD-SBM40325-1002	8	PCS
P-16	Screw	PD-SRM20812-1002	4	PCS
P-17	Flat washer	PD-WN320816-1002	4	PCS
P-18	Flat washer	PD-WN240819-1002	4	PCS
P-19	Bushing wrench	PH-P-PA-622-1000	2	PCS
P-20	Six wrench	PH-P-PA-085-1002	2	PCS
Q	Axle set	AA-A-PA3505-9000	1	SET
Q-1	Axle	PR-P-PW4325-1000	1	PCS
Q-2	Bushing	PH-P-PB4070-1000	1	PCS
Q-3	Screw	PD-SHM20812-1102	3	PCS
Q-4	Pulley	PL-PJ6A2601-1002	1	PCS
R	Disc set	AA-GX50FA05-9000	1	SET
R-1	End cap of disc	PL-P-PB5638-1002	2	PCS
R-2	Cross-brace	MT-X401FW05-7002	2	PCS
R-3	Disc	L-S-GX5042-1000	2	PCS
R-4	Screw	PD-SBM20414-1002	8	PCS
R-5	Flat washer	PD-WN120516-1002	8	PCS
S	Pedal bracket set	AA-A-PA1714-9000	(2)	STE
S-1	Pedal bracket	MTEK3000FW067300	2	PCS
S-2	Bearing	PH-BA2-6003-1004	4	PCS
S-3	Flat washer	PD-WN221030-1041	2	PCS
S-4	Rubber washer	PL-P-PB3159-1000	4	PCS
S-5	Nut	PD-NNI21207-1041	2	PCS
S-6	Wave washer	PD-WD061725-1002	2	PCS
S-7	Flat washer	PD-WN121725-1002	4	PCS
S-8	C ring	PD-KC011700-1002	2	PCS



[REEBOKFITNESSEQUIPMENT.COM/PRODUCTSUPPORT](https://reebokfitnesssequipment.com/productsupport)

**Reebok**  
**ONE** SERIES