

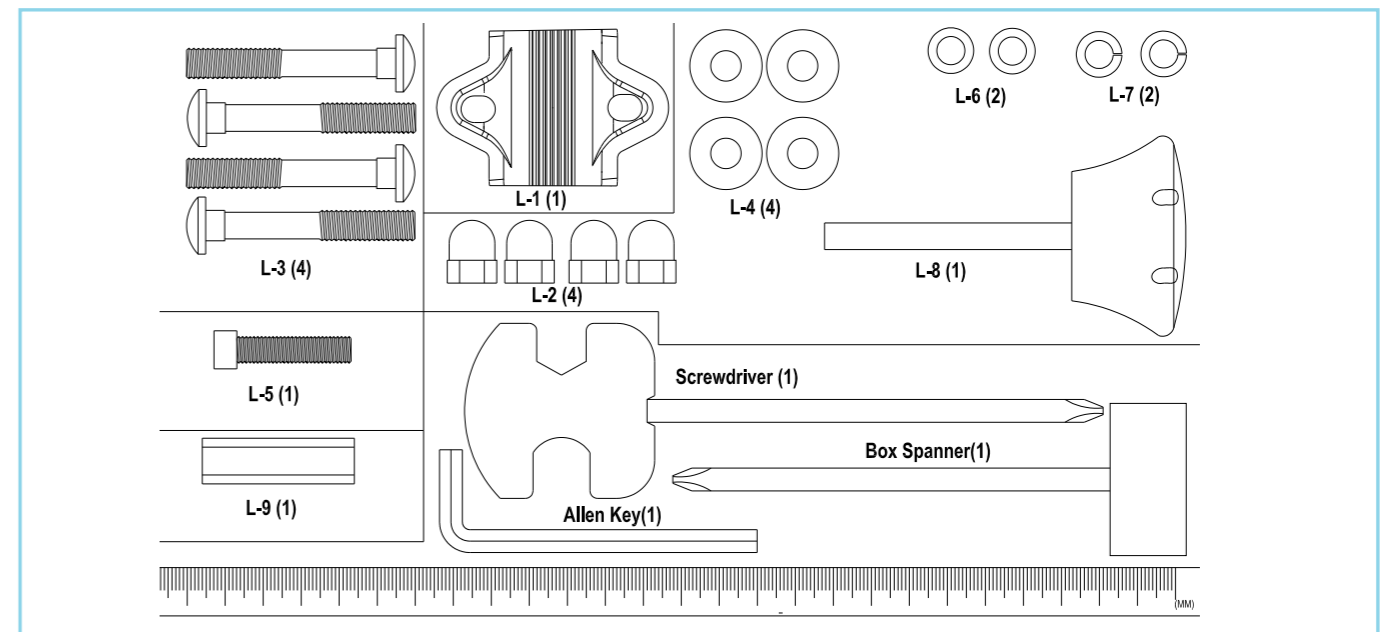
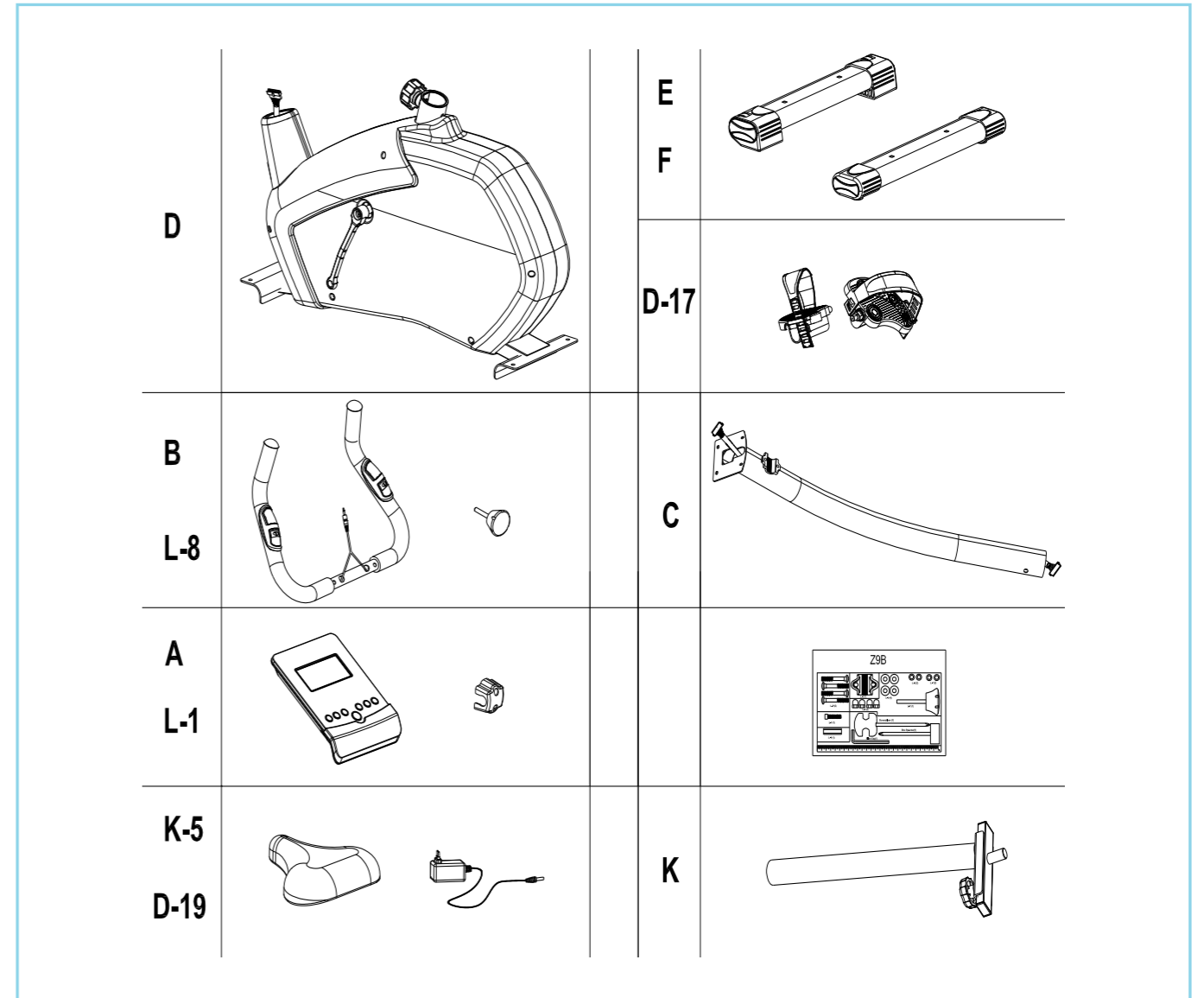
# Z9 Bike Assembly Guide

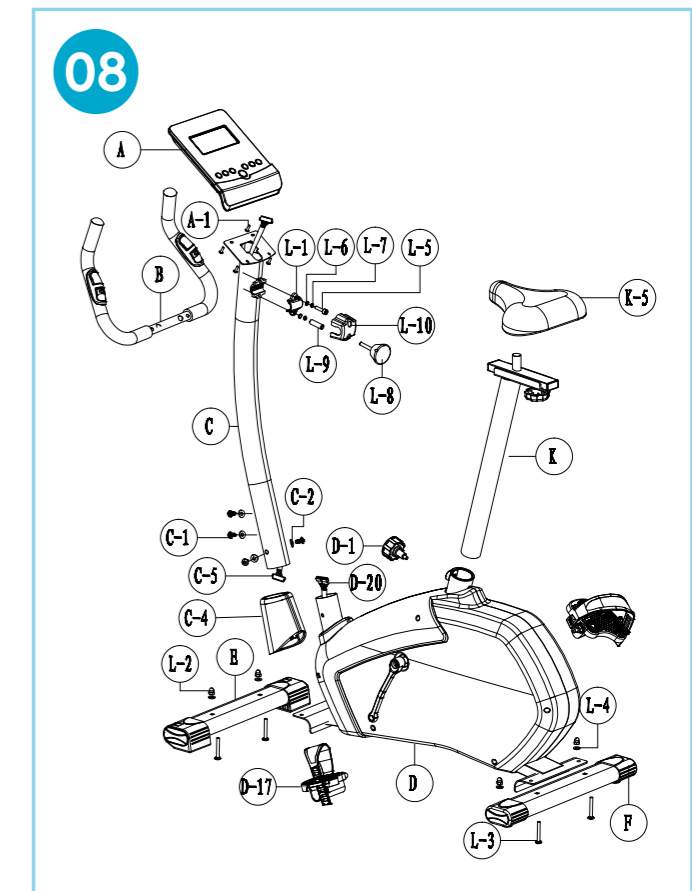
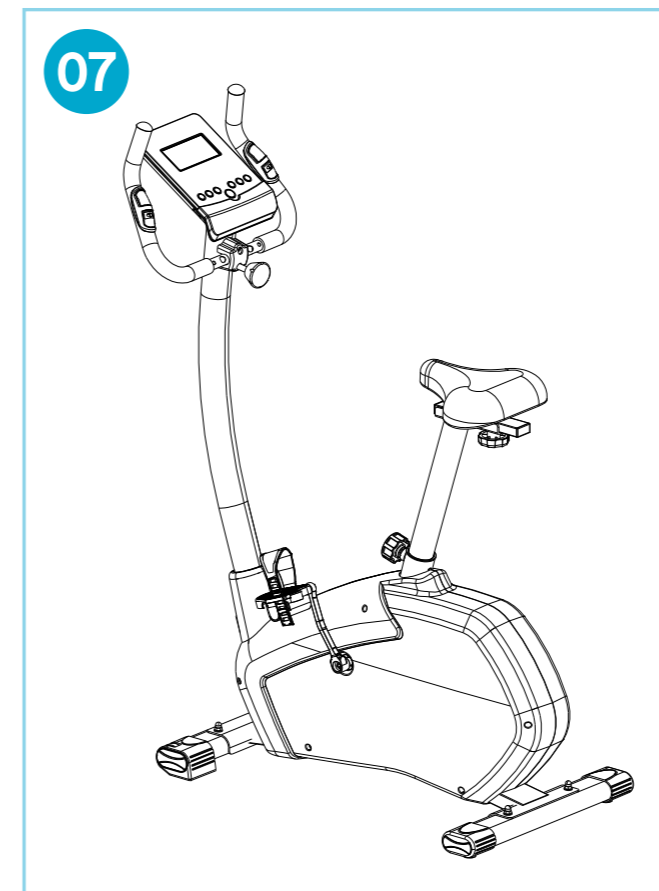
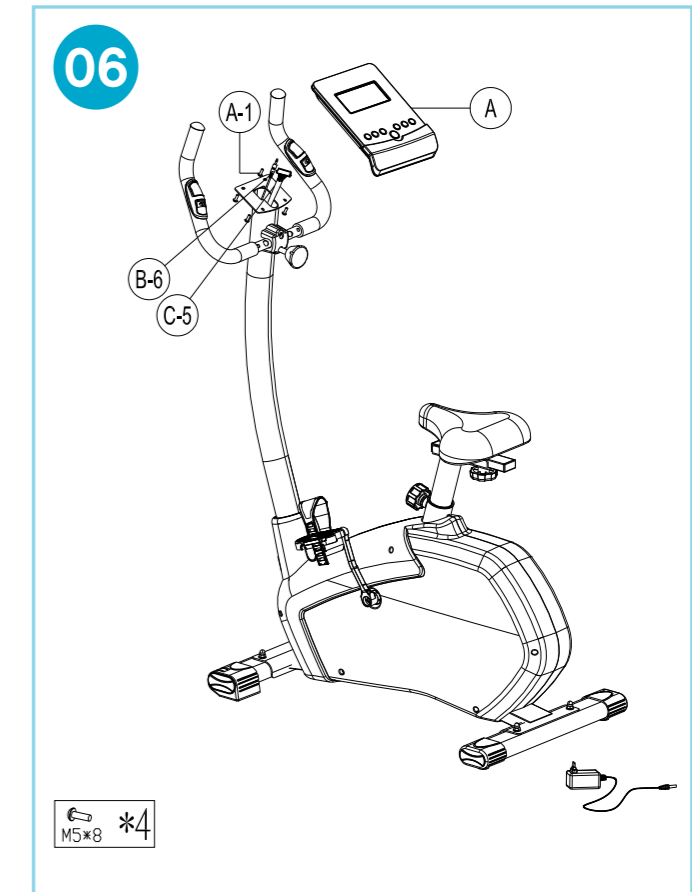
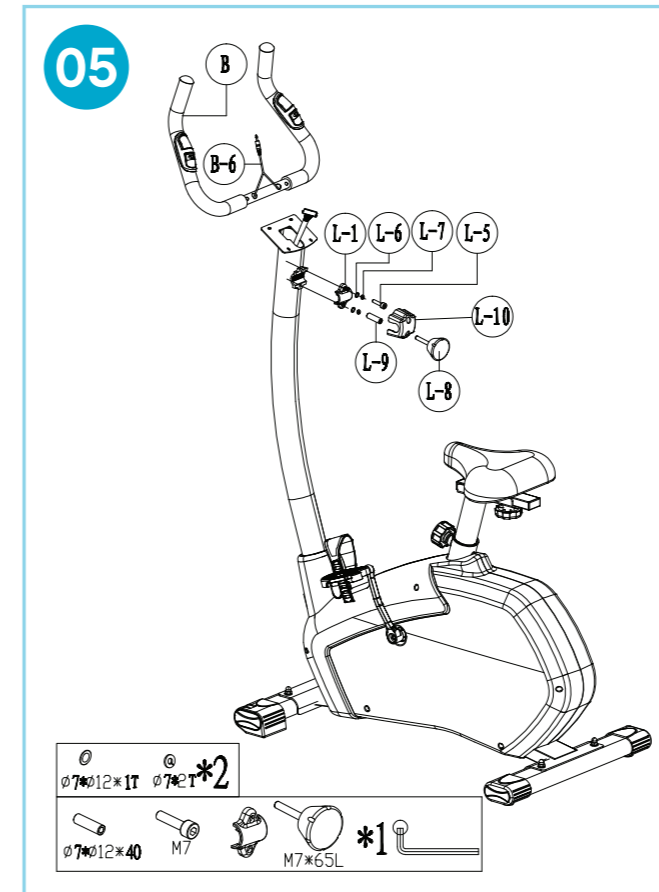
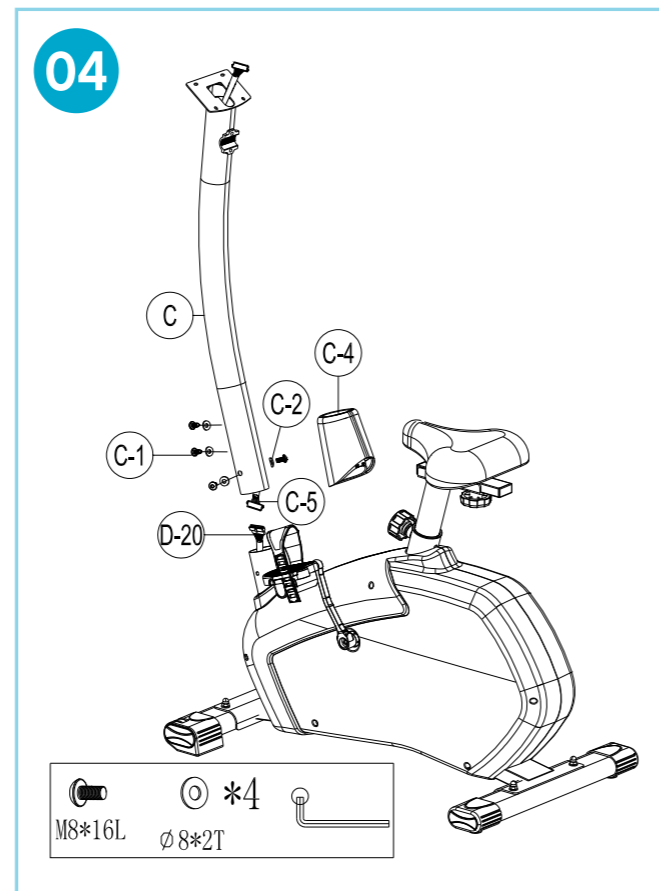
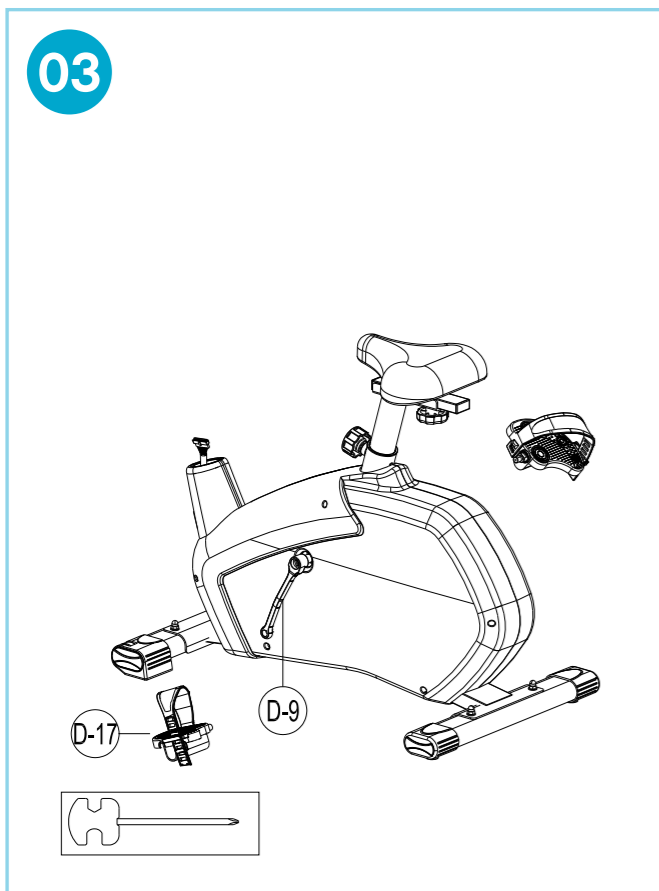
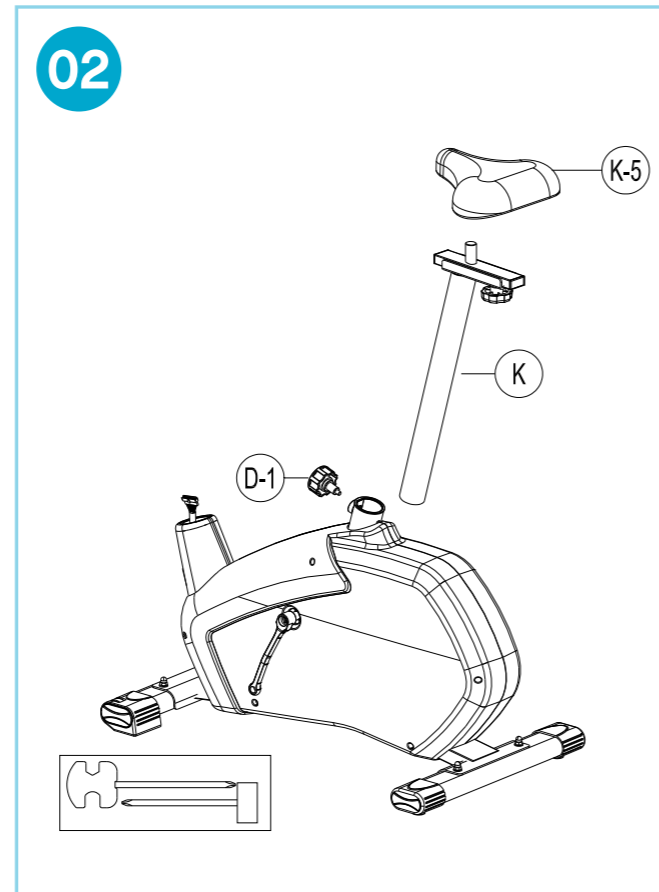
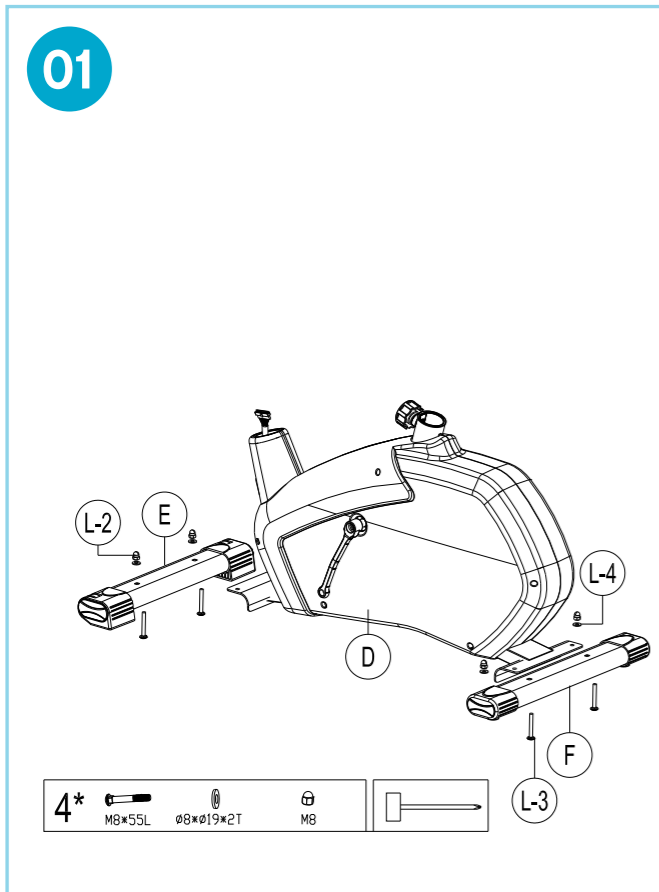


[www.reebokfitness.info/productsupport](http://www.reebokfitness.info/productsupport)

**Reebok**

**Reebok**





No.	Description	QTY	No.	Description	QTY
A	Console (incl. A-1)	1	G	Flywheel set (incl. G1~G-13)	1
A-1	Screw	4	G-1	Screw nut	3
B	Handlebar set (incl. B-1~B-6)	1	G-2	Pattern nut	2
B-1	Foam grip	2	G-3	Flywheel axle	1
B-2	Screw	2	G-4	One-way bearing set	1
B-3	Semi-circuit washer	2	G-5	Small pulley	1
B-4	Handlebar end cap	2	G-6	Bearing	1
B-5	Hand pulse sensor	2	G-7	Bearing	1
B-6	Hand pulse wire	1	G-8	Bearing	1
C	Handlebar post	1	G-9	Bearing	1
C-1	Screw	4	G-10	Flat washer	1
C-2	Semi-circuit washer	4	G-11	Washer	2
C-3	Seal	1	G-12	Sleeve	2
C-4	Handlebar post cover	1	G-13	Flat washer	1
C-5	Cable wire, upper	1	H	Magnetic bracket with servomotor set	1
D	Frame	1	I	Axle set	1
D-1	Seat post adjusting knob	1	I-1	Screw	3
D-2	Screw	3	I-2	Drive pulley	1
D-3	Screw	6	I-3	Sleeve	1
D-4	Screw	1	J	Belt tightener set (incl. J-1 - J-7)	1
D-5	Curved washer	1	J-1	Jockey wheel	1
D-6	Flat washer	4	J-2	Nylon nut	1
D-7	C-clip	1	J-3	Flat washer	1
D-8	Bearing	2	J-4	Screw	1
D-9	Crank, left	1	J-5	Curved washer	2
D-10	Crank, right	1	J-6	Screw	1
D-11	Sensor wire	1	J-7	Spring	1
D-12	Sensor fixed base (incl. D-4)	1	K	Seat post	1
D-13	Drive belt	1	K-1	Saddle locking knob	1
D-14	Side cover, left	1	K-2	Screw fixed base	1
D-15	Side cover, right	1	K-3	End cap	2
D-16	Nylok screw	2	K-4	Saddle sliding set (incl. K-2, K-3)	1
D-17	Pedals (L+R)	1	K-5	Saddle	1
D-18	DC wire	1	K-6	Flat washer	1
D-19	Adaptor	1	L-1	Handlebar clamp	1
D-20	Cable wire, middle	1	L-2	Cap nut	4
D-21	Seat post sleeve	1	L-3	Carriage bolt	4
E	Front stabilizer (incl. E-1~E-3)	1	L-4	Flat washer	4
E-1	End cap with transport wheel, left	1	L-5	Screw	1
E-2	End cap with transport wheel, right	1	L-6	Flat washer	2
E-3	Screw	2	L-7	Spring washer	2
F-1	Adjustable pad	2	L-8	Handlebar locking knob	1
F-2	End cap	2	L-9	Bushing	1
F-3	Screw	2	L-10	Handlebar cover	1

