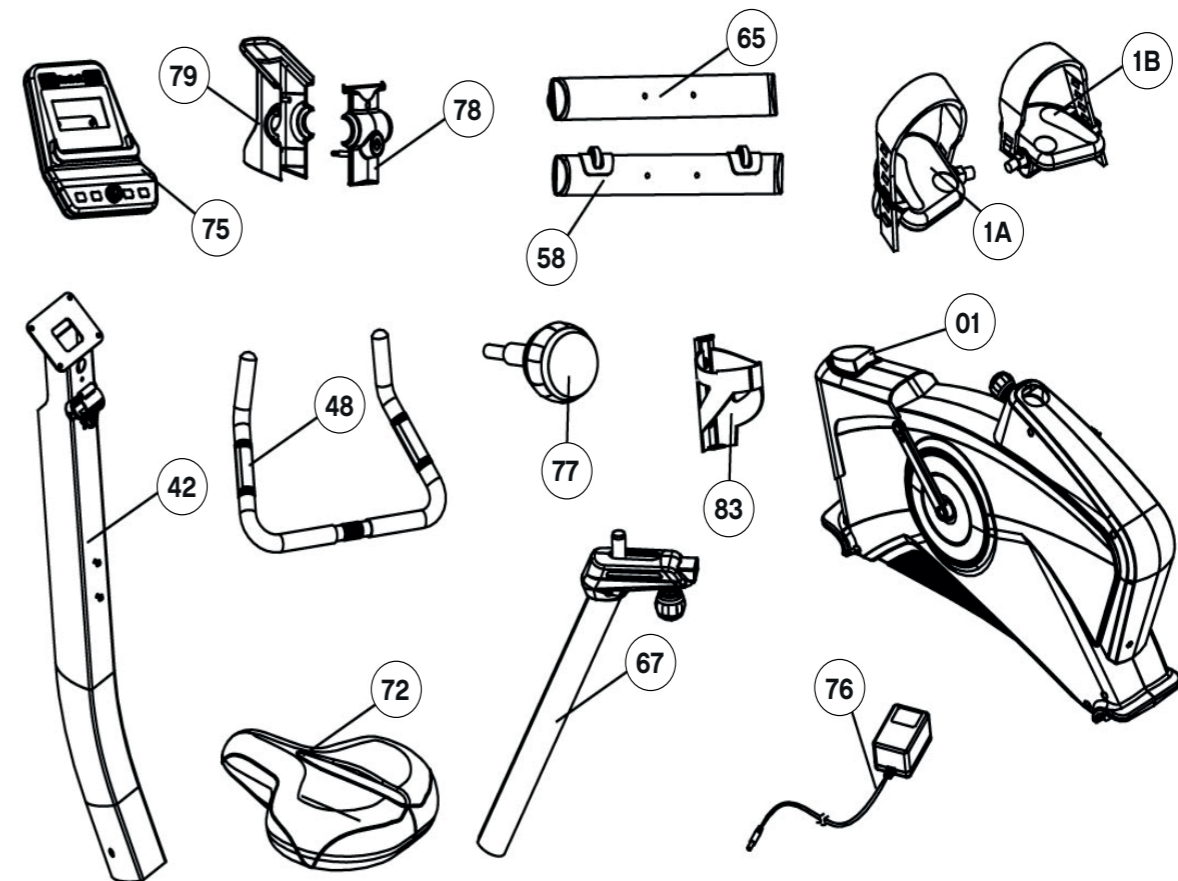
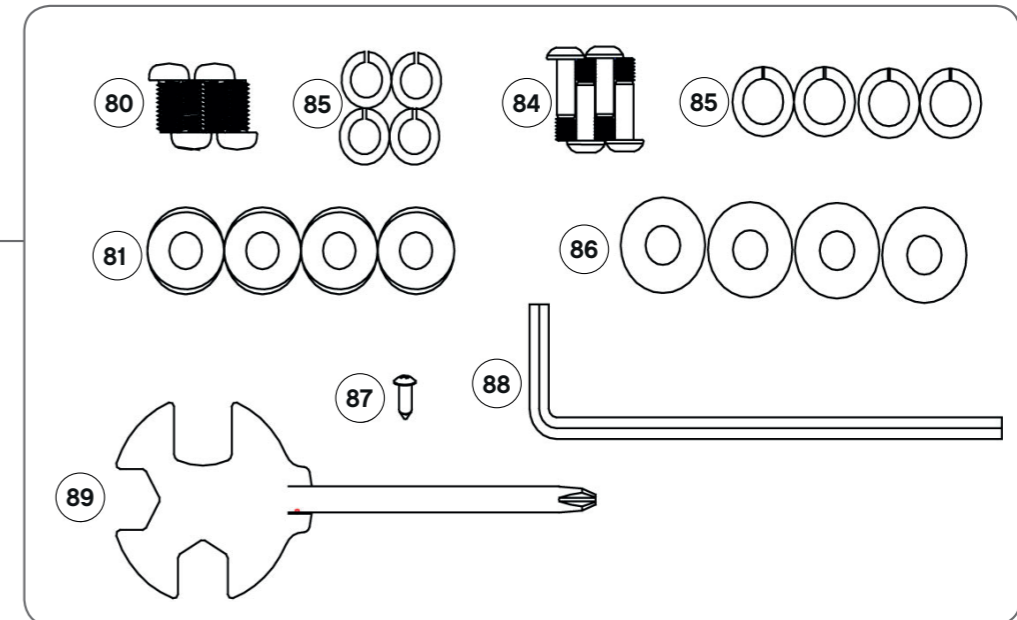
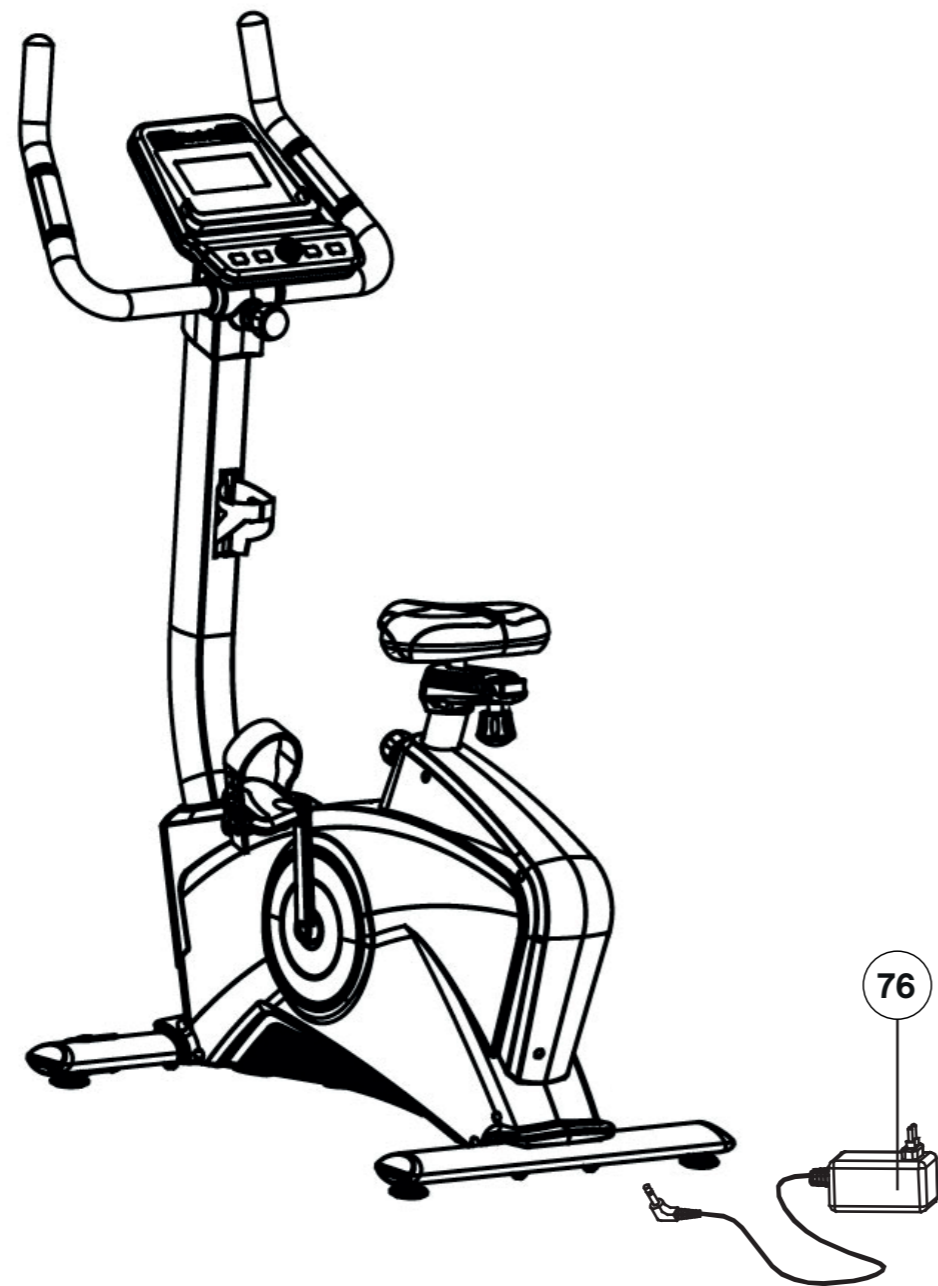

Reebok

TITANIUM

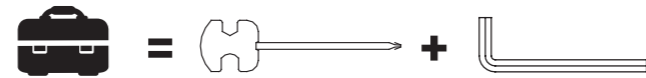


TC1.0/TC2.0/TC3.0 USER MANUAL

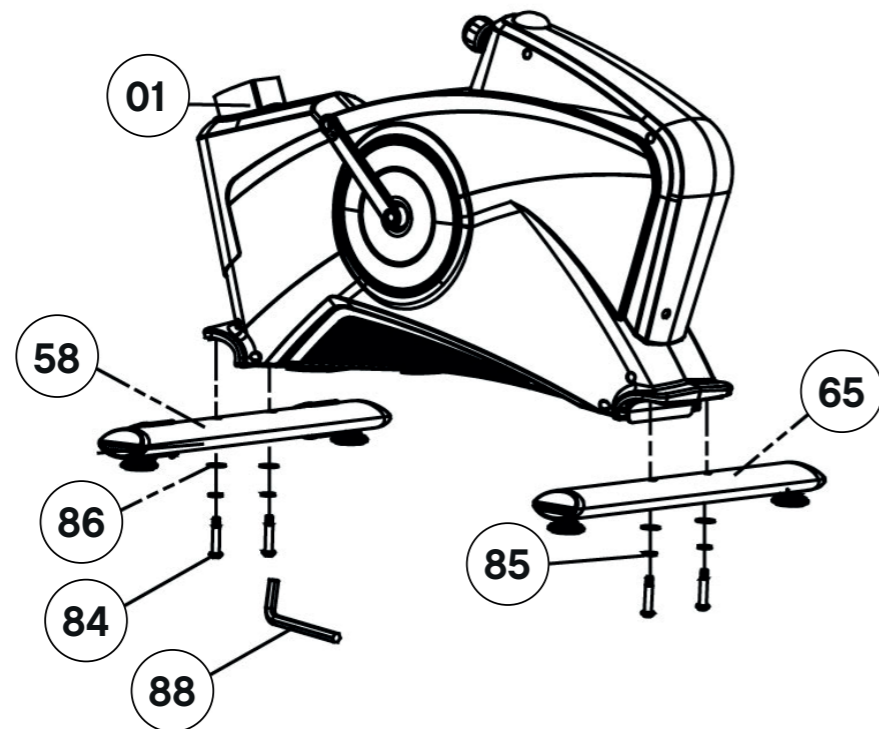
 **TC1.0/TC2.0/TC3.0**



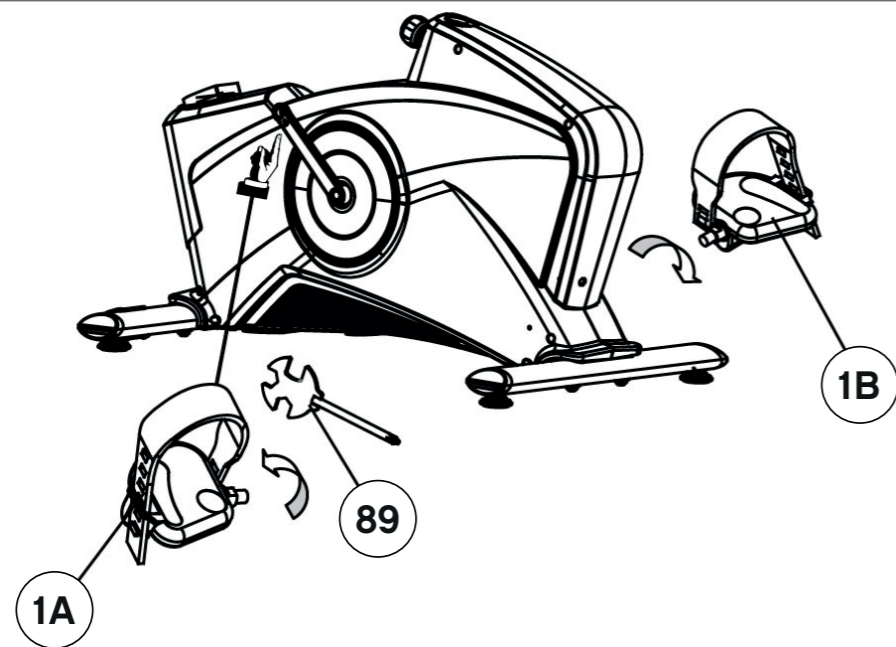
Images for illustration purposes only



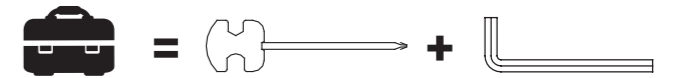
01



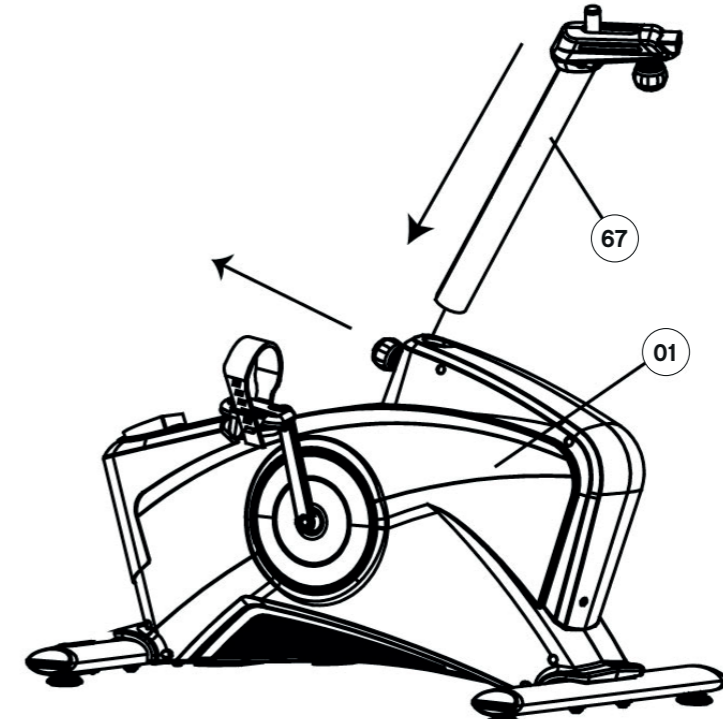
02



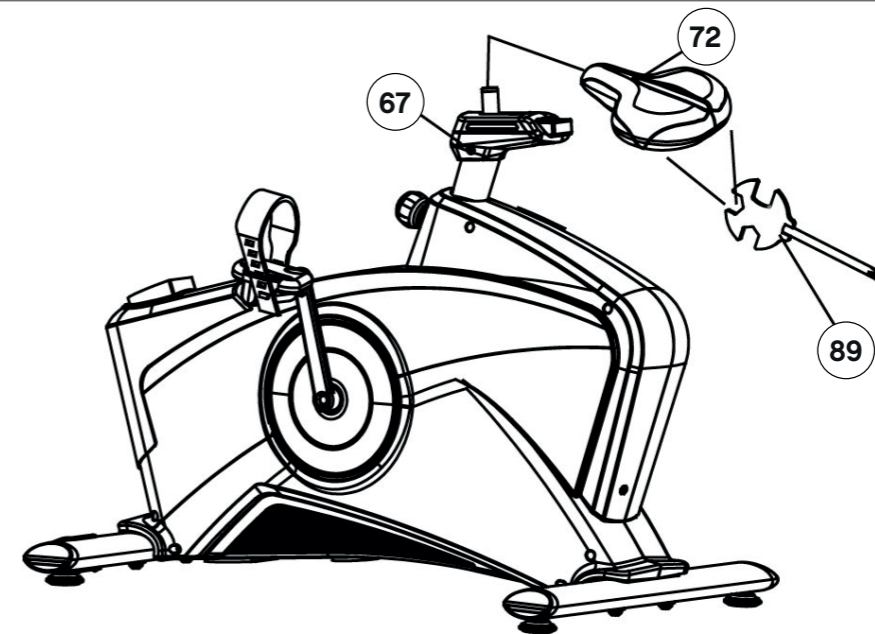
Images for illustration purposes only



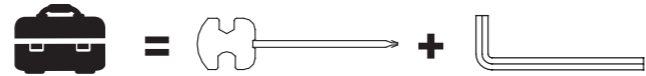
03



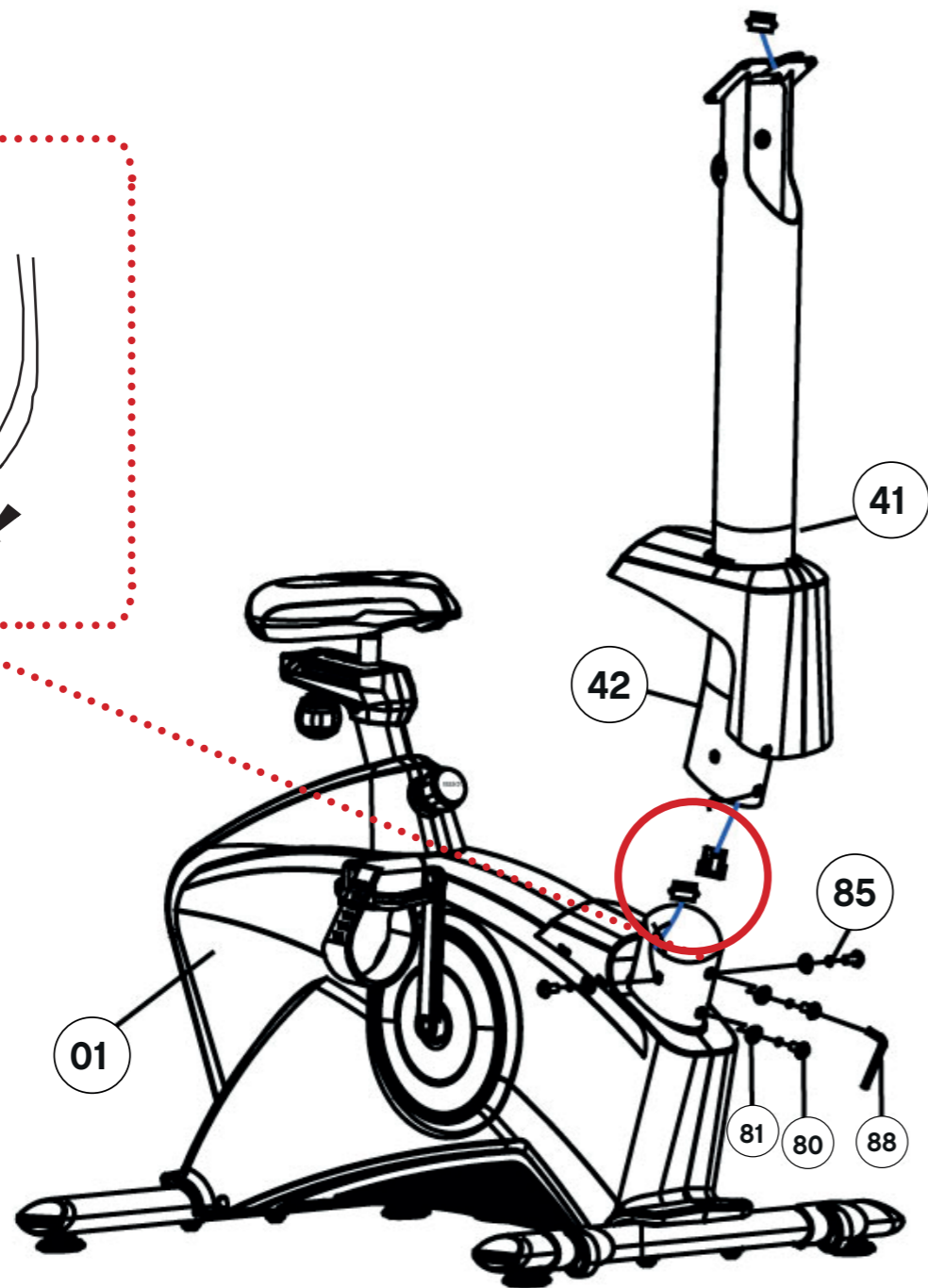
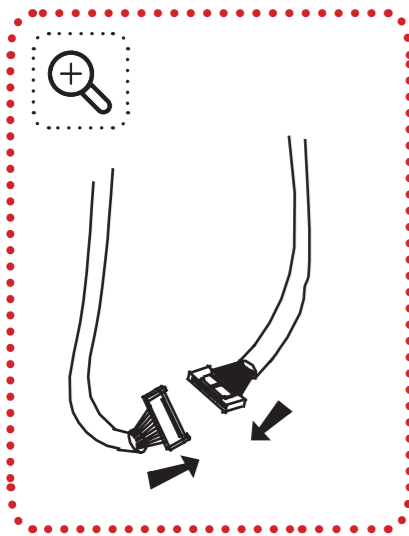
04



Images for illustration purposes only



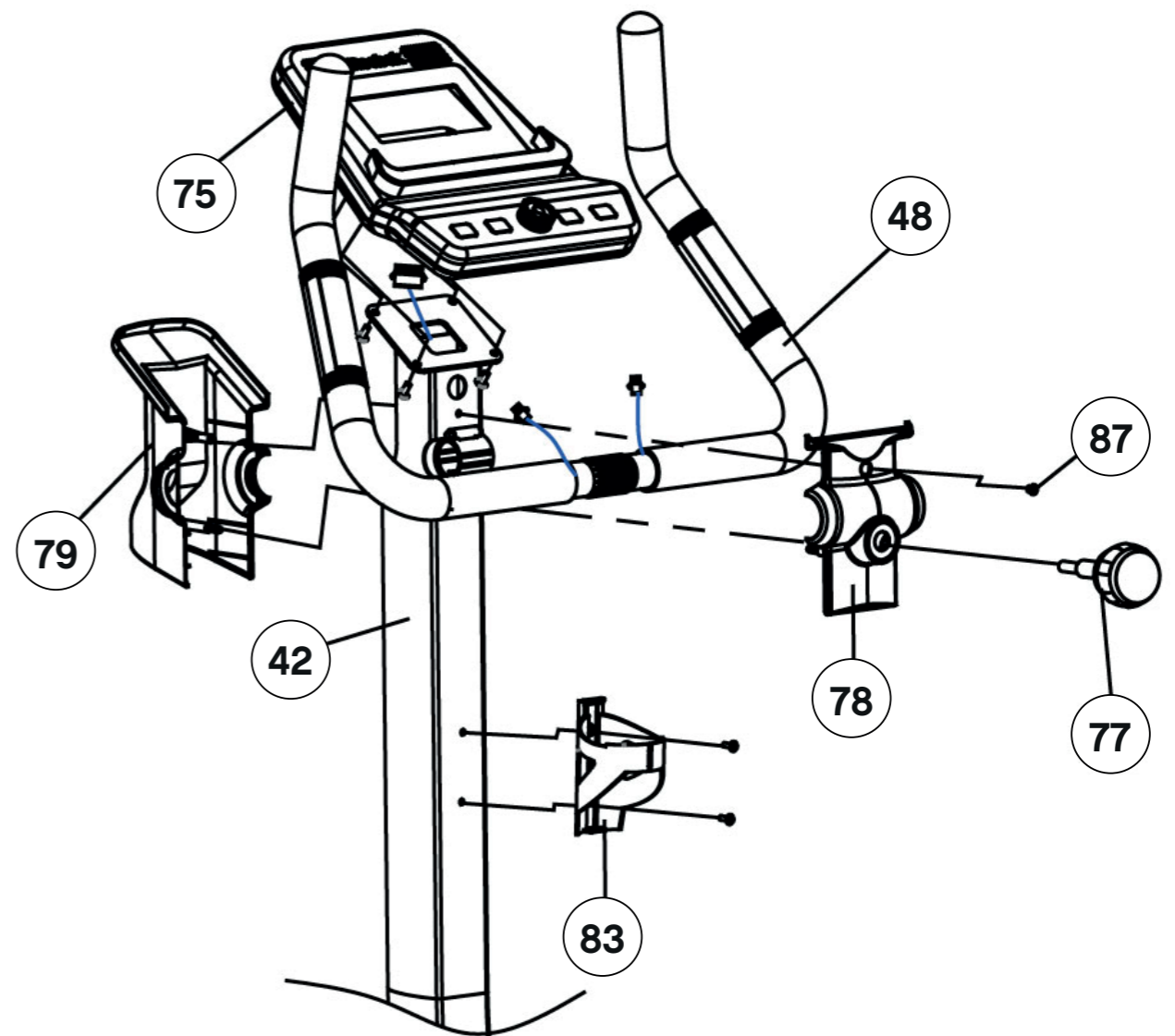
05



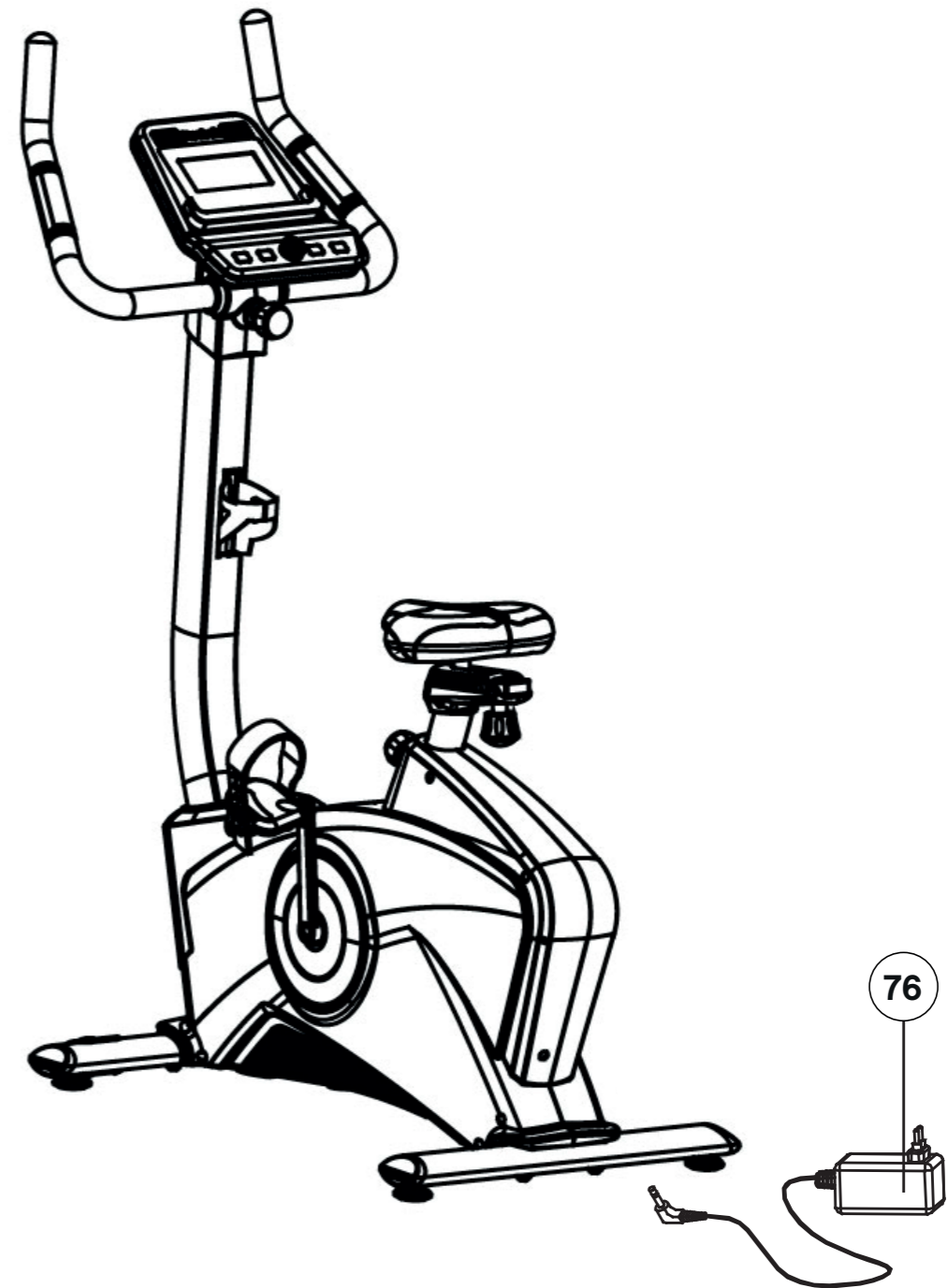
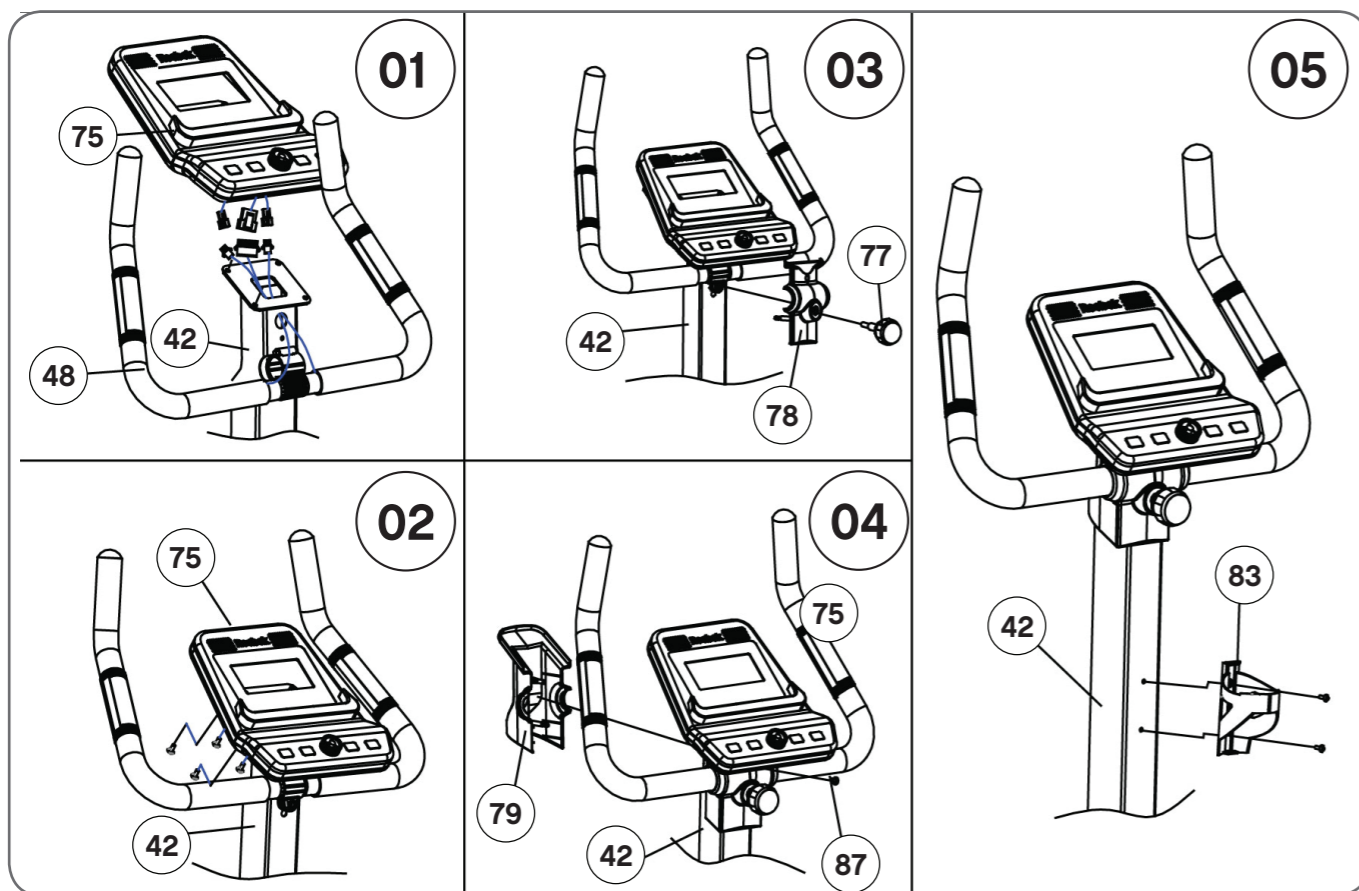
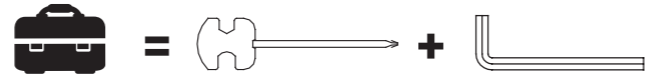
Images for illustration purposes only



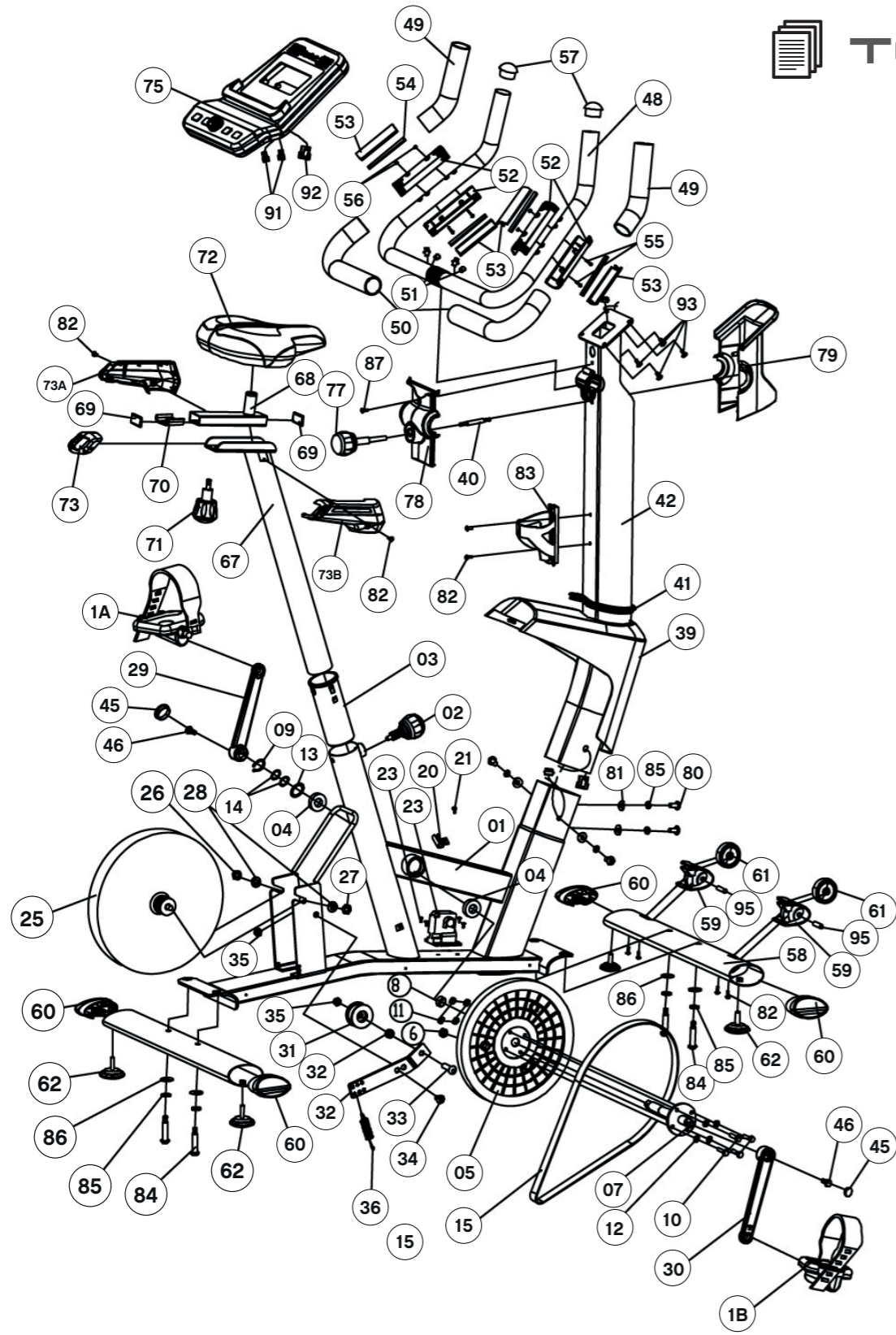
06



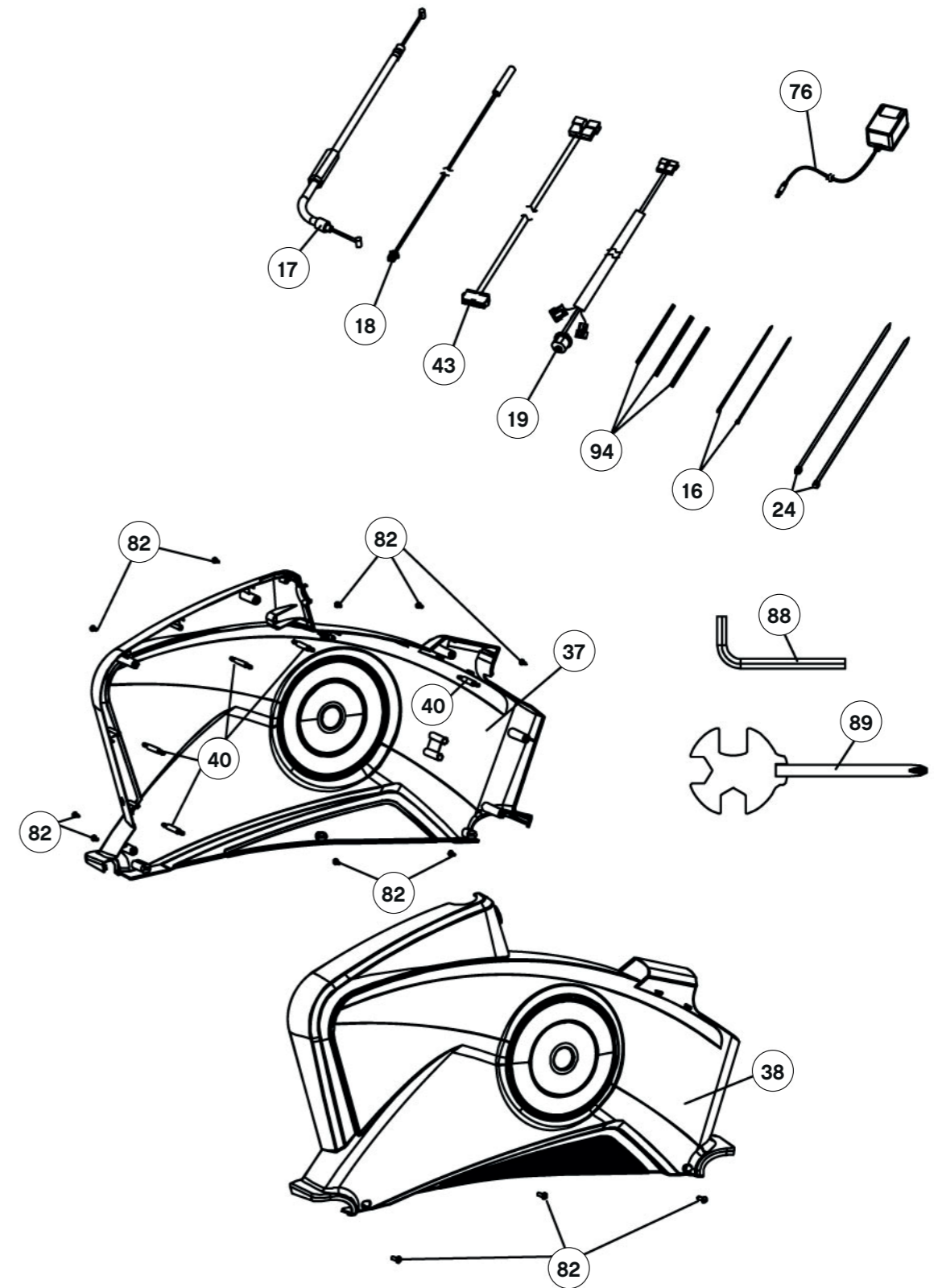
Images for illustration purposes only



TC1.0 EXPLODED DIAGRAM



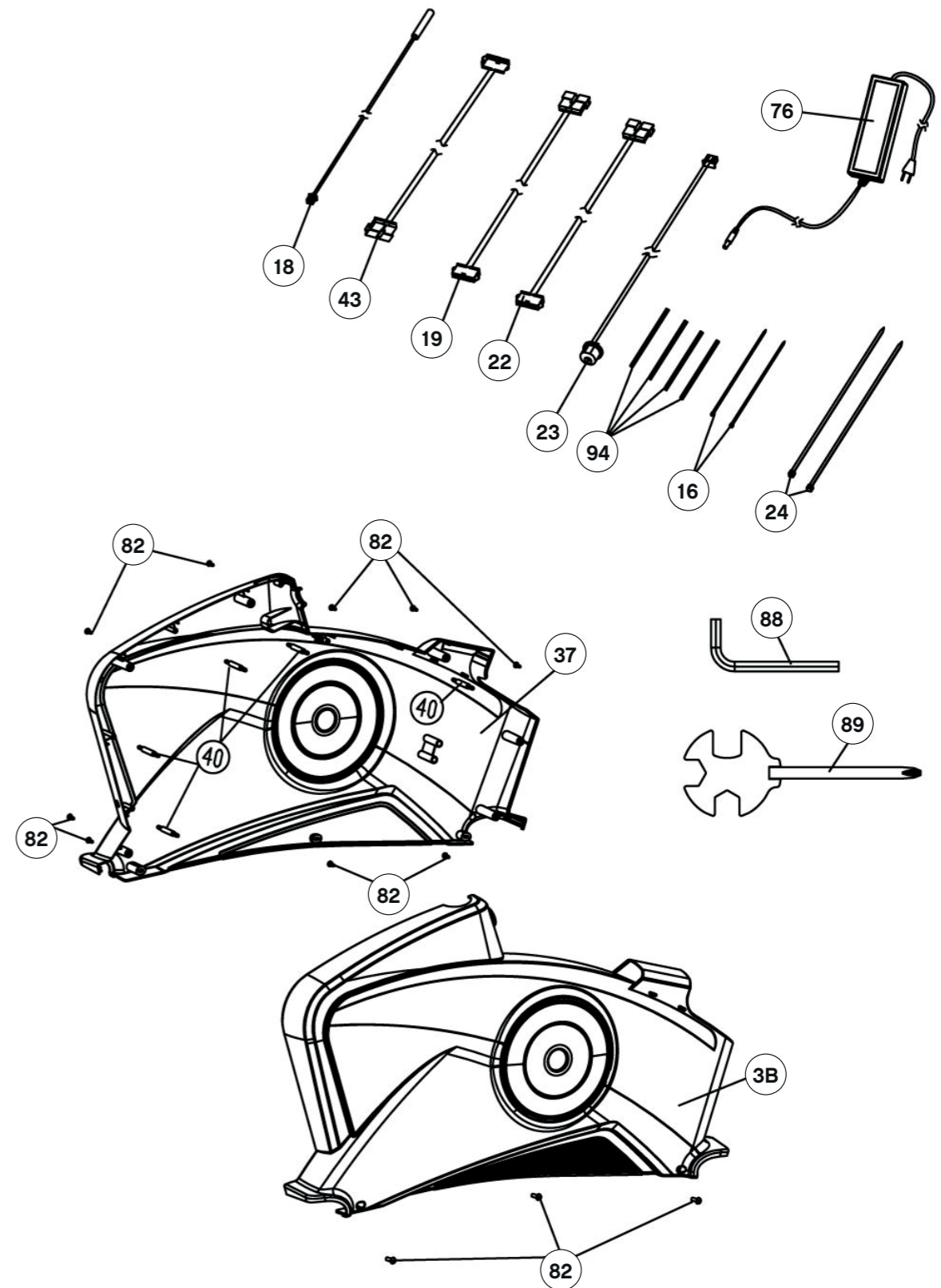
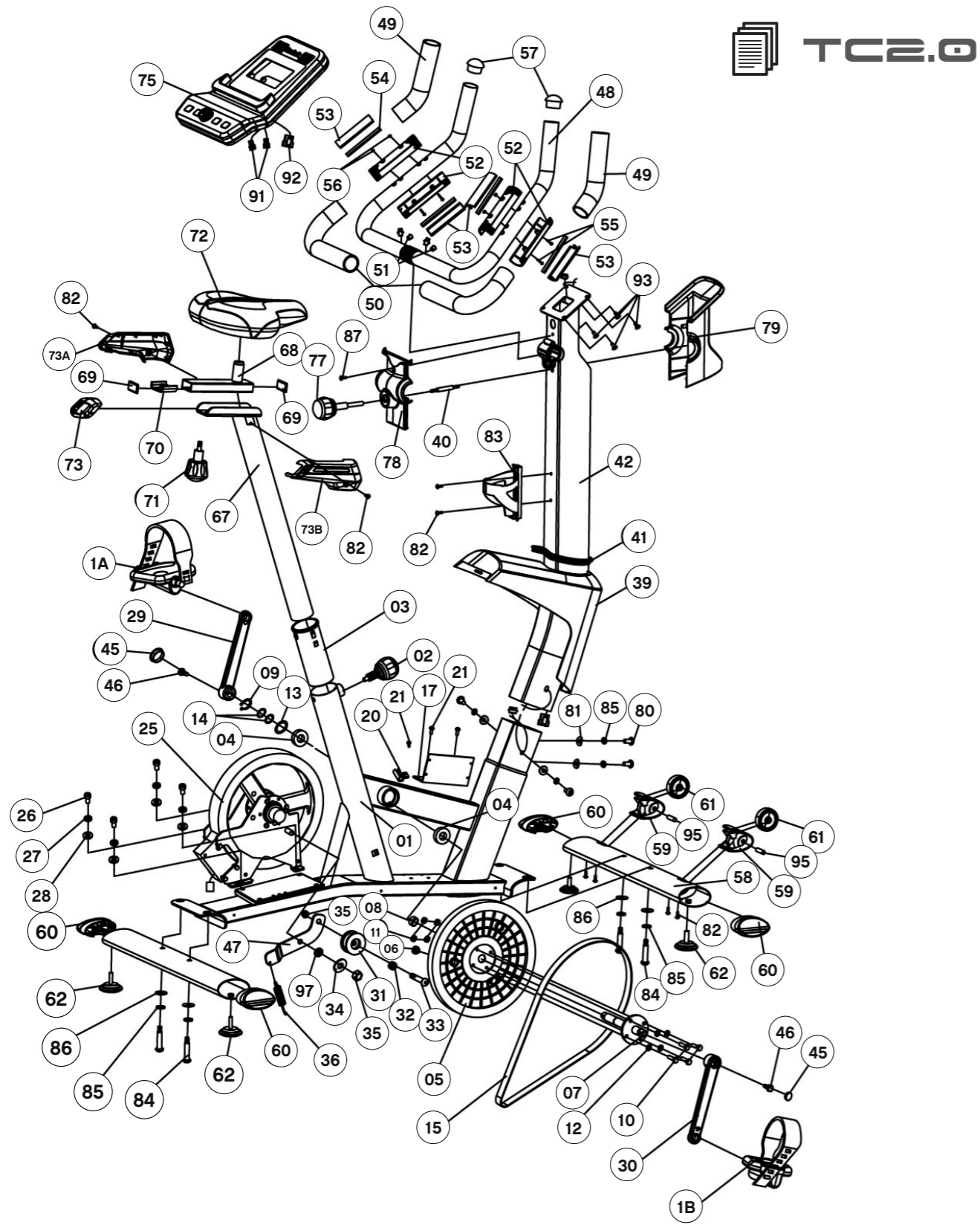
 **TC1.0**



Part	Name	QTY	Part	Name	QTY
1	Frame	1	36	Idler tension spring	1
2	Seat post lock knob	1	37	Left chain cover	1
3	Seat Post Sleeve	1	38	Right chain cover	1
4	Bearing 6003ZZ	2	39	Upright Lower Cover	1
5	Belt Wheel	1	40	Handlebar insert	6
6	Sensor Magnet	1	41	Upright lower insert	1
7	Crank Shaft	1	42	Upright	1
8	Bushing	1	43	Middle Computer Wire	1
9	C Clip	1	44	Philips Screw	2
10	Crank Shaft Screws	4	45	CRANK COVER	2
11	Nylon Nut	4	46	Crank Screw	2
12	Spring Washer	4	47	Fixing Plate	1
13	Wave washers	2	48	Handlebar	1
14	Flat washers	2	49	Foam Grip - Upper	2
15	Drive Belt 430J6	1	50	Foam Grip - Lower	2
16	Power Cord	2	51	Line plug	2
17	Adjust tight wire	1	52	Pulse sensor housing	4
18	Sensor wire	1	53	Hand Pulse Sensor	4
19	Lower control wire	1	54	Fixing tape	4
20	Sensor Fixed Base	1	55	Round head philips screw	4
21	Round head screw	1	56	Nut	4
22	Motor	1	57	Handlebar end caps	2
23	Round head cross screws	4	58	Front Stabilizer	1
24	Girding	2	59	Stabilizer wheel housing	2
25	Flywheel	1	60	Stabilizer End Cap	4
26	Flange nut	1	61	Stabilizer Wheel	2
27	Hexagon nut	1	62	Stabilizer adjustment foot	4
28	Washer	2	63	None	
29	Crank Left	1	64	None	
30	Crank Right	1	65	Rear Stabilizer	1
31	Jockey Wheel	1	66	None	
32	Casing pipe	1	67	Seat Post	1
33	Flat head screw M10x38mm	1	68	Saddle adjustment bracket	1
34	Flat head screw M10x20mm	1	69	Saddle bracket end caps	2
35	Nylon Nut	2	70	Slider Bracket	1

Part	Name	QTY
71	Seat adjustment knob	1
72	Saddle	1
73A.	Seat tube cover left	1
73B.	Seat tube cover right	1
73	Seat tube cover rear	1
75	Computer	1
76	Power adaptor	1
77	Handlebar adjustment knob	1
78	Upright upper cover - rear	1
79	Upright upper cover - front	1
80	Upright bolt M8x20	4
81	Arc Washer	4
82	Cross head screw	20
83	Water Bottle Holder	1
84	Stabilizer Bolt	4
85	SPRING WASHERS	8
86	Flat washers	4
87	Cross head screw	1
88	Allen Key	1
89	Philips open end Wrench	1
90	Hex wrench	1
91	Pulse sensor wires	2
92	Upper computer wire	1
93	Computer screws	4
94	Strap	3
95	iron core	2
1A.	Pedal and strap - left	1
1B.	Pedal and strap - right	1

TC2.0 EXPLODED DIAGRAM

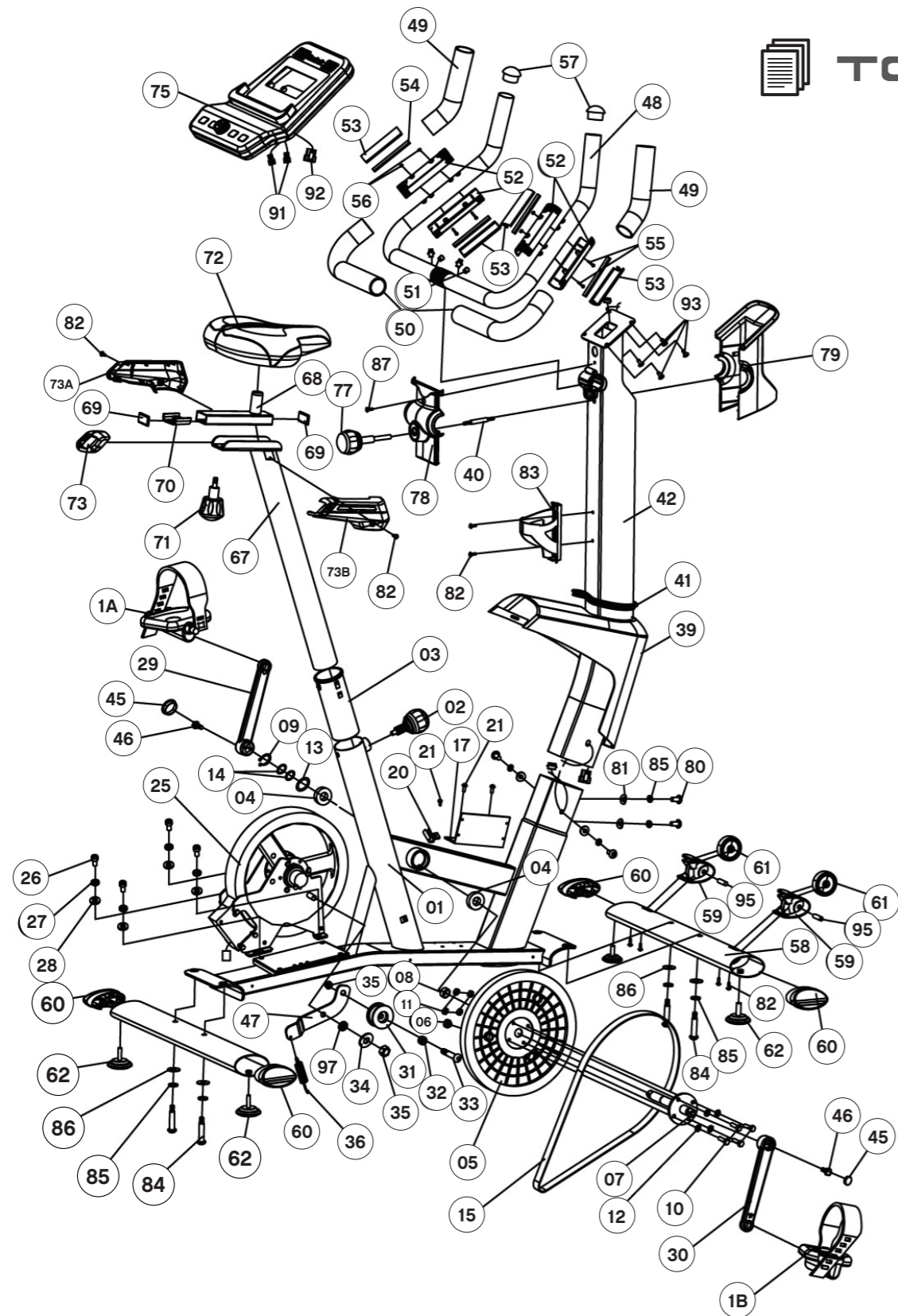


TC2.0 PARTS LIST

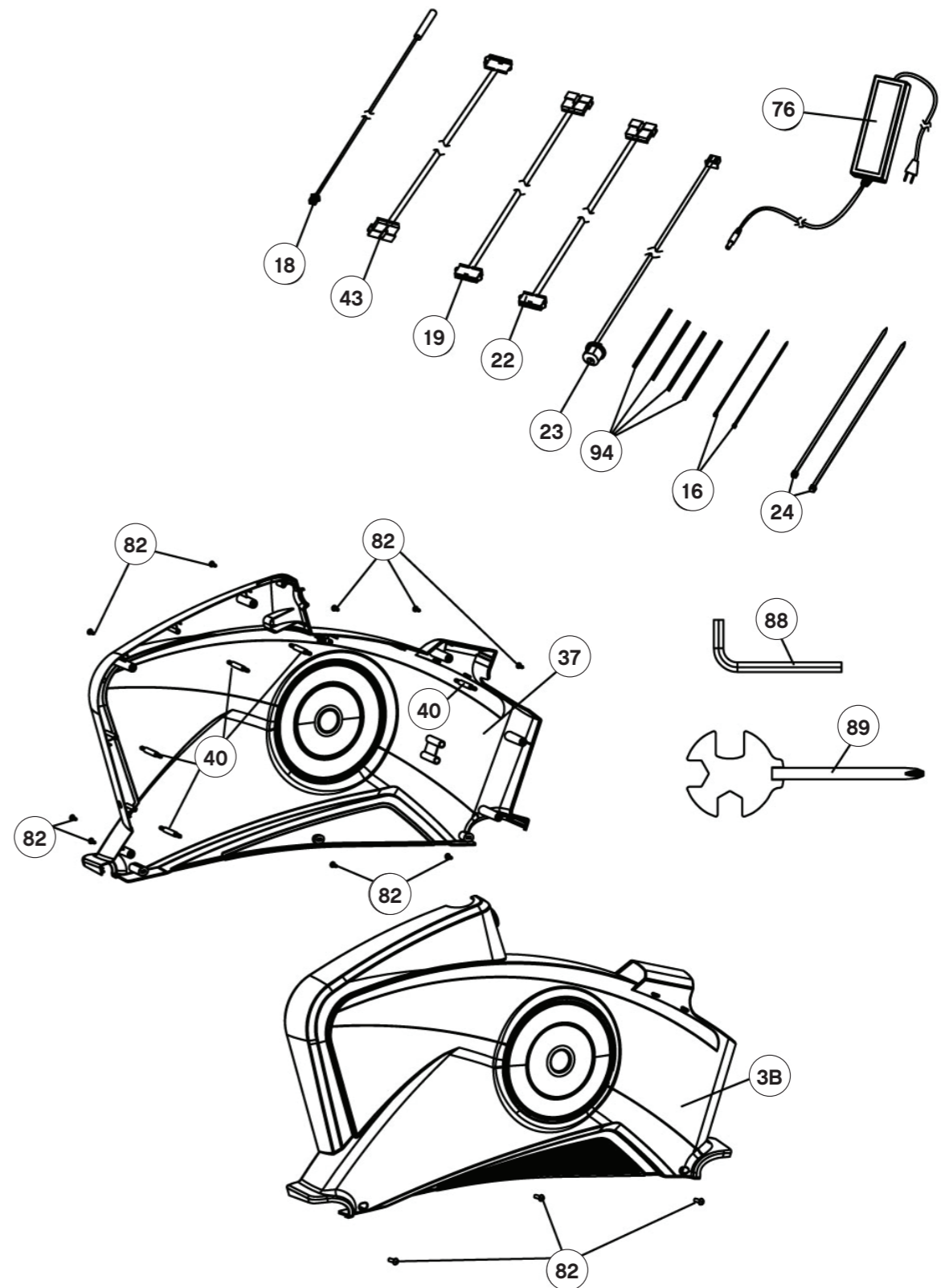
Part	Name	QTY	Part	Name	QTY
1	Frame	1	36	Idler Flexing spring	1
2	Seat Post Lock Knob	1	37	Left Chain cover	1
3	Seat Post Sleeve	1	38	Right Chain cover	1
4	Bearing 6003ZZ	2	39	Upright Lower Cover	1
5	Belt Wheel	1	40	Handlebar insert	6
6	Sensor magnet	1	41	Upright Lower insert	1
7	Crank Shaft	1	42	Upright	1
8	Bushing	1	43	Middle computer wire	1
9	C-Clip	1	44	Philips Screw M5x15	2
10	Crank Shaft Screws	4	45	Crank cover	2
11	Nylon Nut	4	46	Crank Screw	2
12	Spring washer	4	47	Fixing Plate	1
13	Wave washer	2	48	Handlebar	1
14	Flat washer	2	49	Foam Grip Upper	2
15	Drive Belt	1	50	Foam grip - lower	2
16	Belt	2	51	Line Plug	2
17	Control Board	1	52	Pulse sensor housing	4
18	Sensor Wire	1	53	Hand Pulse sensor	4
19	Lower Control Wire	1	54	Fixing tape	4
20	Sensor fixed base	1	55	Round head Philips screw	4
21	Round head screw	3	56	Nut	4
22	Lower control connecting wire	1	57	Handlebar end caps	2
23	Power Wire	1	58	Front stabilizer	1
24	Belt	2	59	Stabilizer wheel housing	2
25	Flywheel	1	60	Stabilizer End cap	4
26	Column head hex screw	4	61	Stabilizer wheel	2
27	Washer	4	62	Stabilizer adjustment foot	4
28	Spring washer	4	63	None	
29	Crank arm Left	1	64	None	
30	Crank arm Right	1	65	Rear stabilizer	1
31	Jockey Wheel	1	66	None	
32	Bushing	1	67	Seat Post	1
33	Flat hex screw M10x32mm	1	68	Saddle adjustment bracket	1
34	Washer Ø25xØ10.2x3.0t	1	69	Saddle bracket end caps	2
35	Nylon nut	2	70	Slider Bracket	1

Part	Name	QTY
71	Seat adjustment knob	1
72	Saddle	1
73A.	Seat tube cover left	1
73B.	Seat tube cover right	1
73	Seat tube cover rear	1
75	Computer	1
76	Power adaptor	1
77	Handlebar adjustment knob	1
78	Upright upper cover - rear	1
79	Upright upper cover - front	1
80	Upright bolt M8x20	4
81	Arc washer	4
82	Cross Head screw	20
83	Water Bottle holder	1
84	Stabilizer Bolt	4
85	Spring washer	8
86	Flat washer	4
87	Cross Head screw	1
88	Allen Key	1
89	Philips open end wrench	1
91	Pulse sensor wire	2
92	Upper computer wire	1
93	Computer Screws	4
94	Strap	4
95	Iron core	2
97	Idler plate sleeve	1
1A.	Pedal and strap left	1
1B.	Pedal and strap right	1

TC3.0 EXPLODED DIAGRAM



 **TC3.0**



Part	Name	QTY	Part	Name	QTY
1	Frame	1	36	Idler Flexing spring	1
2	Seat Post Lock Knob	1	37	Left Chain cover	1
3	Seat Post Sleeve	1	38	Right Chain cover	1
4	Bearing 6003ZZ	2	39	Upright lower cover	1
5	Belt wheel	1	40	Plastic insert	6
6	Sensor magnet	1	41	Upright lower insert	1
7	Crank Shaft	1	42	Upright	1
8	Bushing	1	43	Middle Computer wire	1
9	C-Clip	1	44	Philips Screw M5x15	2
10	Crank Shaft Screws	4	45	Crank cover	2
11	Nylon Nut	4	46	Crank arm screw	2
12	Spring washer	4	47	Idler wheel fixing iron plate assembly	1
13	Wave washer	2	48	Handlebar	1
14	Flat washer	2	49	Foam Grip Upper	2
15	Drive Belt	1	50	Foam grip lower	2
16	Belt	2	51	Line Plug	2
17	Control Board	1	52	Pulse sensor housing	4
18	Sensor Wire	1	53	Hand pulse sensor	4
19	Lower Control Wire	1	54	Fixing Tape	4
20	Sensor Fixed Base	1	55	Round head Philips screw	4
21	Round head screw	3	56	Nut	4
22	Lower control connecting wire	1	57	Handlebar end caps	2
23	Power Wire	1	58	Front stabilizer	1
24	Belt	2	59	Stabilizer wheel housing	2
25	Fly wheel	1	60	Stabilizer end cap	4
26	Column head hex screw	4	61	Stabilizer wheel	2
27	Washer	4	62	Stabilizer adjustment foot	4
28	Spring washer	4	63	None	
29	Crank arm left	1	64	None	
30	Crank arm right	1	65	Rear stabilizer	1
31	Jockey Wheel	1	66	None	
32	Bushing	1	67	Seat Post	1
33	Flat hex screwM10x32mm	1	68	Saddle adjustment bracket	1
34	WasherØ25xØ10.2x30t	1	69	Saddle bracket end cap	2
35	Nylon nut	2	70	Slider bracket	1

Part	Name	QTY
71	Seat adjustment knob	1
72	Saddle	1
73A.	Seat tube cover left	1
73B.	Seat tube cover right	1
73	Seat tube cover rear	1
75	Computer	1
76	Power adaptor	1
77	Handlebar adjustment knob	1
78	Upright upper cover rear	1
79	Upright upper cover front	1
80	Upright bolt M8x20	4
81	Arc washer	4
82	Cross head screw	20
83	Water bottle holder	1
84	Stabilizer bolt	4
85	Spring washer	8
86	Flat washer	4
87	Cross head screw	1
88	Allen Key	1
89	Philips open end wrench	1
91	Pulse sensor wire	2
92	Upper computer wire	1
93	Computer screws	4
94	Strap	4
95	Iron core	2
97	Idler plate sleeve	1
1A.	Pedal and strap left	1
1B.	Pedal and strap right	1

Images for illustration purposes only

Images for illustration purposes only



TC1.0/TC2.0/TC3.0

