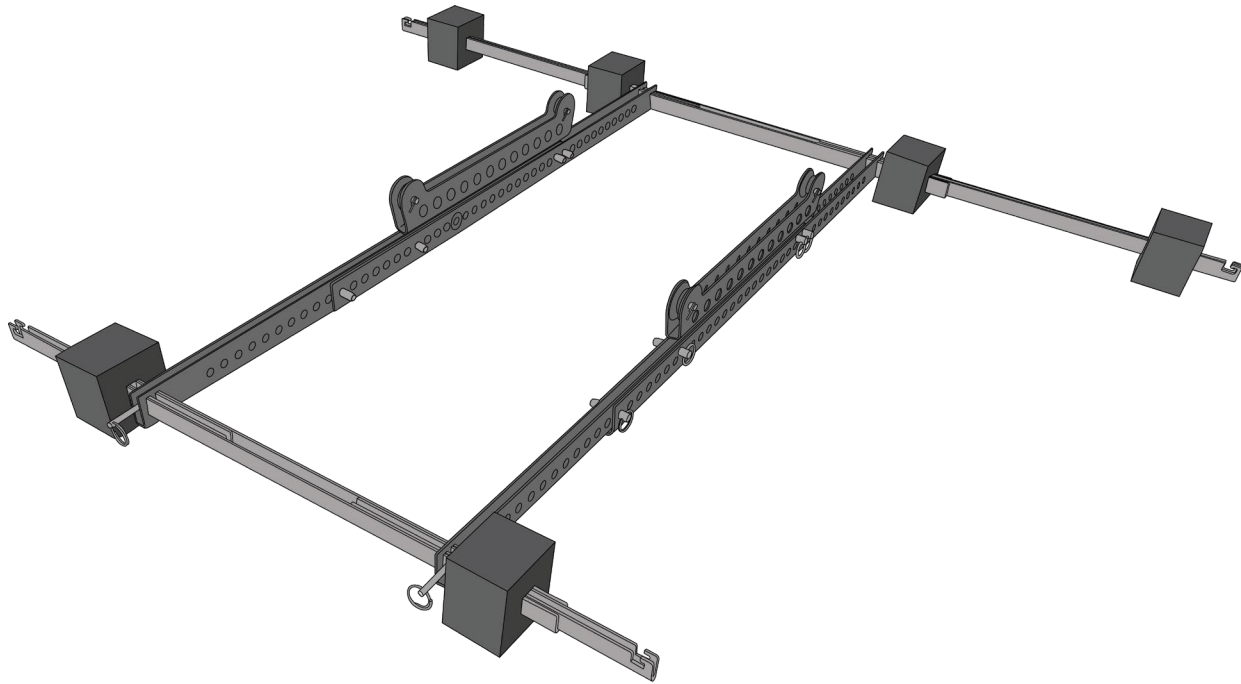


Hardtop Lifter

Ford Bronco



Safety Information / About Hardtop Lifter	2
Product Identifier	3
What's in the Box	4
Hardtop Lifter Installation – Overview & Required Tools	5
Step 1: Install Smart Track, MyLifters and Power Adapters.....	6
Step 2: Assemble Length Adjusters.....	8
Step 3: Assemble Width Adjusters	8
Step 4: Add Foam Blocks.....	9
Step 5: Add Pulley Frames and Attach Hardtop Frame to MyLifters.....	10
Step 6: Lower Hardtop Frame onto Vehicle Hardtop.....	11
Step 7: Attach Frame to Hardtop with Cargo Net	12
Step 8: Remove Hardtop.....	14
FAQs.....	16

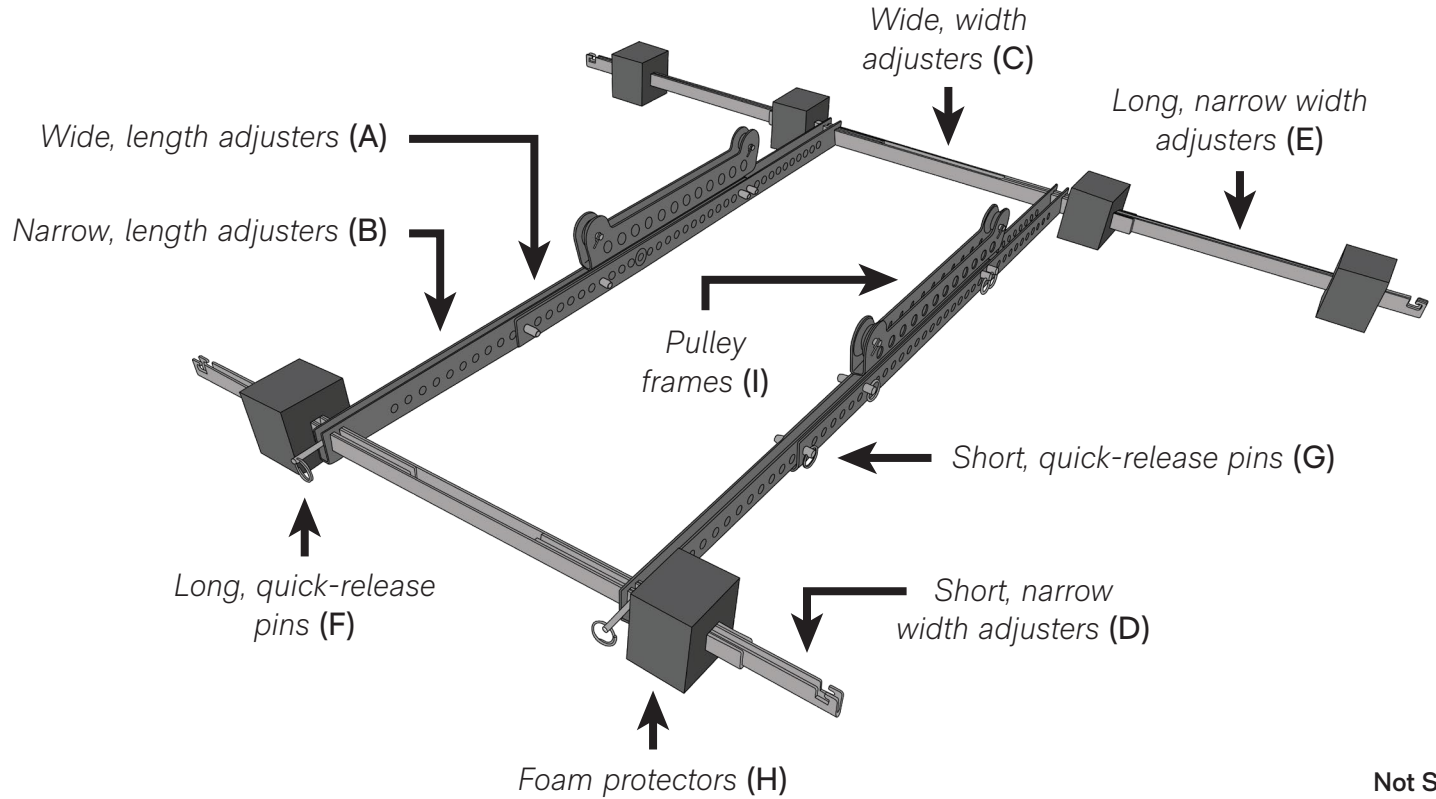
**WARNING**

Failure to follow these safety and installation instructions may result in property damage, serious personal injury, or death.

- 1 Read and follow all safety, installation, and operation instructions.
- 2 Do not lift with Hardtop Lifter while hands or other body parts are near the system.
- 3 Do not stand under the Hardtop Lifter.
- 4 Do not use Hardtop Lifter to lift people or animals.
- 5 Do not use Hardtop Lifter to lift or lower items over people or animals.
- 6 Total lifting capacity for Hardtop Lifter is 175 lbs.
- 7 Always balance load before lifting.

About Hardtop Lifter

The Hardtop Lifter is intended for home and garage use only. It is designed to lift vehicle hardtops off the vehicle to the ceiling for easy storage. The Hardtop Lifter is not intended for use in commercial or industrial applications.



Not Shown:
Track Cover, Half Size (J)
Cargo net (K)



Wide length adjusters (A) x2



Narrow length adjusters (B) x2



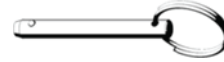
Wide width adjusters (C) x2



Short, narrow width adjusters (D) x2



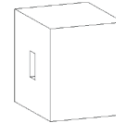
Long, narrow width adjusters (E) x2



Long quick-release pins (F) x4



Short quick-release pins (G) x8



Foam protectors (H) x6



Pulley frame (I) x2



Track Cover, half-size (J) x1

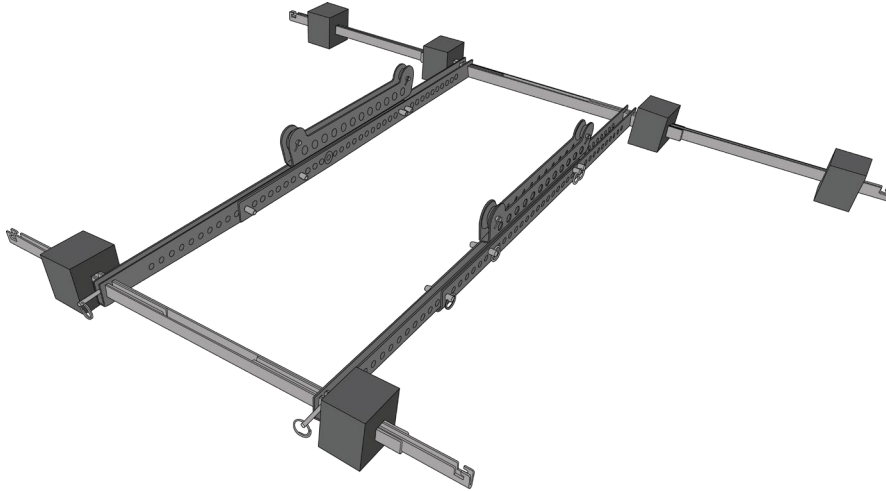


Cargo net (K) x1



NOTE

The frame should be assembled on the floor, raised to the ceiling, and then lowered onto the roof of the vehicle.

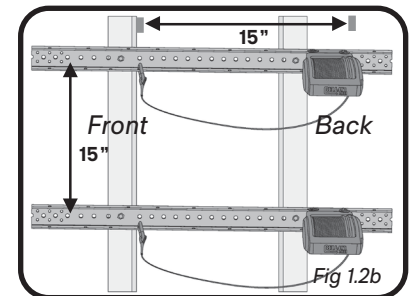
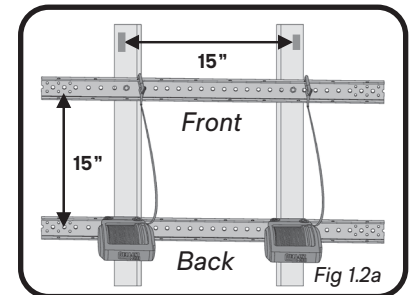
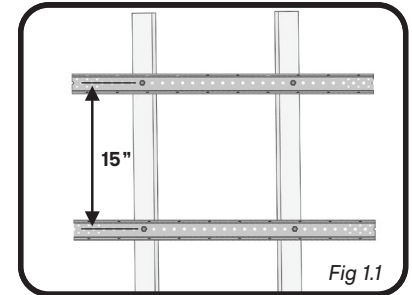


Required Tools (not included)

- Drill
- Stud Finder
- Safety Glasses
- Tape Measure
- Ratchet with 1/2" Socket
- Ladder
- Pencil

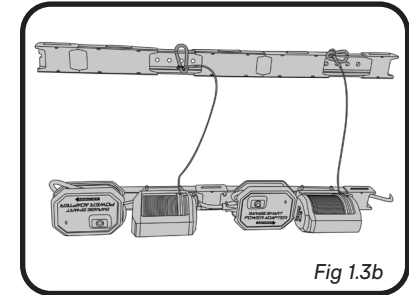
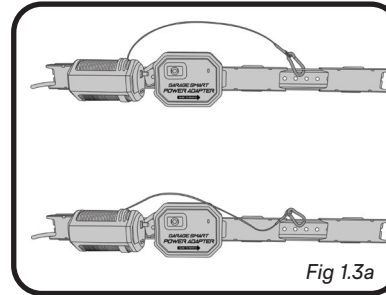
Step 1: Install Smart Track, MyLifters and Power Adapters

1. Decide where to place your Hardtop Lifter by parking your vehicle in the desired location and assuring there is enough space around the vehicle to open the doors, including the rear window.
2. Install Smart Track so each one is across two ceiling joists. Place them 15" apart on center above the vehicle's intended location where you plan to store hardtop. (Fig 1.1)
3. Mount lifters on Smart Tracks 15" apart. They can be mounted on the same Smart Track (Fig 1.2a), or on opposite Smart Tracks (Fig 1.2b), depending on the direction of the ceiling joists relative to the vehicle.
4. Hook the carabiner to the Smart Track 15" from the lifters forming a 15" square on the ceiling. Failure to install myLifters 15" apart will result in damage to the myLifter, which is not covered by the warranty.
5. Pair the Lifters to the App and create a "locked group." Refer to the MyLifter Manual for App instructions.



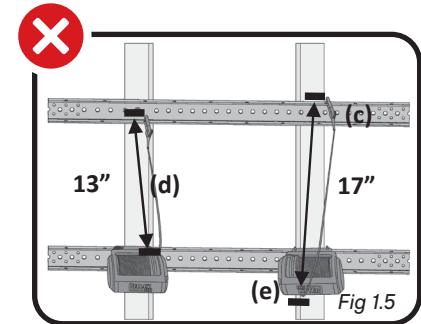
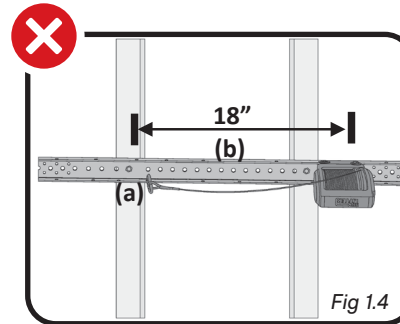
Power Adapter Layout

1. Depending on the orientation of the Smart Track and myLifters, the Power Adapters can be positioned as shown. (Fig 1.3a, Fig 1.3b) If there aren't any power outlets near the myLifters, the Power Adapters can be placed on a separate track or installed by attaching them directly on a ceiling joist or wall stud.



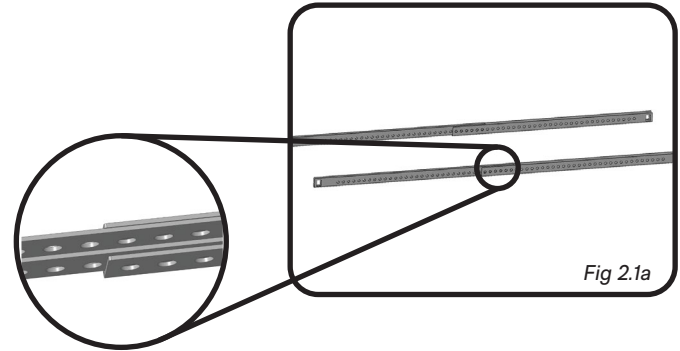
Here are some common lifter and smart track installation errors.

1. Placing carabiner on the wrong side of the track. (Fig 1.4, Fig 1.5)
2. Incorrect placement of lifter resulting in too much space between lifter and carabiner. (Fig 1.4)
3. Placing the MyLifter outside of the lag bolts. Lifters should be placed between lag bolts. (Fig 1.4)



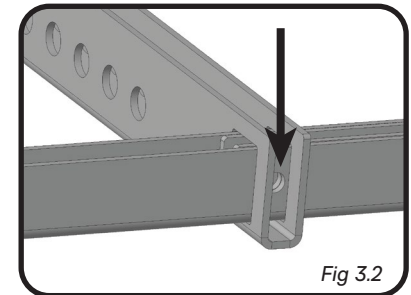
Step 2: Assemble Length Adjusters

1. Find the four length adjusters. There are two wide length adjusters (A) and two narrow length adjusters (B).
2. Lay the two narrow length adjusters inside the two wide length adjusters with the square holes at opposite ends. Make sure the u-shape of the length adjusters opens upward. (Fig 2.1a)



Step 3: Assemble Width Adjusters

1. Find the two wide width adjusters (C) and slide them through the square holes in the length adjusters as shown with the u-shape facing upward. (Fig 3.1)
2. Find the two short narrow width adjusters (D) and slide the end without the hook into each end of one of the wide width adjusters with the u-shape facing upward. This is the front of the frame.
3. Repeat the above step with the long narrow width adjusters (E). This is the back of the frame.
4. Align the holes in the wide width adjusters with the openings in the length adjusters as shown. (Fig 3.2)



Step 3: Assemble Width Adjusters (cont.)

5. Place a long quick-release pin (F) through each of the four holes on the width adjusters where they align with the length adjusters. Each pin should be holding three parts (length adjuster, wide width adjuster, short or long width adjuster) in place. (Fig 3.3)

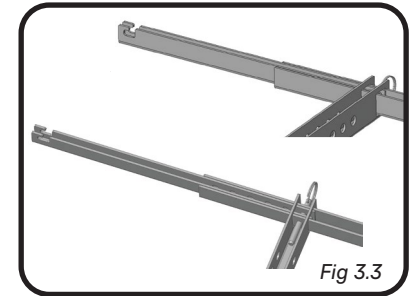


Fig 3.3

Step 4: Add Foam Blocks

1. Slide the foam blocks onto the width adjusters as shown. (Fig 4.1)
Four foam blocks go on the back width adjusters and two foam blocks go on the front width adjusters.

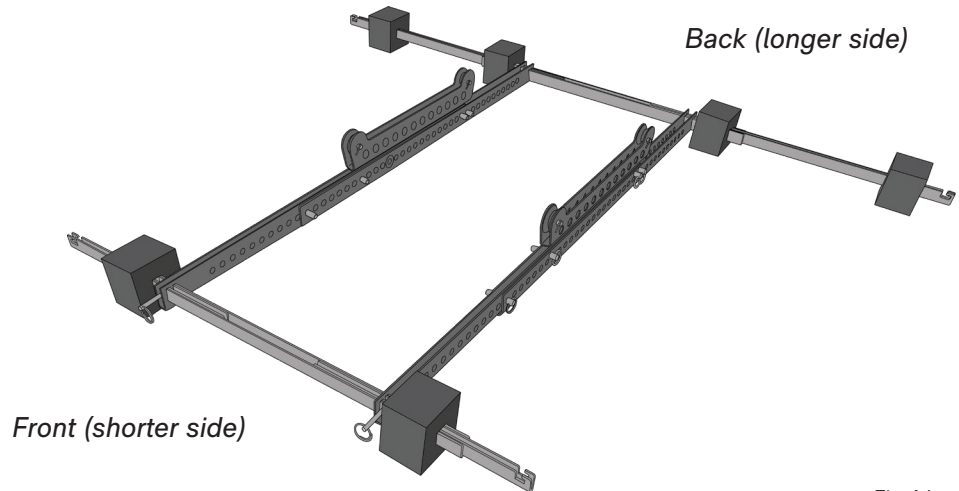
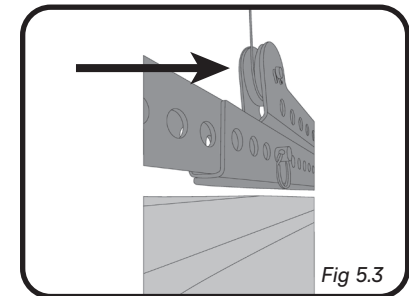
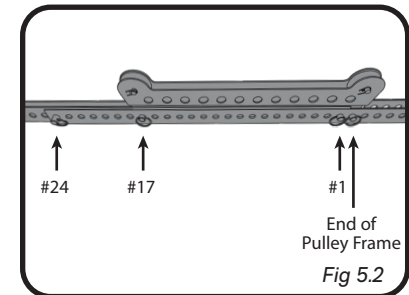
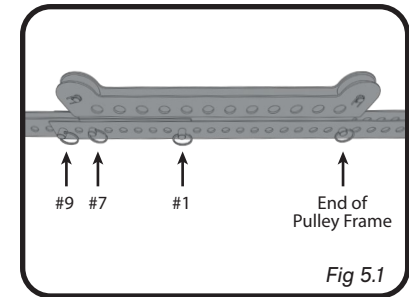


Fig 4.1

Step 5: Add Pulley Frames and Attach Hardtop Frame to MyLifters

1. Set a pulley frame (I) into the groove along each of the length adjusters. (Fig 5.1)
- 2a. For the 2-door Bronco, count 9 holes along the narrow length adjuster starting at the end without the square opening. Align this hole with the end of the wide length adjuster and insert a short quick-release pin. In the 7th hole from the same end insert a short quick release pin to attach the pulley frame as shown. Now place a short quick release pin through the first hole of the narrow width adjuster as well as the other end of the pulley frame. (NOTE: This is a good starting point to determine balance. Further adjustments may be required once the frame is attached to the hardtop).
- 2b. For the 4-door Bronco, count 24 holes along the narrow length adjuster starting at the end without the square opening. Align this hole with the end of the wide length adjuster and insert a short quick-release pin. In the 17th hole from the same end insert a short quick release pin to attach the pulley frame as shown. Now place a short quick release pin through the first hole of the narrow width adjuster as well as the other end of the pulley frame. (NOTE: This is a good starting point to determine balance. Further adjustments may be required once the frame is attached to the hardtop).
3. Place the frame under the myLifters and extend the myLifter cables so they're long enough to reach the floor and back up to the smart track.
4. Pass each cable through the appropriate pulley frame. Each cable should pass under both pulleys on each of the pulley frames. (Fig 5.3)
5. Using a ladder, attach each cable eyelet to the track using a carabiner. Refer back to Step 1 (Install Smart Track, Pg 6) if you have questions about carabineer placement.



Step 6: Lower Hardtop Frame onto Vehicle Hardtop

1. Lift the hardtop frame above the height of the vehicle's hardtop and position the vehicle under the frame.
2. If using the Hardtop kit to remove and store the hardtop from a 4-door Ford Bronco, place the large middle panel in its storage bag (not included) and then place the panel on top of the hardtop with the front of the middle panel facing towards the rear of the hardtop. (Fig 6.1)
3. Slowly lower the hardtop frame onto the hardtop. Perfect alignment is not necessary, but try to get close. (Fig 6.2)

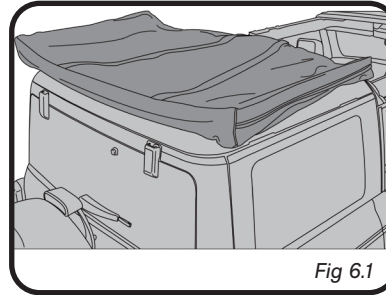


Fig 6.1

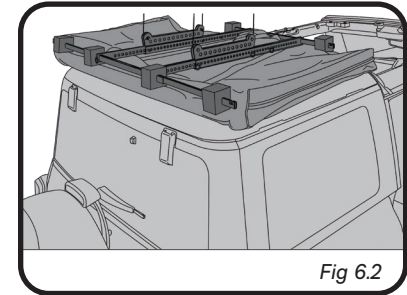


Fig 6.2



NOTE

The frame will not be level if it's not attached to the hardtop. It should be leveled after the hardtop is attached and all relevant cargo (e.g. roof panels) is stowed.

4. This is a good time to set the Low "Smart Point". Refer to the MyLifter Manual for App instructions. NOTE: Smart Points make it easy to raise and lower the hardtop to specific high and low locations with the touch of a button. (Fig 6.3)

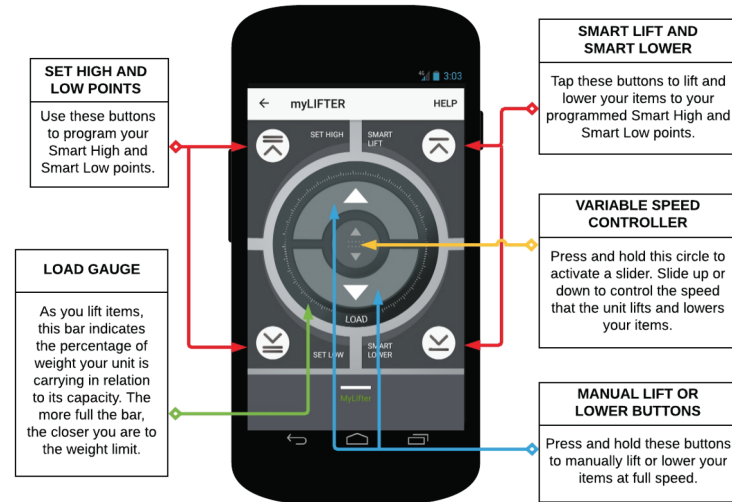


Fig 6.3

Step 7: Attach Frame to Hardtop with Cargo Net

1. Feed the non-adjustable ends (front) of the cargo net (K) between the hardtop and the roof support/roll bars. (Fig 7.1a, b)
2. Attach the non-adjustable ends of the cargo net to the hooks on each end of the width adjusters on the front of the frame. Attach the loop by first sliding it past the hook and then feeding it into the hook. (Fig 7.2a, b, & c)
3. Feed the adjustable ends (back) of the cargo net between the rear window and the hardtop. Be sure the straps are outside the hinges. (Fig 7.3)
4. Attach the adjustable ends of the cargo net to the rear width adjusters (one to each end) by sliding the loop past the hook then feeding it into the hook. (Fig 7.2a, b, & c)

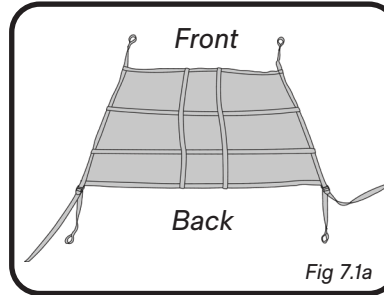


Fig 7.1a

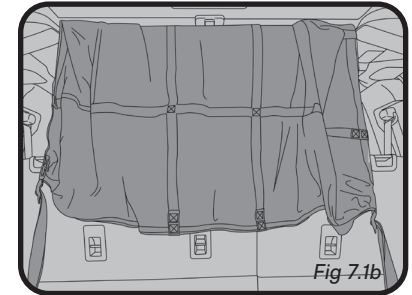


Fig 7.1b

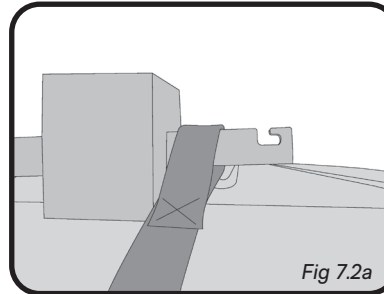


Fig 7.2a

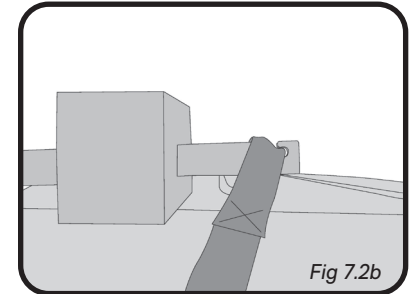


Fig 7.2b

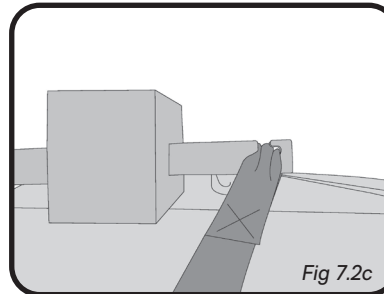


Fig 7.2c

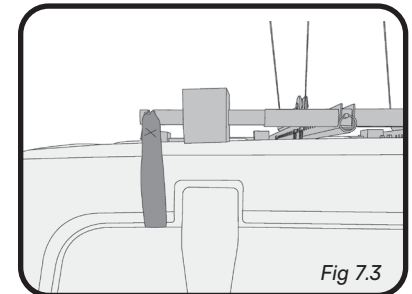
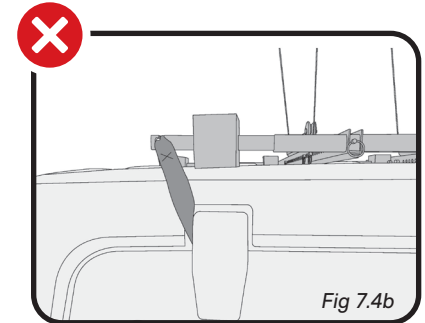
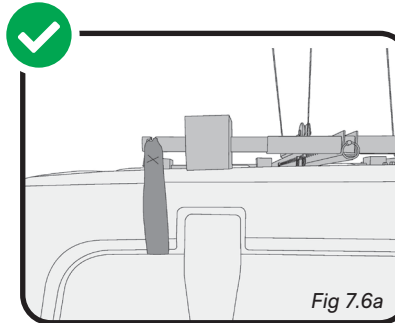
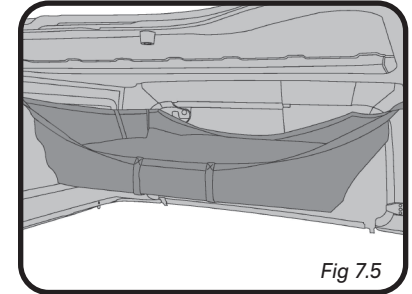
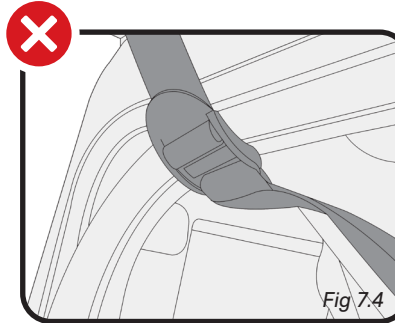


Fig 7.3

Step 7: Attach Frame to Hardtop with Cargo Net (cont.)

6. Make sure the straps are snug, but don't over tighten them.
7. Ensure the metal adjuster brackets on the adjustable ends of the straps ARE NOT resting against the rubber weather seal for the rear glass. If they are, adjust the straps so the brackets are not against the rubber weather seal. Failure to do so can result in damage to the glass.
- 8a. For 4-door Broncos, place the removable front roof panels in their storage bags (not included) and place them in the cargo net (through the rear door glass). (Fig 7.5)
- 8b. For 2-door Broncos, the removable roof panels will be placed in the cargo net after the hardtop is removed.



CAUTION

Be sure that all load bearing straps do not rest on any fragile or breakable items. (Fig 7.6a, b)

Step 8: Remove Hardtop

1. Unbolt the hardtop from the vehicle. Unhook the electrical and fluid lines according to your vehicle owner's manual.
2. Slowly lift the hardtop free. If you've placed roof panels in the cargo net be sure they do not get caught on the roll bar or speakers. Raise the hardtop to the desired height/position. **DO NOT run the pulley frames into the lifters as this can damage them.** (Fig 8.1)
3. If you still need to place roof panels into the cargo net, move your vehicle out of the way so you can lower the hardtop for easier access.
4. Lower the hardtop to chest height and place the roof panels into the cargo net. (Fig 8.2) We recommend you put the roof panels in their storage bags (not included) to protect them during storage.

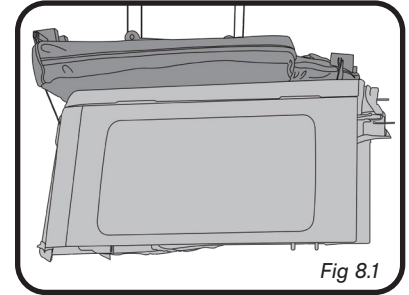


Fig 8.1

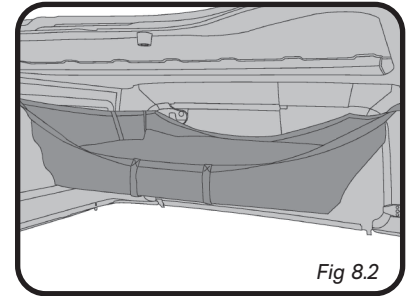


Fig 8.2

**CAUTION**

Be sure to remove all bolts and unhook all electrical and fluid lines according to your vehicle owner's manual.

Do not overload your cargo net while Hardtop is in the lifted position or it will not lower.

8. Remove Hardtop (cont.)

5. If the hardtop is leaning forward, adjust the pulley frames forward. Be sure not to change/adjust the length when adjusting the position of the pulley frames.
6. If the hardtop is leaning backward, adjust the pulley frames backward. Be sure not to change/adjust the length when adjusting the position of the pulley frames.
7. Repeat above steps until the load is balanced. (Adjustments are only necessary during setup. Subsequent removals should not need any adjustment.)
8. Lift the hardtop to the ceiling. Be sure not to lift it too high to avoid running the pulley frames into the lifters. Doing so can cause damage to the lifters.
9. This is a good time to set the High "Smart Point". Refer to the MyLifter Manual for App instructions. NOTE: Smart Points make it easy to raise and lower the hardtop to specific high and low locations with the touch of a button.



CAUTION

Do NOT run the Pulley frames into the myLifter. This can damage MyLifters.

How much weight can my Hardtop Kit lift?

This product uses two lifters and each lifter has a 100lb lifting capacity. However, the hardtop frame weighs about 25 lbs resulting in a net weight lifting capacity of 175 lbs. DO NOT use more than two lifters to lift more than the designed weight limit.

How much weight can the cargo net hold?

The cargo net supports BOTH the hardtop and any cargo placed in the cargo net (i.e. roof panels). It can hold up to 175 lbs **when** the weight is evenly distributed. DO NOT point load the fabric or hang all the weight on one strap only.

Will this kit fit my vehicle's hardtop?

Visit our website at mysmarterhome.com for a list of tops this kit is compatible with. Buyer assumes all/any risk if using the hardtop kit for hardtop/vehicles not listed.

Why is my hardtop tilting forward or back?

If it is tilting all the time, the pulley frames need to be adjusted. Move the pulley frames toward the end of the hardtop that is tilting downward. If the hardtop is only tilting when lifting or lowering check to make sure the lifter cable has not come off the pulley. If the pulley is rubbing, contact the manufacturer.

Why is my hardtop tilting side to side?

One of two reasons:

1. The lifters are not level. Level the lifters in the group using your App settings. See myLifter Manual for full leveling instructions.
2. The hardtop frame is not centered on the hardtop or the width adjusters are not symmetric. Check these items if the frame is tilting side to side.

What if the spacing of my ceiling joists prevent me from placing the hardtop frame where I want it?

If joist spacing is a problem, you can purchase two more lengths of smart track which will allow you to span more joists and provide more placement options. Smart Track are available for purchase at www.mysmarterhome.com.