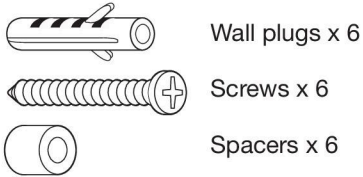


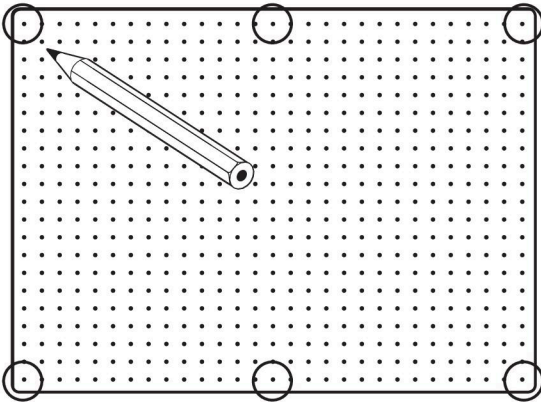
# Wall mounting instructions

Cathedral Products (UK) Ltd. Staffordshire, WS7 3GN  
www.cathedralproducts.com

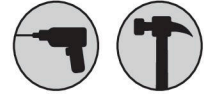
- 1** Check all fittings are supplied.



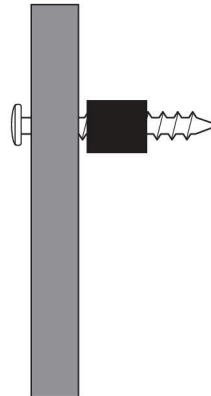
- 2** Choose a location for your pegboard, ensure it is level, and mark the wall through holes at the corners and halfway along the longest sides.



- 3** Ensure there are no pipes or cables present, then drill the wall and fully insert the wall plugs.



- 4** Insert the screws through the pegboard at the six places and assemble a spacer onto each screw.



- 5** Place the board in position and screw all the screws into the wall plugs.

