

Please read overleaf before using your trimmer

Instructions for USING your trimmer

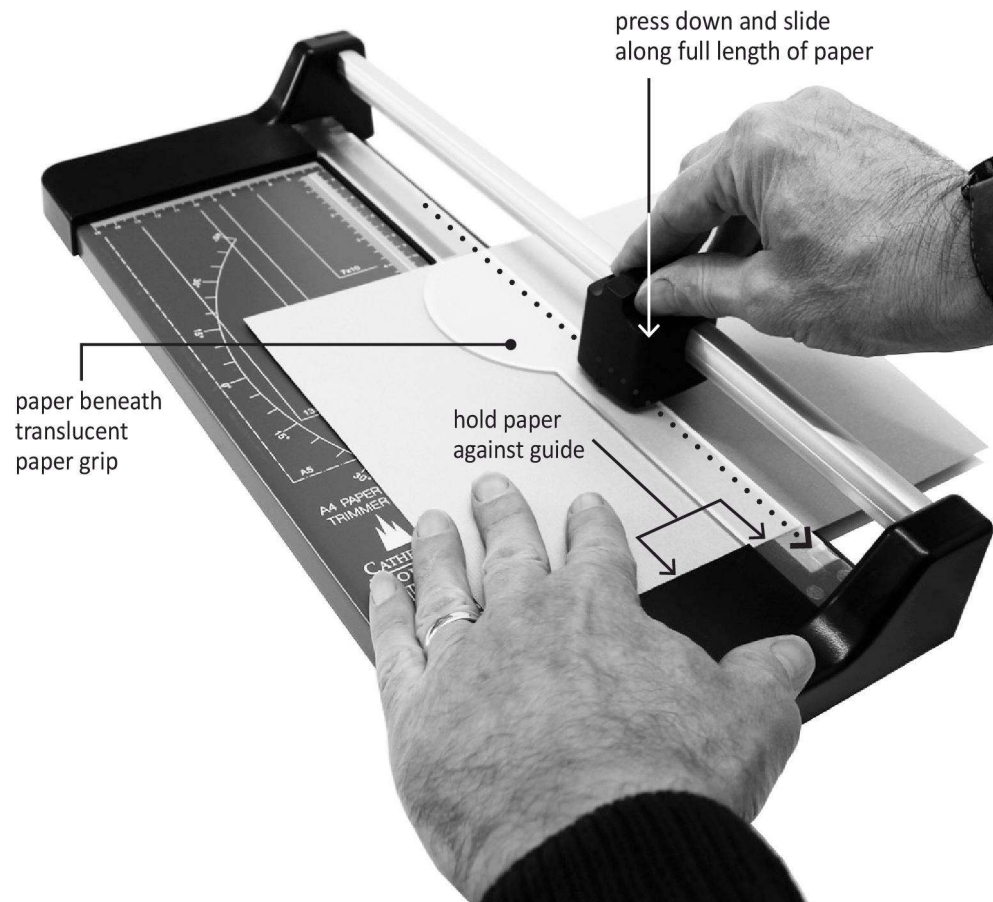
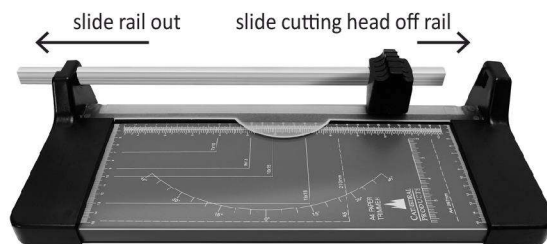
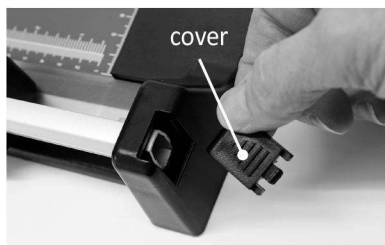
- 1 Before operating your trimmer, choose a flat, stable surface at a comfortable operating height.
- 2 Slide the cutting head to either end of the rail, and ensure that the plastic paper clamp is secure.
- 3 Place the paper you want to trim on the cutting table, and slide it **beneath** the translucent plastic guard, keeping the top edge of the paper against the guide.
- 4 Adjust the position of the paper until you are satisfied with the measurement, using the cutting table calibrated markings as a guide if required.
- 5 Holding the paper in position with one hand, with your other hand press and hold the cutting head down and slide the cutting head smoothly in one movement along to the opposite end of the rail, holding the cutting head down during the action.

MAINTAINING your trimmer

Clean your trimmer with a dry cloth, taking care to avoid touching the rotary blade cutting edge. Never use solvents or water.

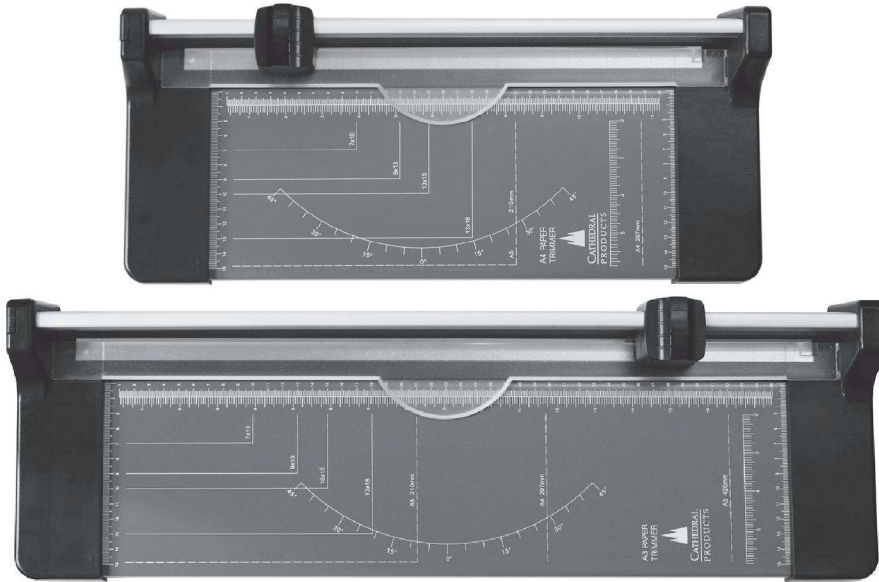
After extensive use the rotary cutting blade may wear and trimming quality will become impaired. Replacement cutting heads are available.

To replace the cutting head, unclip the cover to reveal the end of the rail. Slide the rail partially out of its mountings, and slide the cutting head off the rail, taking care not to touch the blade edge. Slide the new cutting head onto the rail and re-locate the end of the rail in its mounting. Clip the cover back in place.





ART323 and ART453 Trimmers



Thank you for buying this product. Please read this manual carefully before using your trimmer, and keep it for future reference.

Model	ART323	ART453
Maximum paper size	A4 - 210 x 297mm	A3 - 420 x 297mm
Cutting length	320mm	460mm
Maximum cutting capacity	10 sheets 80gsm	10 sheets 80gsm
Cutting table dimensions	320 x 157mm	460 x 157mm
Weight	0.82 Kgs	1.04 Kgs

Please read before using your trimmer

To avoid damaging your trimmer

- 1 Attempting to trim more than the recommended 10 sheets of paper could cause permanent damage to the blade.
- 2 This product is intended for trimming paper and thin card. Do not use it for any other purpose.
- 3 Remove paper clips and staples from paper before trimming.
- 4 Do not expose your trimmer to humidity, water and other liquids (except when cleaning - see **Maintenance overleaf**).

Note: After extensive use, the cutting blade may wear and trimming quality could be impaired. Replacement cutting blades are available, and are easy to install - see your **using instructions overleaf**.

To avoid the risk of personal injury

- 5 **CHILDREN UNDER THE AGE OF 12 YEARS SHOULD NOT OPERATE THE TRIMMER WITHOUT ADULT SUPERVISION.**
- 6 Always operate the trimmer on a flat, level and stable surface.
- 7 Always operate the trimmer with the translucent paper grip in place.

Instructions for USING YOUR TRIMMER
are OVERLEAF