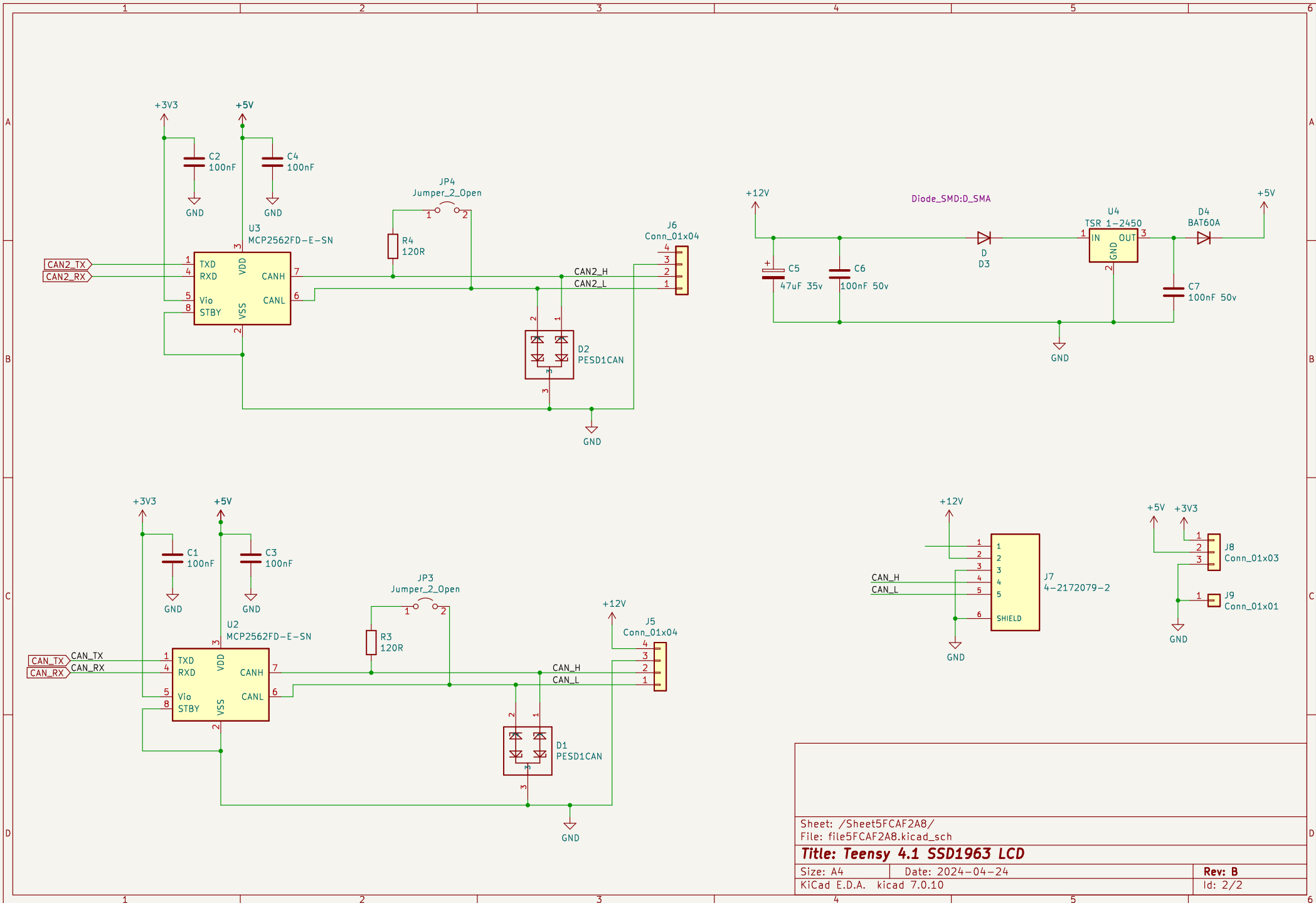


Sheet: /	
File: teensy41_800x480_lcd_rev_B.kicad_sch	
<b>Title: Teensy 4.1 SSD1963 LCD</b>	
Size: A4	Date: 2024-04-24
KiCad E.D.A. kicad 7.0.10	Rev: B
	Id: 1/2



Sheet: /Sheet5FCAF2A8/	
File: file5FCAF2A8.kicad_sch	
<b>Title: Teensy 4.1 SSD1963 LCD</b>	
Size: A4	Date: 2024-04-24
KiCad E.D.A. kicad 7.0.10	Rev: B
	Id: 2/2