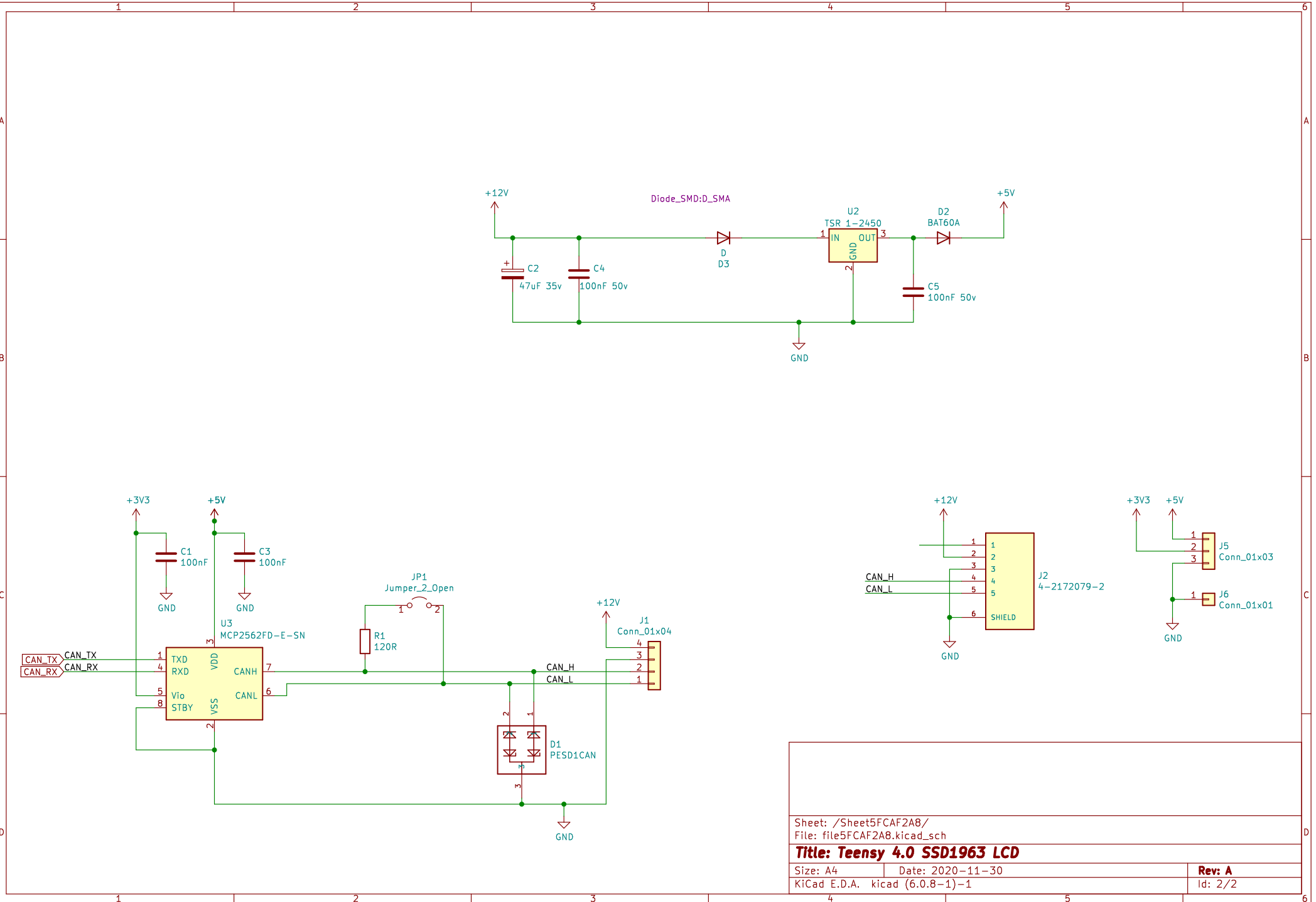


Sheet5FCAF2A8

File: file5FCAF2A8.kicad\_sch

Sheet: /	
File: teensy40_800x480_lcd_rev_A.kicad_sch	
<b>Title: Teensy 4.0 SSD1963 LCD</b>	
Size: A4	Date: 2023-01-05
KiCad E.D.A. kicad (6.0.8-1)-1	Rev: A
	Id: 1/2



Sheet: /Sheet5FCAF2A8/	
File: file5FCAF2A8.kicad_sch	
<b>Title: Teensy 4.0 SSD1963 LCD</b>	
Size: A4	Date: 2020-11-30
KiCad E.D.A. kicad (6.0.8-1)-1	Rev: A
	Id: 2/2