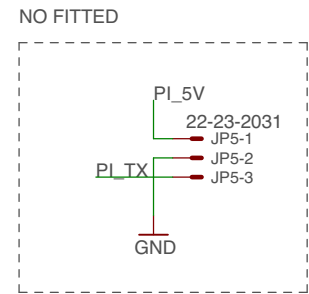
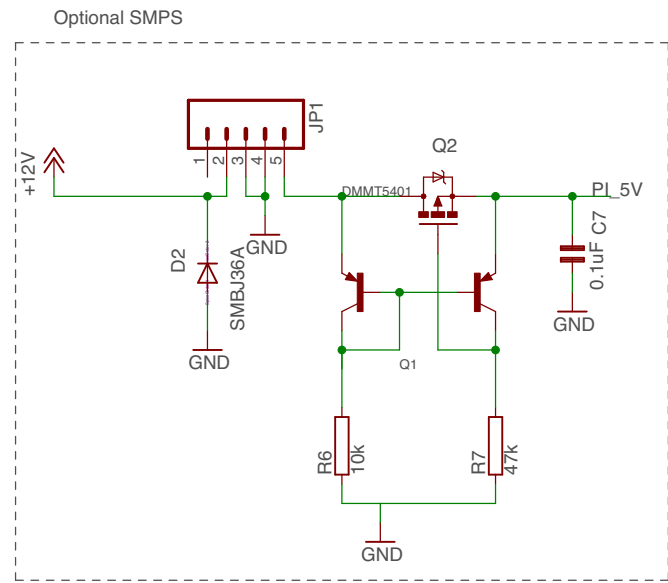
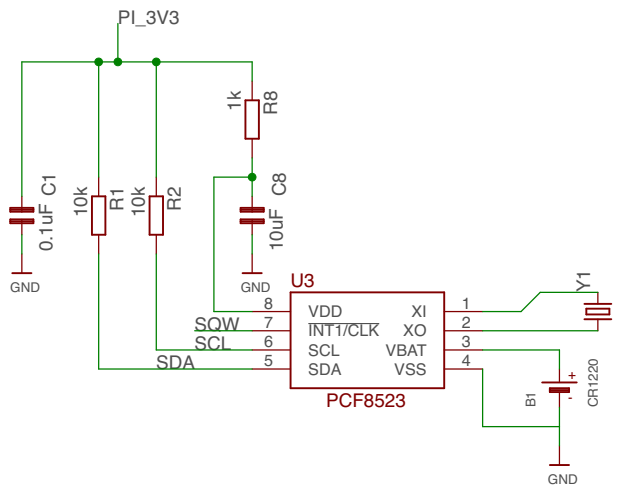


	CAN ANALYSER	OBDII	SOLDER-JOINT
CAN H	7	3	SJ2
CAN L	2	5	SJ3
GND	3	2	SJ1

PiCAN 3 Board
www.skpang.co.uk

pican3_rev_C
 01/07/2019 19:12
 Sheet: 1/2 Rev B



PiCAN3 Board		pican3_rev_C	
www.skpang.co.uk		01/07/2019 19:12	
Sheet: 2/2		Rev B	