

SK Pang Electronics Ltd

Sheet:
File: pic18f57q84_canfd_rev_A.kicad_sch

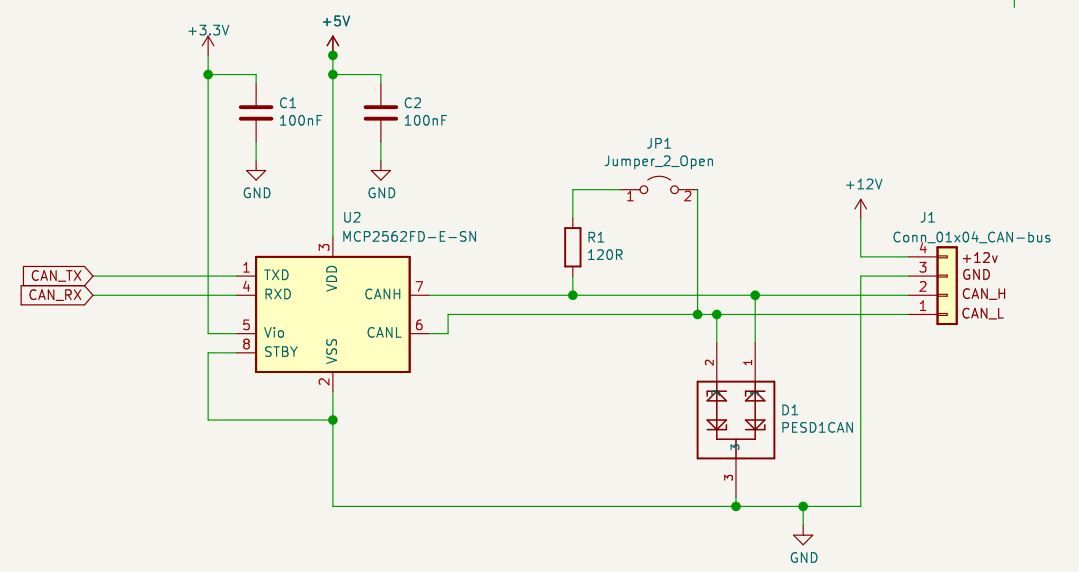
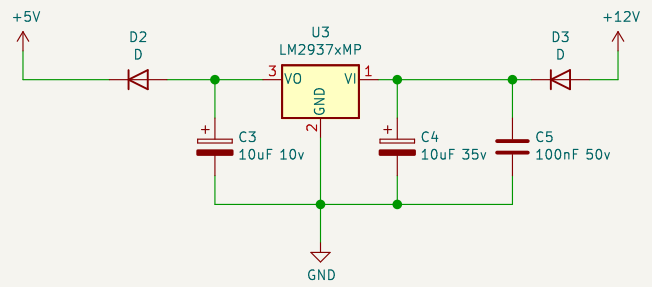
Title: Curiosity Nano PIC18F57Q84 CAN FD demo board

Size: A4 Date: 2023-06-22

KiCad E.D.A. kicad (7.0.0-0)

Rev: A

Id: 1/2



SK Pang Electronics Ltd		
Sheet:		
File: can-bus.kicad_sch		
Title: Curiosity Nano PIC18F57Q84 CAN FD demo board		
Size: A4	Date: 2023-06-22	Rev: A
KiCad E.D.A. kicad (7.0.0-0)		Id: 2/2