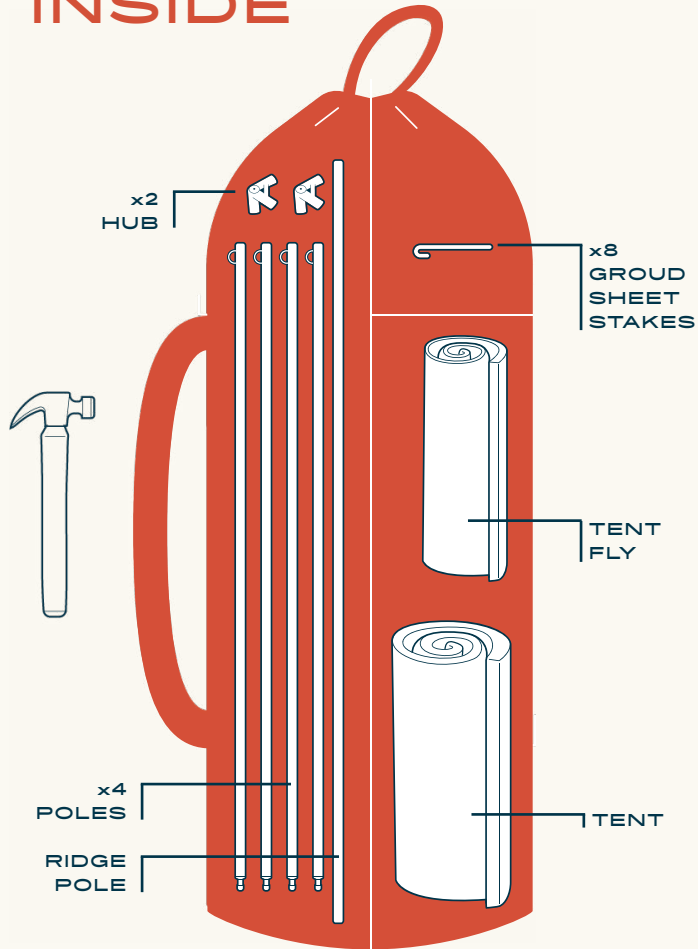


A
MARTI
TENT

THEGETOUT.SHOP

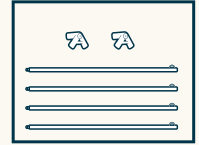
WHAT IS INSIDE



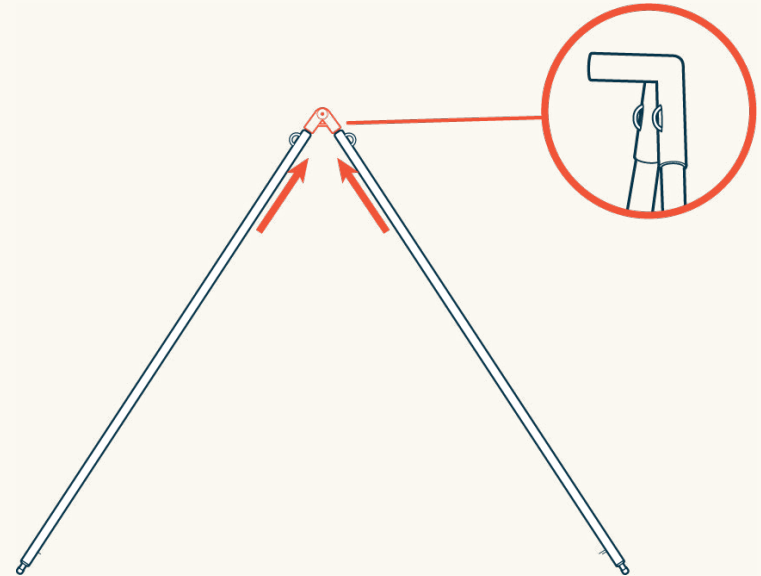
STEP ONE



Unroll your tent, groundsheet down. Connect two poles into each hub using metal button to secure into the hub.

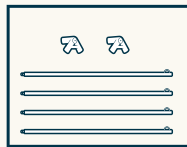


WHAT YOU NEED

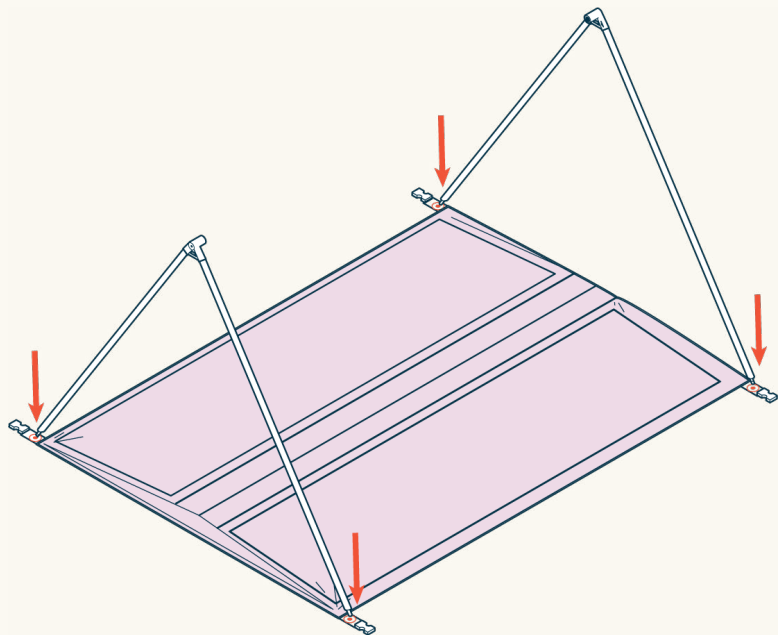


STEP TWO

✦ Insert poles into 4 corner grommets.

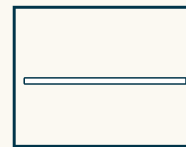


WHAT
YOU
NEED

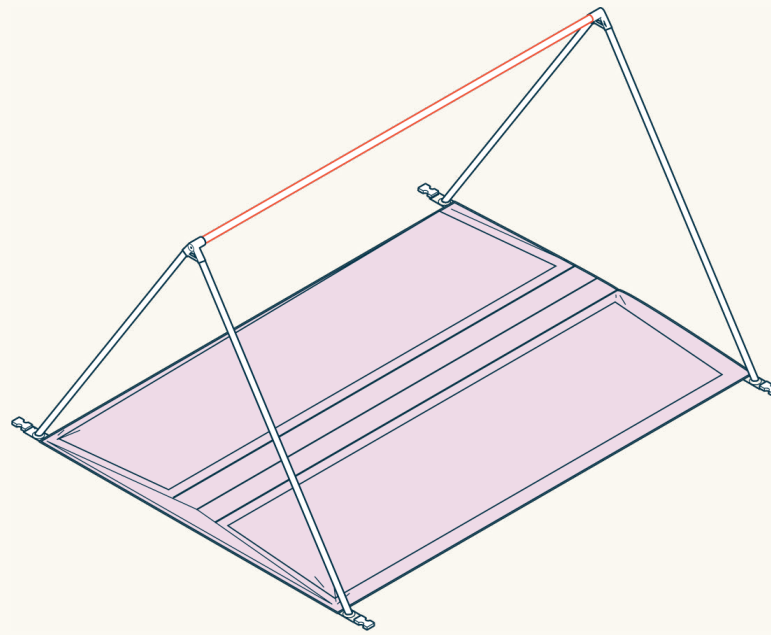


STEP THREE

😊 Connect ridge pole to both hubs.

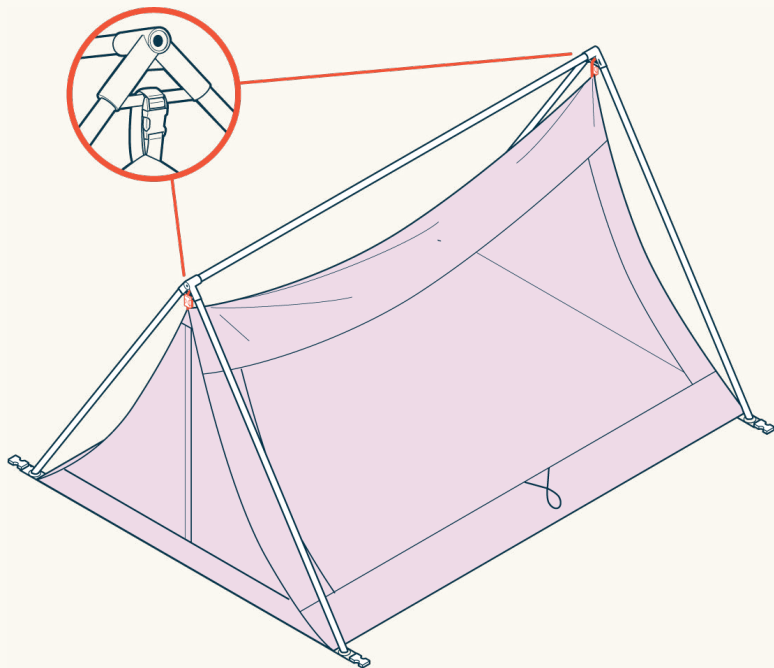


WHAT
YOU
NEED



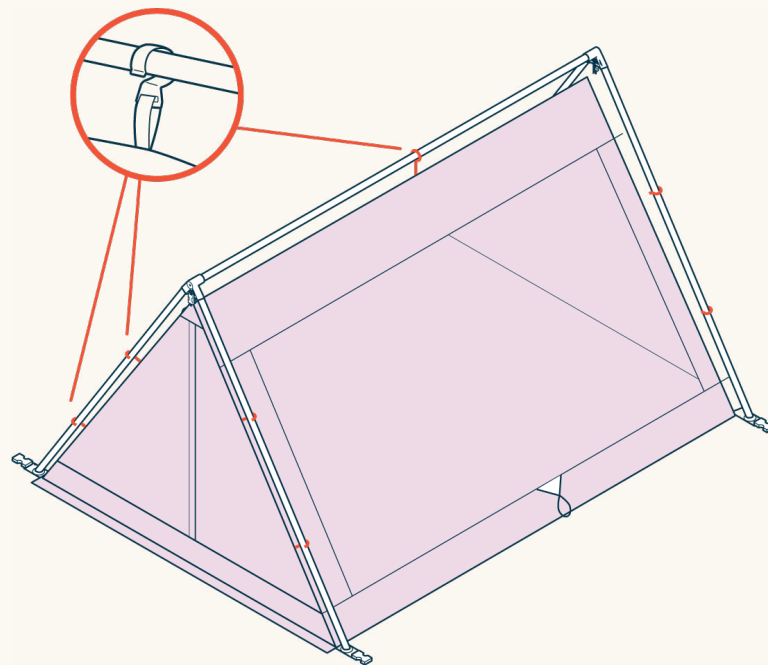
STEP FOUR

✦ Clip tent to both hubs using integrated buckle.



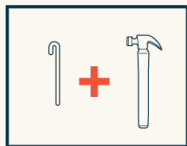
STEP FIVE

😊 Attach tent clips to poles.

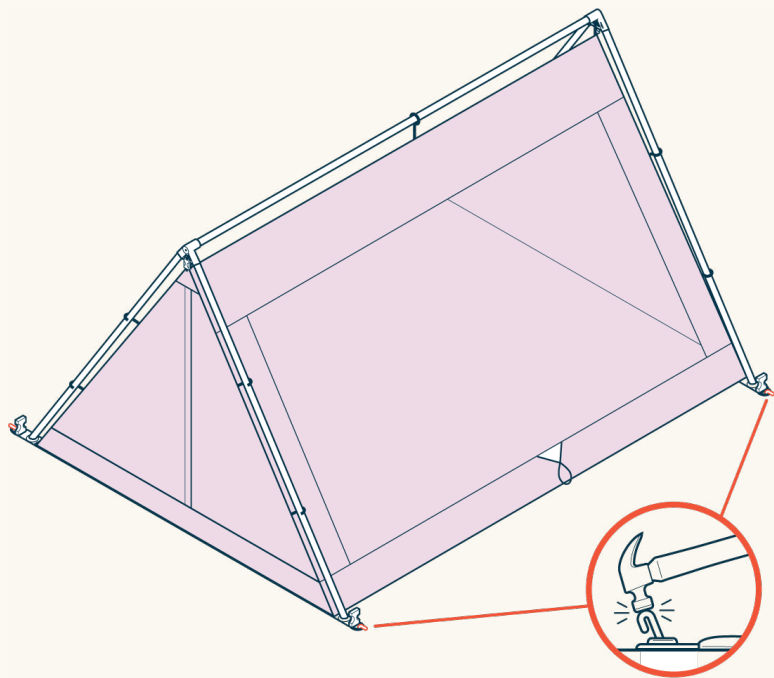


STEP SIX

★ Hammer in 6 stakes to secure (need to add an additional line showing a stake in the center of the long side of the tent).

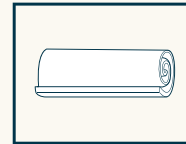


WHAT YOU NEED

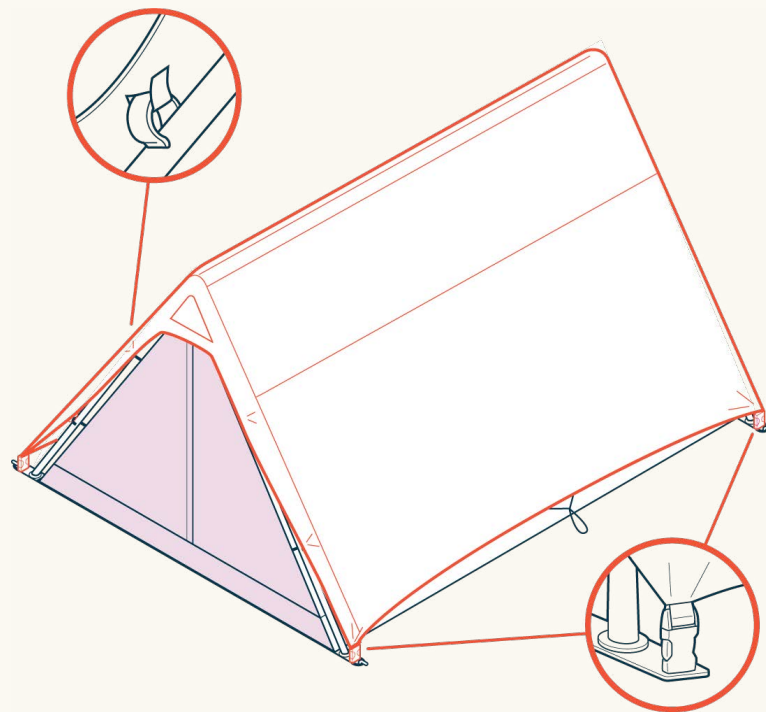


STEP SEVEN

😊 Install rainfly. Secure to clips along side poles and buckle at corners.

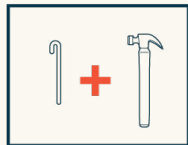


WHAT YOU NEED

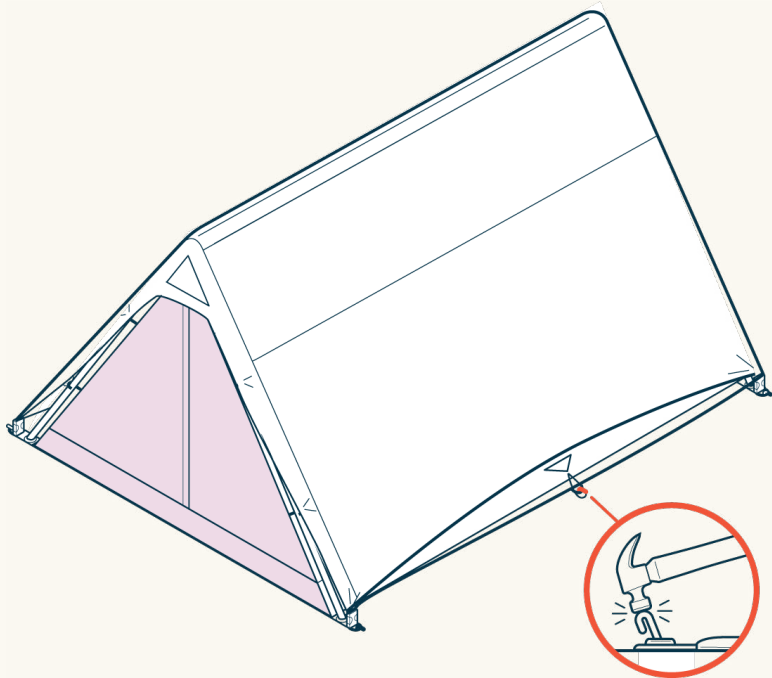


STEP EIGHT

✦ Hammer in 2 rainfly stakes.



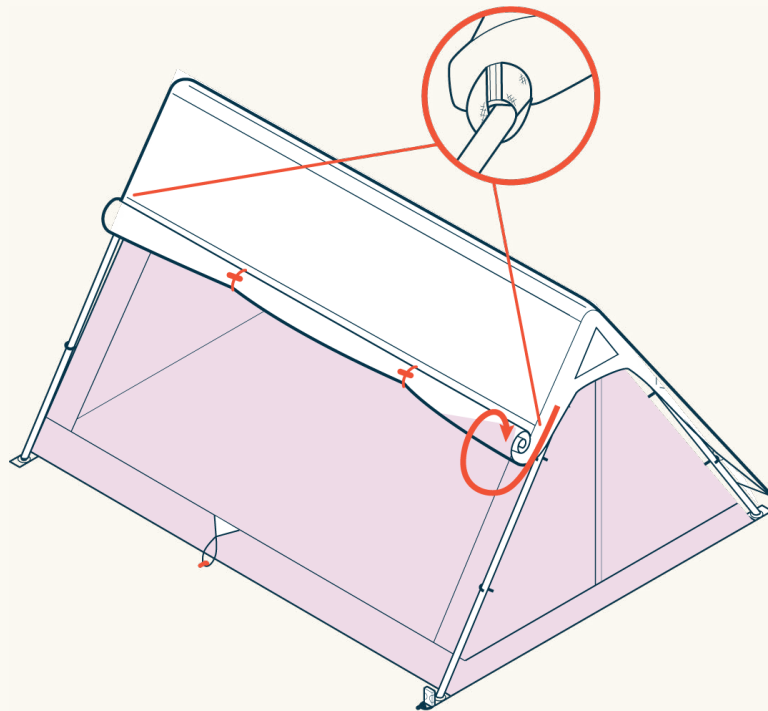
WHAT YOU NEED



STEP NINE

😊 Roll up sides for ventilation and secure with toggles.

WHAT YOU NEED





TWO
DOOR

EXIT

lightweight

5 MINUTE
SET UP



KEY FEATURES

INSTRUCTIONS FOR USE AND CARE

The A Frame tent is intended for personal leisure use and is a temporary structure.

When setting up your tent, carefully consider the possibility of falling rocks or tree limbs, lightning strikes, flash floods, avalanches, strong winds, and other possible hazards to help reduce the risk of loss or injury to the tent or occupants.

The A Frame tent is made of flame resistant fabric which meets CPAI-84 specifications. It is not fireproof. The fabric will burn if left in continuous contact with any flame source. Keep all flames and heat sources away from the tent. The application of any foreign substance to the tent fabric may render the flame resistant properties ineffective. Do not operate any device which burns fuel inside this tent.

CLEANING: Spot clean with warm water and a mild detergent. Test on an inconspicuous area before application. For overall cleaning, a power washer and scrub brush will get your tent looking good as new. Make sure you give the fabric time to fully dry before packing and storing. Always store in a dry place.

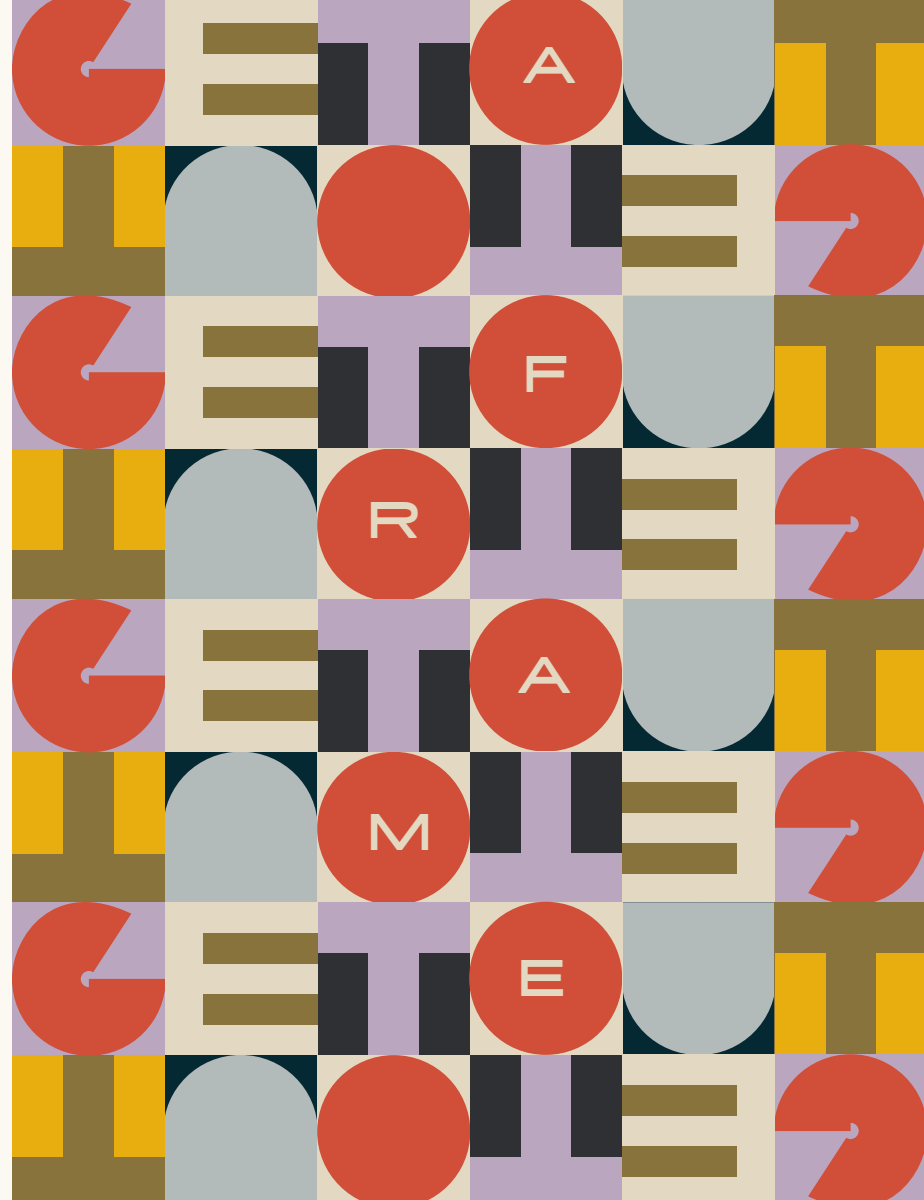
REPAIRS: The materials used on the A Frame tent have been selected for their durability and ease of maintenance, but accidents do happen. Always apply any fabric repair work on the outside of the tent. Rips in the fabric can be stitched closed using a regular small gauge needle and thread. For groundsheets repairs, use a round PVC patch applied to both sides of the tear with a strong contact adhesive. Contact The Get Out for spare parts and repair kits.

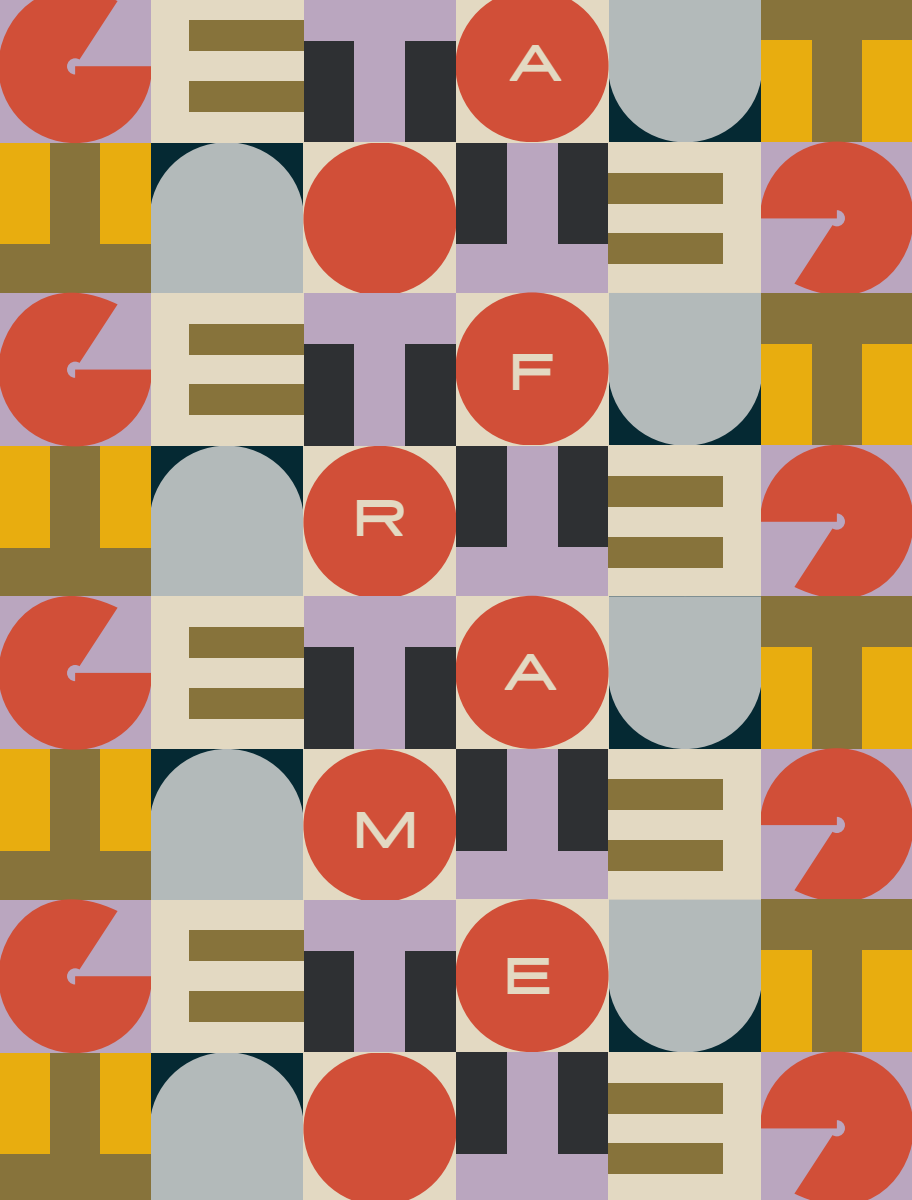
WARRANTY

All Get Out tents carry a one year manufacturer warranty. This warranty does not cover mold or mildew damage due to improper use or storage. Please follow instructions for care to avoid damage.

For questions please contact us via phone or email at:

THE GET OUT
T: 707-242-1911
hello@thegetout.shop
www.thegetout.shop





M
A
R
T
I
N