



Golf Cart Underglow Kit Installation Diagram

We are striving to build an reliable brand of golf carts parts and accessories.

Hope this manual can assist you to easier install.

For more technical support, please reach us via

Website : www.10LOL.com

Email : sale_service@10LOL.com

Facebook : zhong zaiyang

Youtube : 10LOL

| Contents | Qty | Installation Tools | Qty |
|--------------------------------|-----|--------------------|-----|
| Underglow LED Light Strip..... | 4 | 14mm Wrench..... | 1 |
| Control Box..... | 1 | | |
| Cable Ties..... | 15 | | |
| Screws..... | 2 | | |
| Remotes Control..... | 1 | | |
| Manual..... | 1 | | |



14mm Wrench

See Figure 1



Installation Steps

1. Find a place in battery storage, wipe off the dust.

See figure 1



2. Use double-sided tape to fixed the Input Control box.

See figure 2



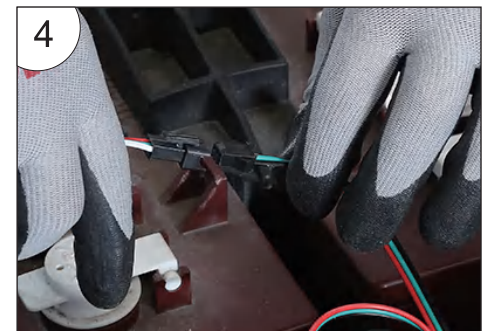
3. As shown in illustration.

See figure 3



4. Connect the light wire to the Input Control box.

See figure 4



5. Connect all light strips.



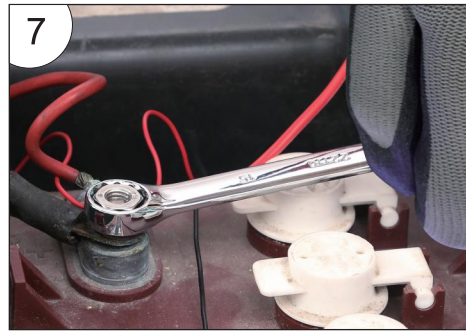
See figure 5

6. Connect the negative terminal of the battery (black cord).



See figure 6

7. Connect the positive terminal of the battery (red cord).



See figure 7

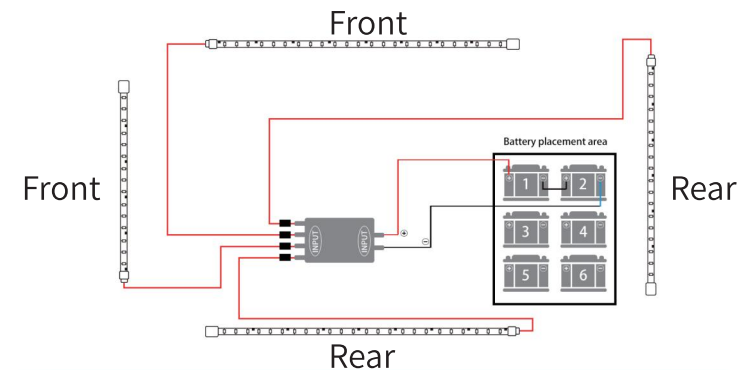
8. Power supply installation diagram.



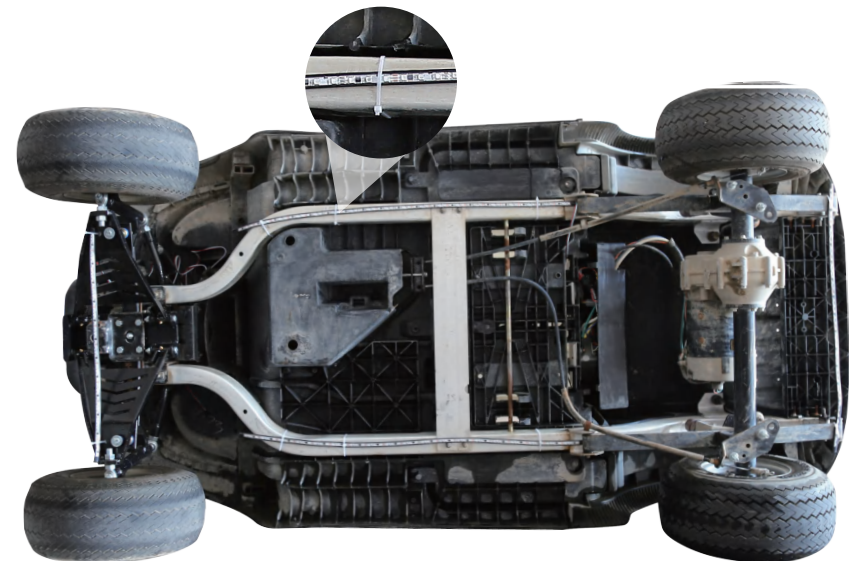
See figure 8

9. Light strip installation diagram.

See figure 9



Wiring Diagram of Golf Cart Ribbon Light Bar.



Fantasic Color light Strip Function

Button:

A:OFF B:ON C:Music Mode D:Switching Mode

Each time press button “A”to turn on, then press button “D”to switch modes.

24 Modes Selection:

1. Fantasic Color Flow Mode
2. Colorful Cyclic Flash Mode
3. Colorful Flow Mode
4. Fantasic Color Gradient Mode
5. Colorful Switching to Flow Mode
6. Colorfu Cyclic Flow Mode
7. Red Gradient Mode
8. Blue Gradient Mode
9. Green Gradient Mode
10. Purple Gradient Mode
11. Light Blue Gradient Mode
12. Yellow-green Gradient Mode
13. White Gradient Mode
15. Colorful Chase Mode
16. Colorful Strobe Mode
17. Red Solid Color Mode
18. Blue Solid Color Mode
19. Green Solid Color Mode
20. Purple Solid Color Mode
21. Light Blue Solid Color Mode

22. Yellow-green Solid Color Mode

23. White Solid Color Mode

24. Music Sync Mode

Precautions :

1. Connect the lights and then power on to test whether it works. It can be dangerous to power on during the installation process.
Please power on after installation.
2. Do not twist the light bar during installation to prevent the light bar from breaking or disconnection.
3. When replacing the remote control or control box, press any key on the remote control to pair the remote control and the control box within 5 seconds of power on.

Troubleshooting:

1. If the light turns off but occasionally turns on automatically
Check: Whether there is any looseness between the power cord of the control box and the battery.
2. If the light works before installation, but not after installation
Check: Whether the connection port between the lamp and the main controller is loose, is the main controller and Battery positive and negative connected.
3. When the remote control does not work
Check: Whether the remote control battery is charged. Then reconnect the control box, press any key on the remote control to re-pair within 5 seconds of power on.
4. When half of the bar lights are off or there is only one color in the seven color modes
Check: Whether the light bar is twisted or damaged, if it cannot be repaired, it should be replaced.