



Club Car DS Rear Leaf Spring Urethane Bushing and Steel Bushing Installation Instruction

We are striving to build an reliable brand of golf carts parts and accessories.

Hope this manual can assist you to easier install.

For more technical support, please reach us via

Website : www.10101.com

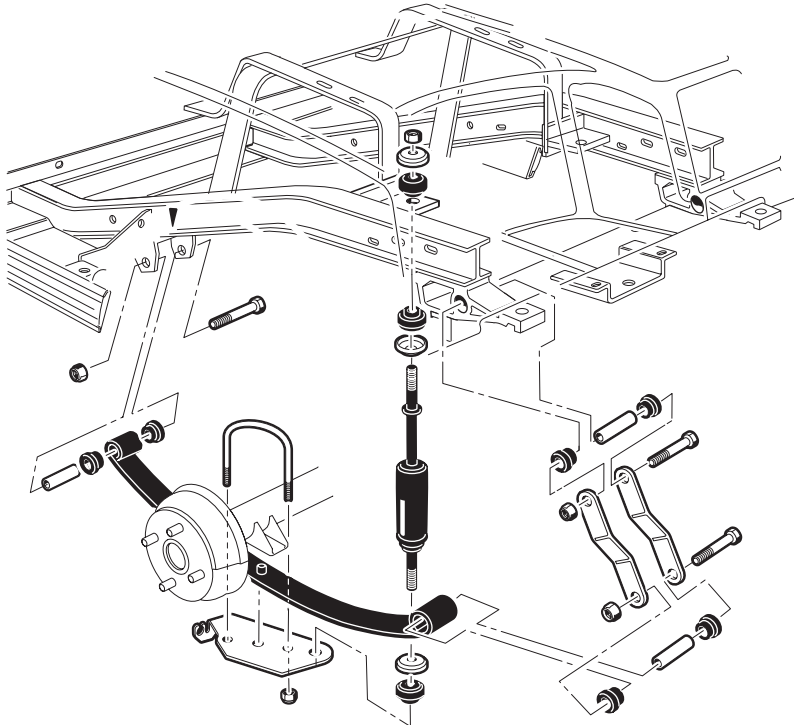
Email : sale_service@10101.com

Facebook : zhong zaiyang

Youtube : 10L0L

Contents	Qty	Installation Tools	Qty
Urethane Bushing.....	8	Slotted screwdriver.....	1
Steel Bushing.....	4	9/16-inch (14mm) spanner.....	2
(See figure 1)		5/8-inch (16mm) spanner.....	1
		3/4-inch (19mm) socket.....	1
		Jack.....	1

Assembly Diagram



Installation Tools



Installation Steps

1. Park the vehicle on level ground.
2. Turn the key to “OFF” position and remove it from the switch.
3. Make sure the parking brake is set.
4. Loosen the screws of the rear tire with the 3/4-inch (19mm) socket.

(See figure 2)



5. Raise the frame of the rear suspension with the jack to hang the rear tire in the air.

(See figure 3)



6. Remove the screws of the rear tire with the 3/4-inch (19mm) socket, and remove the rear tire; then put the tire under the chassis (in case the jack accidentally leans or slips down)

(See figure 4)



7. Remove the screw on the front-end of the rear leaf spring with two 9/16-inch (14mm) spanner.

(See figure 5)



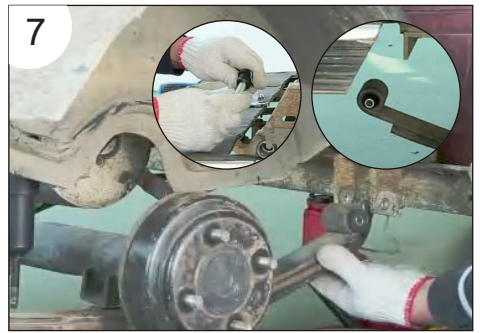
8. Remove the urethane bushing and steel bushing with the slotted screwdriver.

(See figure 6)



9. Install new urethane bushing and steel bushing.

(See figure 7)



10. Pass the screw through steel bushing.

(See figure 8)



11. Install the screw on the front-end of the rear leaf spring with two 9/16-inch (14mm) spanner.

(See figure 9)



12. Install the rear tire.

(See figure 10)



This all completes your installation.