



Steering Wheel Installation Instruction

We are striving to build a reliable brand of golf carts parts and accessories.
Hope this manual can assist you to easier install.

For more technical support, please reach us via

Website : www.10101.com

Email : sale_service@10101.com

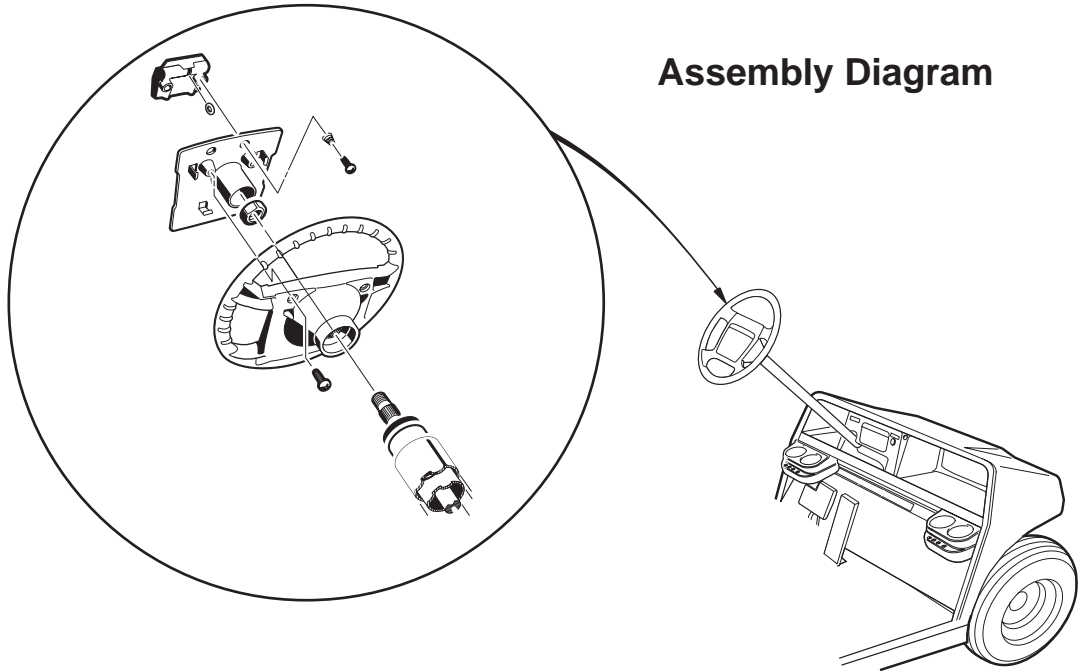
Facebook : zhong zaiyang

Youtube : 10L0L



Scan To Get
Installation Video

Contents	Qty	Installation Tools	Qty
Steering Wheel.....	1	Cross Screwdriver.....	1
Hex-Head Spanner.....	1	24mm(7/8-inch) Socket.....	1
(See figure 1)		Hex-Head Spanner.....	1
		Hammer.....	1



Assembly Diagram

Installation Tools



Installation Steps

1. Park the vehicle on level ground.
2. Turn the key to “OFF” position and remove it from the switch.
3. Make sure the parking brake is set.
4. Remove the screws of the scorecard plate assembly with the cross screwdriver.

See figure 2

5. Remove the scorecard plate assembly.

See figure 3



14. Install the 6 screws with the hex-head spanner

See figure 12

This completes the installation.



10. Install the screw and tighten it with the 24mm(7/8-inch) socket

See figure 8



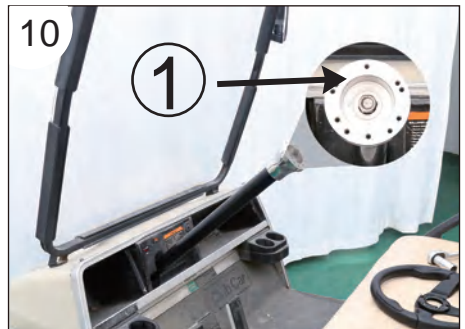
11. Remove the 6 screws on the steering wheel with the hex-head spanner

See figure 9



12. Adjust the steering wheel mounting adapter to keep it in straight direction (Make sure the hole ① is located exactly right ahead.)

See figure 10



13. Adjust the steering wheel to keep it in straight direction

See figure 11



6. Remove the screws of the steering wheel with the 24mm(7/8-inch) socket.

See figure 4



7. Use a hammer to gently loosen the screws so that the steering wheel can be removed smoothly.

See figure 5



8. Shake from side to side, and remove the steering wheel.

See figure 6



9. Install the mounting adapter

See figure 7

