



Club Car DS Model Rear Shock Absorber Installation Instruction

We are striving to build an reliable brand of golf carts parts and accessories.

Hope this manual can assist you to easier install.

For more technical support, please reach us via

Website : www.10101.com

Email : sale_service@10101.com

Facebook : zhong zaiyang

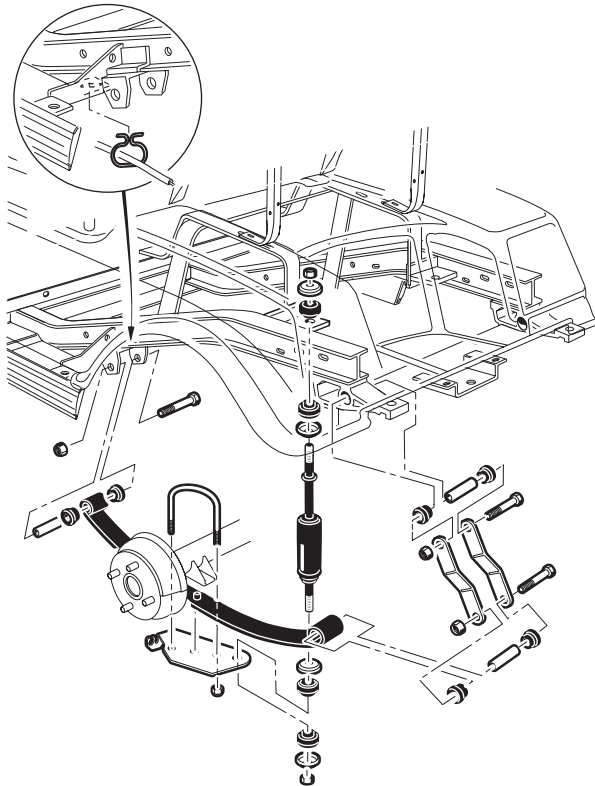
Youtube : 10L0L



Scan To Get
Installation Video

Contents	Qty	Installation Tools	Qty
Rear Shock Absorber	1	9/16-inch (14mm) spanner.....	1
(See figure 1)			

Assembly Diagram



Installation Steps

1. Park the vehicle on level ground.
2. Turn the key to "OFF" position and remove it from the switch.
3. Make sure the parking brake is set.
4. Loosen the upper terminal screw of the shock absorber with a 9/16-inch (14mm) spanner

(See figure 2)
5. Loosen the lower terminal screw of the shock absorber with a 9/16-inch (14mm) spanner

(See figure 3)

Installation Tools



9/16 inch (14mm)

1



2



3



6. Remove the upper terminal and lower terminal shock absorber cushions

(See figure 4)



7. Remove the shock absorber

(See figure 5)



8. Combine the shock absorber and upper terminal cushions

(See figure 6)



9. Combine the shock absorber and lower terminal cushions

(See figure 7)



10. Install the the shock absorber

(See figure 8)



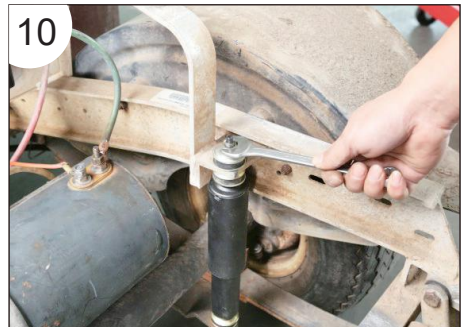
11. Install the the shock absorber terminal cushions

(See figure 9)



12. Install the upper terminal screw and tighten it with a 9/16-inch (14mm) spanner

(See figure 10)



13. Install the upper terminal screw and tighten it with a 9/16-inch (14mm) spanner

(See figure 11)



This all completes your installation.