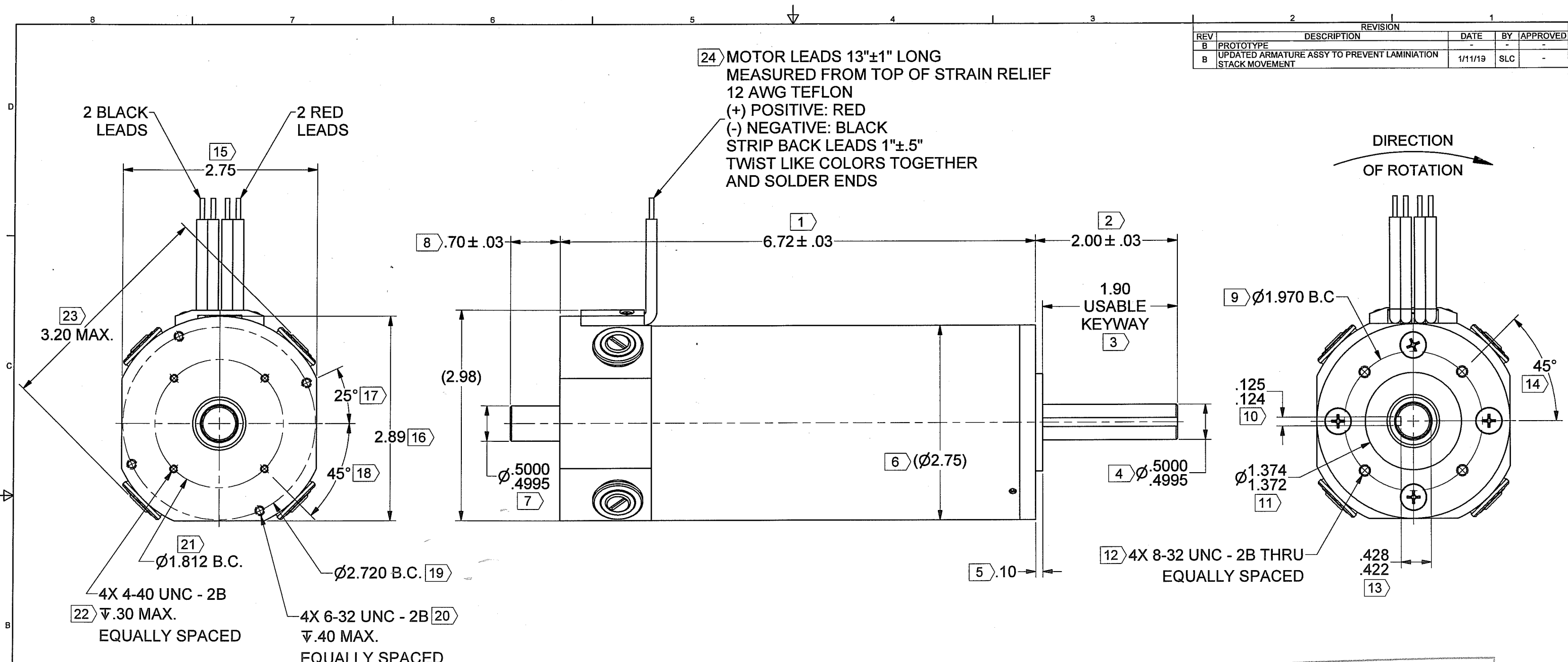


REV	DESCRIPTION	DATE	BY	APPROVED
B	PROTOTYPE	-	-	-
B	UPDATED ARMATURE ASSY TO PREVENT LAMINATION STACK MOVEMENT	1/11/19	SLC	-

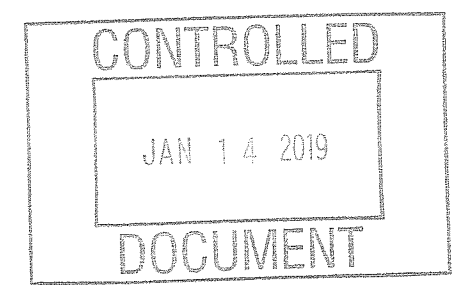


MOTOR SPECIFICATIONS:

TORQUE CONSTANT (Kt) = 6.80 ± 10% OZ-IN/AMP
VOLTAGE CONSTANT (Ke) = 5.00 ± 10% VOLTS/KRPM

NOTES:

- 1.) MOTOR ROTATION IS CLOCKWISE WHEN VIEWED FROM OUTPUT SHAFT WITH POSITIVE VOLTAGE APPLIED TO RED LEAD.
- 2.) RUNNING MOTOR WITH ONLY ONE BLACK AND ONE RED LEAD WILL DAMAGE MOTOR.
- 3.) SCREW PENETRATION NOT TO EXCEED SPECIFIED THREAD DEPTH.
- 4.) **X** IDENTIFIES INSPECTION DIMENSIONS.



UNLESS OTHERWISE SPECIFIED DIMENSIONS ARE IN INCHES & (mm)		THIRD ANGLE PROJECTION DO NOT SCALE DRAWING		THE INFORMATION CONTAINED IN THIS DRAWING IS THE SOLE PROPERTY OF MAGMOTOR TECHNOLOGIES. ANY REPRODUCTION OR DISCLOSURE OF THE INFORMATION CONTAINED THEREIN IN PART OR AS A WHOLE WITHOUT THE WRITTEN PERMISSION FROM MAGMOTOR TECHNOLOGIES IS PROHIBITED.		Magmotor	
TOLERANCES ON: ANGLES = ± 1/2° X.XX [X.X] = ± .01 [0.25] X.XXX [X.XX] = ± .005 [0.12]		SIGNATURES		DATE		TITLE	
MATERIAL		DRAWN SLC		8/9/2016		MOTOR ASSEMBLY, S28-D4-400X	
SPEC		CHECKED <i>[Signature]</i>		1/14/19		SIZE NUMBER	
FINISH		ENG APPR. <i>[Signature]</i>		1/17/19		D 500280443	
NONE		MFG APPR. <i>[Signature]</i>		1/16/19		REV B	
SPEC		Q.A.		UNLESS OTHERWISE SPECIFIED REMOVE ALL BURRS & SHARP EDGES. COUNTERSINK TAPPED HOLES TO BODY SIZE. FILLETS: .03 MAX. / EXTERNAL CORNERS: .015 MAX.		SCALE: - WEIGHT: - LB. SHEET 1 OF 3	

Model	S28-D4-400X
Part Number	500280443
Nominal Voltage	24
Ke (V/Krpm)	5
Kt (oz-in/amp)	6.8
Resisitance (Ohms)	0.015
No Load Amps	4.4
RPM @ 24 Vdc	5000
Peak HP	4.3
Stall Torque (oz-in)	3600
Efficiency	85
Capacitors	Yes
Magnet Type	Neodymium
Weight (pounds)	6.8