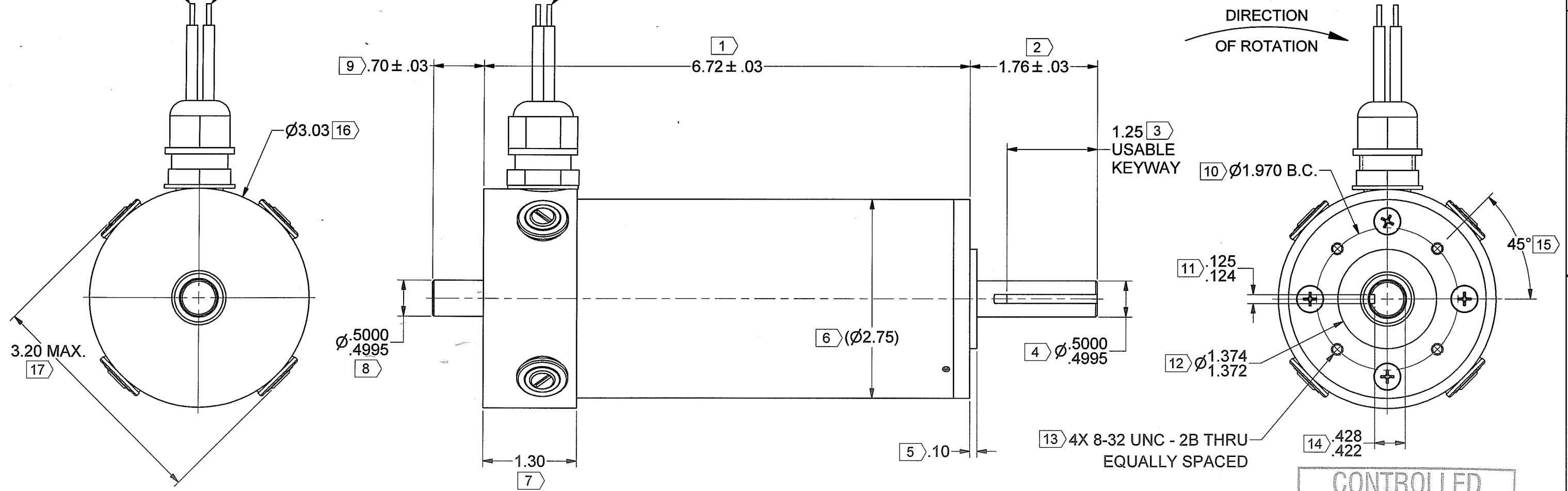


REVISION				
REV	DESCRIPTION	DATE	BY	APPROVED
B	MOTOR LENGTH WAS 6.55+/- .03	7/31/01	-	-
C	MOTOR LEADS WERE 18 AWG.	8/27/01	SEG	-
D	SHAFT EXT. WAS 1.00", UPDATED NOTES	9/12/01	-	-
E	KEYWAY LENGTH WAS .75	9/17/01	-	-
F	STRAIN RELIEF WAS 1/2"	9/28/01	-	-
0	RELEASE TO PRODUCTION, ECO02-0007, UPDATED STRAIN RELIEF VIEW, NEW RT VALUE	1/15/02	-	-
1	REMOVED SPECIAL HI-POT INSTRUCTION, ECO02-0033	5/1/02	-	-
2	050285011 WAS 050280080, DIA. .5000/.4995 WAS .4999/.4995, 1.25 WAS 1.28, ADD DIRECTION OF ROTATION, SZ ECO03-5072	10/22/03	-	-
3	REMOVED 1.00±.03, 1.372/1.374 WAS 1.375/1.378, 050285024 WAS 050285011, SZ ECO04-5033	6/8/04	CHN	-
4	050285068 WAS 050285024, 420285003 WAS 420280013, ADDED ITEM 120, ECO M05-0020	7/19/05	RAL	-
5	UPDATED BRUSH, BRUSH HOLDER, COMM, & "D4" WINDING WAS "BP", ECO # M15-0005	6/19/15	SLC	-
6	UPDATED ARMATURE ASSY TO PREVENT LAMINATION STACK MOVEMENT, ECO # M19-0002	2/6/19	SLC	-

18) MOTOR LEADS 13"±1" LONG MEASURED FROM TOP OF STRAIN RELIEF 12 AWG TEFLON (+) POSITIVE: RED (-) NEGATIVE: BLACK STRIP BACK LEADS 1"±.5" TWIST LIKE COLORS TOGETHER AND SOLDER ENDS.

2 BLACK LEADS  
2 RED LEADS



**MOTOR SPECIFICATIONS:**

TORQUE CONSTANT (Kt) = 6.80 ± 10% OZ-IN/AMP  
VOLTAGE CONSTANT (Ke) = 5.00 ± 10% VOLTS/KRPM

**NOTES:**

- 1.) MOTOR ROTATION IS CLOCKWISE WHEN VIEWED FROM OUTPUT SHAFT WITH POSITIVE VOLTAGE APPLIED TO RED LEAD.
- 2.) RUNNING MOTOR WITH ONLY ONE BLACK AND ONE RED LEAD WILL DAMAGE MOTOR.
- 3.) X IDENTIFIES INSPECTION DIMENSIONS.

CONTROLLED  
FEB 6 2019  
DOCUMENT

UNLESS OTHERWISE SPECIFIED DIMENSIONS ARE IN INCHES & [mm]		THIRD ANGLE PROJECTION DO NOT SCALE DRAWING		THE INFORMATION CONTAINED IN THIS DRAWING IS THE SOLE PROPERTY OF MAGMOTOR TECHNOLOGIES. ANY REPRODUCTION OR DISCLOSURE OF THE INFORMATION CONTAINED THEREIN IN PART OR AS A WHOLE WITHOUT THE WRITTEN PERMISSION FROM MAGMOTOR TECHNOLOGIES IS PROHIBITED.		MAGMOTOR™	
TOLERANCES CN: ANGLES = ± 1/2" X.XX [X.X] = ± .01 [0.25] X.XXX [X.XXX] = ± .005 [0.12]		SIGNATURES		DATE		TITLE	
MATERIAL		DRAWN BL		6/4/2001		MOTOR ASSEMBLY, S28-D4-400X	
SPEC		CHECKED		2/6/19		SIZE NUMBER	
FINISH		ENG APPR. FOR		2/6/19		D 500280223	
SPEC		MFG APPR. ST		2/6/19		REV 6	
NONE		Q.A.		UNLESS OTHERWISE SPECIFIED REMOVE ALL BURRS & SHARP EDGES, COUNTERSINK TAPPED HOLES TO BODY SIZE FILLETS: .03 MAX. / EXTERNAL CORNERS: .015 MAX.		SCALE: - WEIGHT: - LB. SHEET 1 OF 3	

Model	S28-D4-400X
Part Number	500280223
Nominal Voltage	24
Ke (V/Krpm)	5
Kt (oz-in/amp)	6.8
Resisitance (Ohms)	0.015
No Load Amps	4.4
RPM @ 24 Vdc	5000
Peak HP	4.3
Stall Torque (oz-in)	3600
Efficiency	85
Capacitors	Yes
Magnet Type	Neodymium
Weight (pounds)	6.8