

Camellia **VINTERHÄS**

Set of Product 13'Lx10'Wx7'H Optional Extension 6.5'L etc.

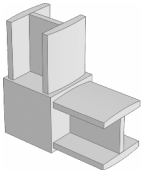
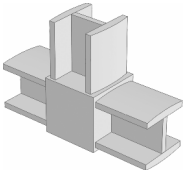
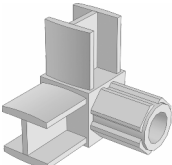
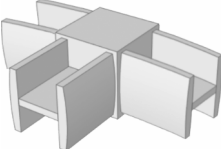
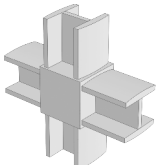



HIGH-STRENGTH GREENHOUSE ASSEMBLY INSTRUCTIONS



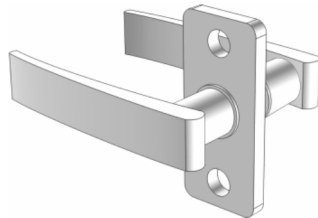
The length of the basic greenhouse can be increased to infinity with the help of extensions.

	Basic greenhouse	Greenhouse extension
length	2.02 m	2 m
height	2.1 m	2.1 m
covered soil area	6 m ²	6 m ²
required number of sheets of cellular polycarbonate (6x2.1m)	2	1

FRAME COMPLETE SET

2 m	+2 m		2 m	+2 m
8pcs	-	 <p>Door connector ①</p>	 <p>② T-shaped connector</p>	18pcs 4pcs
4pcs	-	 <p>Corner connector ③</p>	 <p>④ T-shaped radius connector</p>	6pcs -
3pcs	6pcs	 <p>Cross connector ⑤</p>	 <p>⑥ Self drilling bolt</p>	232pcs 62pcs
4pcs	-	 <p>Bolt ⑦</p>	 <p>⑧ Assembly joint plate</p>	8pcs -

2 m



4pcs

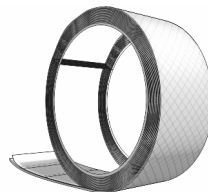
9 Double-sided handle

2pcs



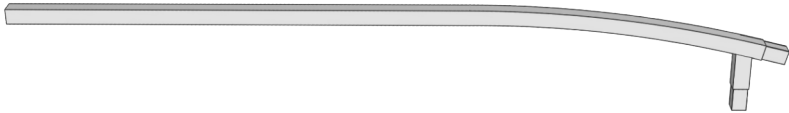

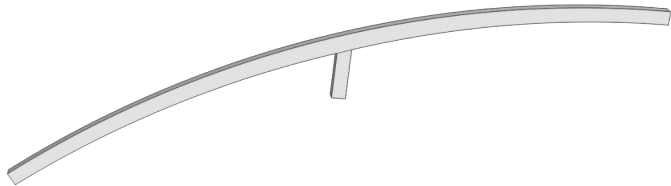

10 Eye latch hook

1pcs



11 Sealing tape

FRAME COMPLETE SET

		2 m
		4pcs
⑫	Radius end stand	
		4pcs
⑬	End arc	
		4pcs
⑭	Upper end arc	
		2pcs
⑮	Bottom end stand (920mm)	

2 m



8pcs

①⑥ Horizontal end bar Type-1 (930 mm)



4pcs

①⑦ Horizontal end bar Type-2 (995 mm)



2pcs

①⑧ Upper end stand

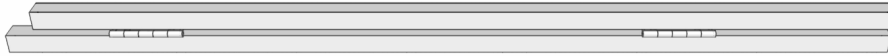


6pcs

①⑨ Horizontal door bar (875mm)

FRAME COMPLETE SET

2 m



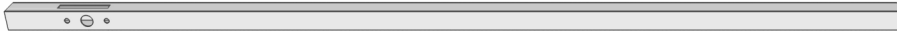
2pcs

②① Door rack with hinges Type-1



2pcs

②① Door rack with hinges Type-2



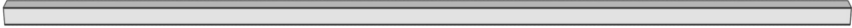
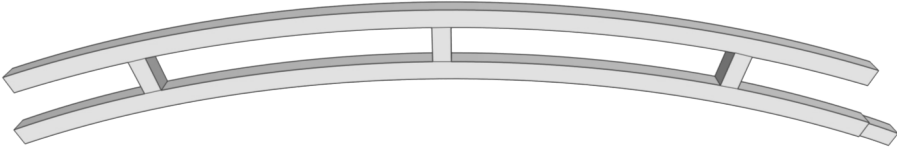
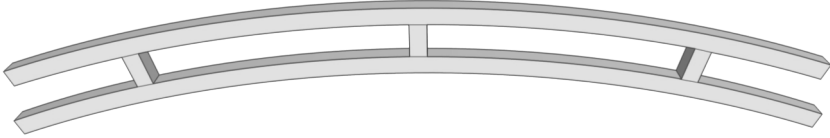
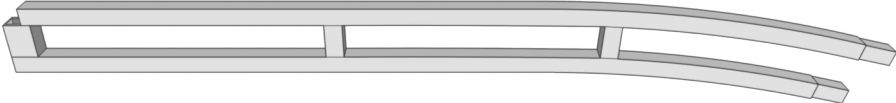
2pcs

②① Upper vertical door rack


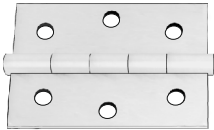







2pcs

②① Bottom vertical door rack

	2 m	+2 m
 <p>②④ Arc lintel 980 mm</p>	10pcs	10pcs
 <p>②⑤ Top of the arc Type-1</p>	3pcs	6pcs
 <p>②⑥ Top of the arc Type-2</p>	1pcs	2pcs
 <p>②⑦ Arc stand</p>	2pcs	4pcs

FRAME COMPLETE SET

2 m	+2 m			2 m	+2 m
170pcs	20pcs		Roofing screws 5.5x19 (28)		4pcs -
2pcs	-		Stop plate (30)		4pcs -

	2 m	+2 m
<p>32 Window</p> 	2pcs	-
<p>33 Horizontal windows bar</p> 	2pcs	-
<p>34 Pile</p> 	10pcs	4pcs

Tools needed to assemble a greenhouse

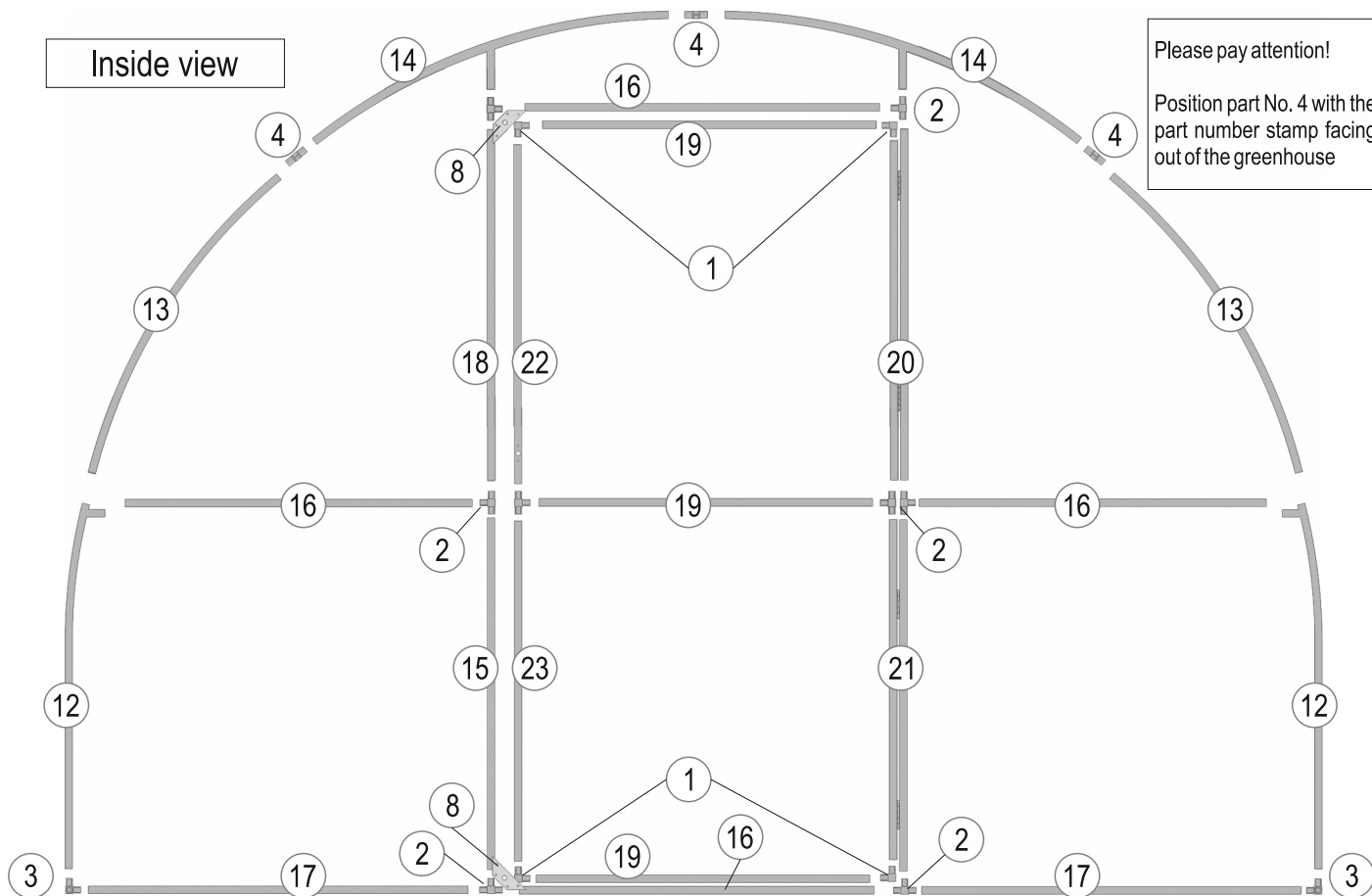
- screw driving machine
- cross bit for screw driving machine
- 8mm hex head for screw driving machine
- construction corner 90°
- level
- tape measure
- instrument for cutting cellular polycarbonate (assembly knife, file with a fine tooth, renovator, electric jigsaw, rotorazer, etc.)

The greenhouse must be installed on a leveled area. To ensure the long-term operation of the greenhouse, it is recommended to install it on a previously prepared base - a foundation. The base is created around the perimeter of the greenhouse, from any available materials based on its overall dimensions. The most suitable option for the base is a lightweight timber foundation, which is a 50x100mm wooden beam treated with an antiseptic to minimize the effects of moisture in the open ground. The timber must be fastened into a rectangular frame, identical in dimensions to the outer dimensions of the greenhouse. The frame is installed on the ground and leveled to prevent distortions during the installation of the greenhouse.

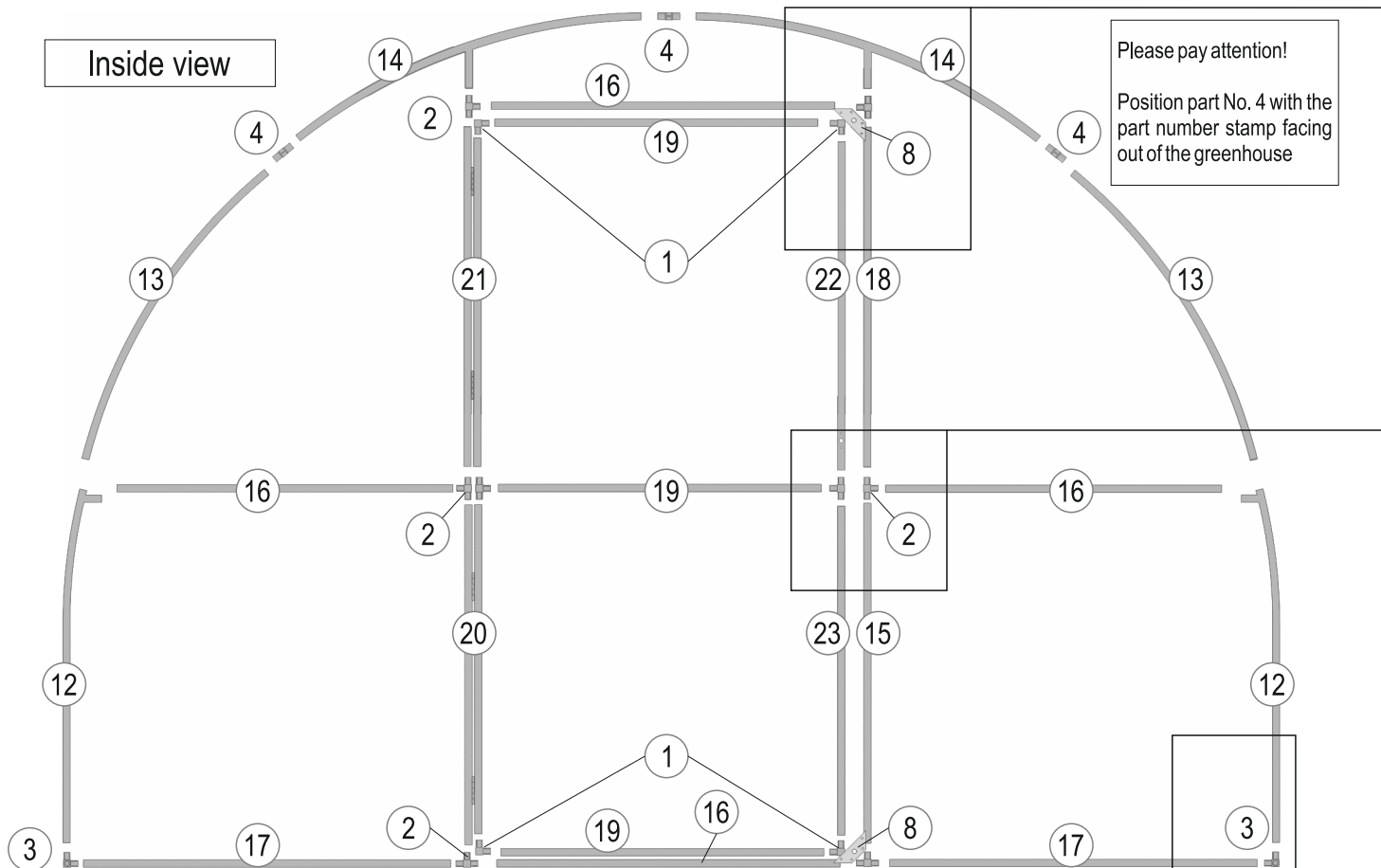
After installing the frame on the foundation, it must be attached to the timber using self-tapping screws through the base of the greenhouse. This is necessary to prevent it from overturning because of strong gusts of wind. Also, after that, the structure can be easily moved around the site. If the greenhouse is installed without a foundation, then under the base of the greenhouse it is necessary to put materials (boards, paving slabs, blocks, bricks, etc.) that do not allow the greenhouse to sink into the ground under its own weight. Also, the frame must be fixed to the ground to avoid tipping over. Installation of the greenhouse in frozen ground is prohibited.

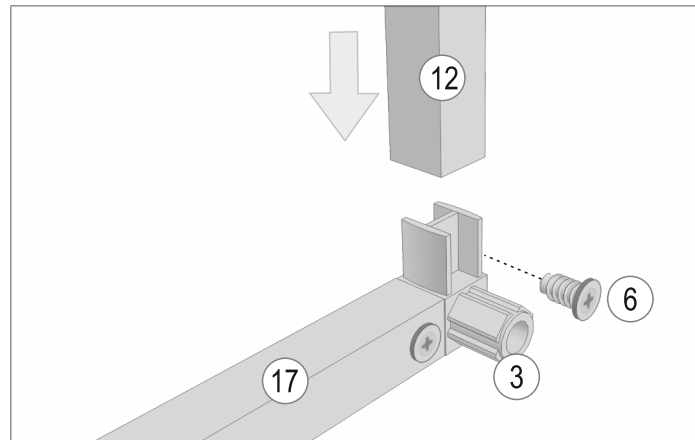
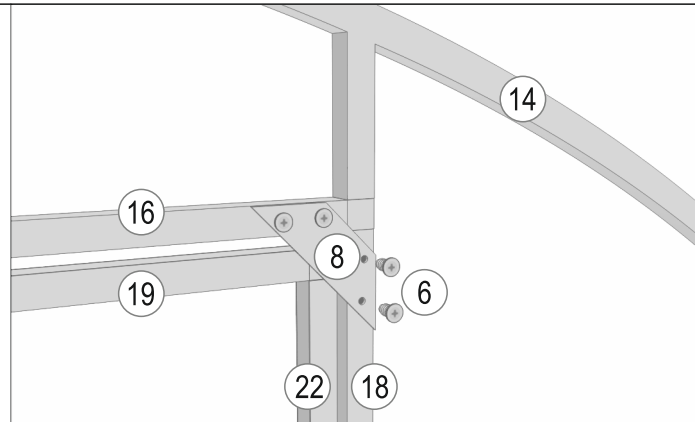
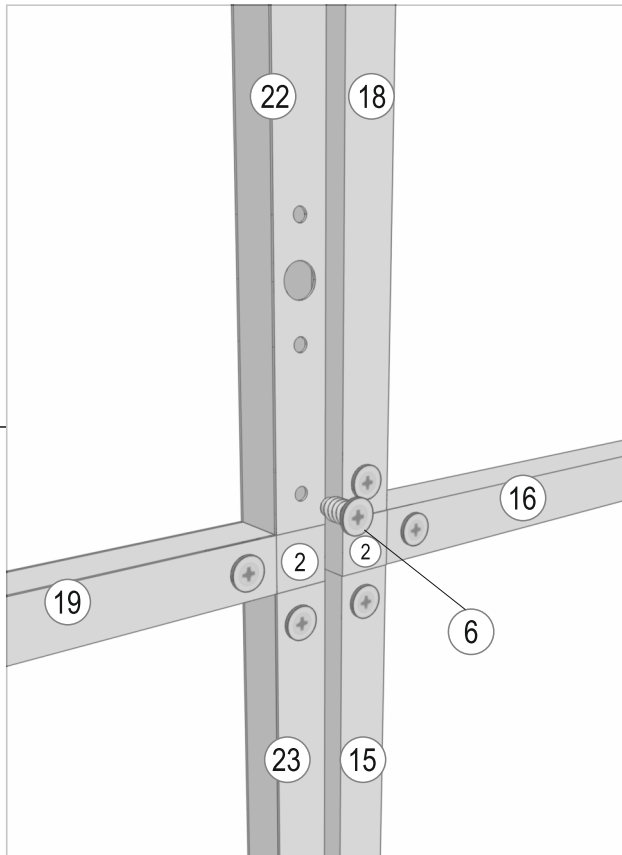
Inside view

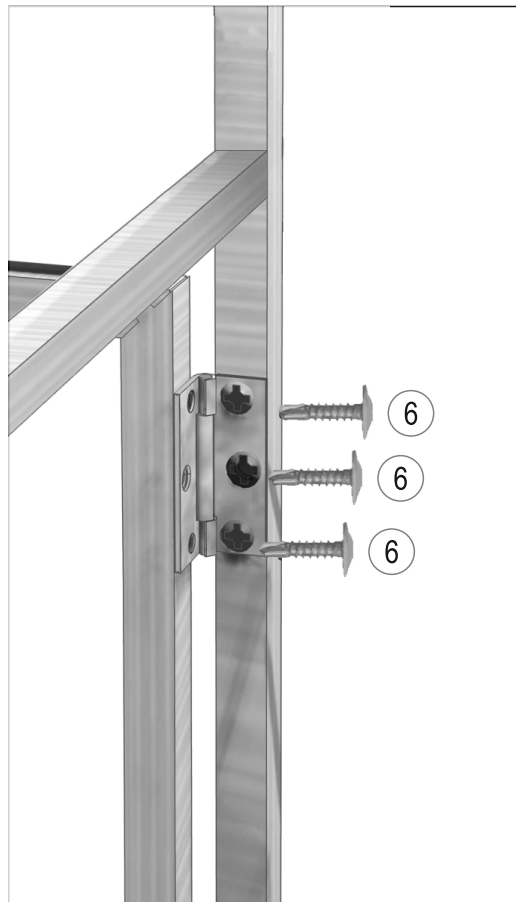
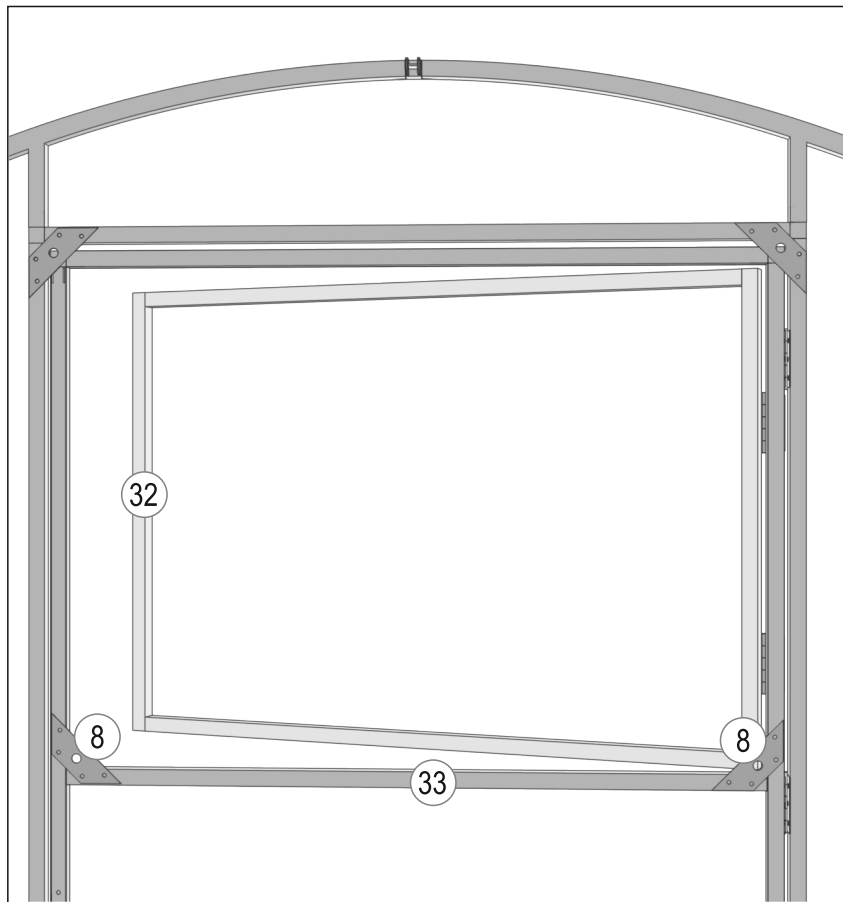
Please pay attention!
Position part No. 4 with the part number stamp facing out of the greenhouse

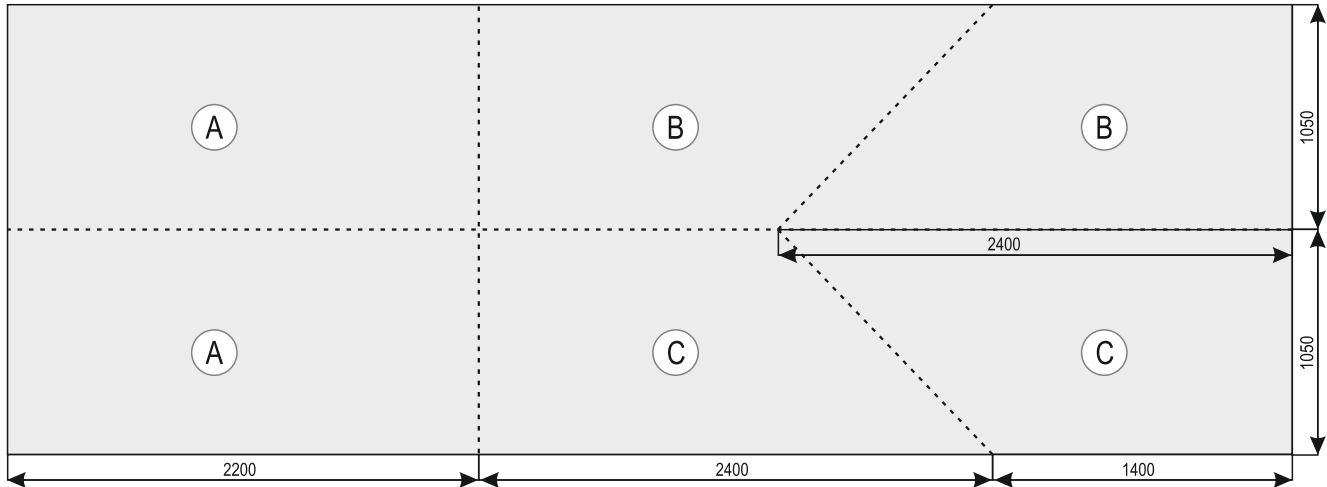


END ASSEMBLY (RIGHT DOOR)









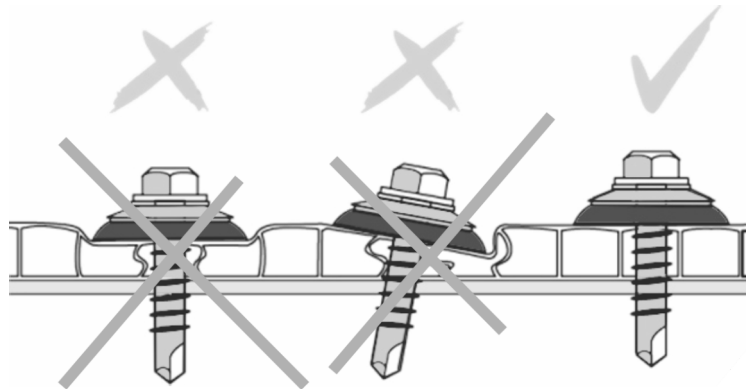
The layer with a light stabilizer that protects the sheet structure from UV rays has a side with a colored protective film or information strip. This side of the cellular polycarbonate is the outside and should be facing the sun.

Do not forget to remove the protective film from cellular polycarbonate (CPC)

Align the sheet along the bottom edge of the end and the edge of the end post closest to the door. In the case of installing the greenhouse on the foundation, you can lower the sheet by 5 cm to overlap the cellular polycarbonate on the foundation.

Self drilling bolts (6) and roofing screws 5.5x25 (28) are used for fastening the cellular polycarbonate.

Do not overtighten
the screws

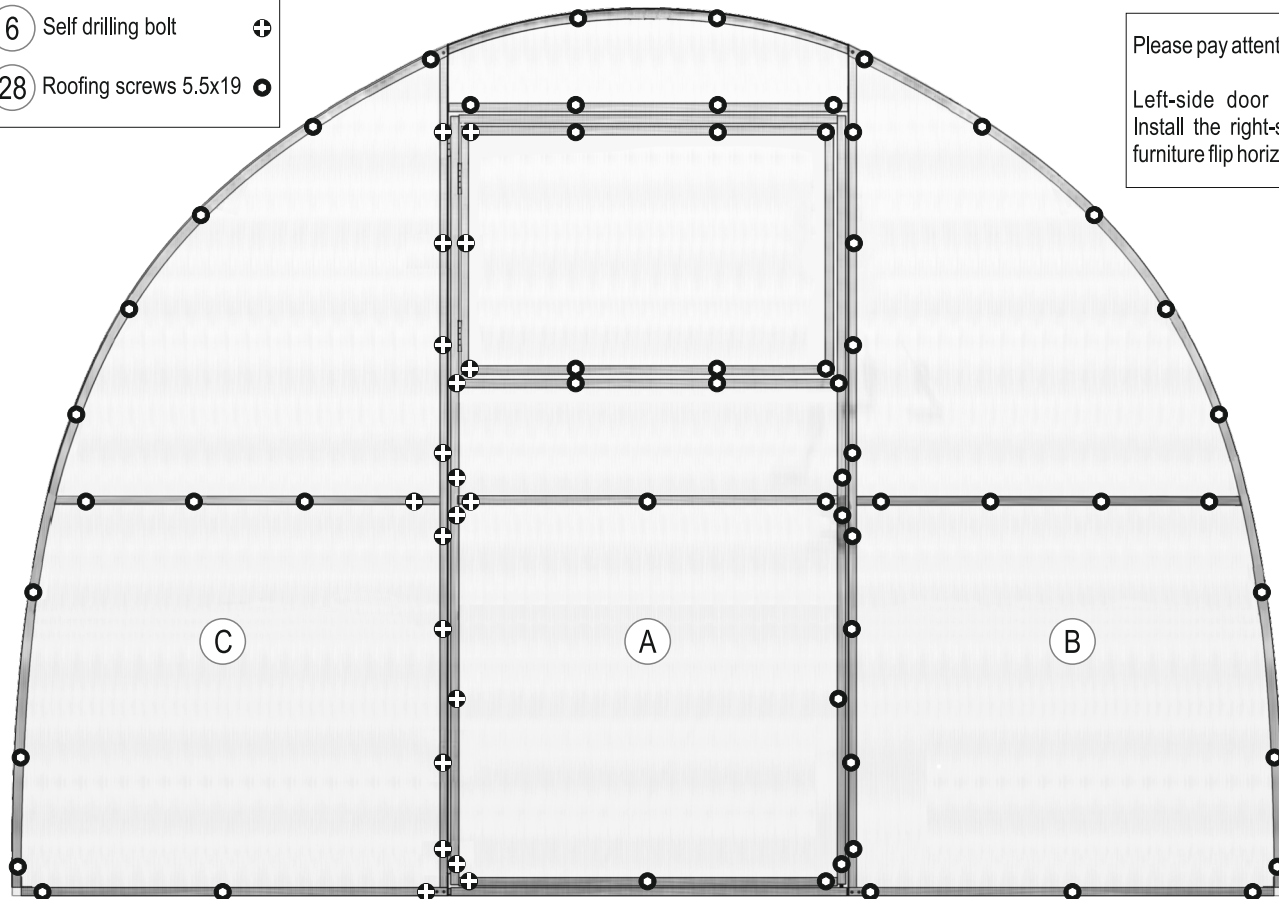


INSTALLATION OF CELLULAR POLYCARBONATE ON THE ENDS

- 6 Self drilling bolt ⊕
- 28 Roofing screws 5.5x19 ●

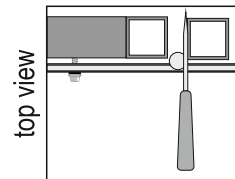
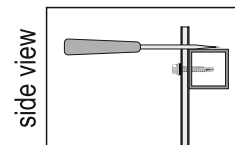
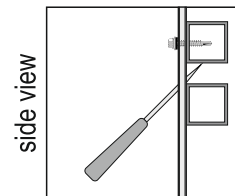
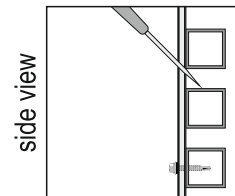
Please pay attention!

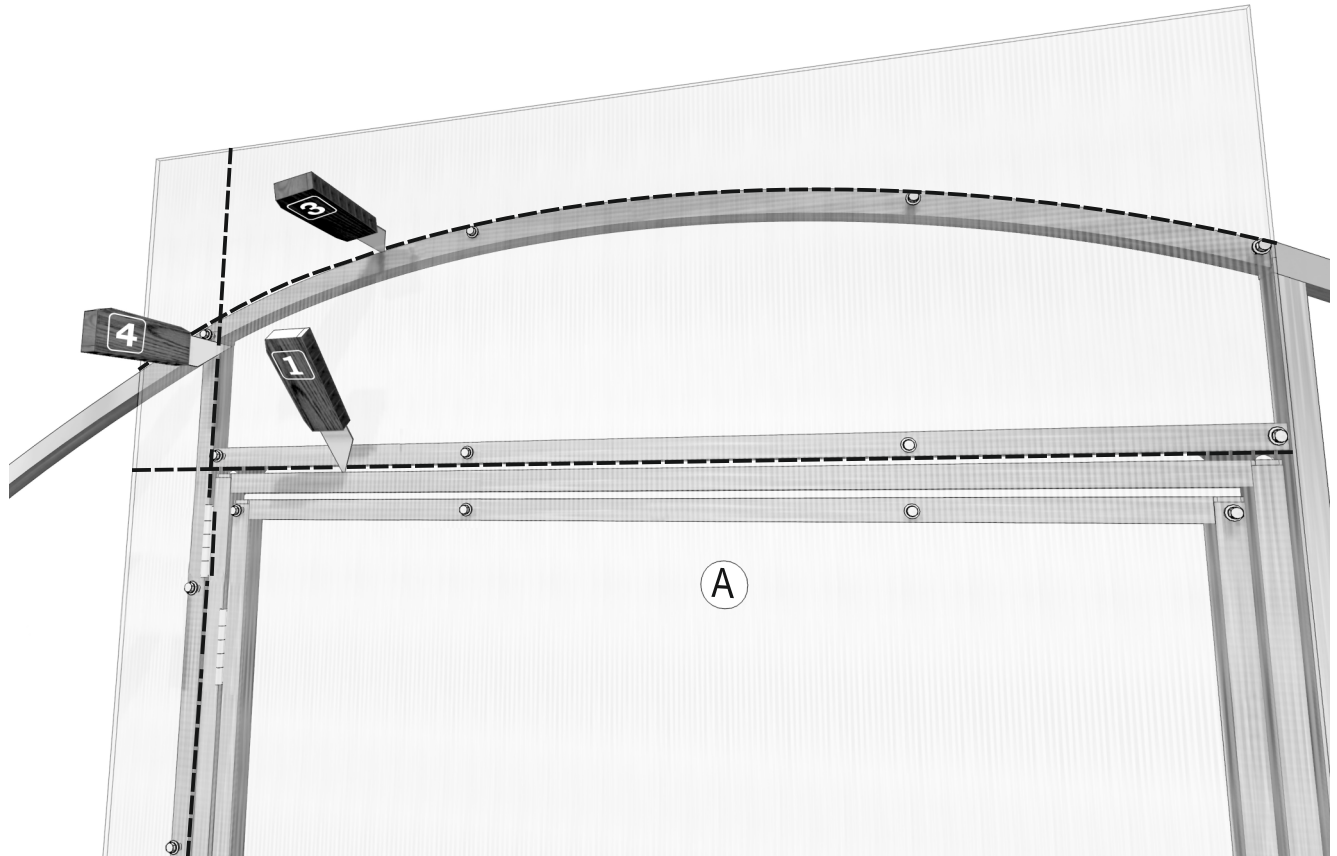
Left-side door scheme.
Install the right-side door
furniture flip horizontally



It is necessary to cut the CPC in the following order

- 1** Cut the CPC horizontally above the door at an angle of 45° from top to bottom
- 2** Cut the CPC horizontally under the window at an angle of 45° from bottom to top (if there is a window)
- 3** Cut horizontally the excess CPC extending beyond the upper edge of the end, at an angle of 90°
- 4** Vertically along the edge of the end stand closest to the door (on which the door hinges are fixed) from the top edge to the very bottom at an angle of 90° , gently bending around the hinges

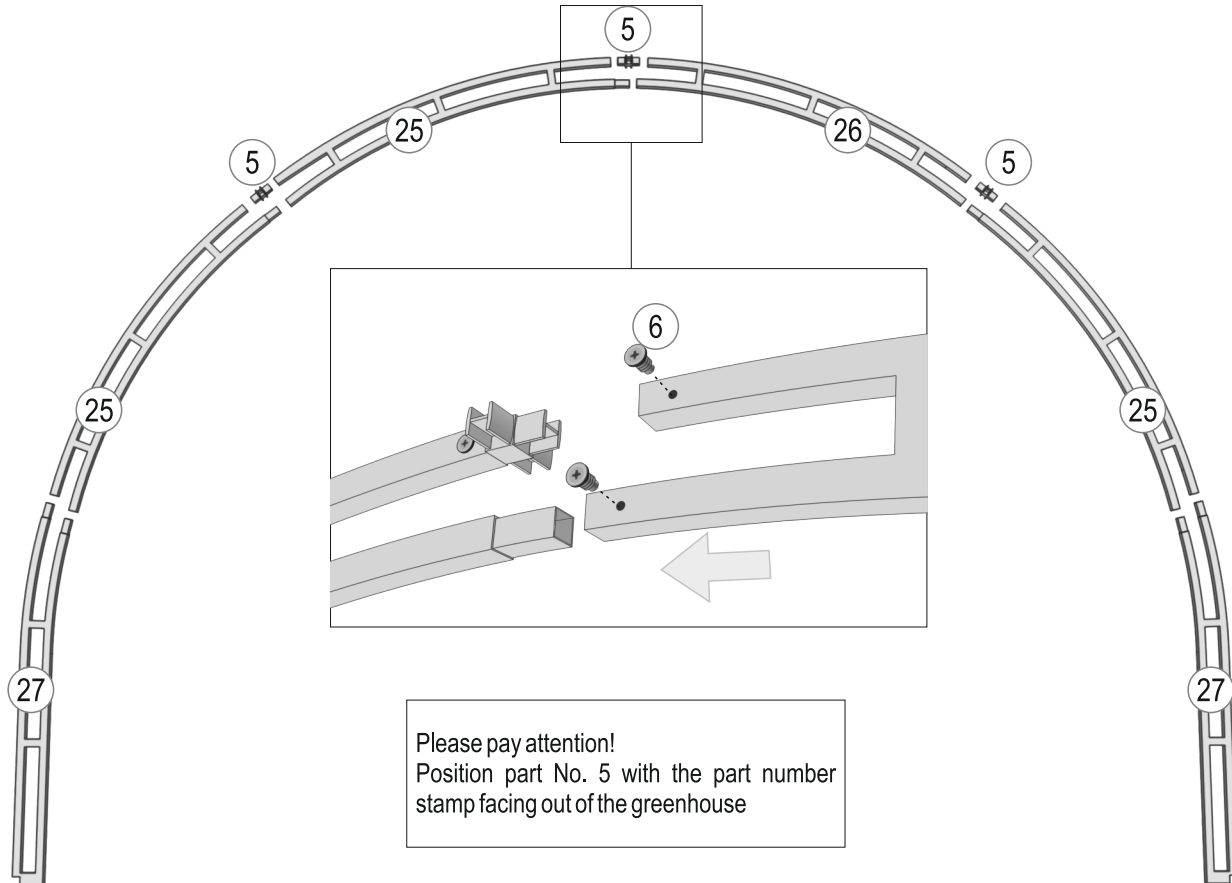






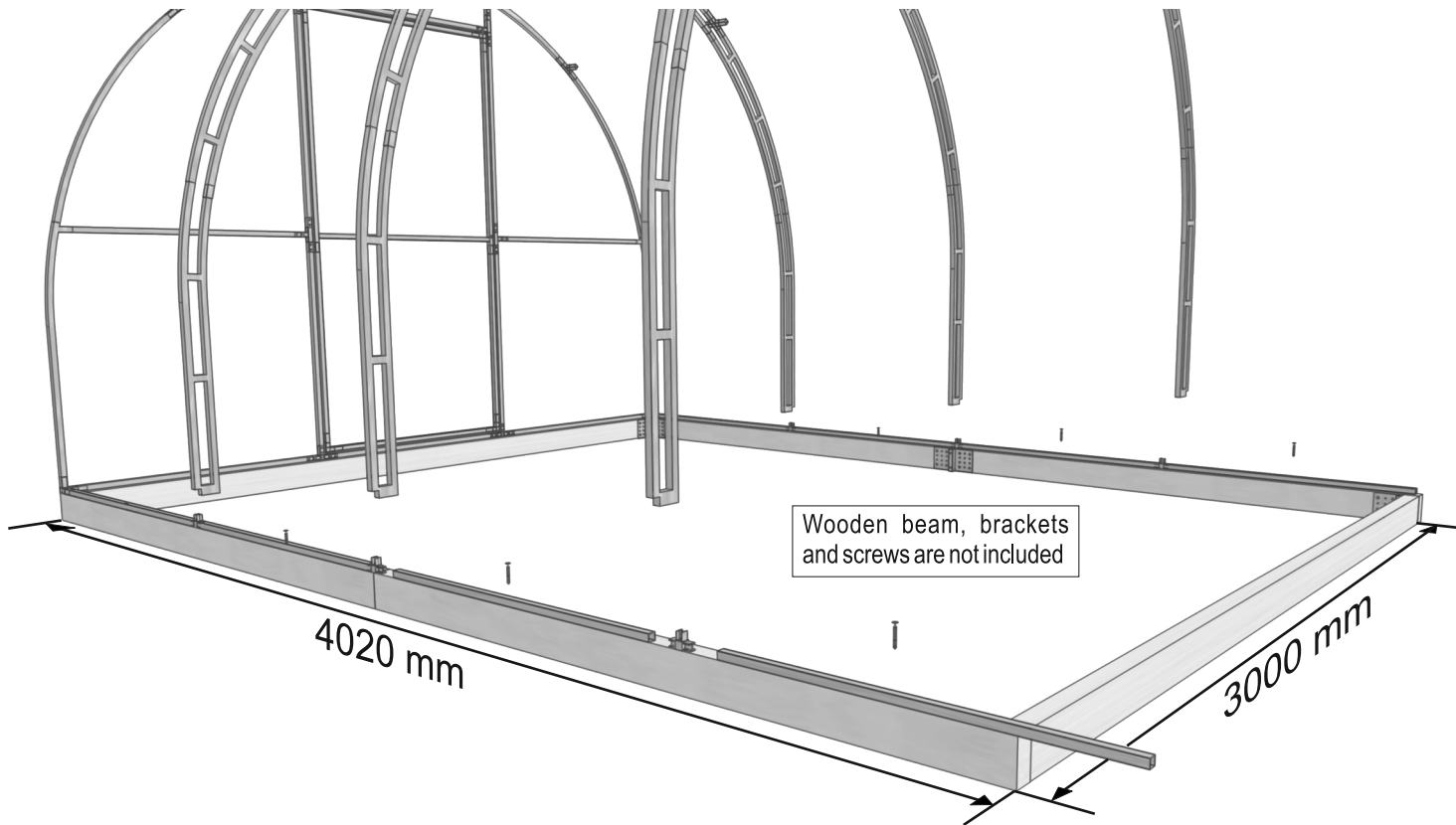


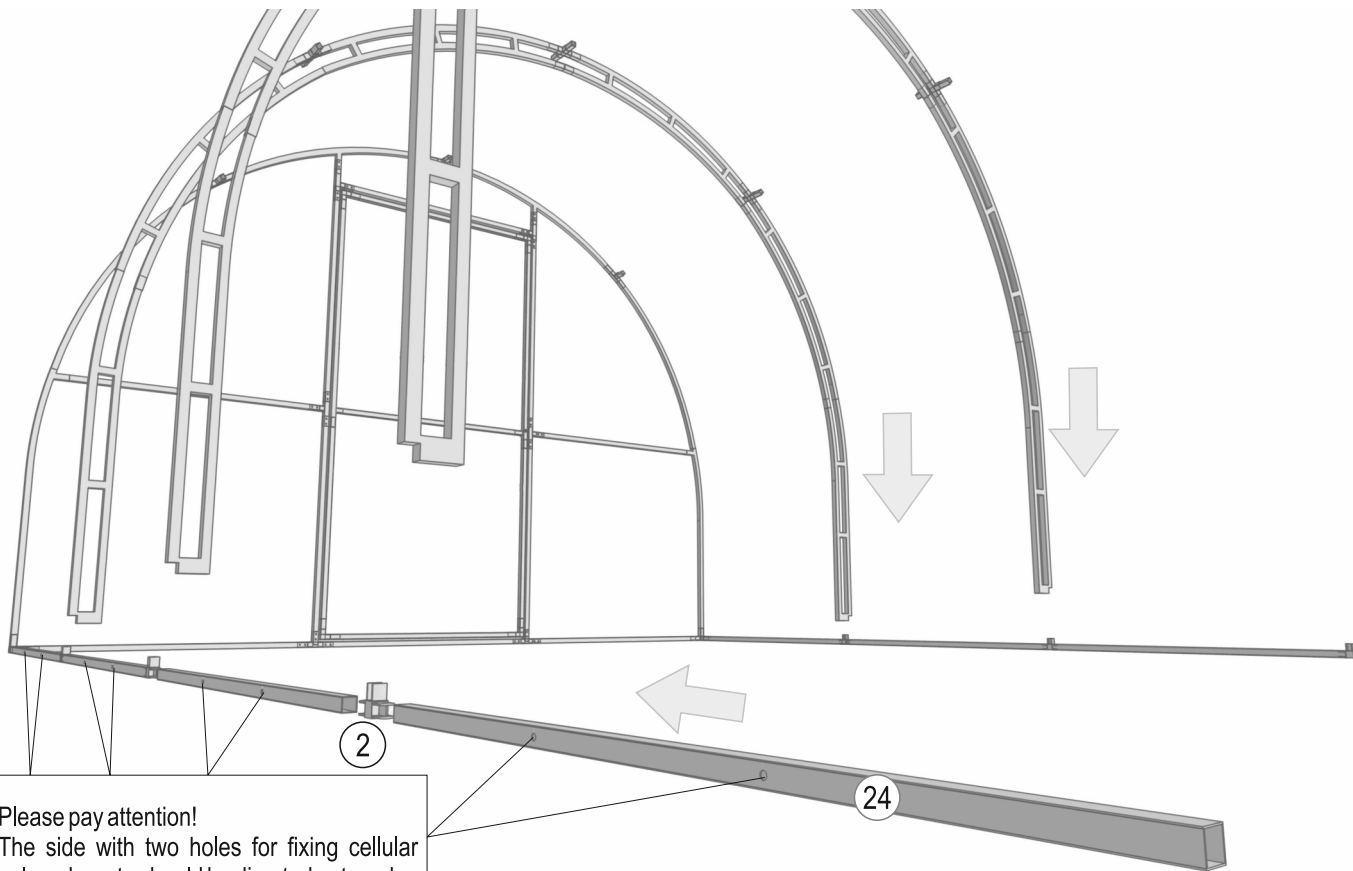




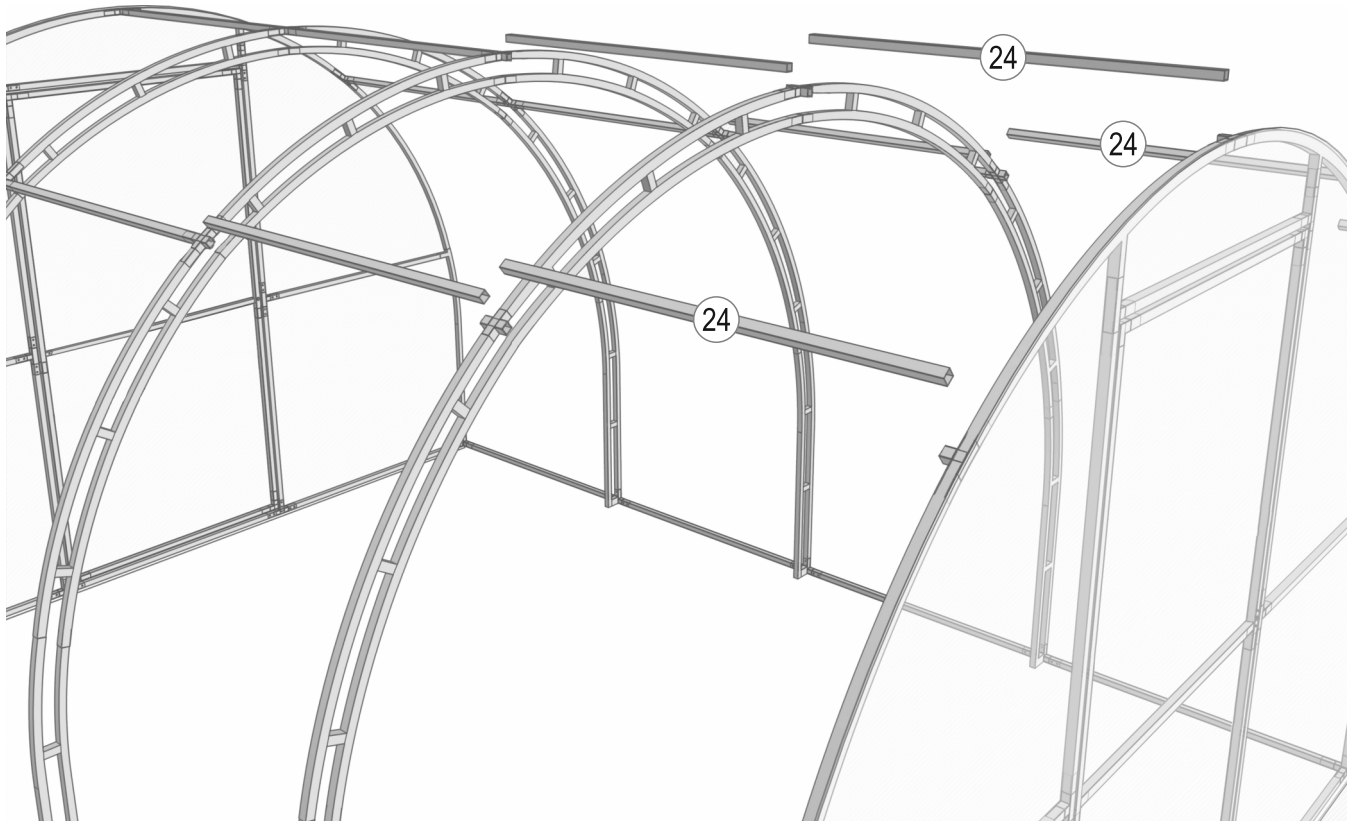
Please pay attention!
Position part No. 5 with the part number
stamp facing out of the greenhouse

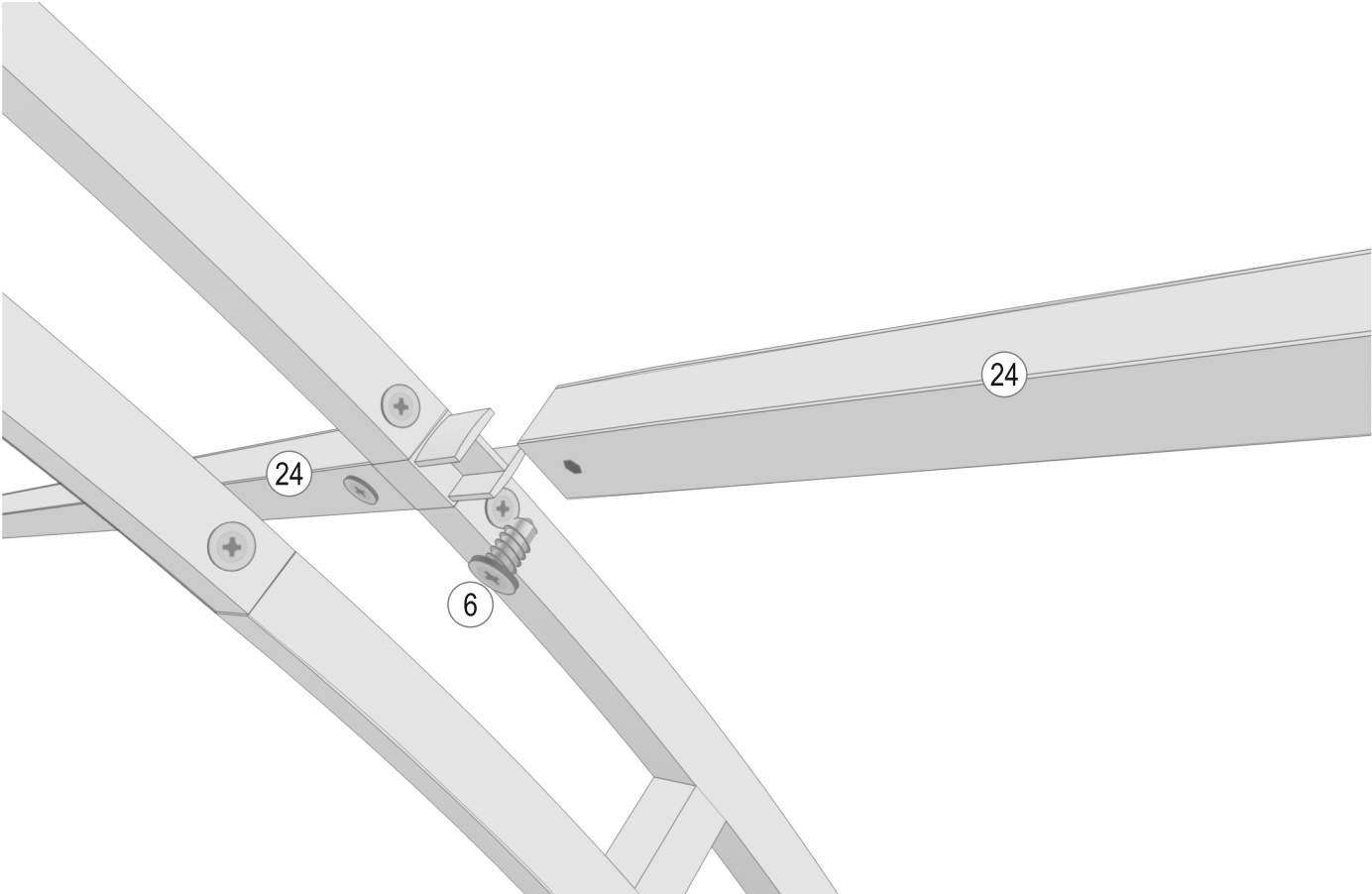
INSTALLATION ON A WOODEN BEAM (NOT INCLUDED)

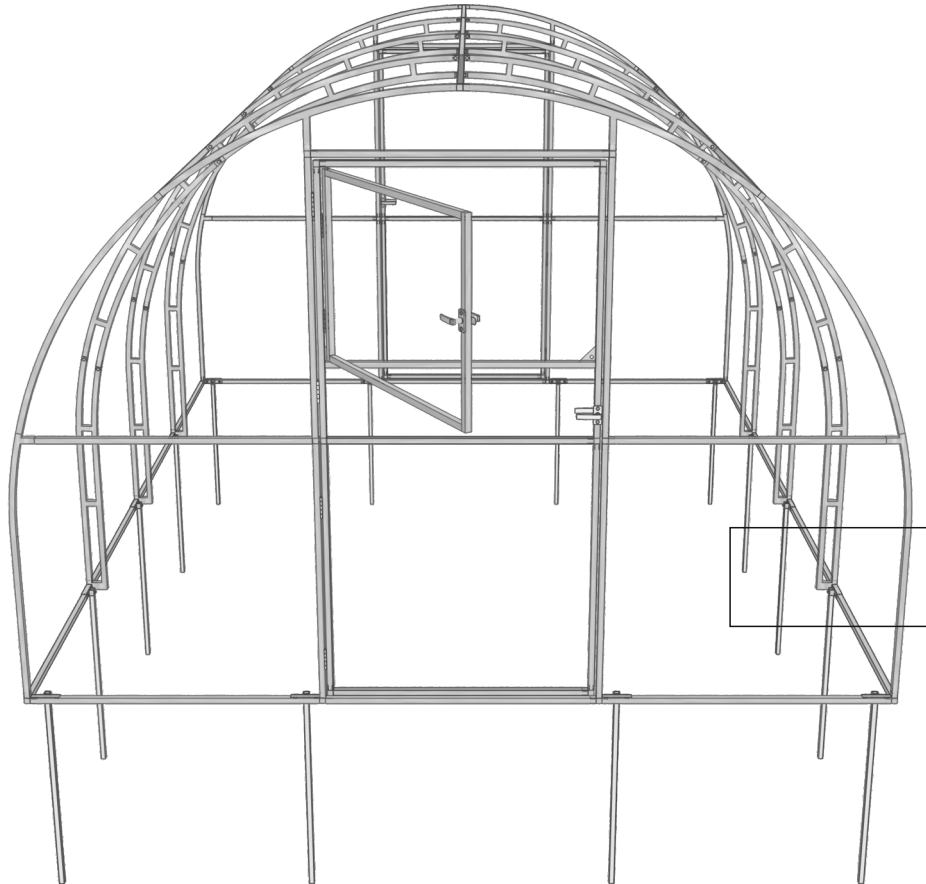


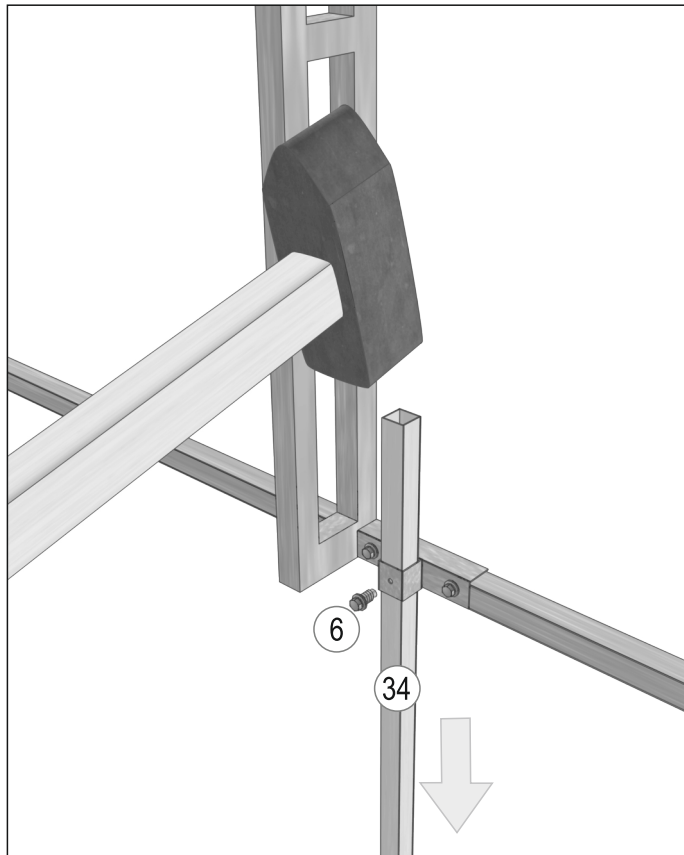
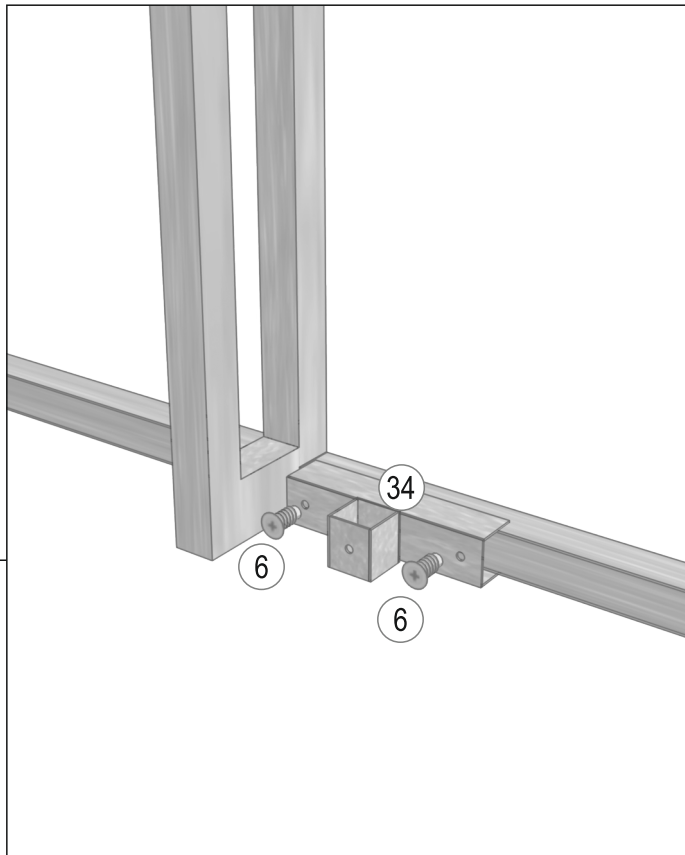


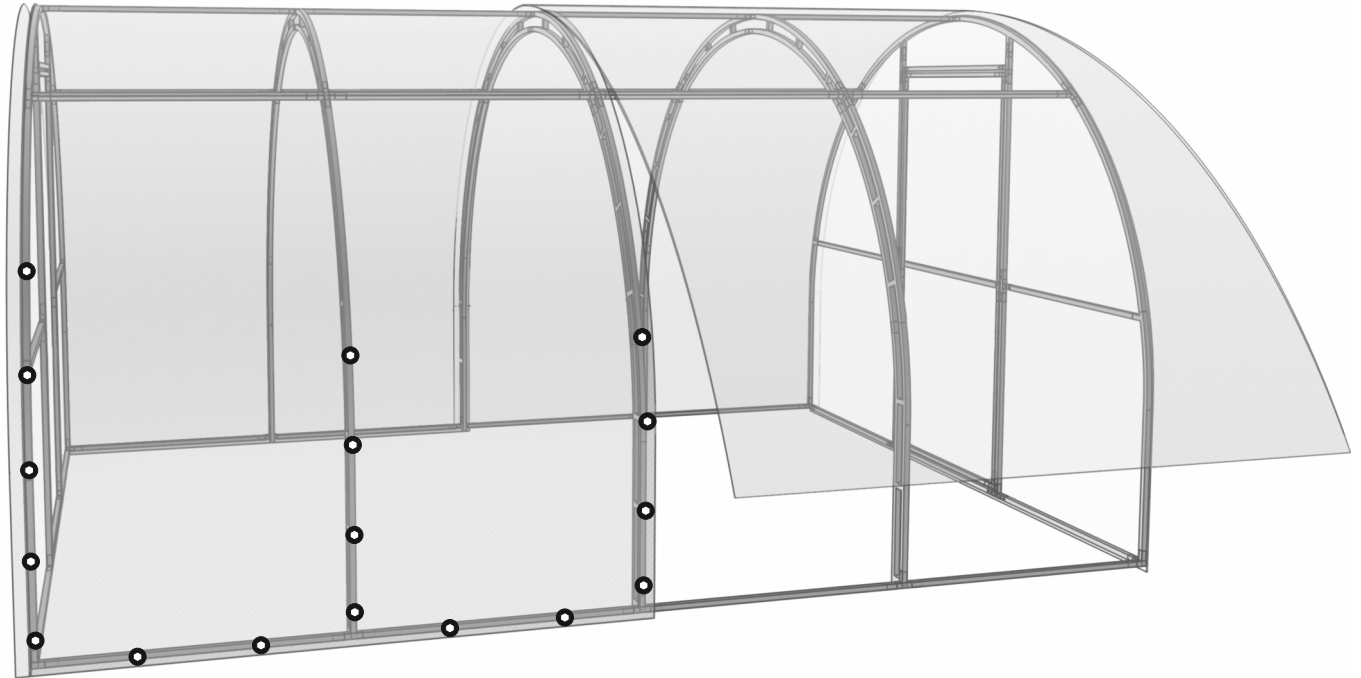
Please pay attention!
The side with two holes for fixing cellular polycarbonate should be directed outward.

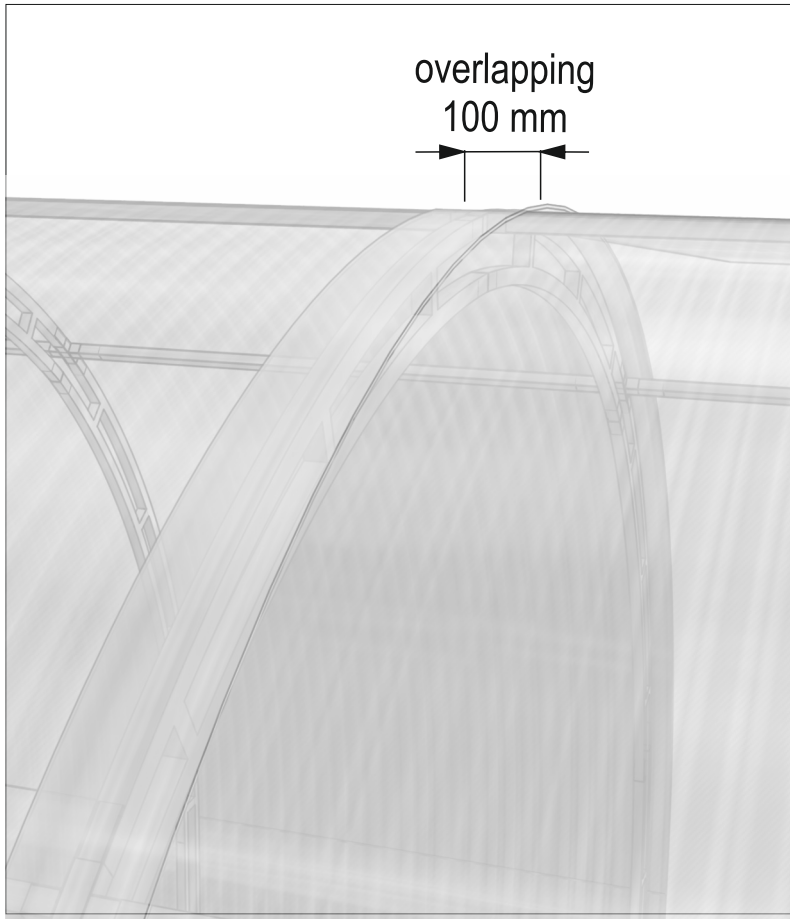


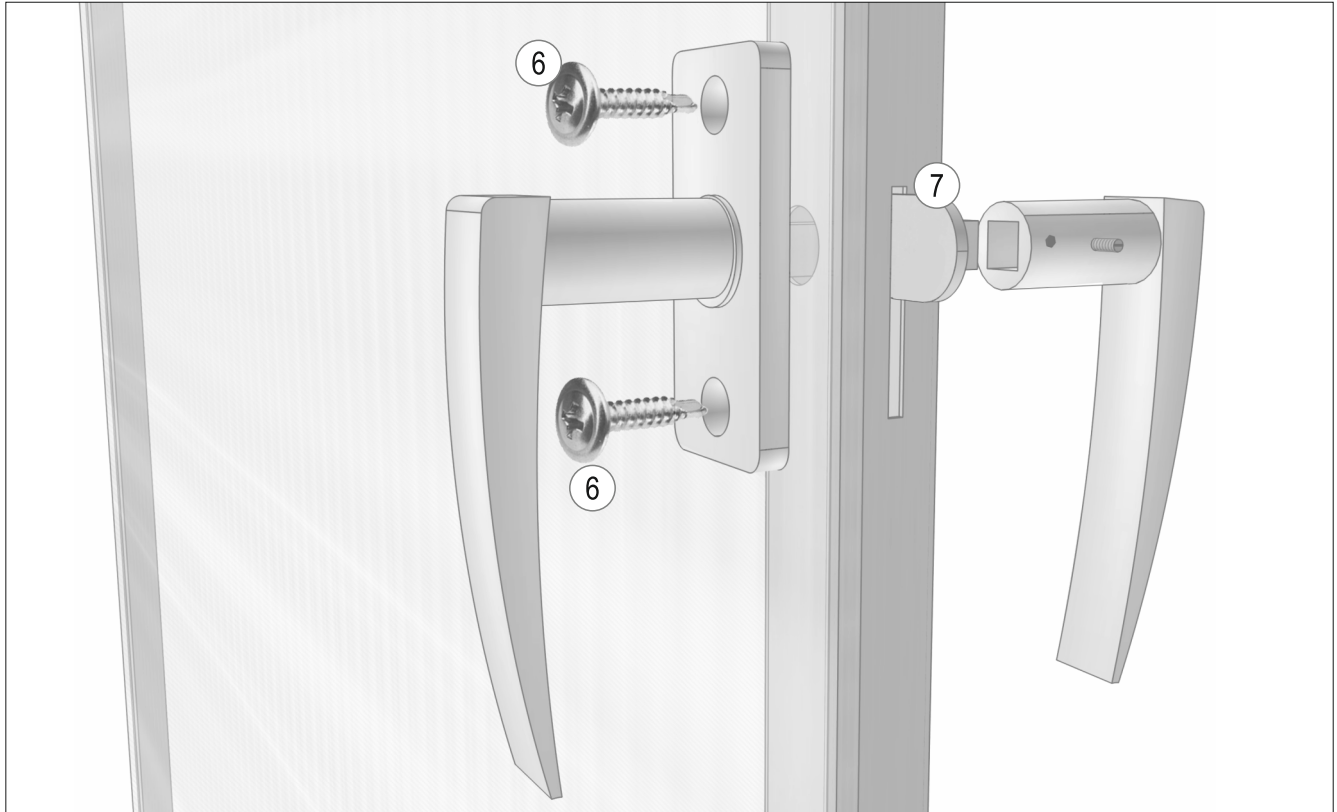


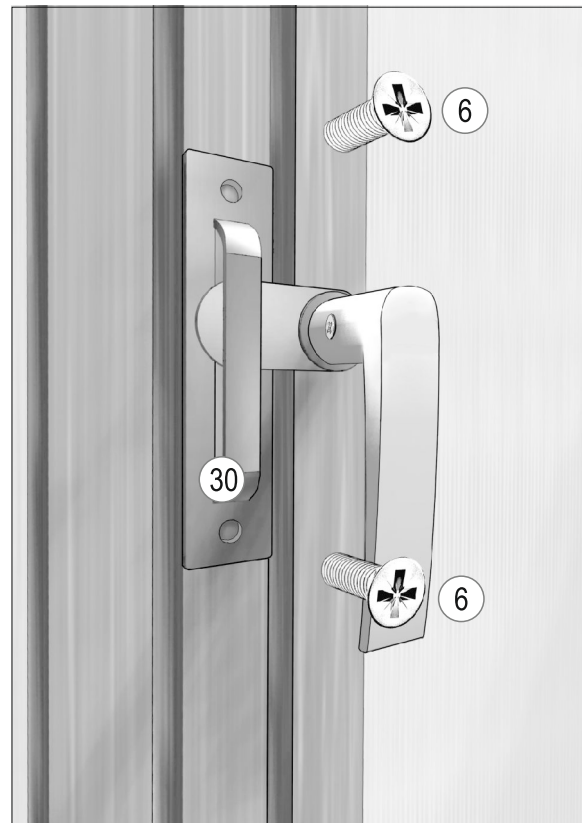


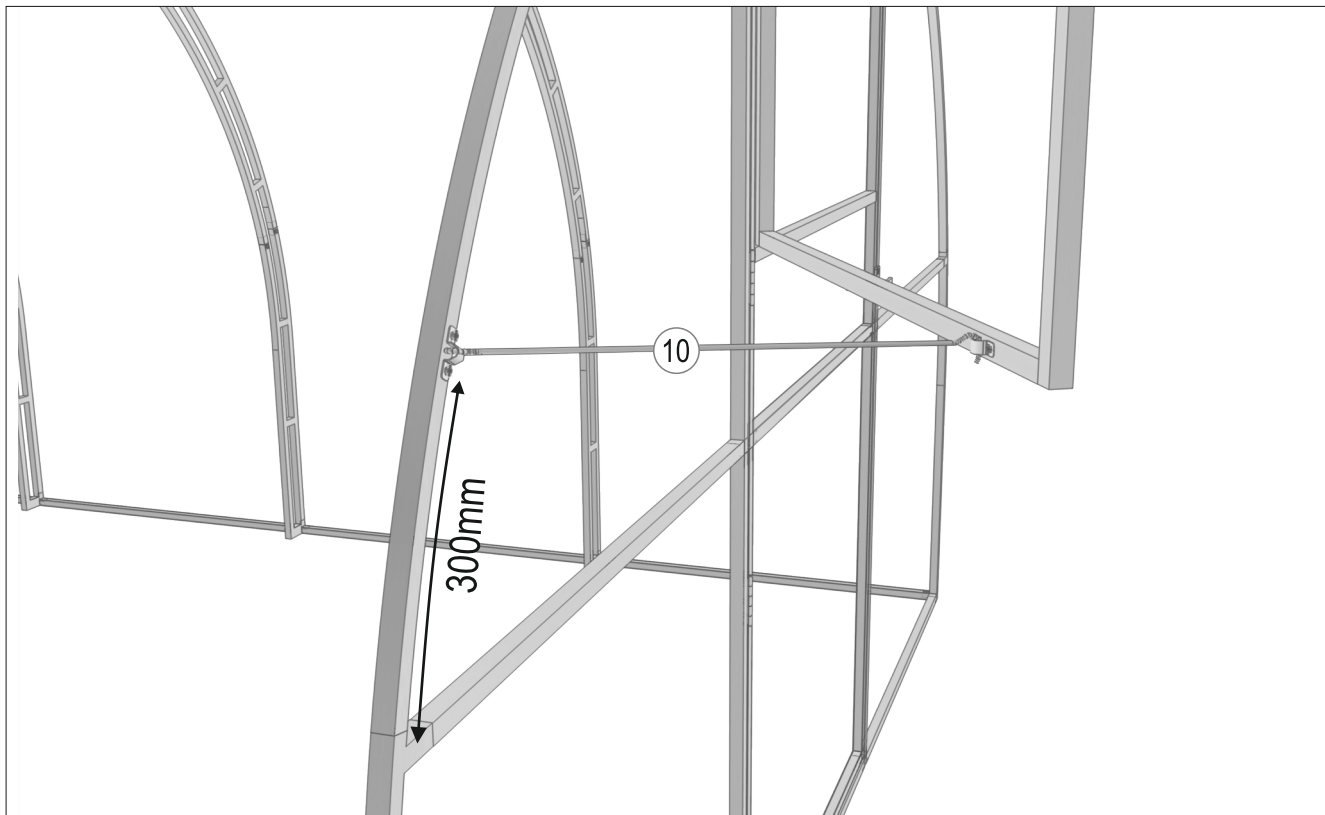












Specifications	1
Frame complete set	2
Preparation for greenhouse installation	10
End assembly	13
Window installation	16
Cutting of cellular polycarbonate into ends	17
Installation of cellular polycarbonate on the ends	18
Assembly of arcs	25
Installation on a wooden beam (not included)	26
Base assembly	27
Lintel installation	28
Pile installation	30
Installation of cellular polycarbonate on the frame.....	32
Installation of locking devices	34



Velcom.Inc

www.GreenhouseToGrow.com

Distributed by VELCOM, INC
434 Stevenson pl.
Vernon Hills, IL 60061, US
Contact Velcom, inc at
1-847-507-8448, 1-224-254-9339
or by email at
info@greenhousetogrow.com