



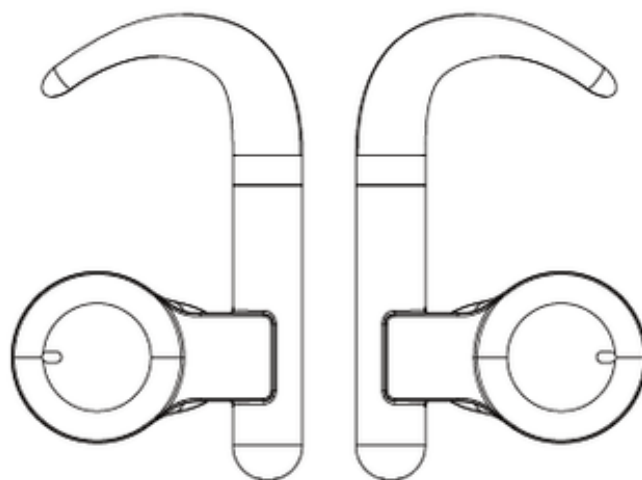
# **Kaibo Buds Wave 1 User Manual (English)**

**Thank you for purchasing a pair of Kaibo Buds!**

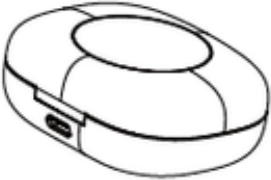


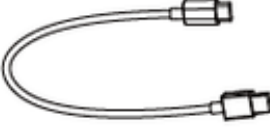
To give us feedback, find out more about upcoming product releases, and join our growing community, please connect with us on social media!



# What's in the box



1 pair earbuds

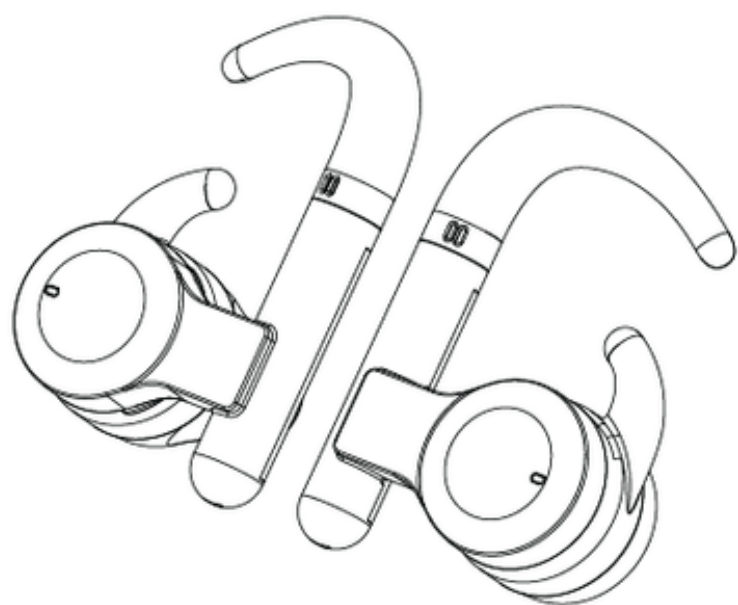
|  |  |   |  |
|--|--|---|--|
|  <p>1 charging case</p> |  <p>3 pairs removable ear hooks (I, II, III)<br/>1 pair ear hook caps</p> |  <p>1 pair removable ear fins</p> |  <p>1 piece USB Type-C charging cable</p> |
|--|--|---|--|

Note: The pictures in this manual are all schematic diagrams, which may deviate from the actual product; please refer to the actual product.

# Quick Start Guide

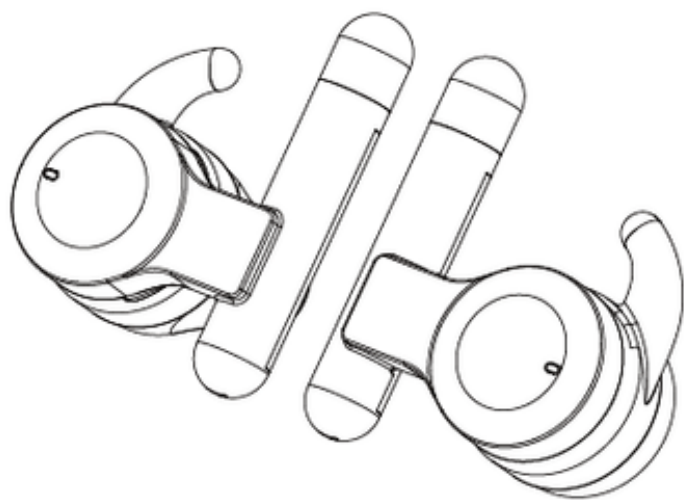
## 1 FIT

Use the custom fit accessories to find your best fit. The buds come with the medium size ear hooks attached. Ear hooks and ear hook covers easily snap on and off.



With ear hooks  
and ear fins

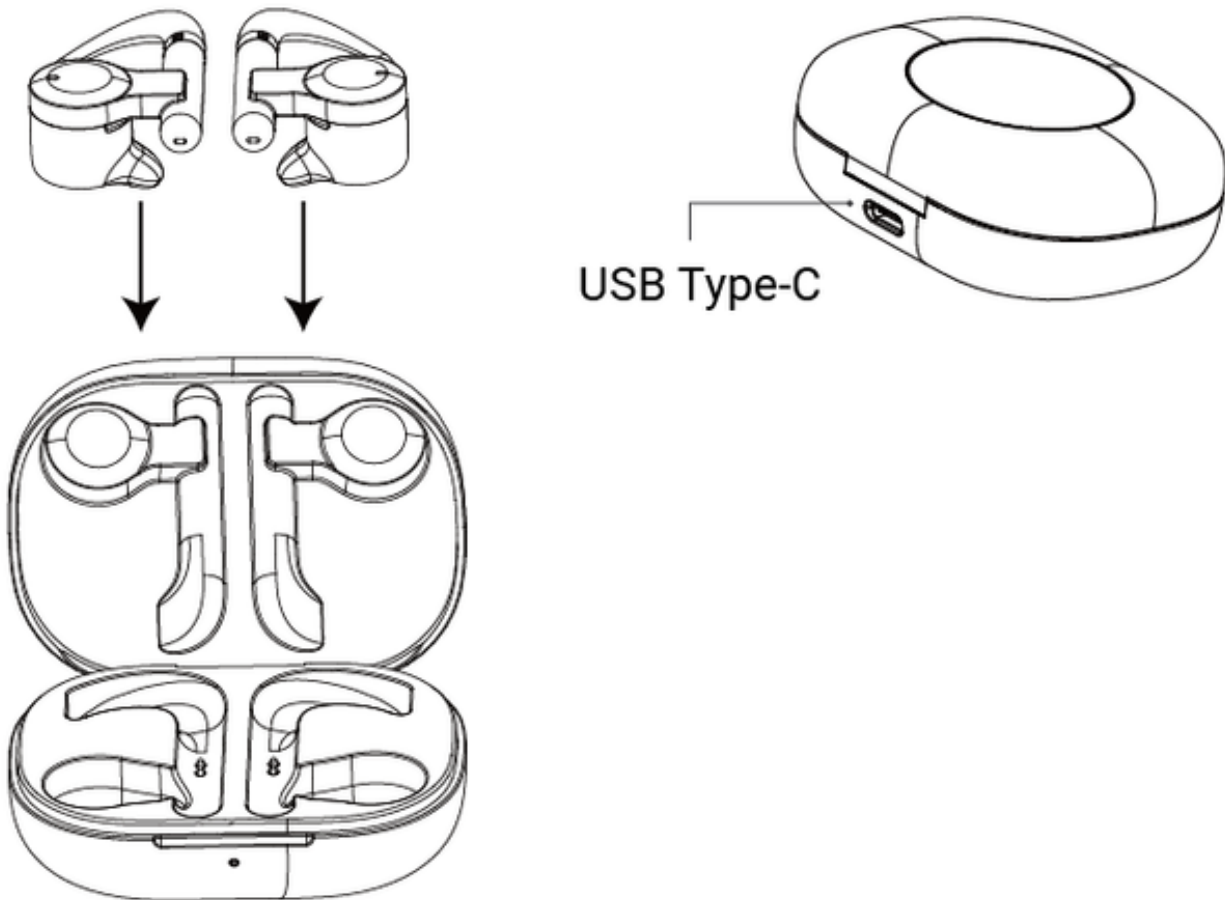
With ear hook  
caps and ear fins



## 2 CHARGE

Place the buds back in the case and fully charge before your first use. Charging is complete when the LED light stops blinking red.

A fully charged charging case can provide up to 4 full charges.

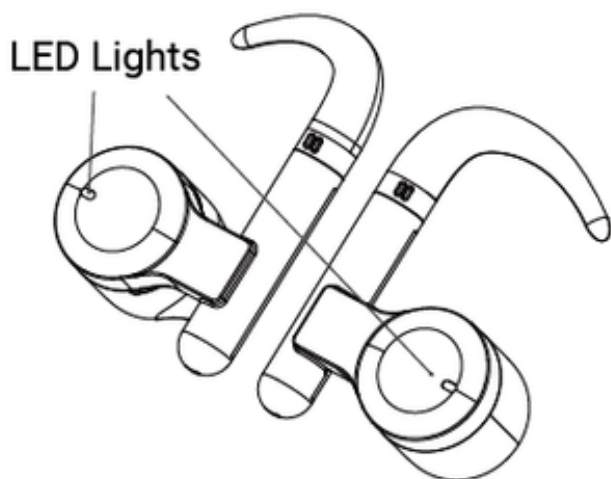


Note: for more detailed instructions on how to set up your Kaibo Buds, please visit [www.kaiboaudio.com/usermanual](http://www.kaiboaudio.com/usermanual).

### **3 PAIR**

To pair with a Bluetooth device, open the case and leave the buds in the case. On your device, the buds will appear as Kaibo Buds Wave 1 – select this in your device's Bluetooth settings.

The LED lights on the buds will go from blinking red and green to alternating green when paired successfully.



### **4 CONNECT**

Use one or both buds to listen and stay connected as you move through your day!

## **Product Care & Use**

The headphones are sweat and water resistant but are NOT waterproof. DO NOT submerge the headphones in water.

Do not charge your headphones immediately after exercising, as any sweat or moisture inside the charging port could lead to a circuit burning.

Keep the headphones away from strong magnets and magnetic fields, as this could adversely affect the bone conduction transducers.

After storing the headphones for an extended period without use, fully charge the headphones before using them again.

Store headphones and charging case in a cool and dry place.

Keep the charging port inside the case dry to reduce the risk of damage.

# LED Indicator Guide

## Charging Level

|                |              |               |
|----------------|--------------|---------------|
| <b>Case</b>    | Blinking Red | Charging      |
|                | None         | Fully charged |
| <b>Earbuds</b> | Red          | Charging      |
|                | None         | Fully charged |

## Battery Level

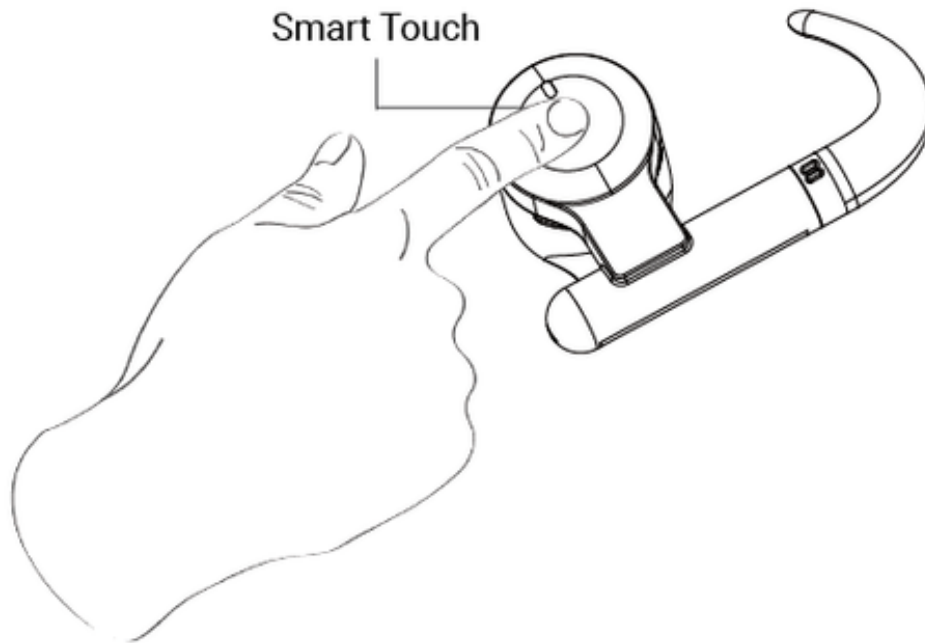
|                      |                    |
|----------------------|--------------------|
| Green for 10 seconds | High battery level |
| Blinking Red         | Low battery level  |

## Bluetooth Pairing

|  |                    |
|--|--------------------|
| Blinking Red and Green                             | Ready to pair      |
| Alternating Green<br>(between left and right buds) | Pairing successful |

# Smart Touch Guide

| Function                                 | Operation                              |
|--|--|
| Play/Pause Music<br>Answer/End Call      | Single TAP on left or right bud        |
| Decline Incoming Call                    | PRESS left or right bud for 1 second   |
| Volume Down                              | Double TAP left bud                    |
| Volume Up                                | Double TAP right bud                   |
| Play Previous                            | Triple TAP left bud                    |
| Play Next                                | Triple TAP right bud                   |
| Turn On/Off                              | PRESS left OR right bud for 5 seconds  |
| Remove Existing<br>Bluetooth Connections | PRESS left OR right bud for 10 seconds |



Note: A TAP is a short and quick touch, whereas a PRESS is a longer touch and hold.



# Voice Notifications

Power on

Power off

Battery low

Connected - connected to Bluetooth device

Disconnected - disconnected from Bluetooth device



WARNING

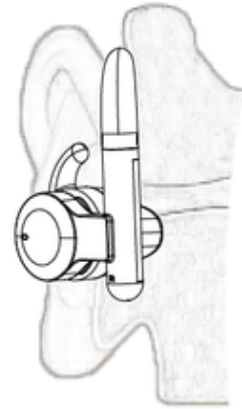
While bone conduction headphones are safer than traditional headphones, they are primarily an audio device and make no claim to prevent harm or danger. To prevent possible hearing damage or loss, do not listen at high volume levels for long periods of time, and comply with your local laws and regulations around driving with headphones.

# Technical Specifications

## Earbuds

|                          |   |
|--------------------------|---|
| Model Number             | KB-0110   |
| Speaker Driver           | Bone Conduction Transducer  |
| Bluetooth Version        | 5.0 Channel Stereo<br>Supports Bluetooth dual modes<br>Single and binaural bilateral stereo |
| Wireless Range           | 10 meters   33 feet   |
| Frequency Response       | 20Hz~20KHz  |
| Battery                  | 70mAH   |
| Time to Full Charge      | About 60 mins   |
| Waterproof Level         | IP55  |
| Weight                   | 16 g  |
| Microphone Sensitivity   | -40dB ± 2dB   |
| Continuous Play Duration | Music Play ~4 hours / Calls ~3.5 hours<br>Standby ~5 days                                   |
| Compatible Profiles      | HFP 1.7, HSP 1.2, A2DP 1.3,<br>AVRCP 1.6, SPP 1.2, PBAP 1.0                                 |
| Materials (Exterior)     | Bud (sound chamber) - PC/ABS<br>Ear hooks and fins - Silicone                               |

# HOW TO WEAR YOUR EARBUDS



1. Reach across with your right hand to grab the R earbud; reach across with your left hand to grab the L earbud.

2. Gently place the earbud at the opening of your ear canal, with the hook over the top of your ear.



3. If using ear fins, rotate the ear fin forward and back until you find a secure fit.



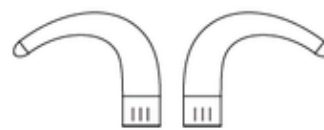
4. You may need a different size ear hook or none at all. Play around with the 3 sizes provided (I, II, III), the ear hook caps and the ear fins to find your best fit!



(Ear cap)



(Type I)



(Type III)