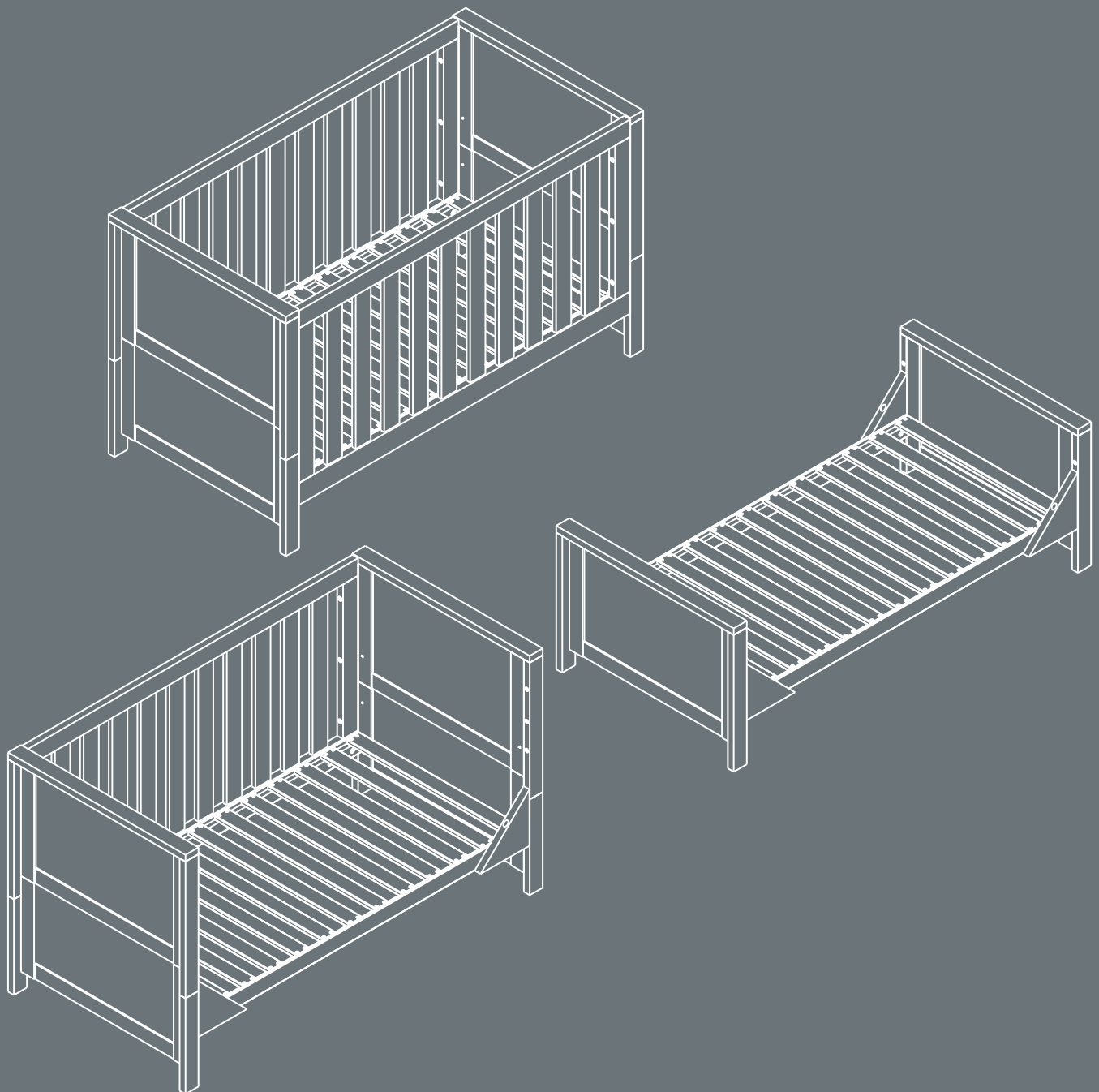


Tivoli Cot Bed



Assembly Instructions

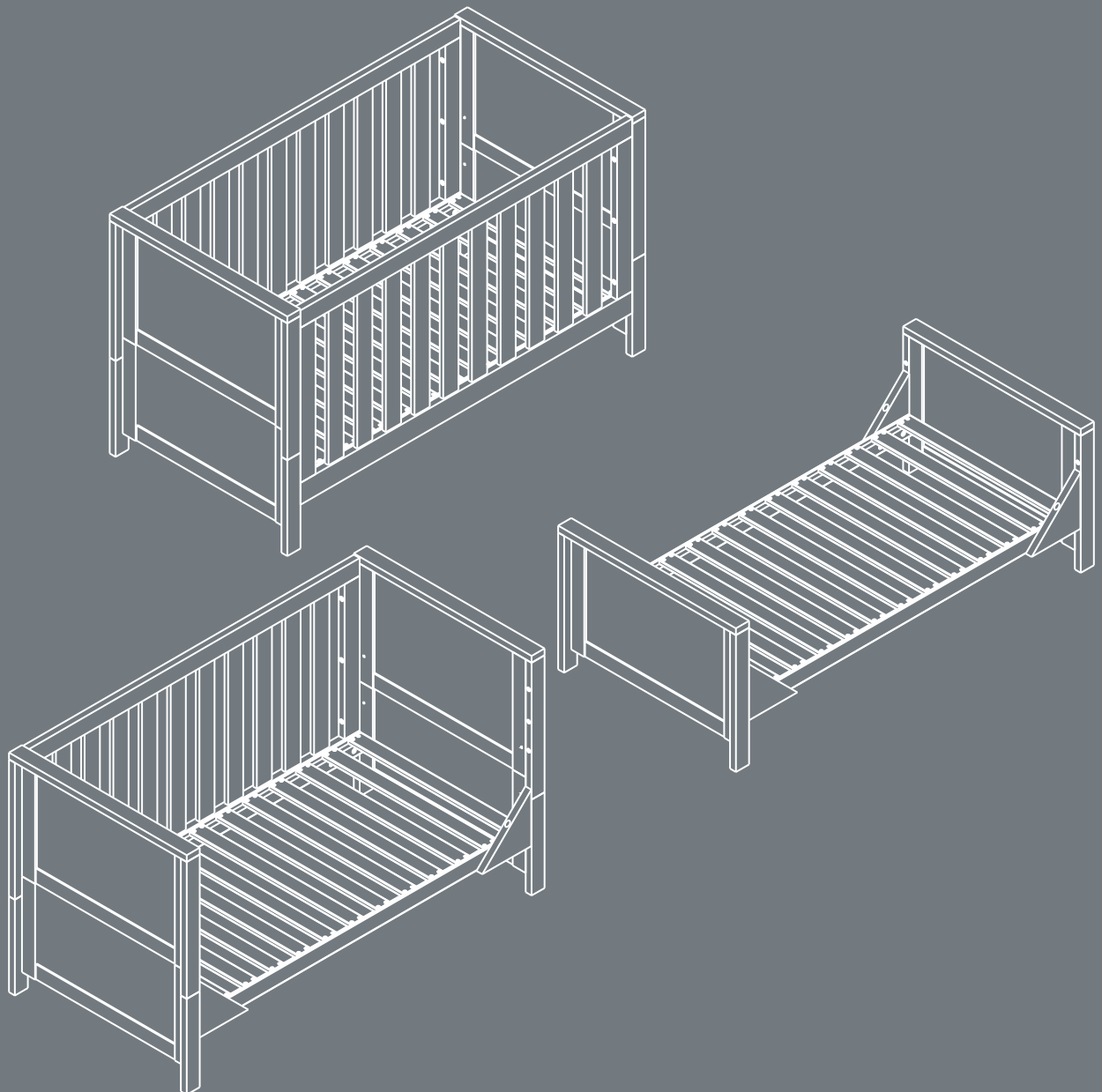
IMPORTANT: RETAIN FOR FUTURE REFERENCE,
READ CAREFULLY

Designed to conform to AS/NZS 2172:2013 and CPN No.6 of 2005
Il Tutto International.PO Box 616 South Melbourne VIC 3205.
t: 1300 780 548
e: hello@iltutto.com
www.iltutto.com.au

Tivoli

Cot Bed

211063



IMPORTANT: RETAIN FOR FUTURE REFERENCE,
READ CAREFULLY

Hello,

PLEASE READ THIS LEAFLET BEFORE ASSEMBLY

Dear Customer,

Thank you for buying Tutti Bambini furniture. Follow the instructions carefully and check that you have all the elements including the fittings before attempting assembly. If there are any missing or damaged parts, please inform us before you start the assembly. Please note that incorrect assembly of your furniture will not be a basis for a claim against the product being damaged.

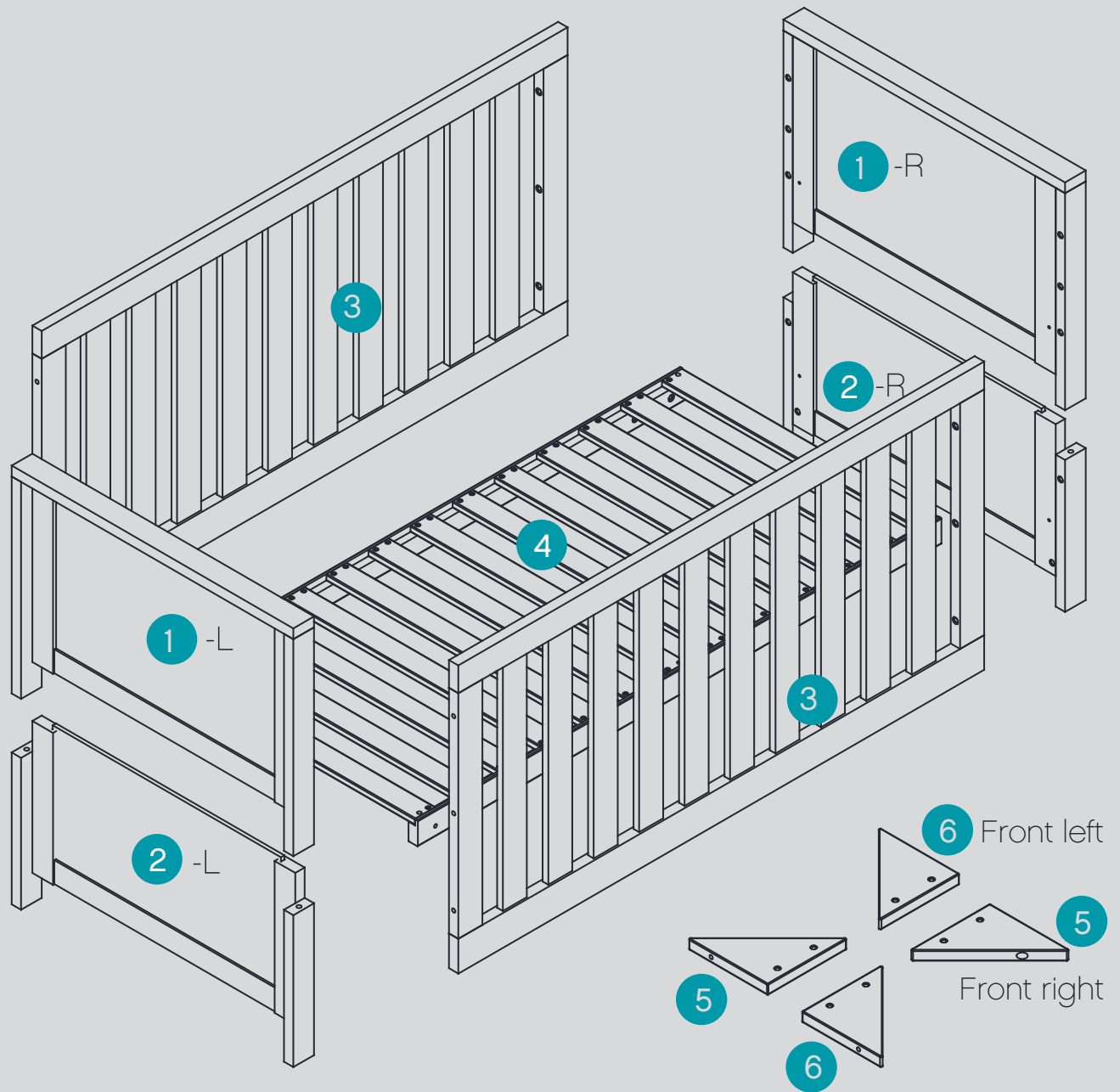
In the unlikely event that your furniture is found to be faulty, we ask that you send an email to: hello@iltutto.com with the following information

- Name
- Postcode
- Contact telephone number
- Sales order number
- Product name & colour
- Damaged part number
- A photo or video of the damaged part




Tutti Bambini guarantee your product against faulty manufacture for a period of 12 months from date of receipt of purchase. This does not affect your statutory rights



Team Tutti

Parts List



Hardware List

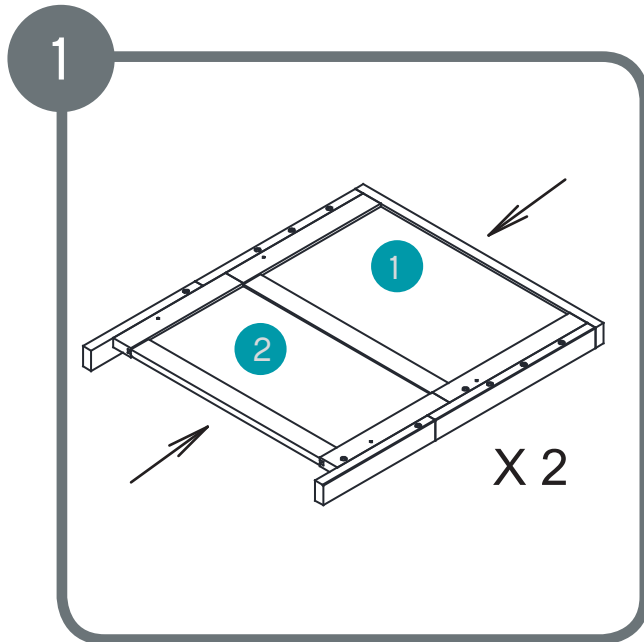
ID# A	 M6x80mm	Qty 12 PC
ID# B	 M6x60mm	Qty 4 PC
ID# C	 M6x40mm	Qty 8 PC

ID# D		Qty 1 PC
ID# E		Qty 4 PC

Assembling into cot



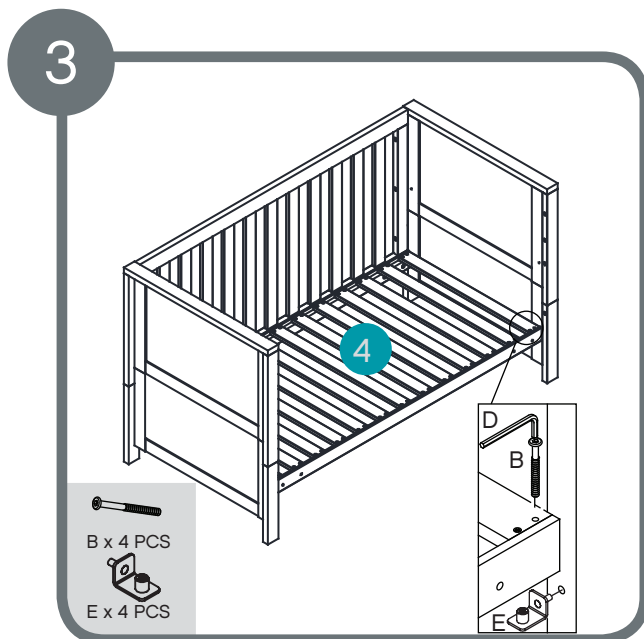
Recommend for 2 people to assemble



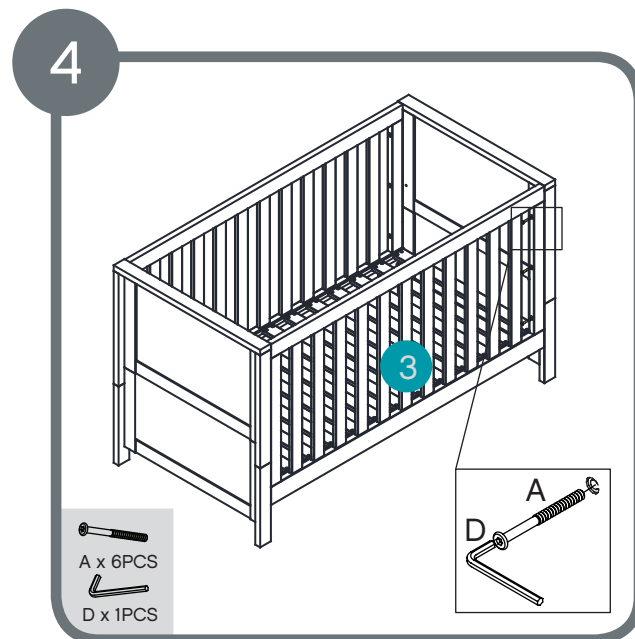
Assemble cot end



Assemble side using 6 x A bolts



Assemble mattress using 4 x B bolts with 4 x E mattress base support

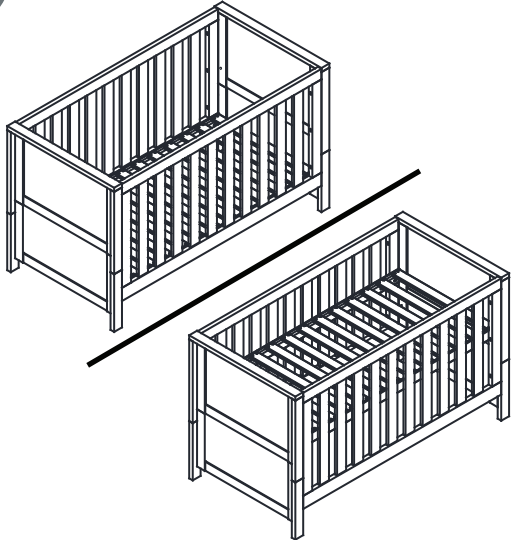


Assemble side using 6 x A bolts

Assembling into cot



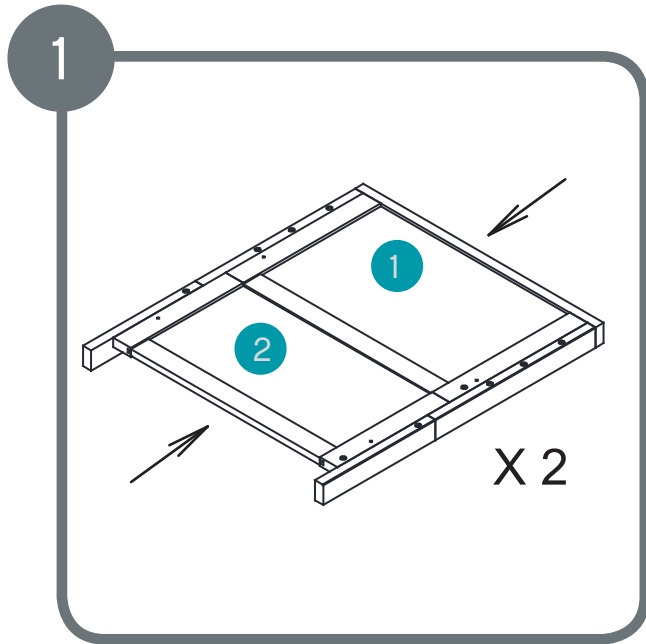
5



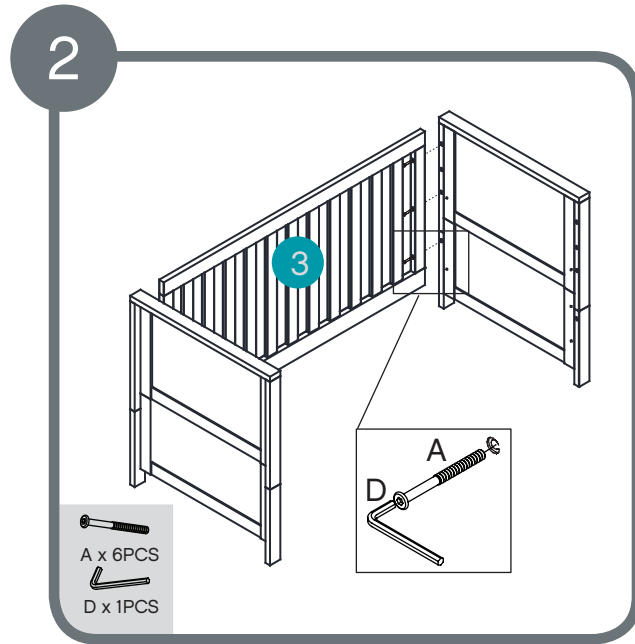
IMPORTANT NOTE: The bottom mattress base position is the safest. You should always use the cot in this lowest position as soon as your baby is old enough to sit up



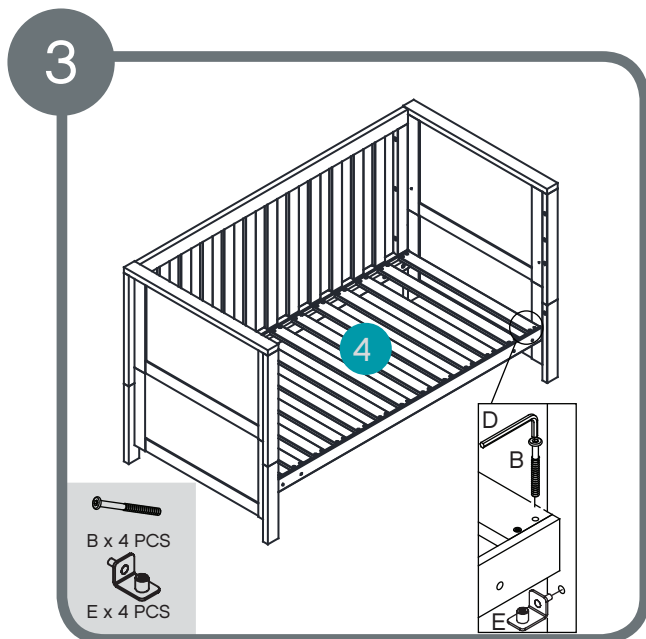
Assembling into sofa



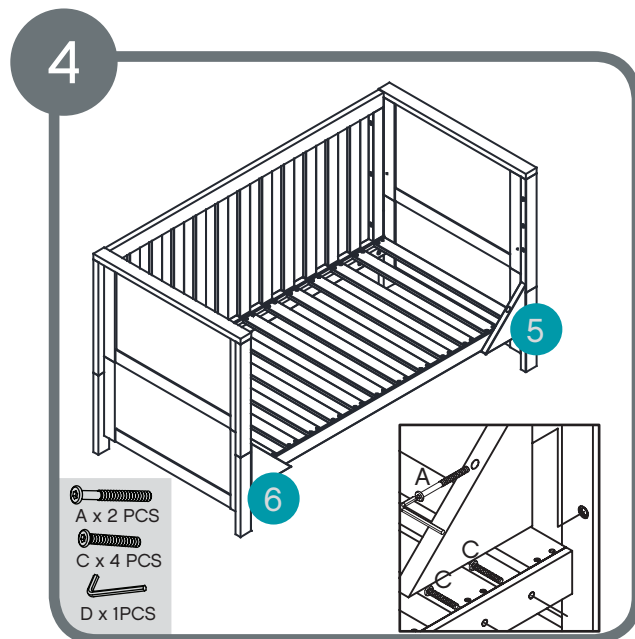
Assemble cot end



Assemble side using 6 x A bolts

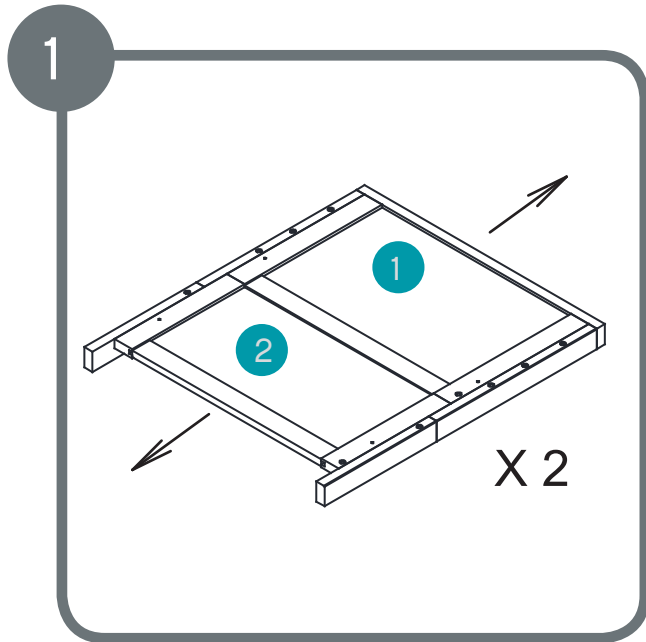
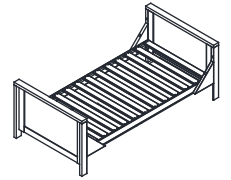


Assemble mattress using 4 x B bolts with 4 x E mattress base support

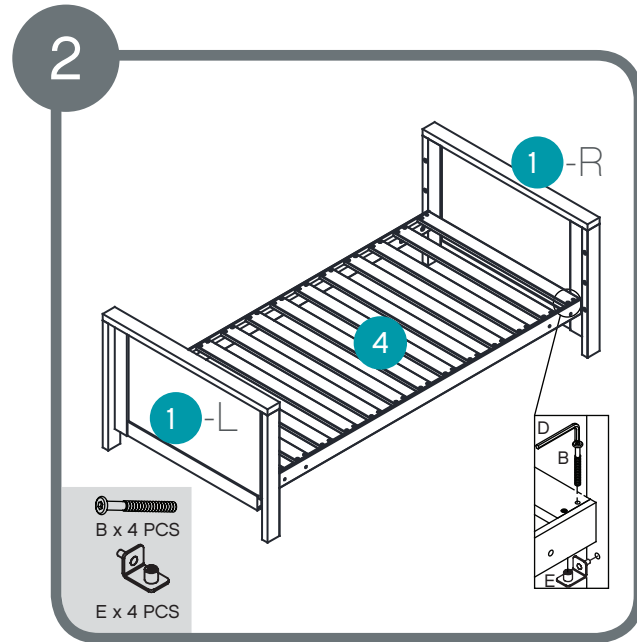


Assemble triangle braces support using 2 x A bolts and 4 x C bolts

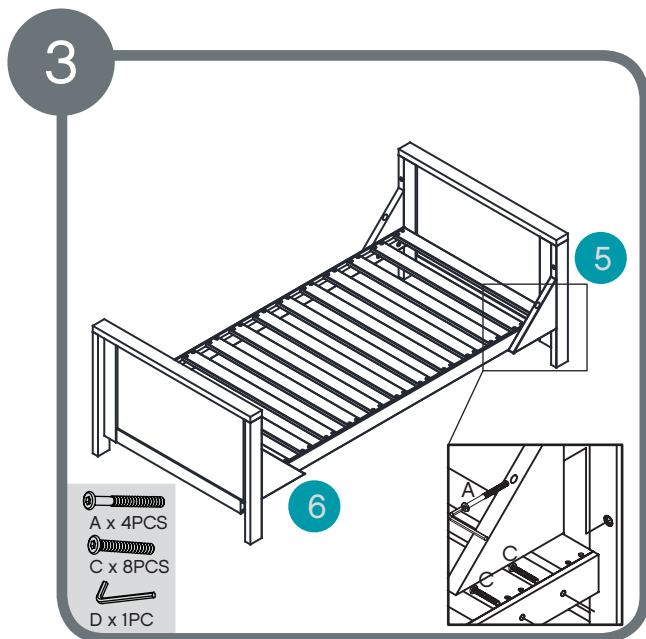
Assembling in to bed



Assemble cot end



Assemble mattress using 4 x B bolts with 4 x E mattress base support



Assemble triangle braces support using 4 x A bolts and 8 x C bolts

Safety advice and maintenance

IMPORTANT! KEEP FOR FUTURE REFERENCE: READ CAREFULLY

1. WARNING: Never leave your child unattended. The safety of your child is your responsibility.
2. WARNING: TO PREVENT FALLS, THE MATTRESS BASE OF THIS COT SHOULD BE ADJUSTED TO THE LOWEST POSITION BEFORE THE CHILD CAN SIT UP.
II TUTTO INTERNATIONAL PTY LTD PO BOX 616 SOUTH MELBOURN VIC 3205
MADE IN P.R.C
3. WARNING: Do not leave anything in the cot or place the cot close to another product, which could provide a foothold or present a danger of suffocation or strangulation, e.g. strings, blind/curtain cords etc.
4. When choosing a mattress, ensure that the height between the surface of the mattress and the top edge of the cot side is at least 50cm for the lowest position and 30cm in the upper position.
5. There should never be a gap of more than 2cm between the mattress and the sides or ends of the cot.
6. Regularly check that nuts & bolts are secure or evidence of damage, which could make the bed unsafe. Loose fittings can result in snagging clothes or cords posing a risk of strangulation.
7. RECOMMENDED MATTRESS SIZE: 700MM WIDE X 1320MM LONG X 120MM THICK. The width and length are specified because it is important that the gaps between the mattress and the sides and ends of the cot will not exceed 40 mm when the mattress is pushed to one side or end, and 20 mm when the mattress is centred in the cot. The thickness of the mattress has been specified to ensure that the depth of the cot is greater than 500 mm with the mattress base in the lower position to minimize the risk of a child climbing or falling out of the cot.
8. WARNING: TO PREVENT FALLS, THE MAXIMUM MATTRESS THICKNESS SHOULD NOT EXCEED 120MM.
9. Follow the assembly instruction strictly in detail to ensure the safety features of the cot are not compromised.
10. Place the cot at a reasonable distance from curtains, blinds, heaters and power points.
11. Keep medication, string, elastic, small toys or small items, such as money, out of reach from any position in the cot.
12. Clean with a damp cloth. Do not use abrasives or bleach.
13. WARNING: Do not use the cot if any part is broken, torn or missing and use only spare parts approved by Tutti Bambini.
14. To prevent child injury from falls, the cot should not be used when a child can climb out from the cot.
15. Excessive Chewing may damage the wood and cause splintering. If any part is damaged, stop using the cot until the correct part has been replaced.
16. WARNING: Be aware of the risk of open fire and other sources of strong heat, such as electric bar fires, gas fires, etc. in the near vicinity of the cot.
17. All assembly fittings should always be tightened properly and fittings should be checked regularly and re-tightened as necessary.
18. The cot is intended for use for children from birth to approximately 18 months; The child's bed is suitable for children who have outgrown the cot (approximately 18 months) up to the age of 4 years. The cot can also be used as a sofa (maximum load: 100kg.)
19. WARNING: Do not place this child's bed near heat sources, windows and other furniture.
20. Children are likely to play, bounce, jump and climb on beds, therefore the child's bed should not be placed too close to other furniture or windows, blind cords, curtain pulls or other strings or cords, and should be placed either tight to any wall or have a gap of 300mm between the wall and the side of the bed.
21. When choosing a mattress, ensure that the height between the surface of the mattress to the upper edge of the side rails is at least 500mm in the lowest position and at least 300 mm in the highest position
22. Product development dictates that components may occasionally differ from the ones shown in the diagrams of these instructions. The right to change the specifications and design of the furniture without prior notice remains with the manufacturer.
23. This cot bed is designed to be dismantled for storage or transportation.
24. Any additional or replacement parts are obtained from the Tutti Bambini or its distributor.

Guarantee

All our products are produced from the finest quality materials and are manufactured under the strictest quality controls. We guarantee all our products or parts thereof against faulty manufacture for a period of one year from the date of purchase. This guarantee is not effective against accidental damage or damage caused by incorrect use or neglect. This does not affect your statutory rights.

This product has been designed to conform to AS/NZS 2172:2013 and CPN No.6 of 2005

Join Us



Follow us on Facebook
TuttiBambiniUK



Follow us on Twitter
TuttiBambiniUK



Follow us on Instagram
TuttiBambiniUK

TUTTI
bambini 

www.iltutto.com.au