

Fuori

Chest Changer



IMPORTANT:RETAIN FOR FUTURE REFERENCE.
READ CAREFULLY
Assembly Instructions

Conforms to AS/NZS 4935:2009+A1:2013
Il Tutto International.PO Box 616 South Melbourne VIC 3205.
t: 1300 780 548
e: hello@iltutto.com
www.iltutto.com.au

Fuori

Chest Changer

211466



IMPORTANT:RETAIN FOR FUTURE REFERENCE.
READ CAREFULLY

Hello,

PLEASE READ THIS LEAFLET BEFORE ASSEMBLY

Dear Customer,

Thank you for buying Tutti Bambini furniture. Follow the instructions carefully and check that you have all the elements including the fittings before attempting assembly. If there are any missing or damaged parts, please inform us before you start the assembly. Please note that incorrect assembly of your furniture will not be a basis for a claim against the product being damaged.

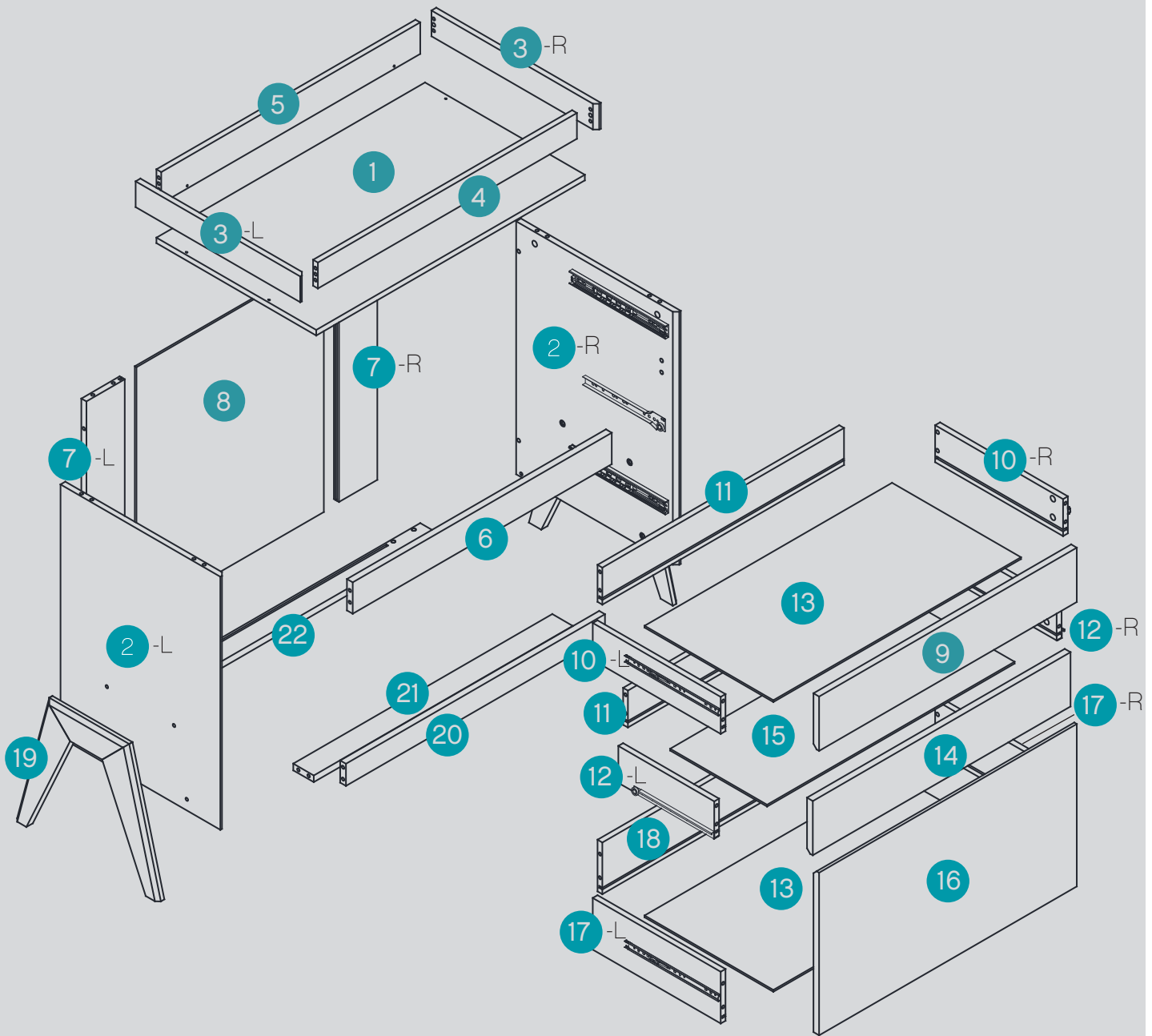
In the unlikely event that your furniture is found to be faulty, we ask that you send an email to: hello@iltutto.com with the following information

- Name
- Postcode
- Contact telephone number
- Sales order number
- Product name & colour
- Damaged part number
- A photo or video of the damaged part





Tutti Bambini guarantee your product against faulty manufacture for a period of 12 months from date of receipt of purchase. This does not affect your statutory rights

Team Tutti

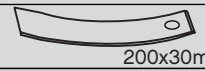

Parts List



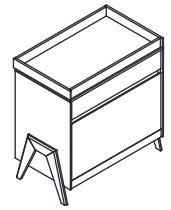
Hardware List

| | | |
|-----|---|-------|
| ID# |  1pc for replacement | Qty |
| A | 6.5x40mm | 59 pc |
| ID# |  2pc for replacement | Qty |
| B | 15x11.5mm | 60 pc |
| ID# |  Ø4x12mm | Qty |
| C | | 6 pc |
| ID# |  M6x30mm | Qty |
| D | | 8 pc |

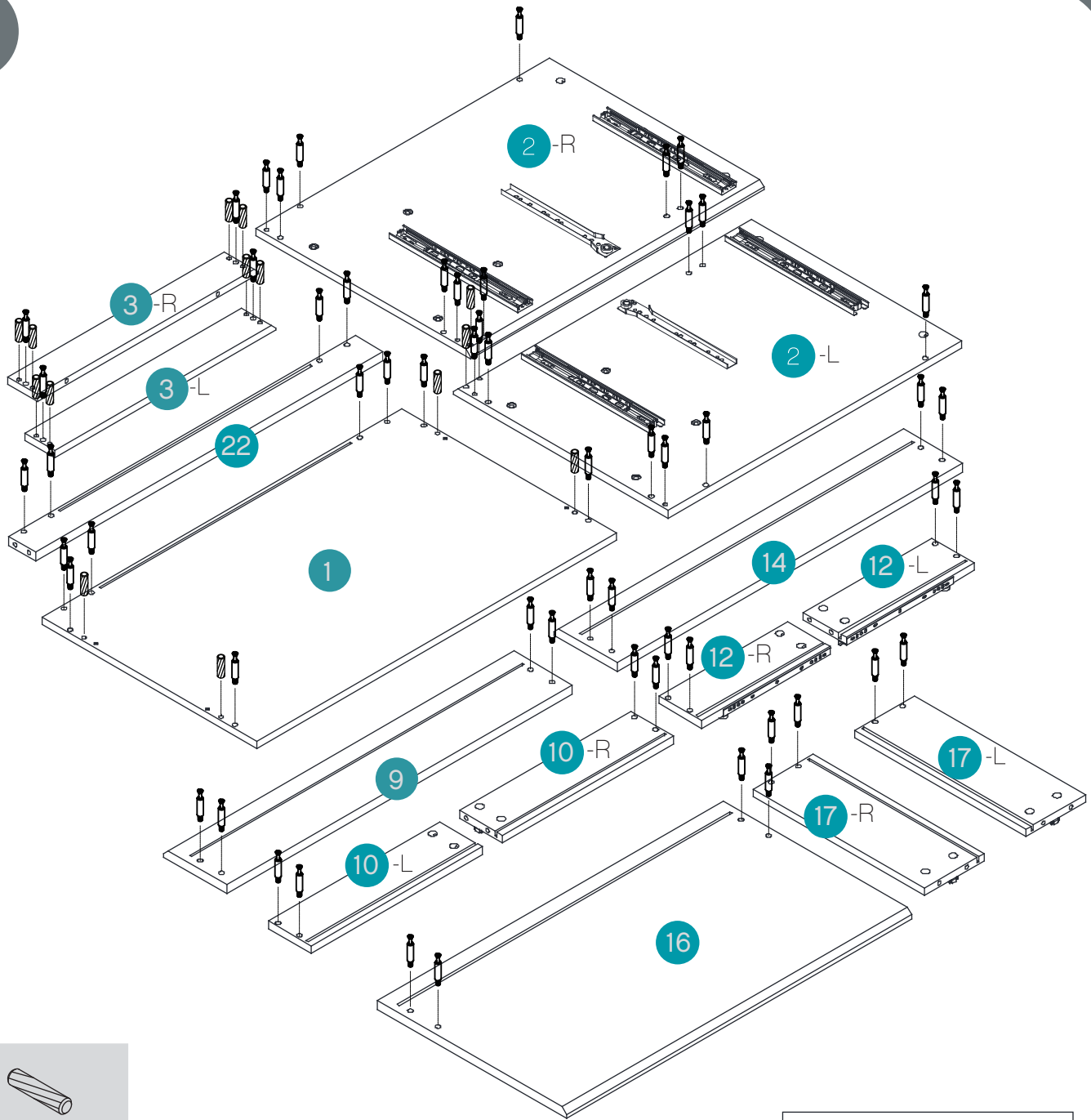
| | | |
|-----|---|-------|
| ID# |  8x40mm | Qty |
| E | | 14 pc |
| ID# |  M4x25mm | Qty |
| F | | 6 pc |
| ID# |  4x16mm | Qty |
| G | | 1 pc |
| ID# |  10/6mm | Qty |
| H | | 1 pc |

| | | |
|-----|--|------|
| ID# |  200x30mm | Qty |
| J | | 1 pc |
| ID# |  | Qty |
| K | | 1 pc |

Assembling into chest



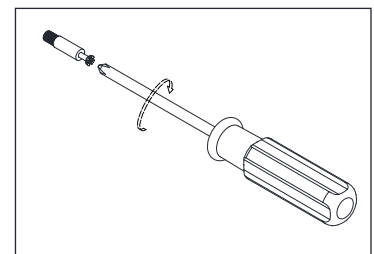
1



E x 14 PCS

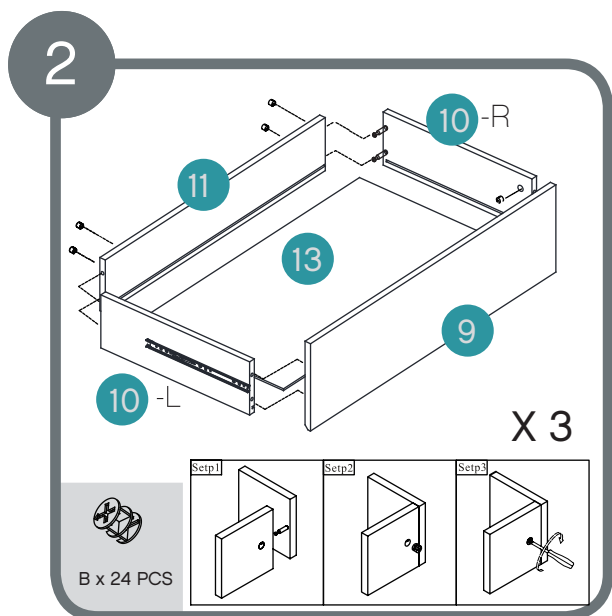
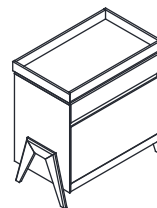


A x 58 PCS

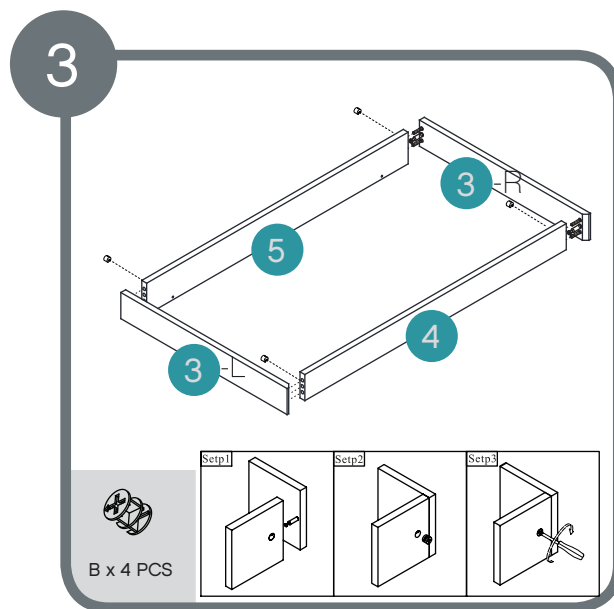


Assemble metal dowels A x 58.
Assemble wooden dowels E x 14.

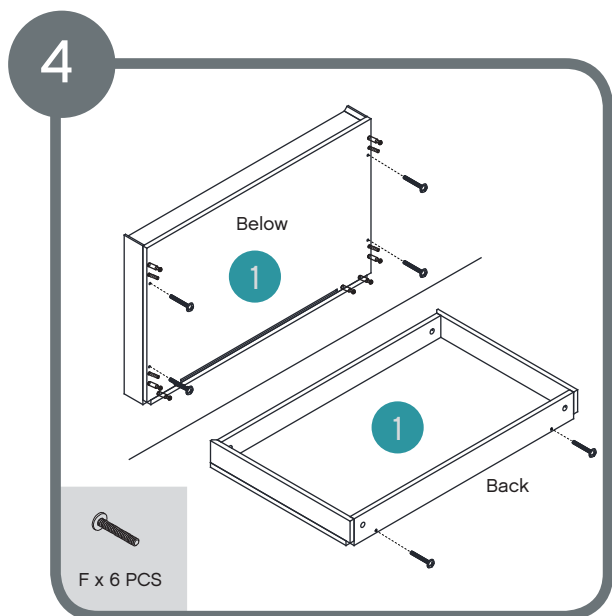
Assembling into chest



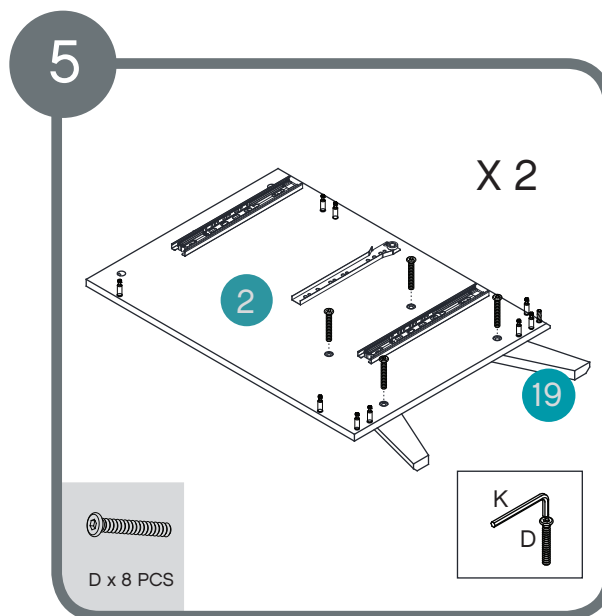
Assemble locking nuts 24 x B.



Assemble 2 short top support bars to long rails using 4 x B locking nuts

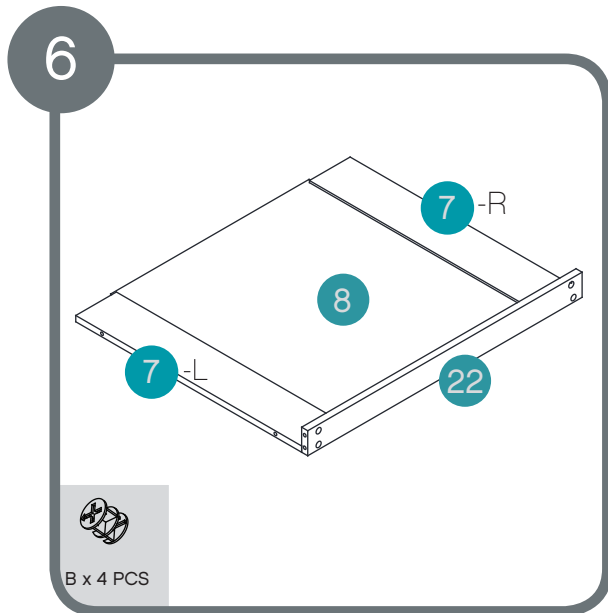
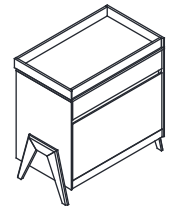


Assemble top frame to top board

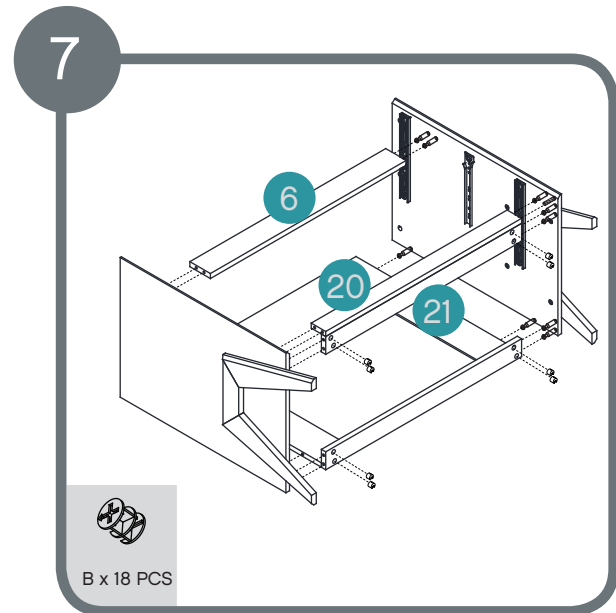


Assemble foot using 8 x D bolts

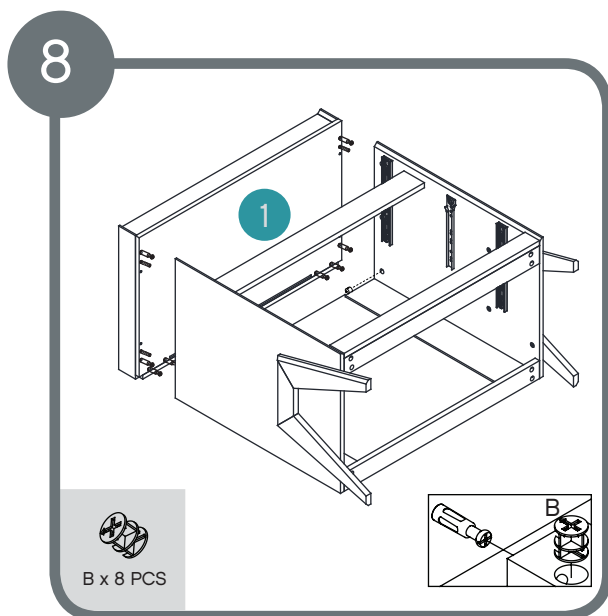
Assembling into chest



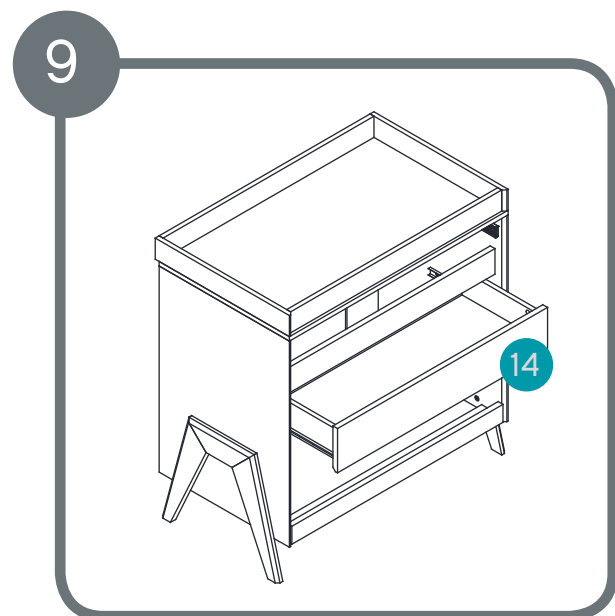
Assemble locking nuts 4 x B.



Assemble locking nuts 18 x B.

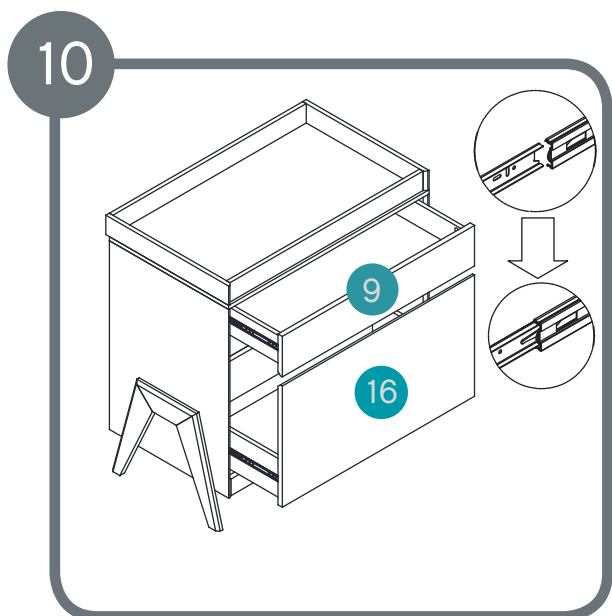
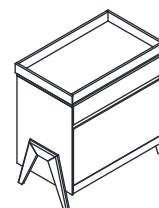


Assemble locking nuts 8 x B.
With two people, tilt chest gently to upright position

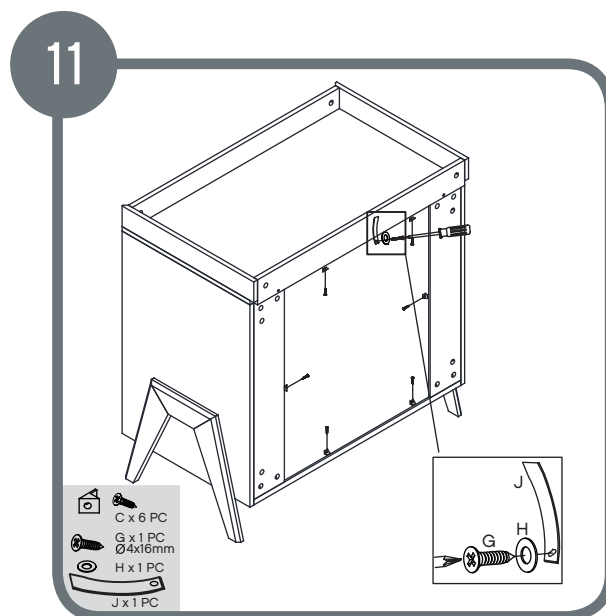


Assemble small drawer

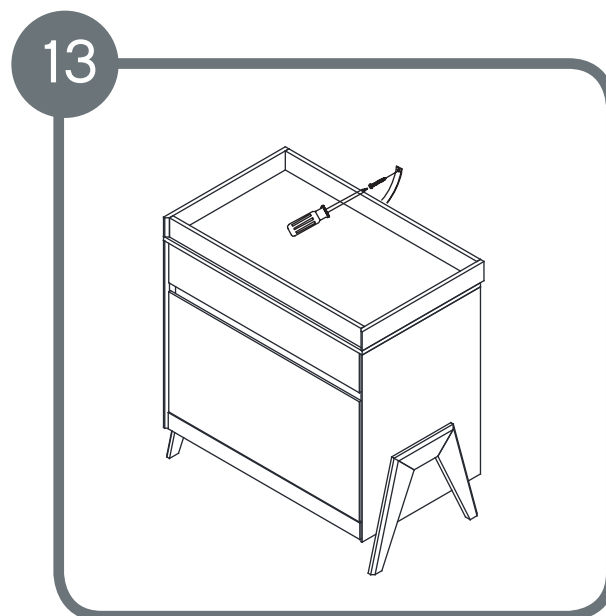
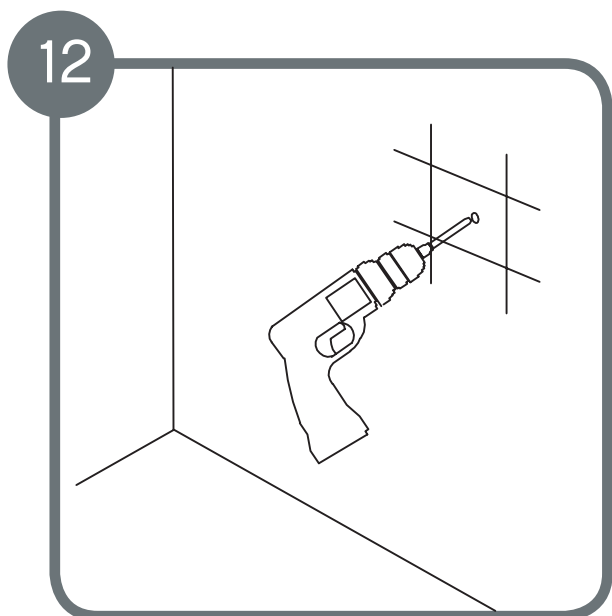
Assembling into chest



Assemble drawer



Assemble anti falling hardware G x 1, H x 1, J x 1. Assemble back panel buckle C x 6



Fittings to attach the strap to the wall are not provided and suitable fittings for the wall type should be used. Caution: The drawer is not provided with end stops that prevent it from being pulled out of the unit

Safety advice and maintenance

IMPORTANT! KEEP FOR FUTURE REFERENCE: READ CAREFULLY

1. WARNING: Never leave your child unattended. The safety of your child is your responsibility.
2. WARNING: Do not allow children to climb on the chest changer.
3. WARNING: Never leave your child unattended on the chest changer .
4. WARNING: Do not place the chest changer in or near the vicinity of open fires or other surfaces of strong heat, such as gas or electric fires.
5. Always leave the chest changer clean and dry. Wipe away any spillage straight away. The chest changer may be cleaned with a damp cloth. Do not use aggressive cleaning agents such as bleach or strong detergents.
6. Check on a regular basis that all fittings and screws are correctly tightened and are not damaged. Loose screws can pinch parts of the body and clothing resulting in the risk of strangulation.
7. Do not twist or pivot the chest changer, if it is to be moved always lift with two people.
8. A changing pad is not supplied with this chest. A changing pad no more than 475*810*20mm can be purchased from specialist baby stores and for the use of the unit as a babychanger. Changing pad within the barrier located at the top of the changer.
9. Any additional or replacement parts are obtained from the Tutti Bambini or its distributor.

Product development dictates that components may occasionally differ from the ones shown in the diagrams of these instructions. The right to change the specifications and design of the furniture without prior notice remains with the manufacturer .

WARNING

Fall Hazard :Children have suffered serious injuries after falling from changing tables. Falls can happen quickly.

- STAY in arm's reach of your child.
- Read all instructions before use of this product.
- Do not use product if it is damaged or broken.
- The baby's maximum weight for use of this product is 24lbs(11kgs).



**THIS PRODUCT SHOULD BE ANCHORED TO A WALL OR OTHER SUITABLE SURFACE TO
AVOID SERIOUS INJURY.**

This product has passed stability tests in Australian/New Zealand Standard 4935, however to further reduce the risk of serious or fatal injury, this product has been fitted with a wall strap to prevent toppling.

We strongly recommend that this product be permanently fixed to the wall or other suitable surface.

Fixing devices are not included since different surface materials require different attachments.

Please seek professional advice if you are in doubt what fixing device to use.

Join Us



Follow us on Facebook
TuttiBambiniUK



Follow us on Twitter
TuttiBambiniUK



Follow us on Instagram
TuttiBambiniUK

TUTTI
bambini 

www.iltutto.com.au